

[54] WALL LAMP

[75] Inventor: Murray C. Pfister, San Francisco, Calif.

[73] Assignee: Boyd Lighting Company, San Francisco, Calif.

[**] Term: 14 Years

[21] Appl. No.: 611,023

[22] Filed: May 16, 1984

[52] U.S. Cl. D26/87

[58] Field of Search D26/72, 75-92; 362/404, 405, 406, 407, 408, 432, 147

[56] References Cited

U.S. PATENT DOCUMENTS

D. 100,786	8/1936	Lescaze	D26/92
D. 262,660	1/1982	Fairbanks et al.	D26/88
2,478,825	8/1949	Huegel	362/432 X
3,312,815	4/1967	Woolever	362/432
4,245,284	1/1981	Moore et al.	362/432 X

OTHER PUBLICATIONS

Habitat Indoor Luminaires Dealer Net Costs catalog, 6-1978, sec. 6, Wall Bracket 6B.
Lightolier "Light Book", ©1981, p. 21, Wall Lamp 5454.

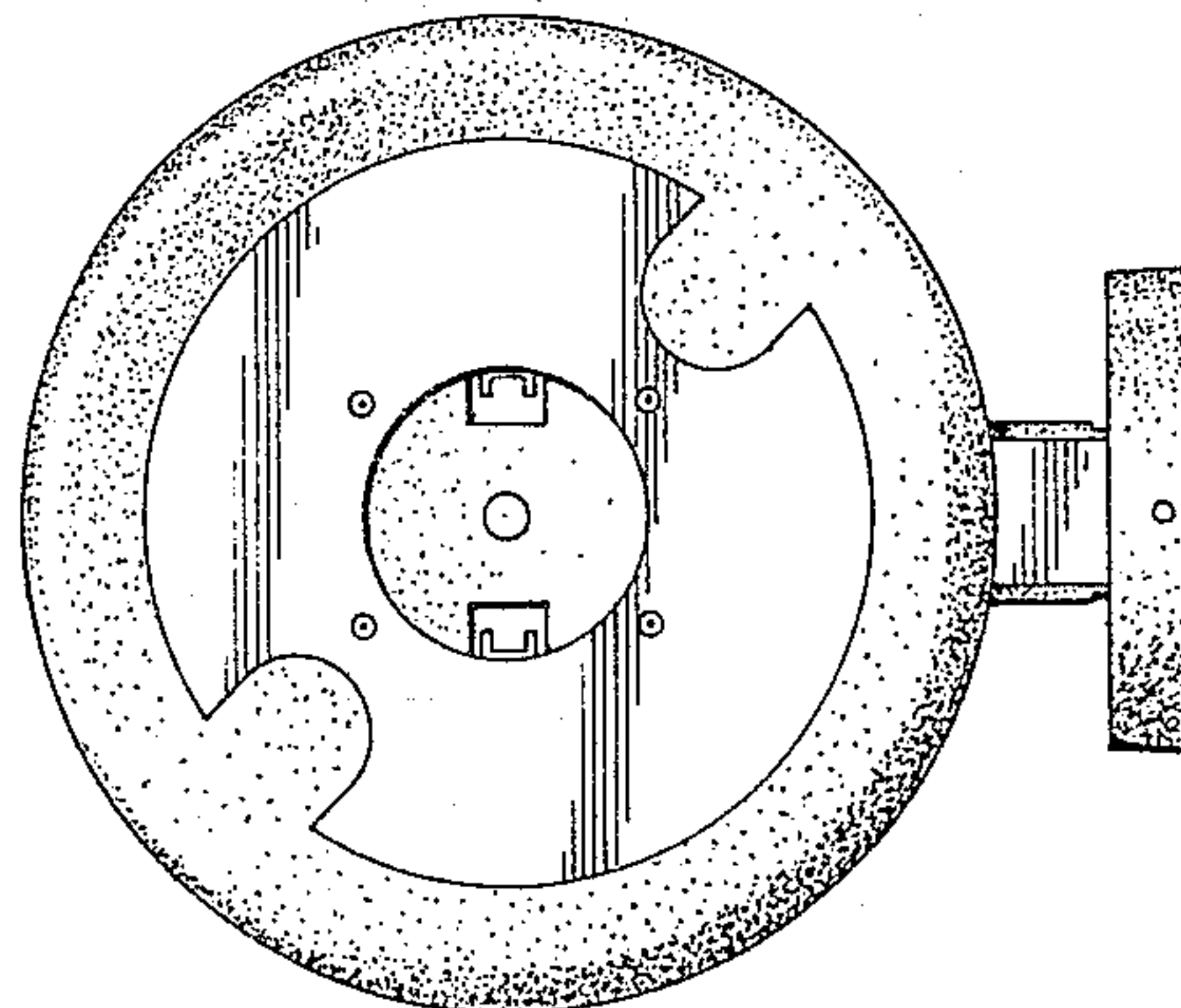
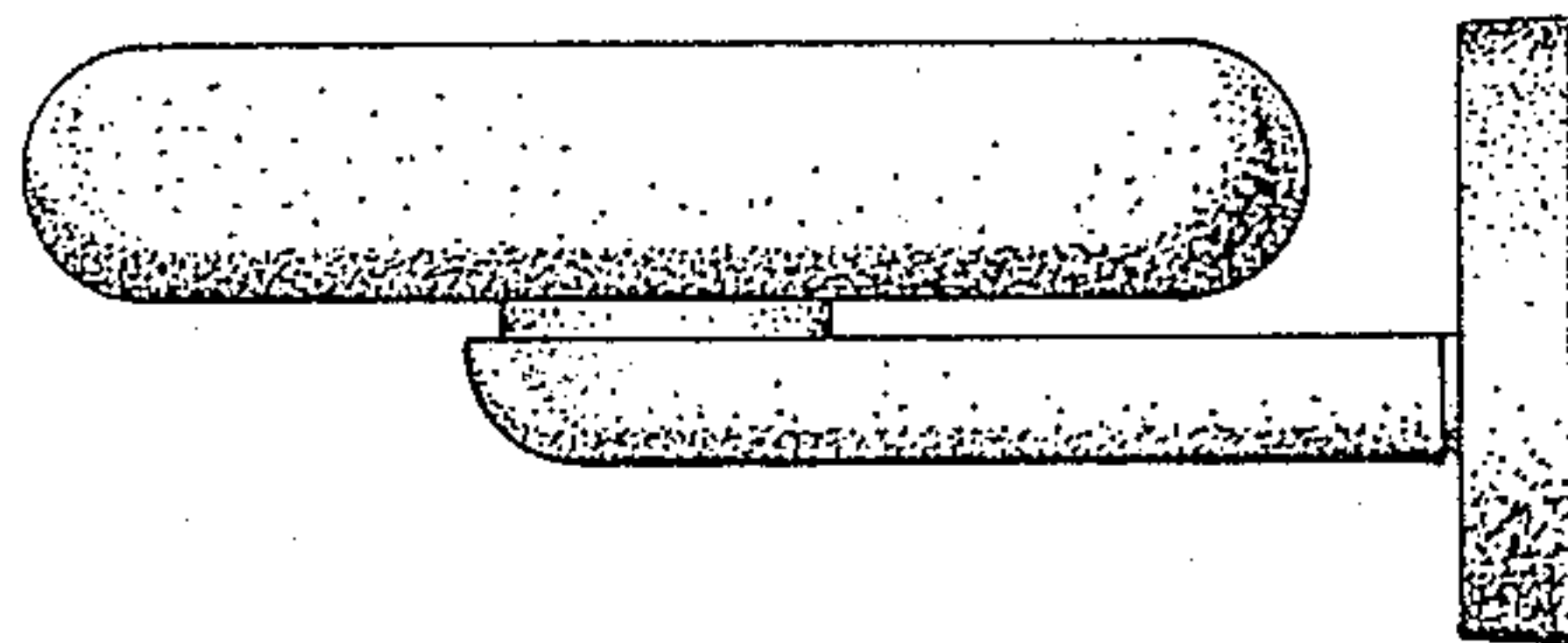
Primary Examiner—Susan J. Lucas
Attorney, Agent, or Firm—Hamrick, Hoffman, Guillot & Kazubowski

[57] CLAIM

The ornamental design for a wall lamp, substantially as shown and described.

DESCRIPTION

FIG. 1 is a side elevational view of a wall lamp showing my new design;
FIG. 2 is a top plan view thereof;
FIG. 3 is a front elevational view thereof;
FIG. 4 is a rear elevation view thereof;
FIG. 5 is a bottom plan view thereof;
FIG. 6 is a side elevational view of a second embodiment of my new design;
FIG. 7 is a top plan view of the embodiment showing in FIG. 6;
FIG. 8 is a front elevational view of the embodiment shown in FIG. 6;
FIG. 9 is a perspective view of the embodiment shown in FIGS. 1 through 5 on an enlarged scale.



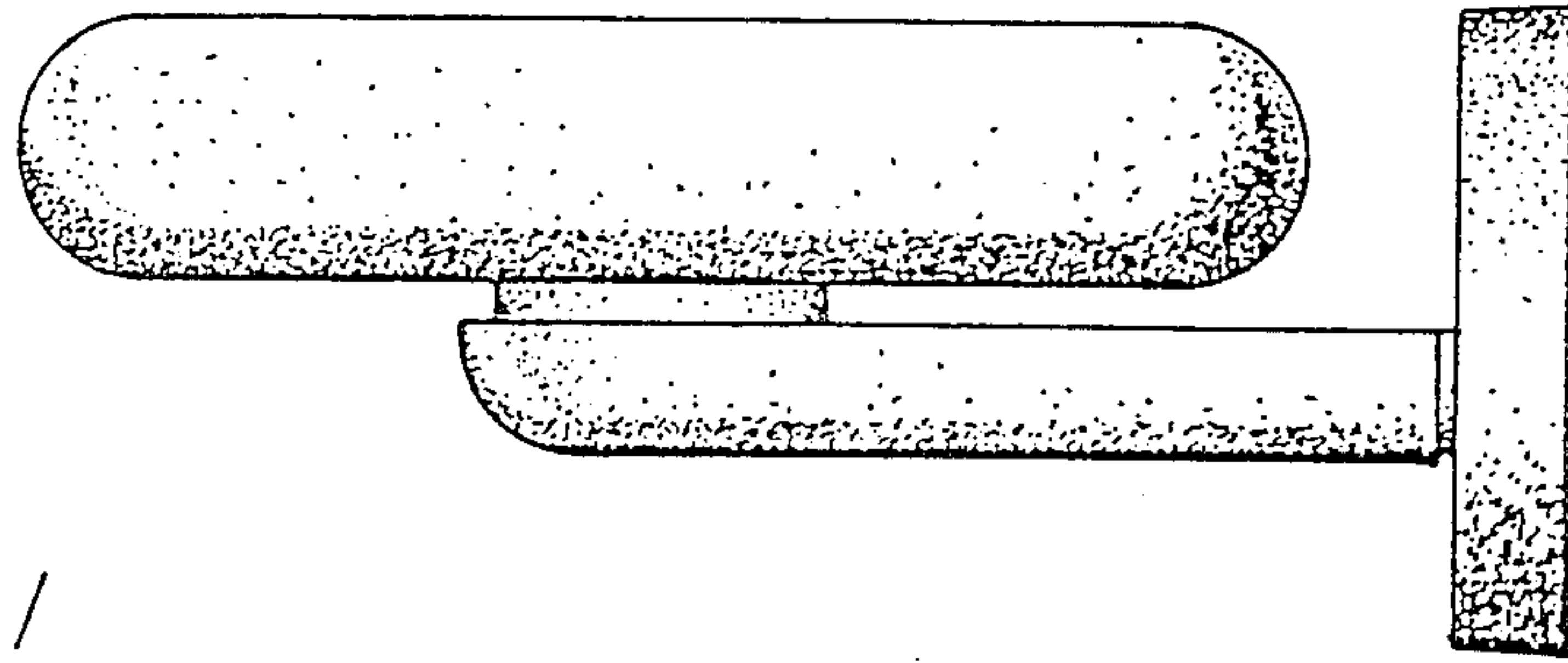


FIG. 1

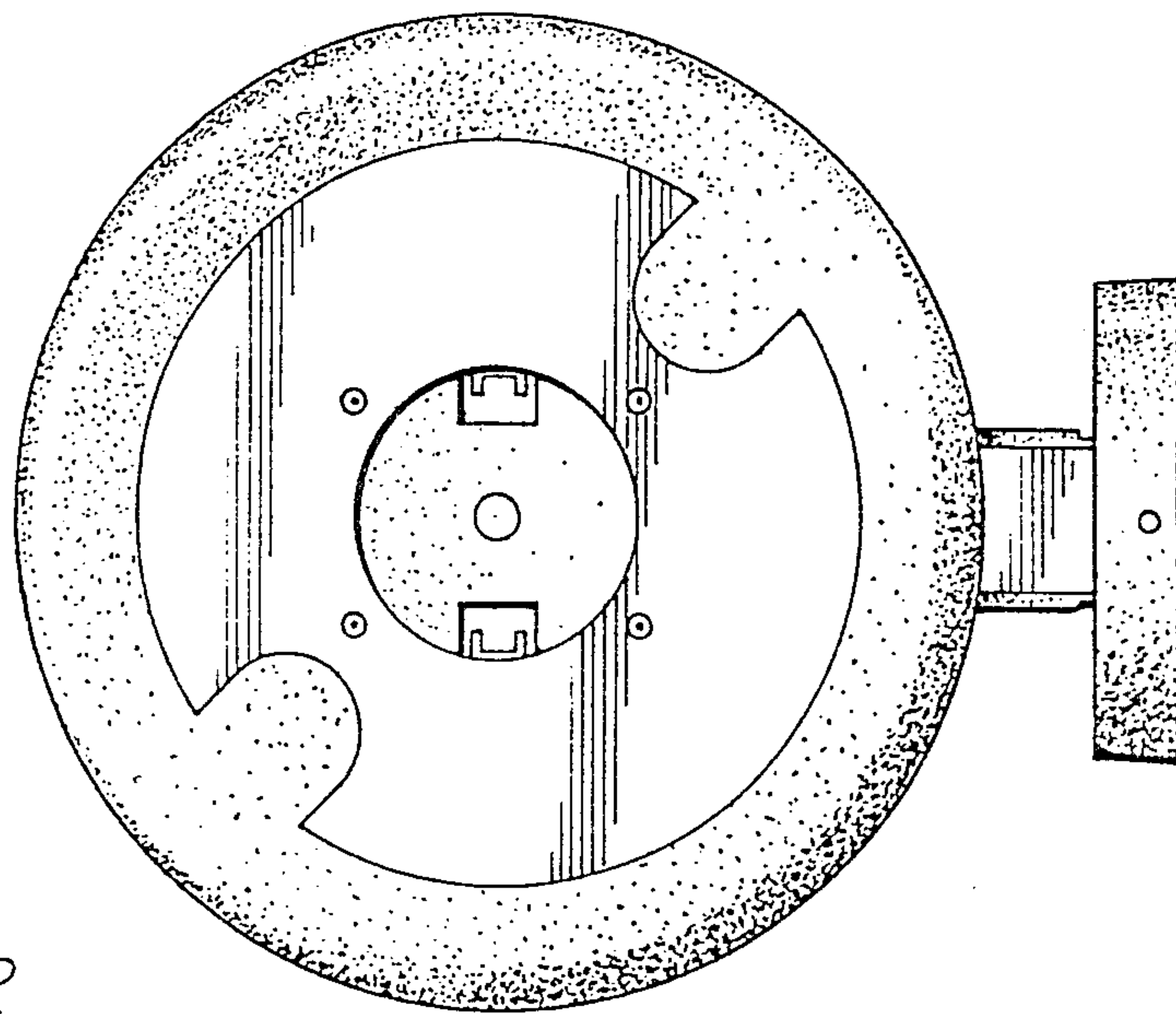


FIG. 2

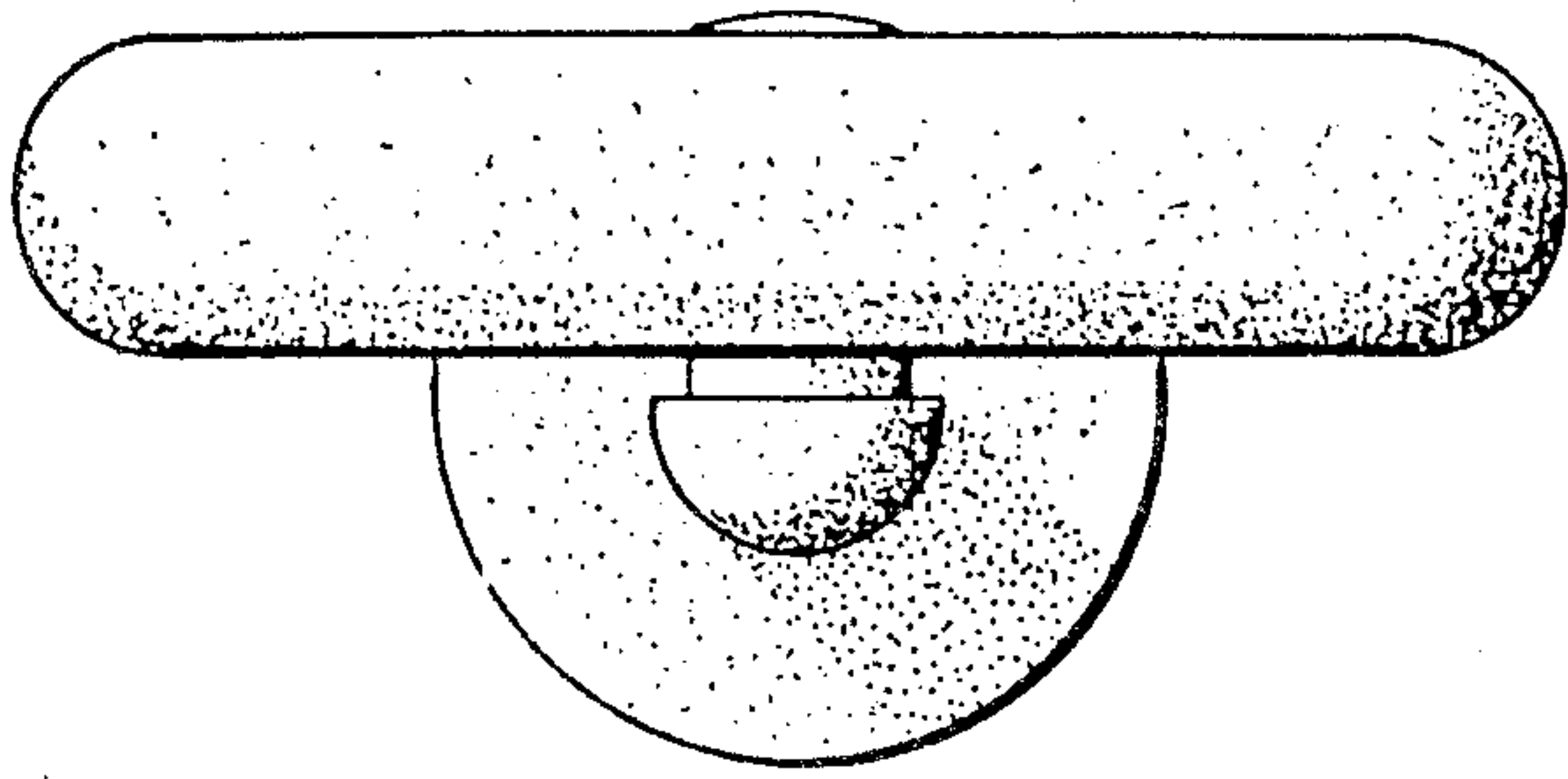


FIG. 3

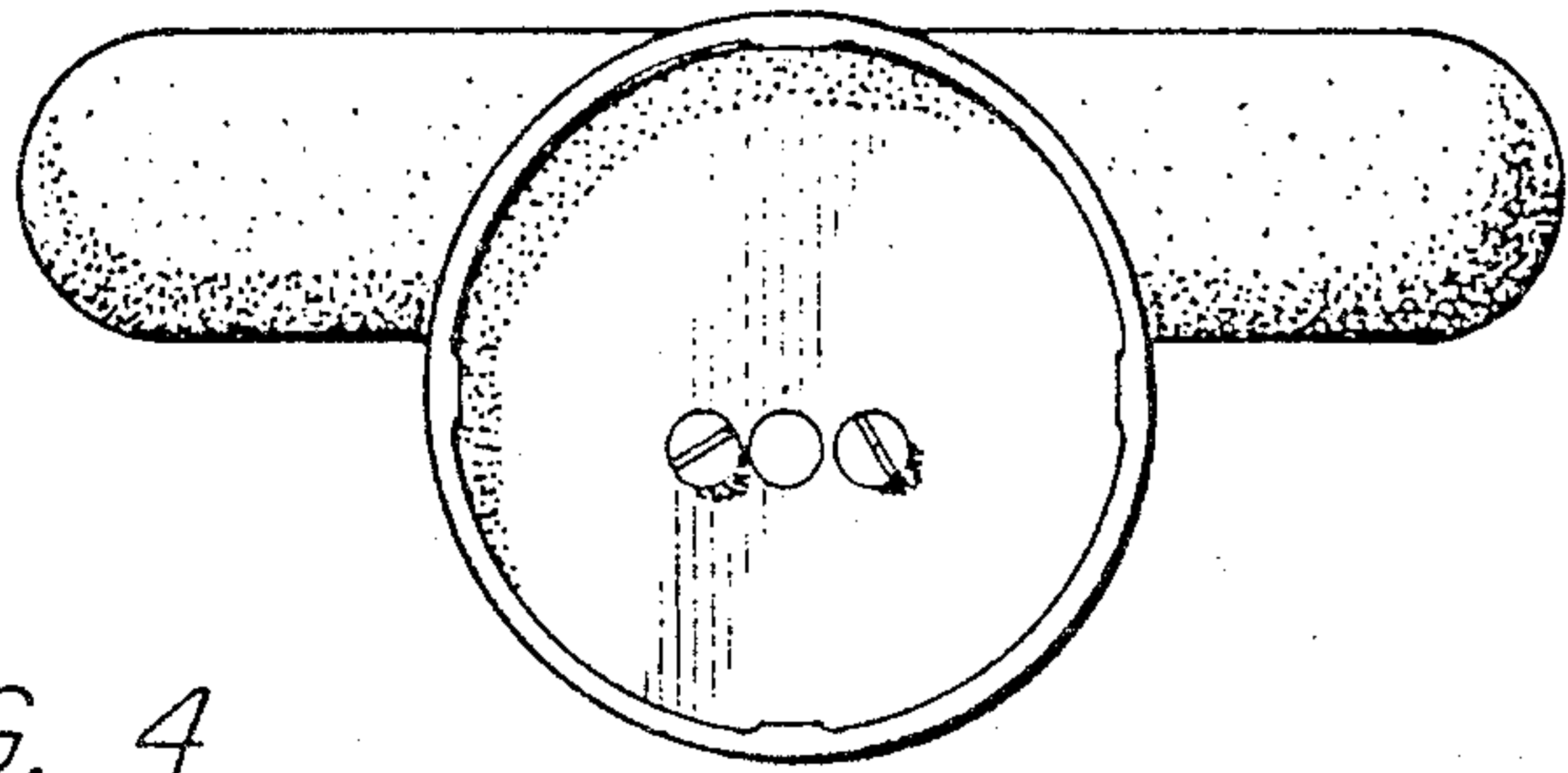


FIG. 4

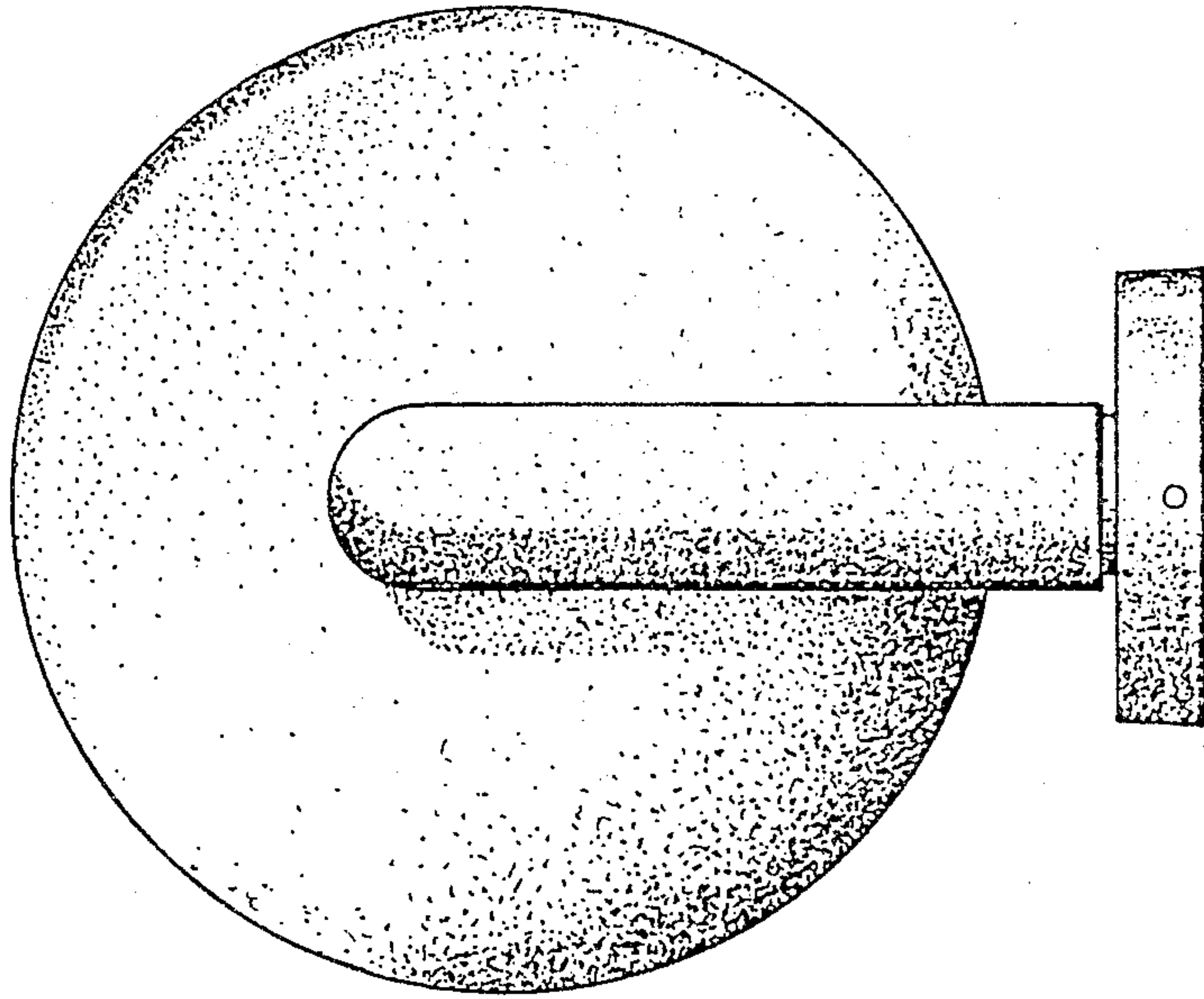


FIG. 5

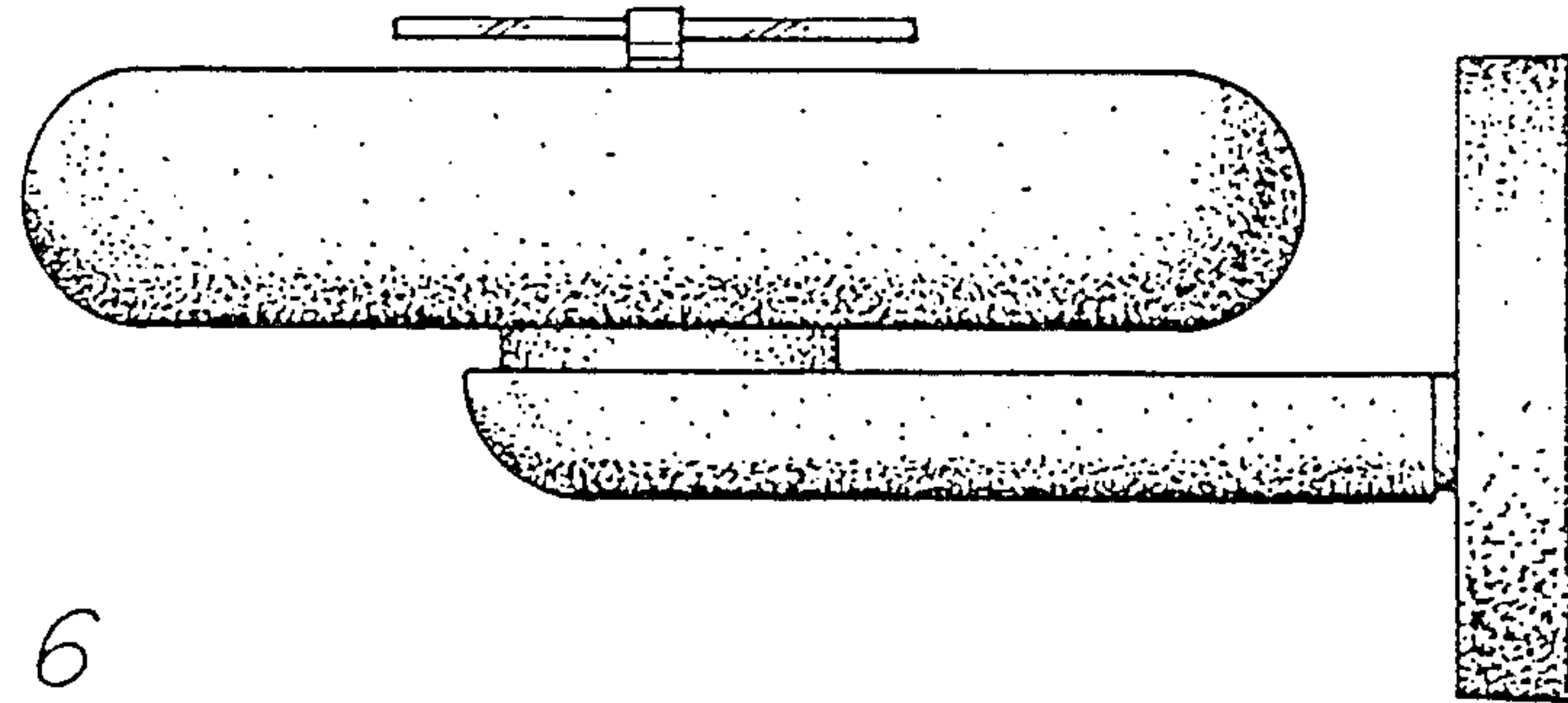


FIG. 6

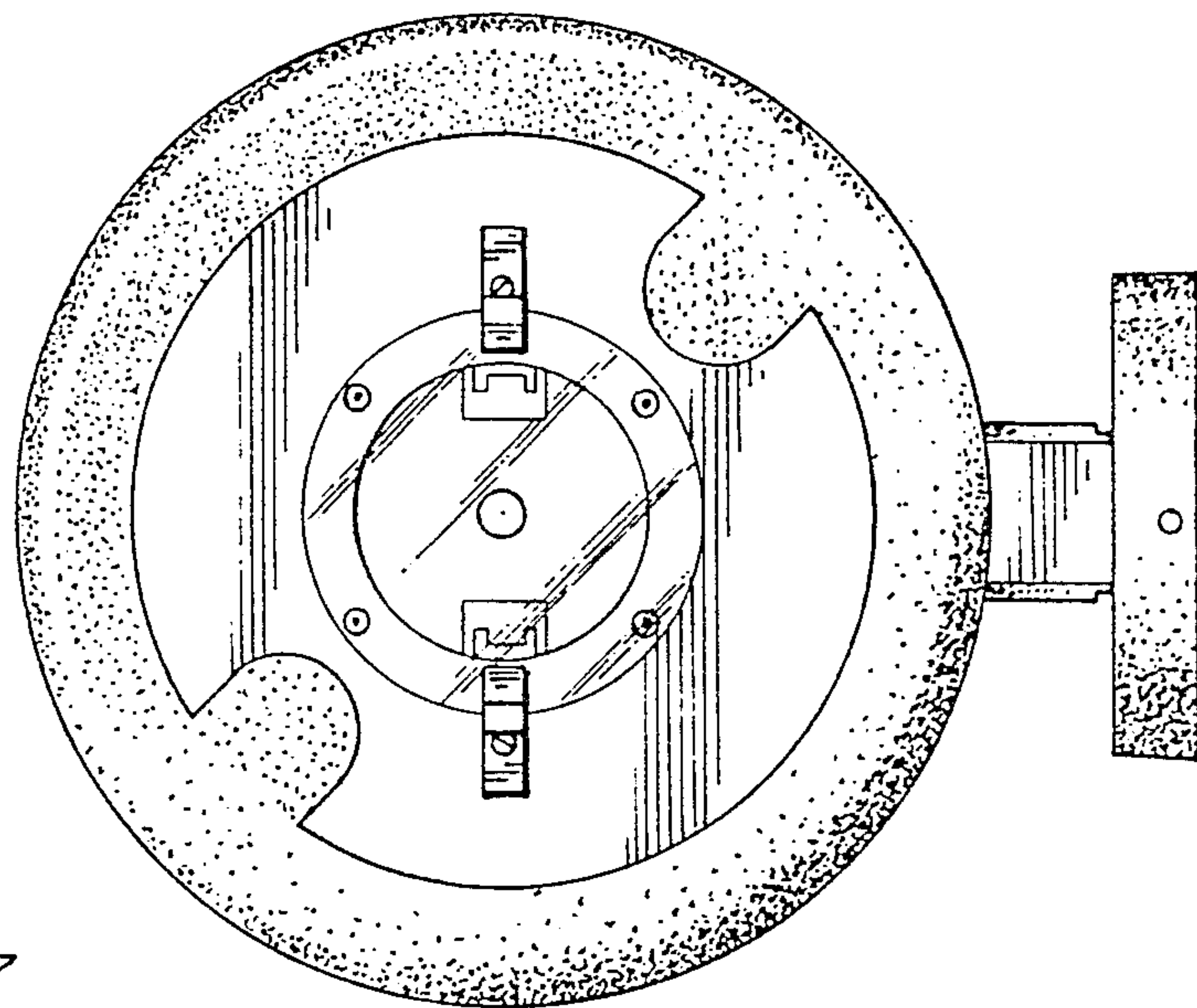


FIG. 7

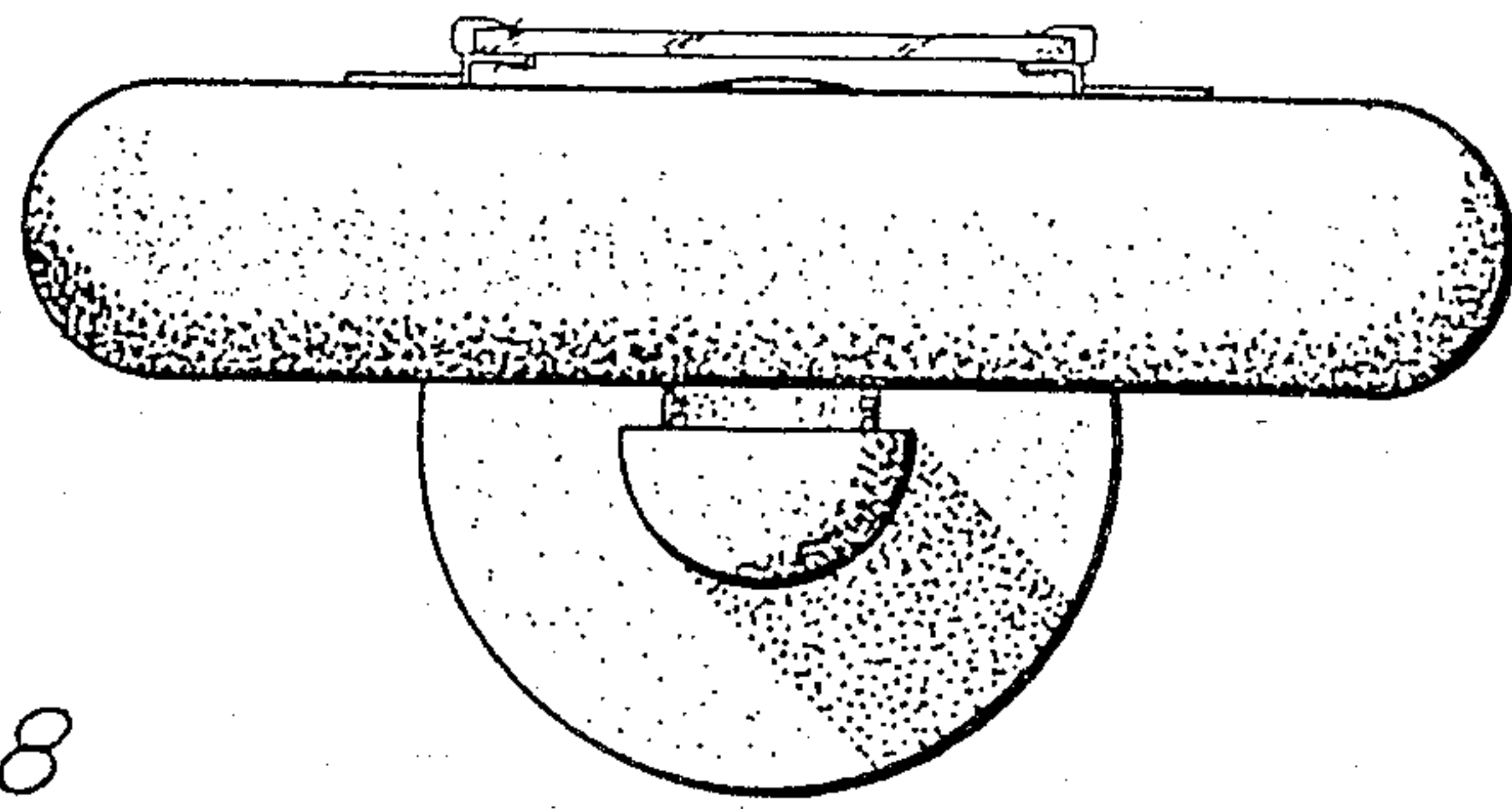


FIG. 8

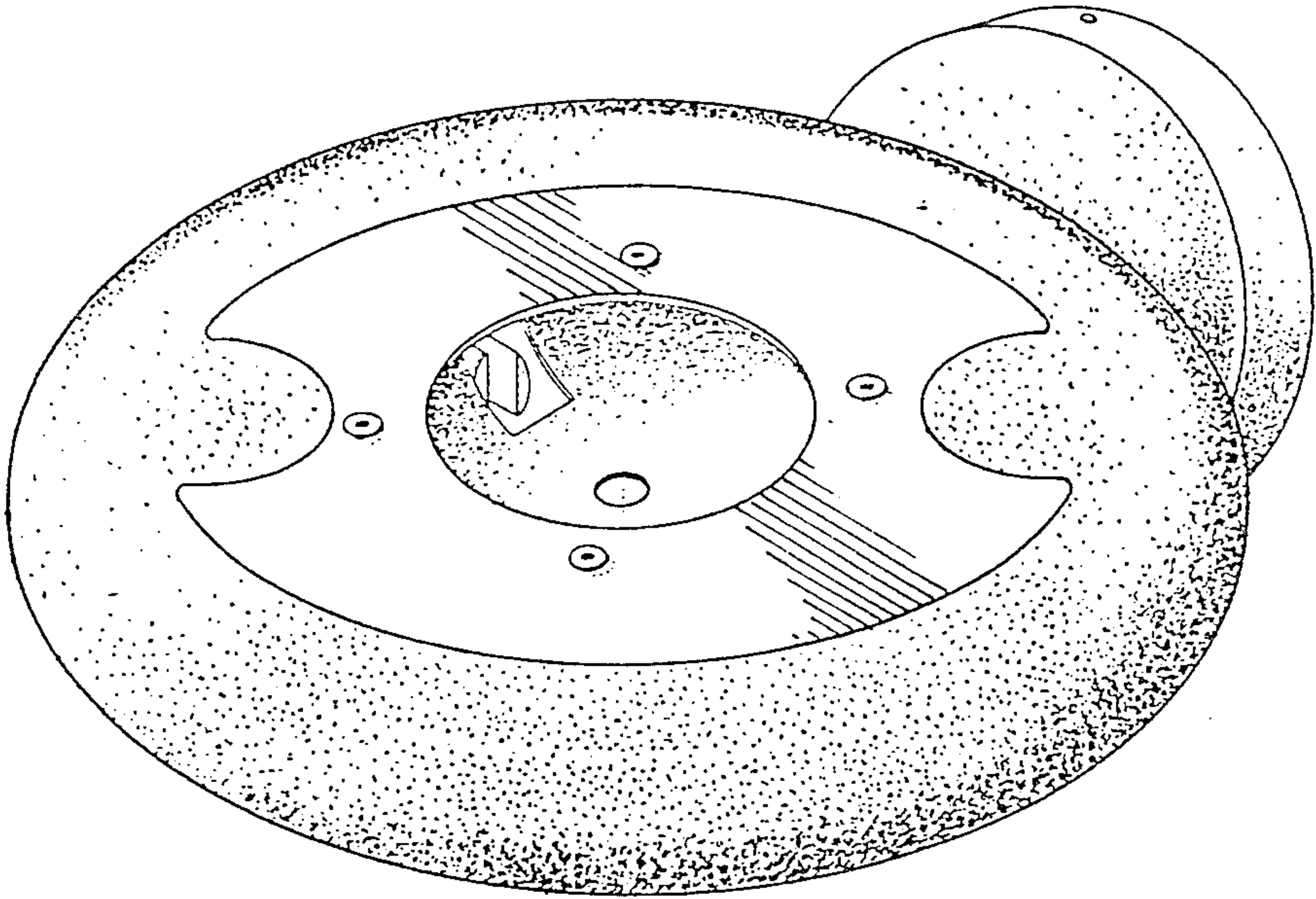


FIG. 9