

[54] NAVIGATION LIGHT

[75] Inventor: Rudiger Schmidt, Bremen, Fed. Rep. of Germany

[73] Assignee: Ahlemann & Schlatter GmbH, Fed. Rep. of Germany

[\*\*] Term: 14 Years

[21] Appl. No.: 671,743

[22] Filed: Nov. 15, 1984

[52] U.S. Cl. .... D26/28

[58] Field of Search ..... D26/61, 80, 81, 82, D26/83; 362/61, 80, 81, 82, 83, 362, 267, 307, 311, 330-340

[56] References Cited

U.S. PATENT DOCUMENTS

- D. 133,312 8/1942 Trautner ..... D26/28
- D. 183,466 9/1958 Seiss ..... D26/28

- 751,208 2/1904 Russell ..... 362/267
- 1,932,947 11/1933 Perkins ..... 362/362
- 2,375,311 5/1945 Meyers ..... 362/337 X

Primary Examiner—Susan J. Lucas  
Attorney, Agent, or Firm—Allegretti, Newitt, Witcoff & McAndrews, Ltd.

[57] CLAIM

The ornamental design for the navigation light, as shown and described.

DESCRIPTION

FIG. 1 is a perspective view of a navigation light showing my new design;  
 FIG. 2 is a top plan view of the design;  
 FIG. 3 is a left side elevational view of the design, the right side being substantially a mirror image thereof;  
 FIG. 4 is a front elevational view of the design;  
 FIG. 5 is a rear elevational view of the design;  
 FIG. 6 is a bottom plan view of the design.

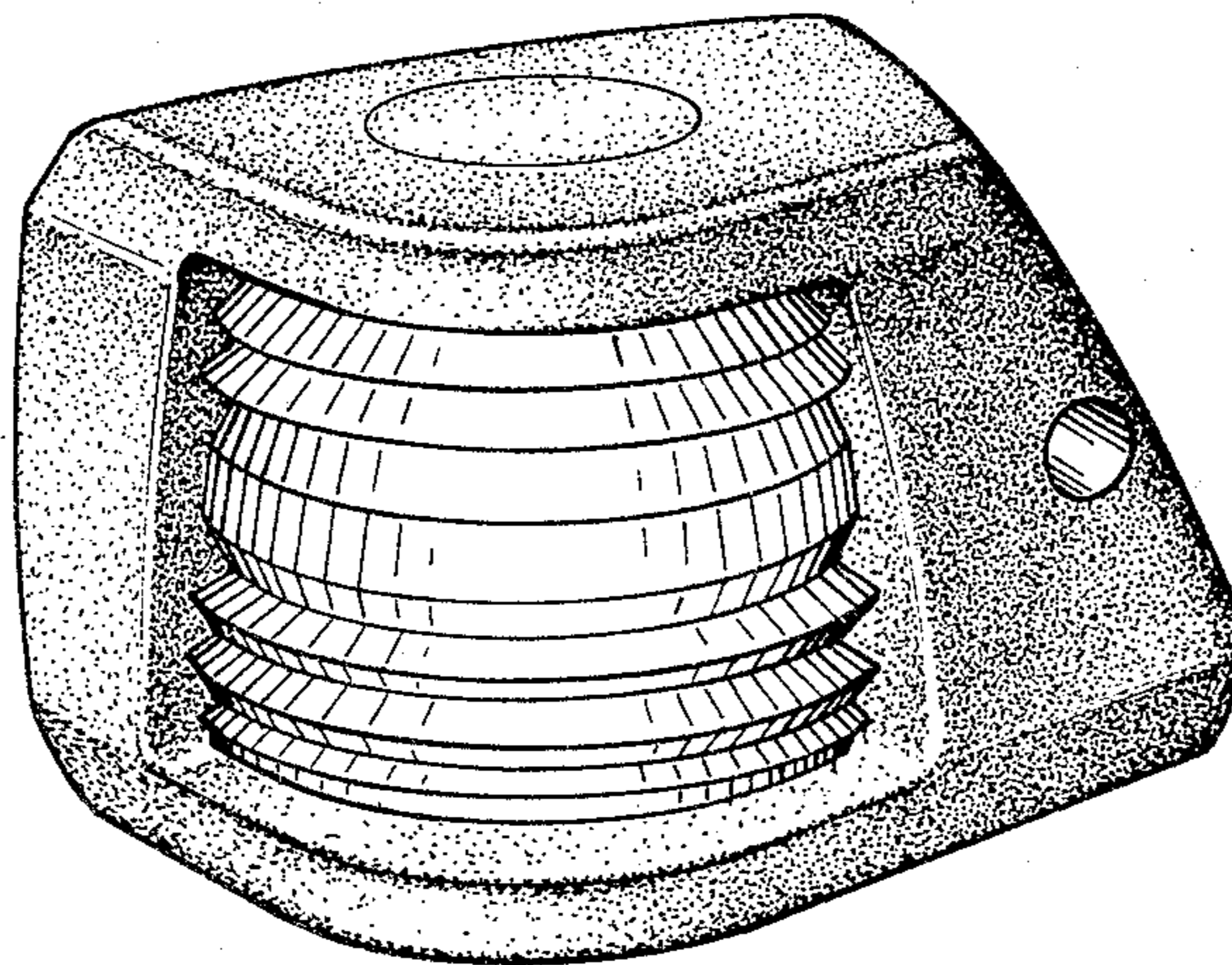


Fig. 1

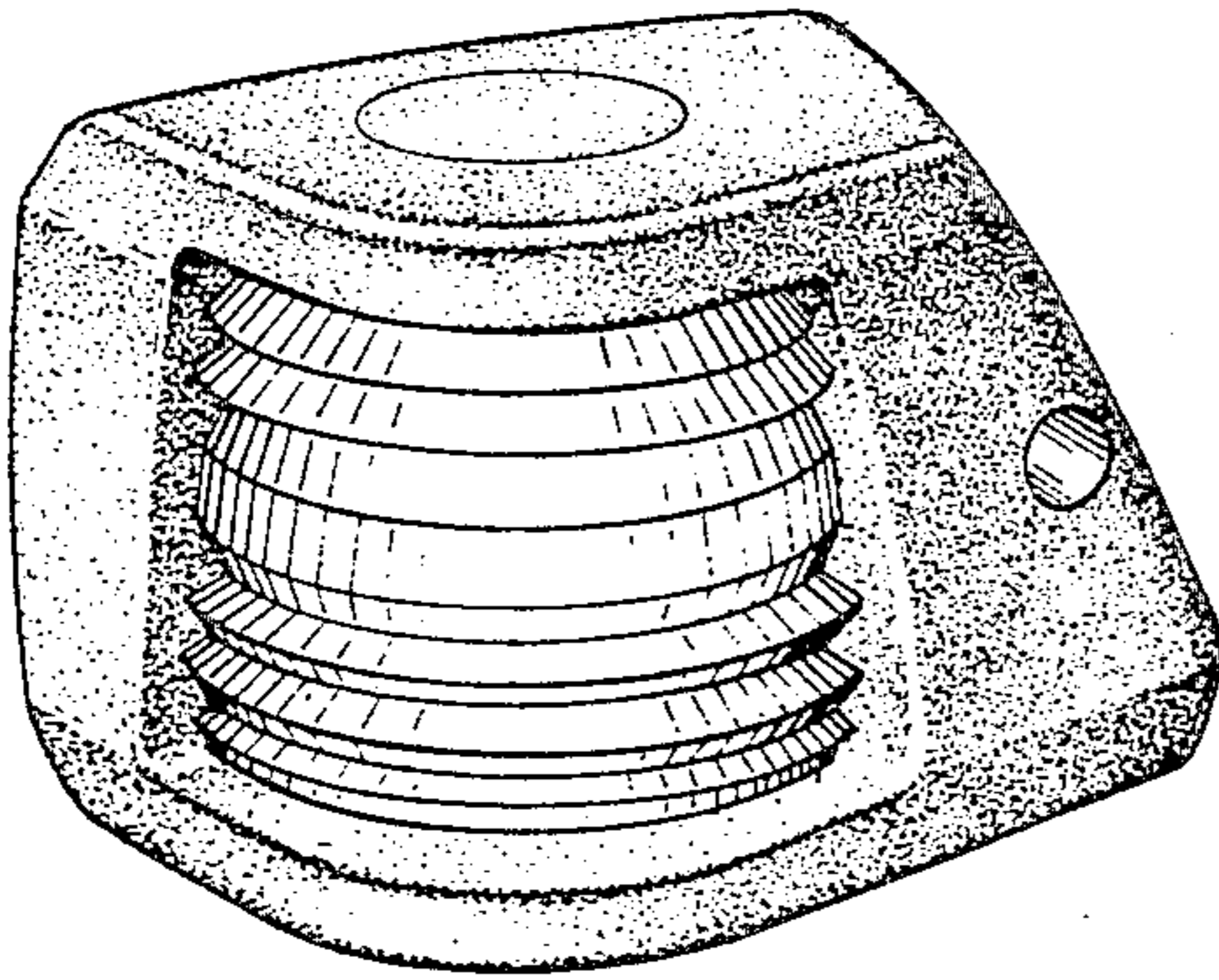


Fig. 2

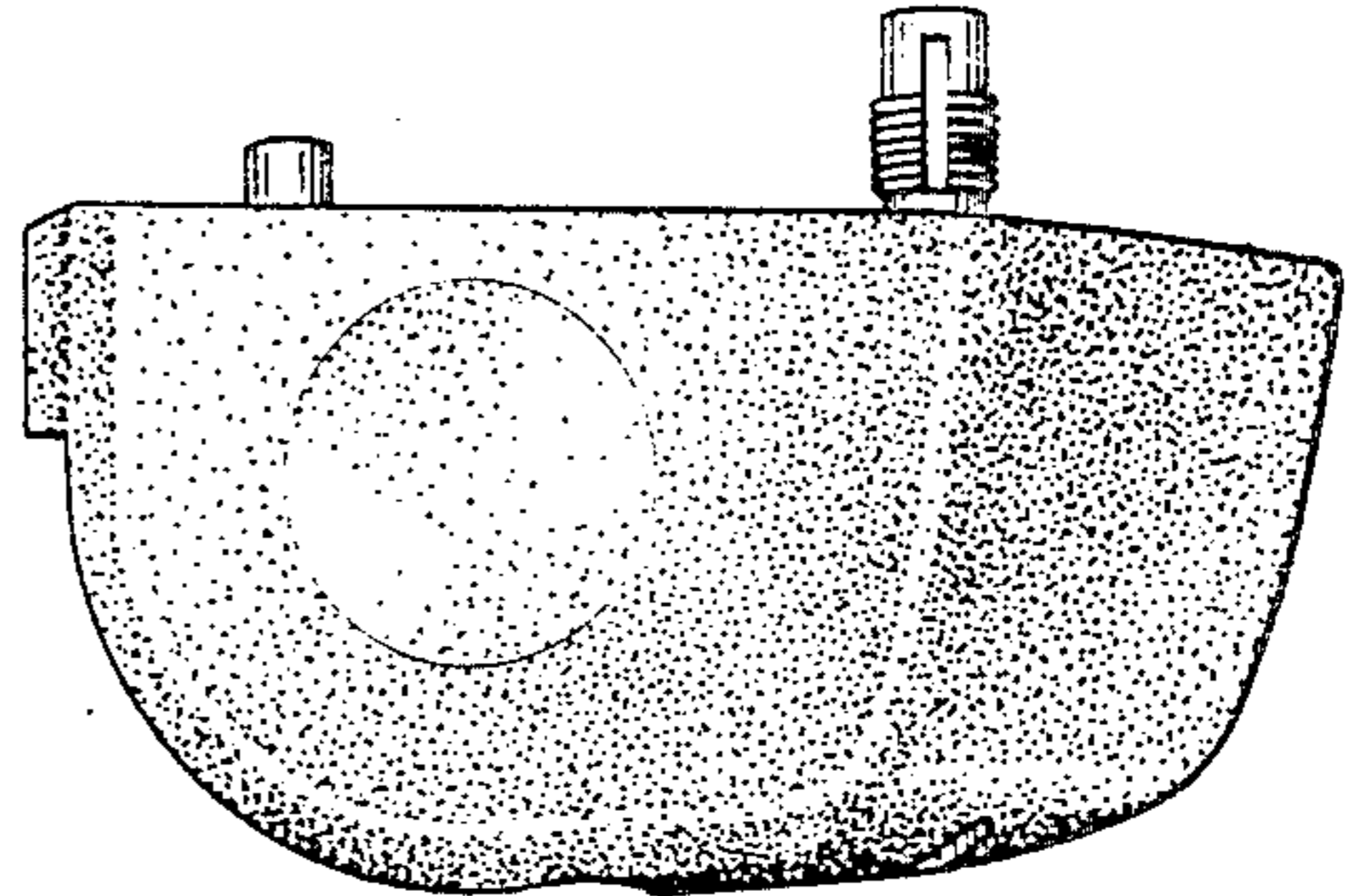


Fig. 3

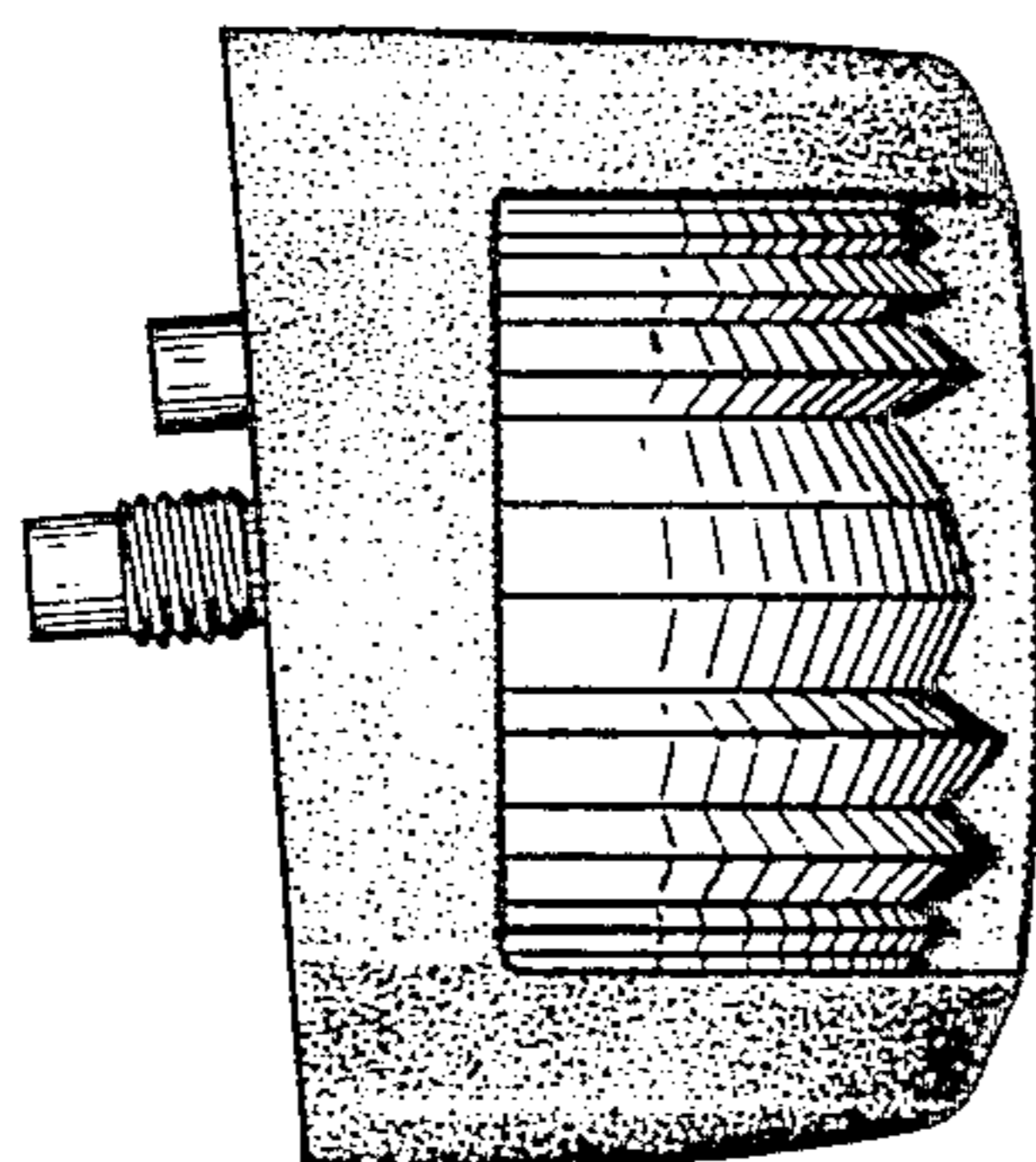


Fig. 4

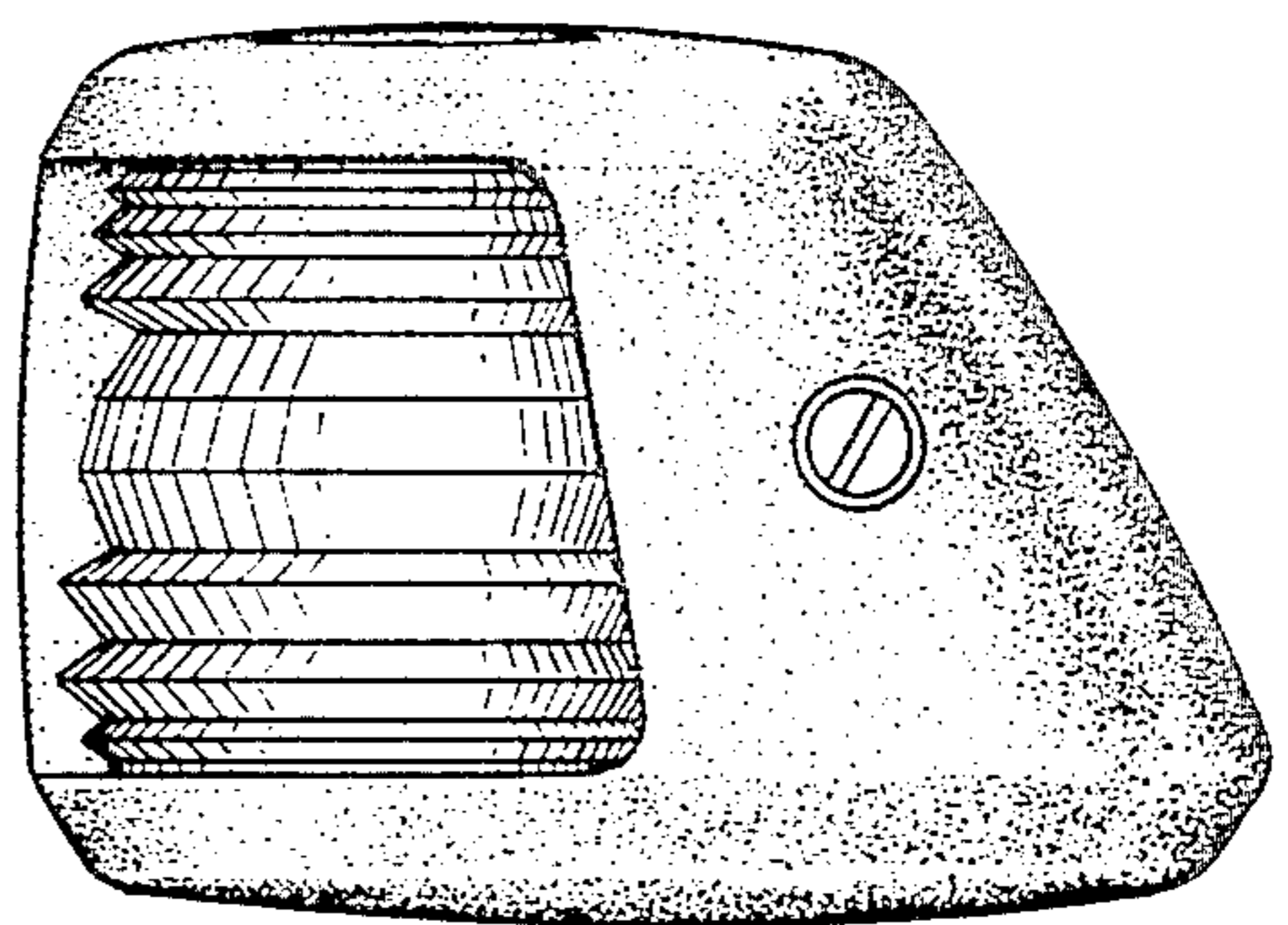


Fig. 5

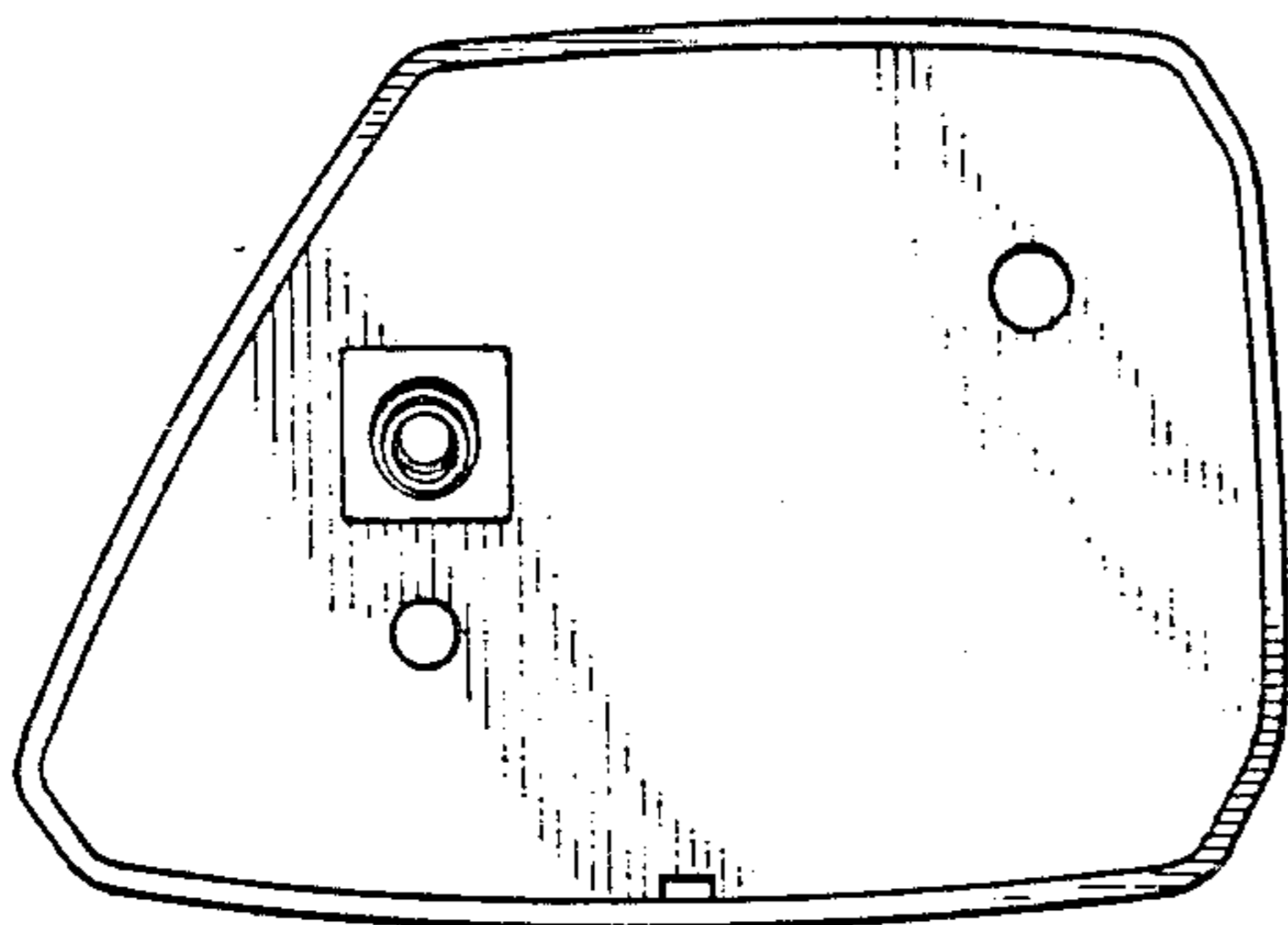


Fig. 6

