

[54] INFANT PACIFIER

[76] Inventor: Jacqueline Haupt, P.O. Box 528, LaCygne, Kans. 66040

[\*\*] Term: 14 Years

[21] Appl. No.: 563,212

[22] Filed: Dec. 19, 1983

[52] U.S. Cl. .... D24/45; D24/46; D27/3

[58] Field of Search ..... D24/45, 46, 47; 215/11 R; 128/359, 360; D27/3, 4, 7

[56] References Cited

U.S. PATENT DOCUMENTS

2,699,785	1/1955	Allen	128/360
2,825,335	3/1958	Natonek	128/360
3,258,873	7/1966	Franco	215/11 R X

4,188,747 2/1980 Kramer ..... 128/360 X

FOREIGN PATENT DOCUMENTS

1361655 7/1974 United Kingdom ..... 128/360

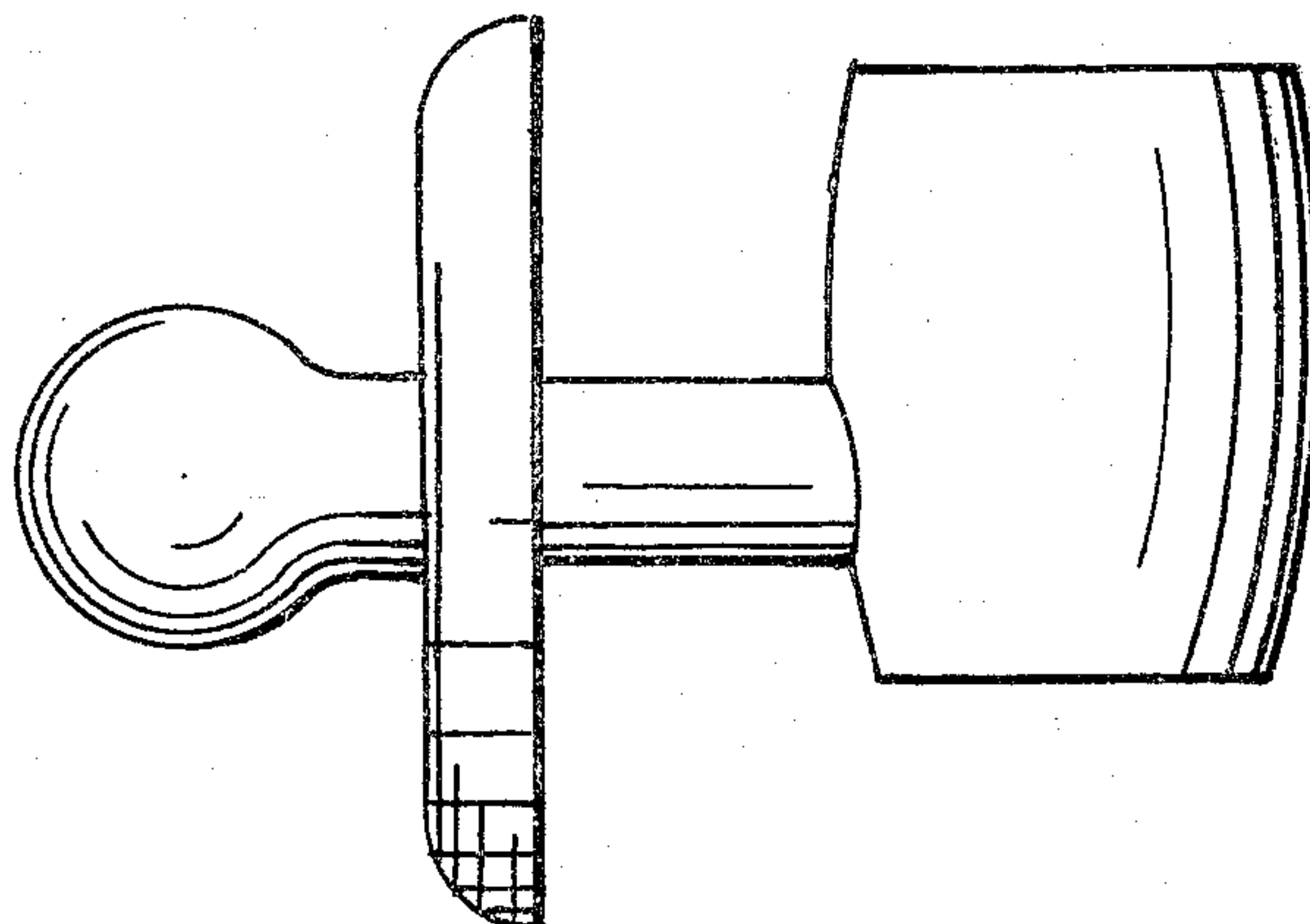
Primary Examiner—A. Hugo Word  
Assistant Examiner—Stella M. Reid  
Attorney, Agent, or Firm—John A. Hamilton

[57] CLAIM

The ornamental design for an infant pacifier, as shown.

DESCRIPTION

FIG. 1 is a side elevational view of an infant pacifier showing my design,  
FIG. 2 is a top plan view thereof,  
FIG. 3 is a bottom plan view thereof,  
FIG. 4 is a front elevational view thereof, and  
FIG. 5 is a rear elevational view, thereof.



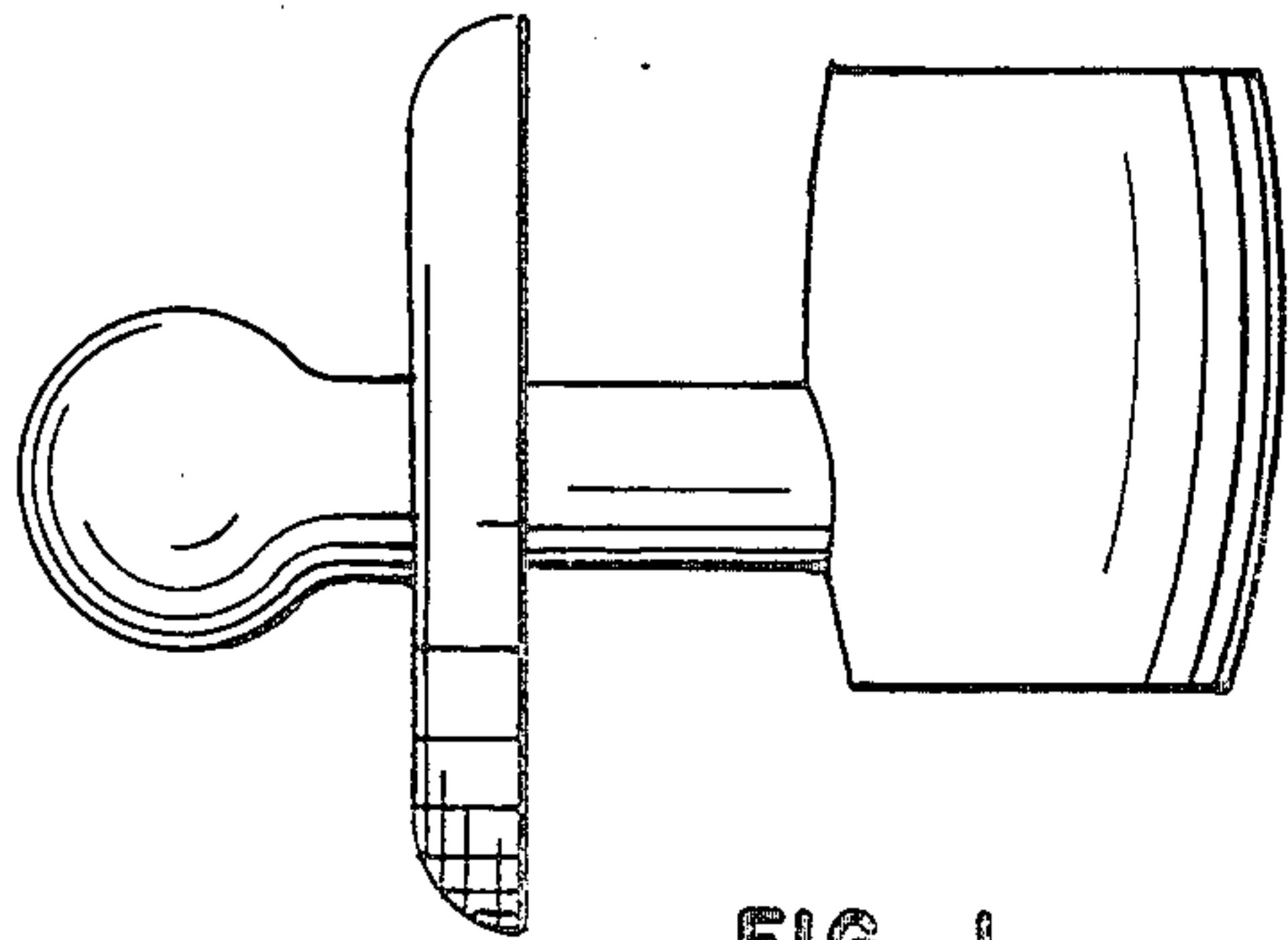


FIG. 1

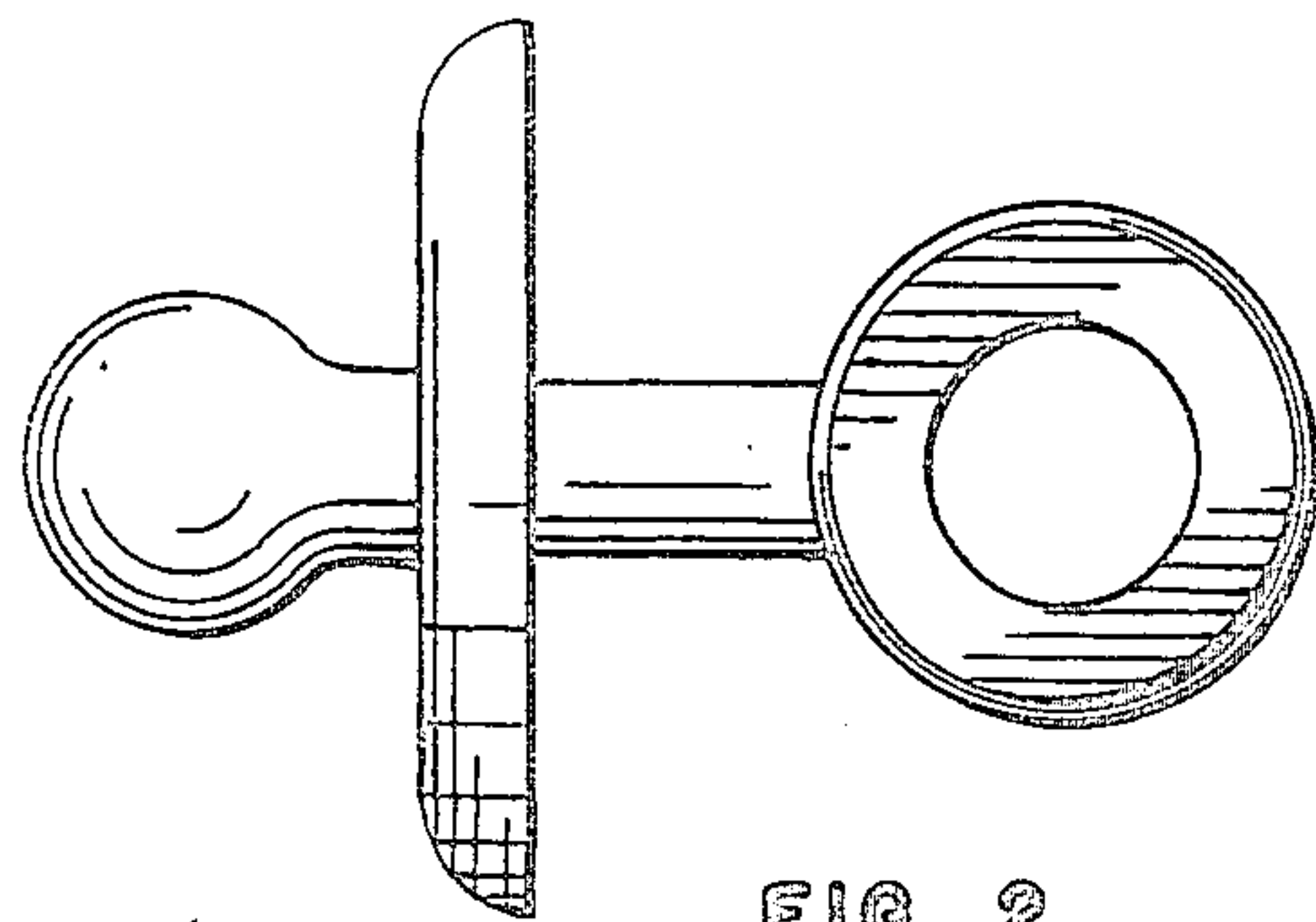


FIG. 2

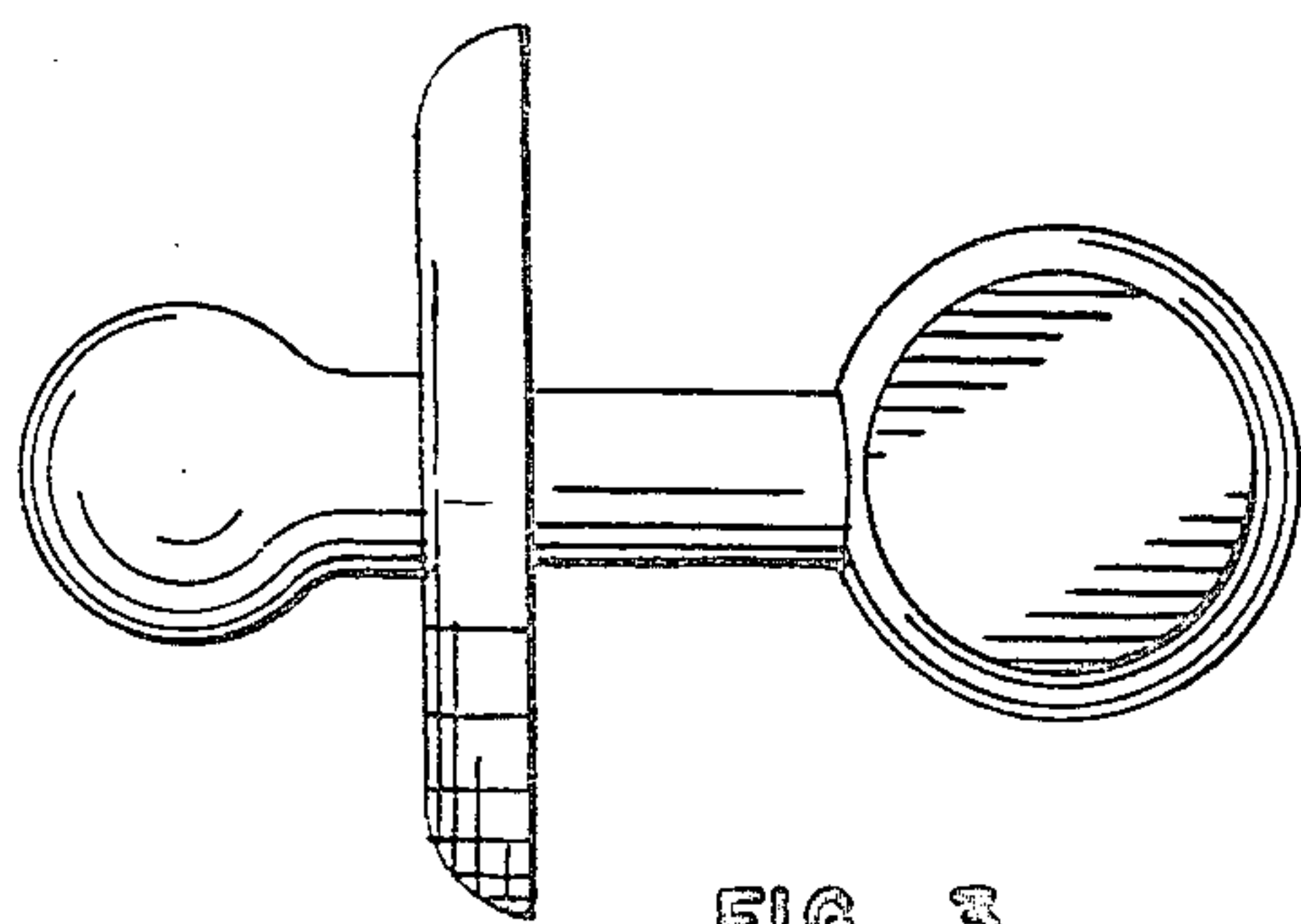


FIG. 3

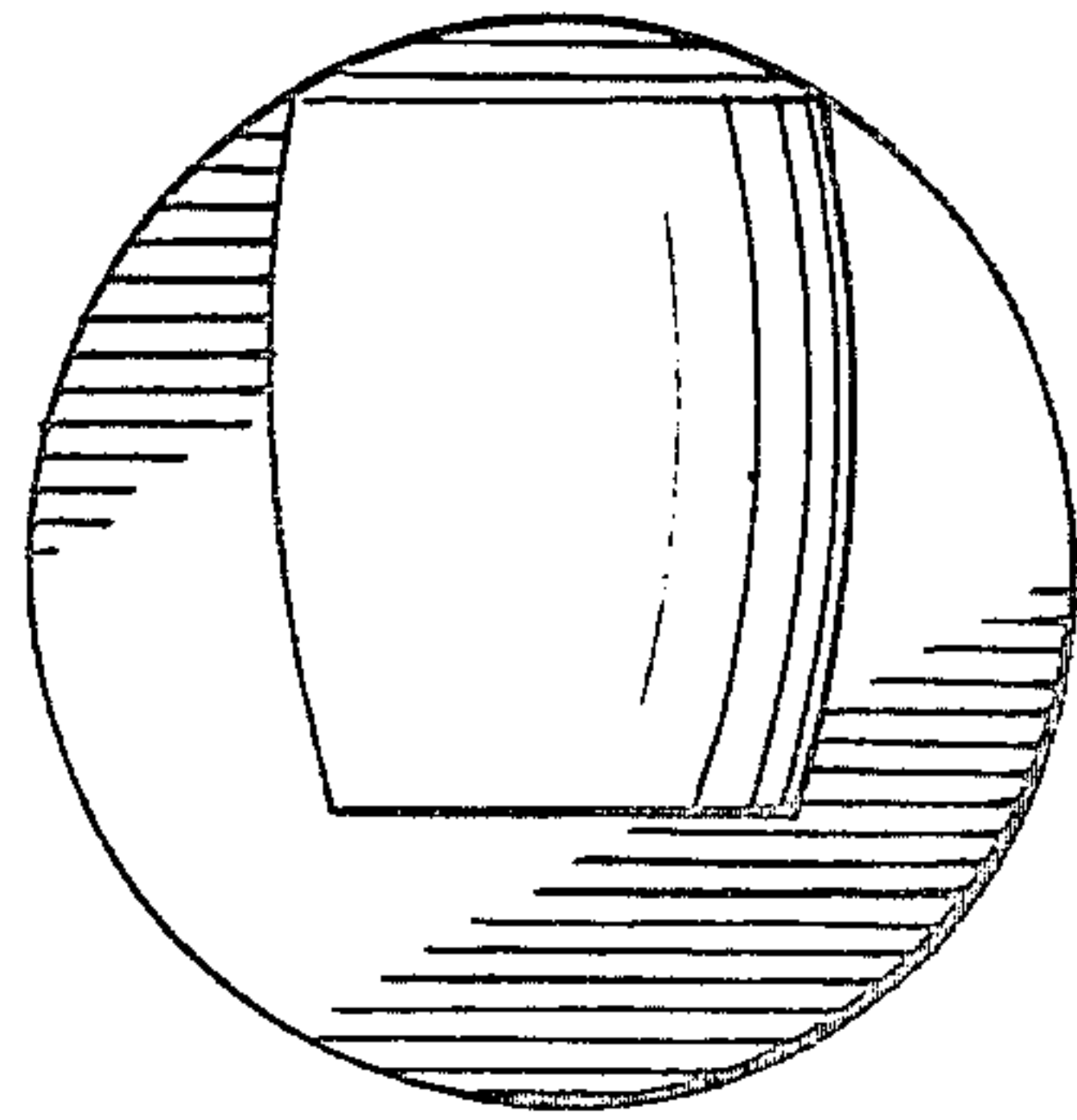


FIG. 4

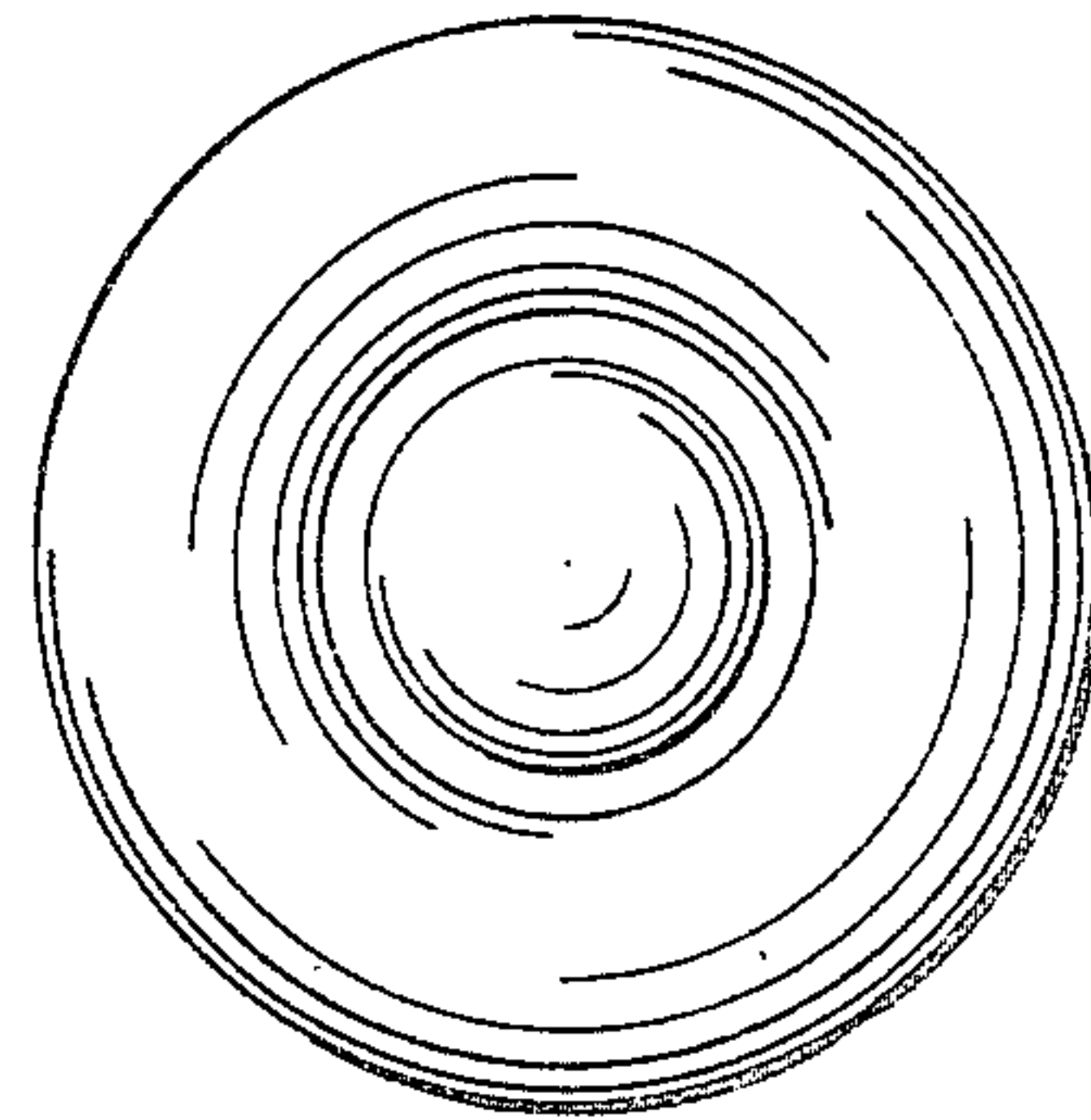


FIG. 5