

[54] COMBINED CONTROL UNIT AND HOLDER FOR DENTAL EQUIPMENT

[75] Inventors: George McGaha, Charlotte; Dan Truette, Pineville, both of N.C.; Ned Landan, Westport, Conn.; Bill Hardin, Charlotte, N.C.

[73] Assignee: Pelton & Crane Company, Charlotte, N.C.

[**] Term: 14 Years

[21] Appl. No.: 562,689

[22] Filed: Dec. 19, 1983

[52] U.S. Cl. D24/5

[58] Field of Search D24/4, 5; 433/27, 28, 433/79

[56] References Cited

U.S. PATENT DOCUMENTS

- 4,206,546 6/1980 Runnells et al. 433/79
- 4,332,555 6/1982 Richardson 433/28

OTHER PUBLICATIONS

Midwest American 1980 Brochure, Customair III Model.

Primary Examiner—James M. Gandy
Assistant Examiner—Kay H. Chin
Attorney, Agent, or Firm—Mark H. Jay

[57] CLAIM

The ornamental design for a combined control unit and holder for dental equipment, as shown and described.

DESCRIPTION

FIG. 1 is a perspective view taken from the upper left side of a combined control unit and holder for dental equipment showing our new design; FIG. 2 is a top plan view thereof; FIG. 3 is a right side elevational view thereof; FIG. 4 is a bottom plan view thereof; and FIG. 5 is a rear elevational view thereof. The broken line showing of environmental structure is for illustrative purposes only and forms no part of the claimed design.

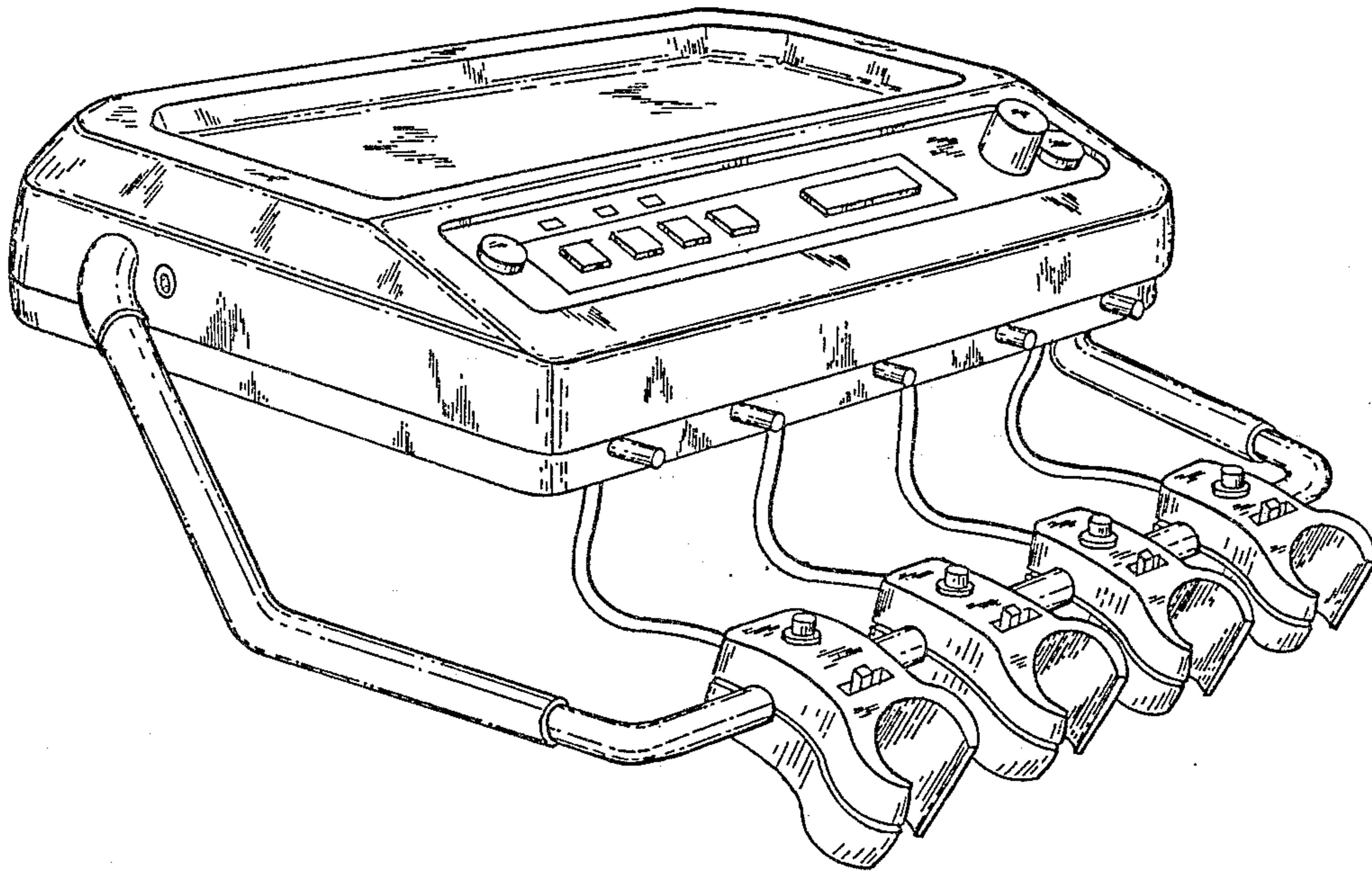


FIG. 1

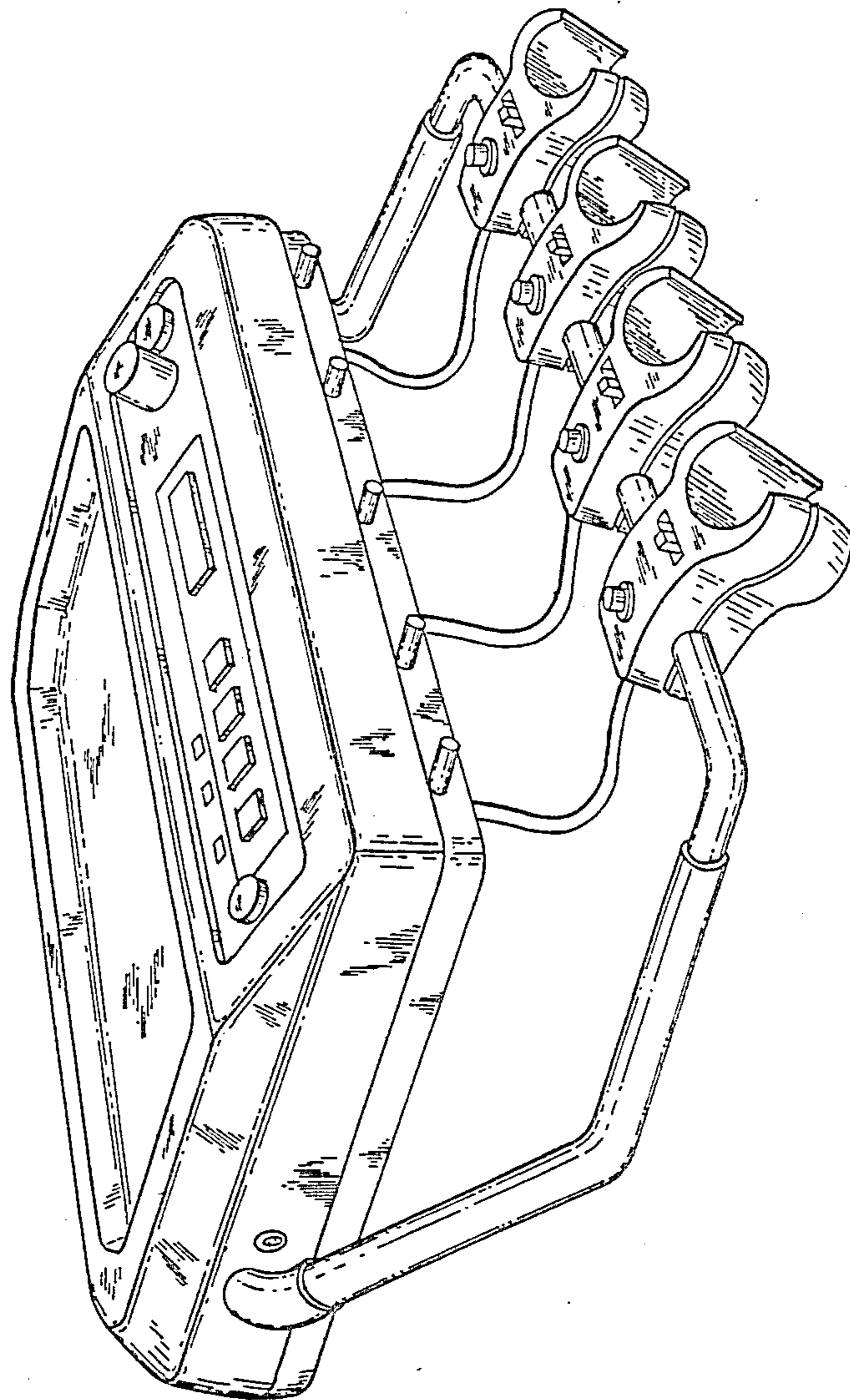


FIG. 2

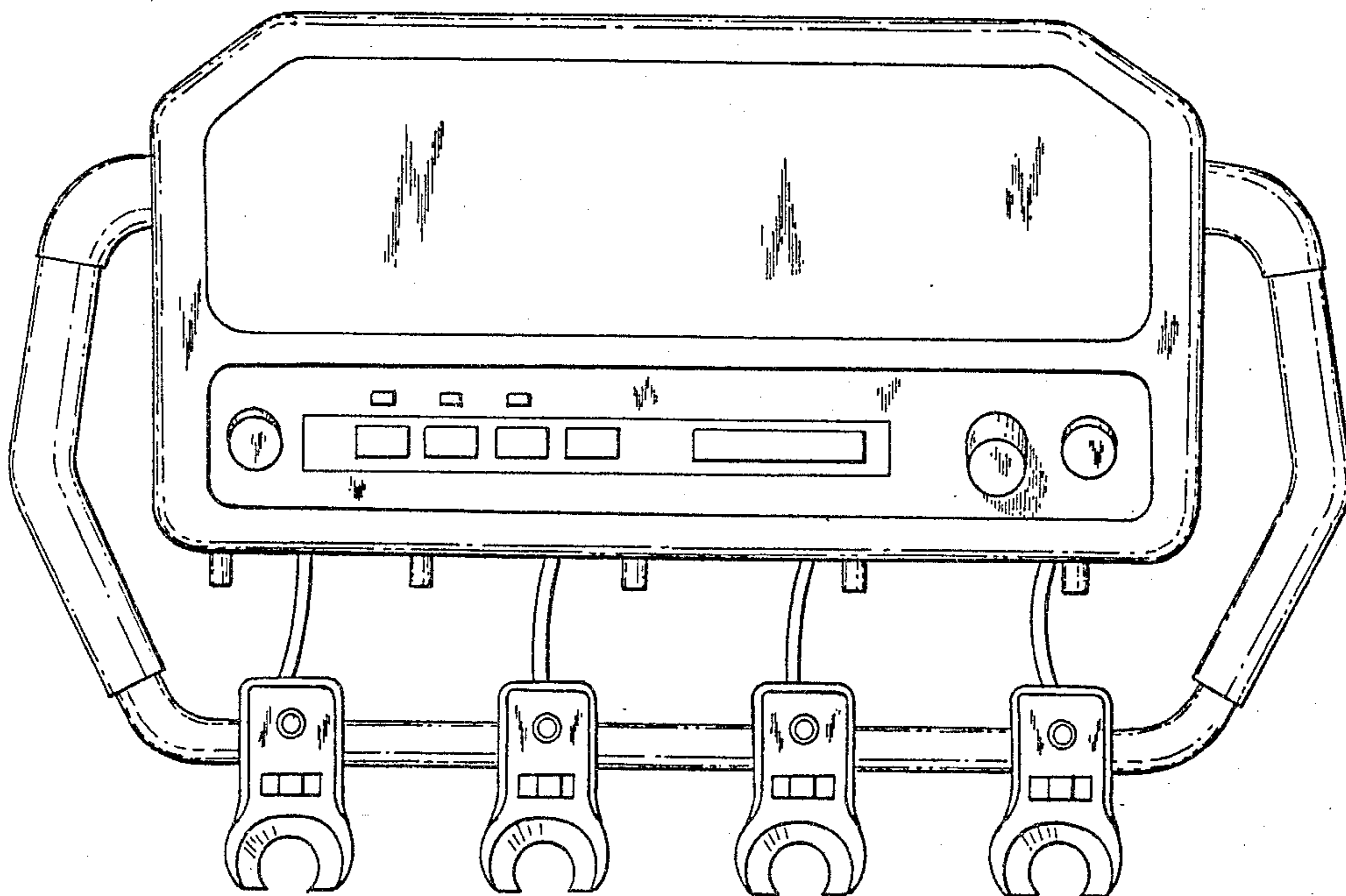


FIG. 4

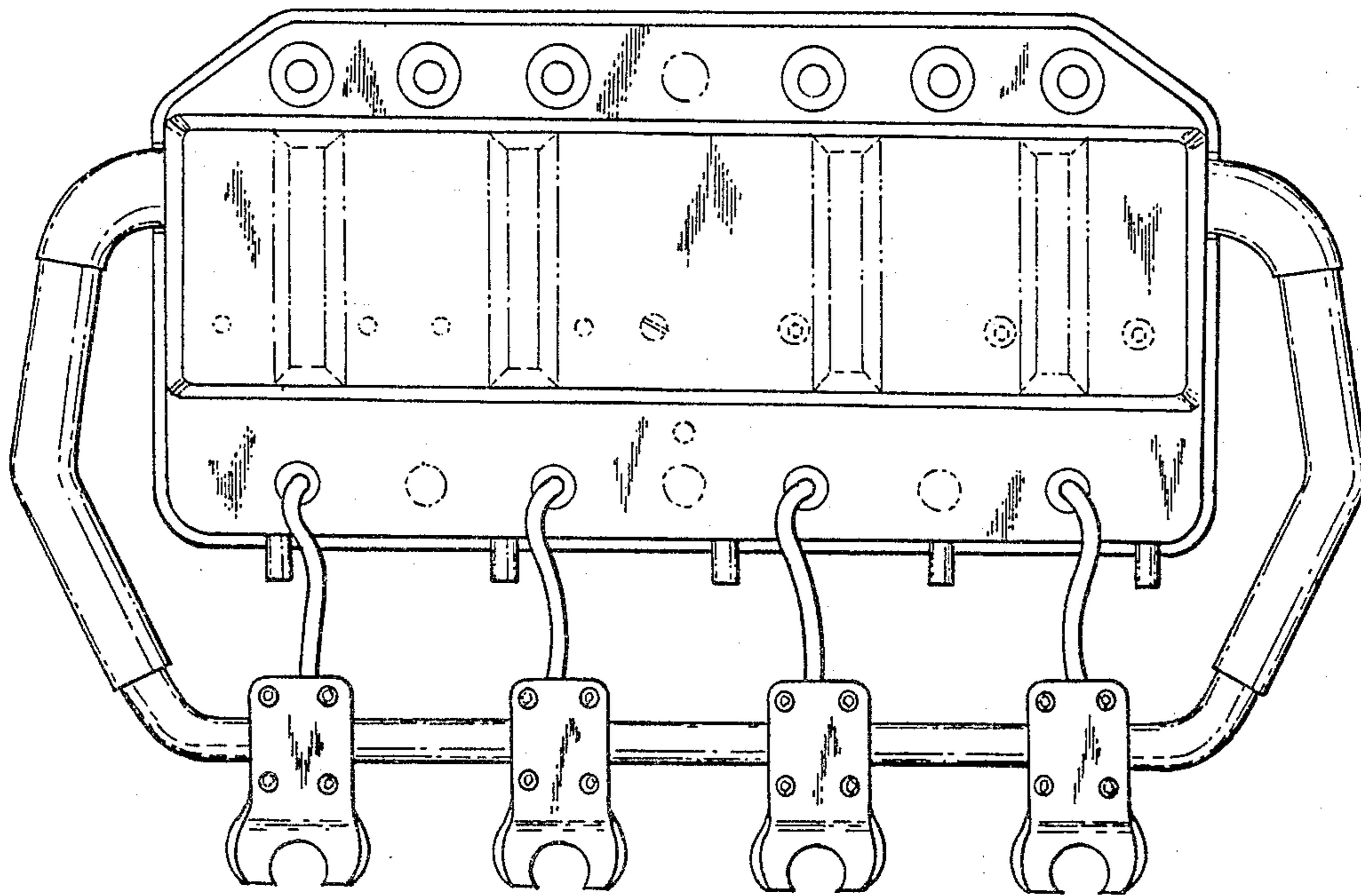


FIG. 3

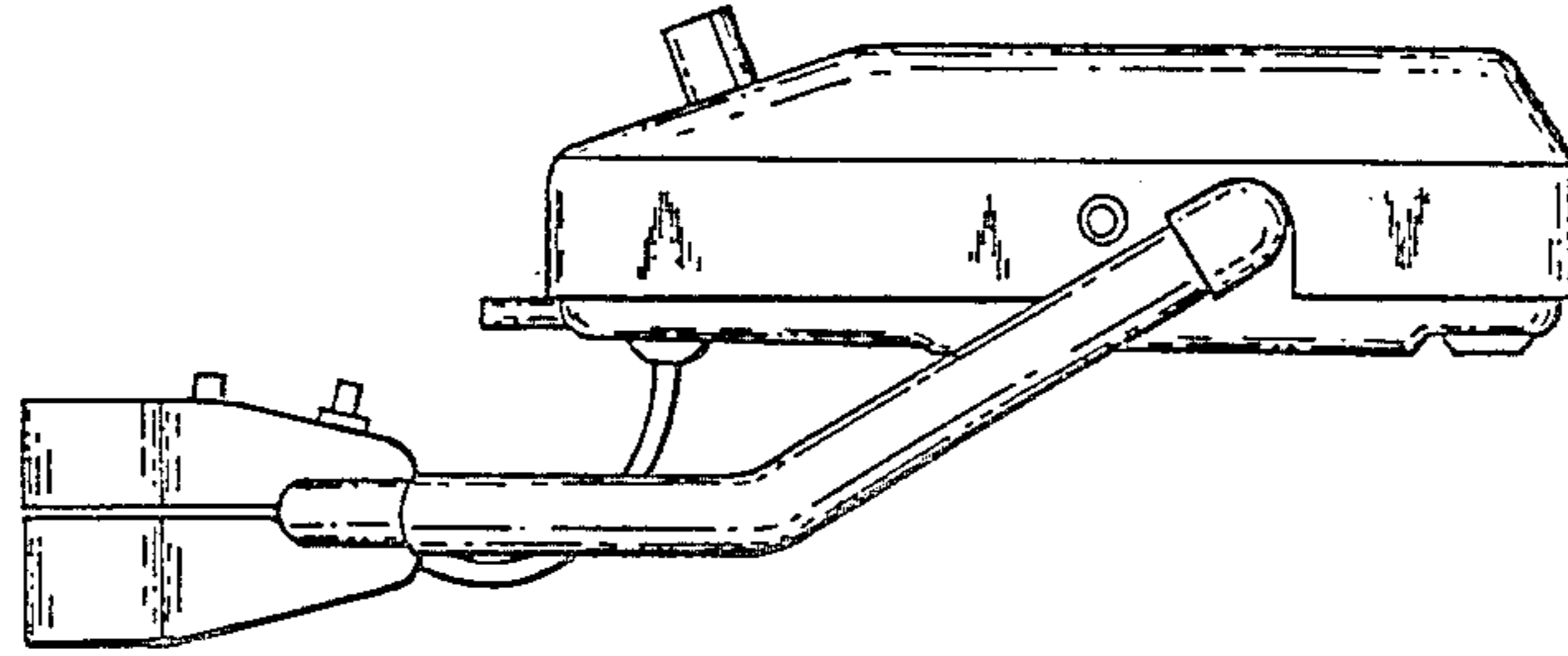


FIG. 5

