

[54] VENTILATOR FOR CONTAINER

[75] Inventors: Masaki Takahashi, Kawasaki; Shigeo Mizuno, Yamato, both of Japan

[73] Assignee: Nishiyama Corporation, Japan

[**] Term: 14 Years

[21] Appl. No.: 614,340

[22] Filed: May 25, 1984

[52] U.S. Cl. D23/139; D23/153

[58] Field of Search D23/139-140, D23/151, 153; 217/42; 98/2.11, 2.14, 2.16, 2.17, 2.18, 4, 52

[56] References Cited

U.S. PATENT DOCUMENTS

- D. 247,508 3/1978 Kujawa, Jr. D23/140
- D. 258,233 2/1981 Taylor et al. D23/142

- D. 266,923 11/1982 Parks et al. D23/151 X
- 4,196,657 4/1980 Crongeyer et al. 98/2.14
- 4,300,440 11/1981 Holter 98/2.14 X

Primary Examiner—Wallace R. Burke
Assistant Examiner—Brian N. Vinson
Attorney, Agent, or Firm—Darby & Darby

[57] CLAIM

The ornamental design for a ventilator for container, as shown and described.

DESCRIPTION

FIG. 1 is a perspective view of ventilator for containers showing our new design;
FIG. 2 is a top plan view thereof;
FIG. 3 is a bottom plan view thereof;
FIG. 4 is an end elevation view thereof;
FIG. 5 is an opposite end elevation thereof; and
FIG. 6 is a side elevation thereof, the opposite side being identical in appearance.

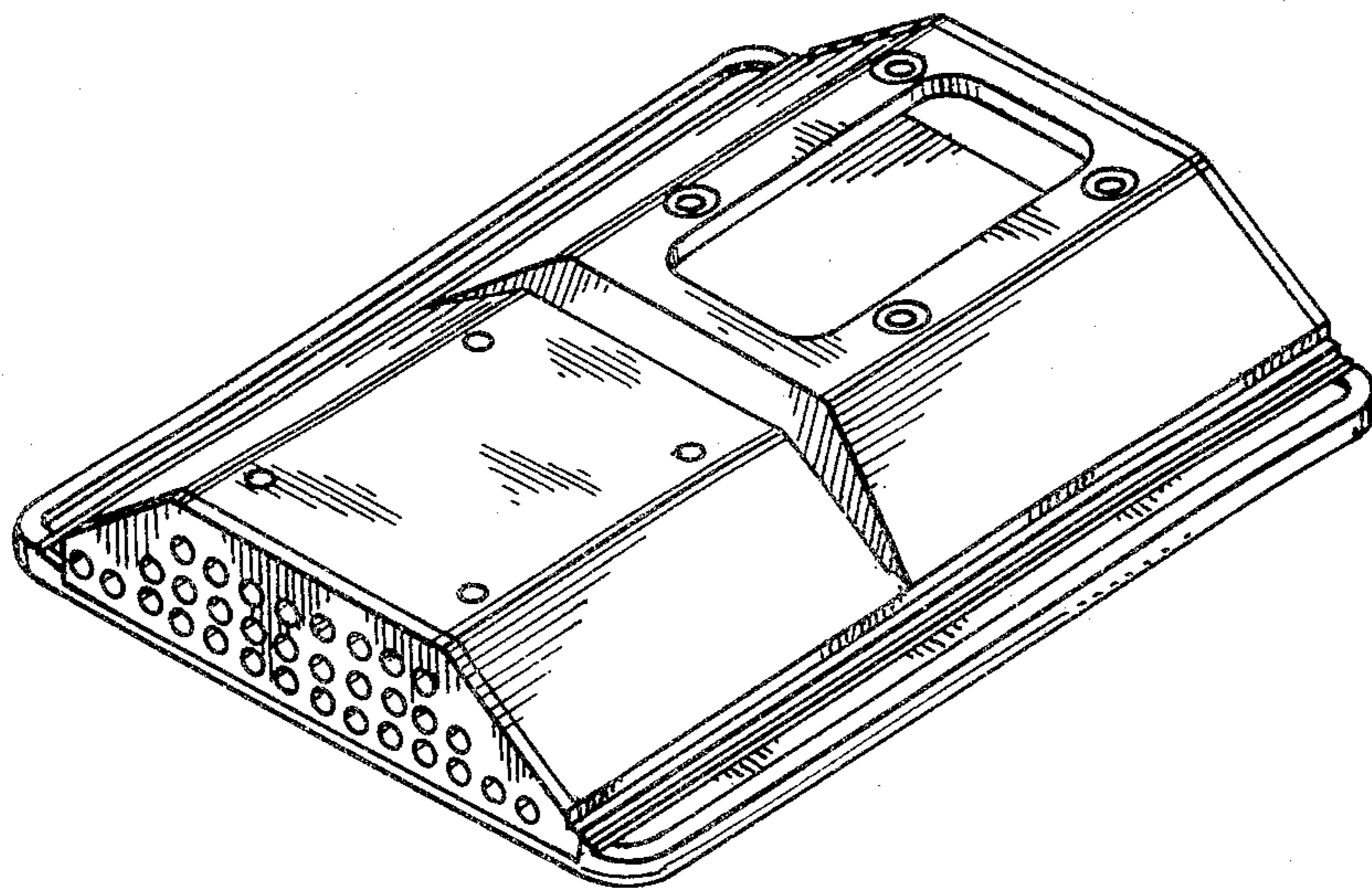


FIG. 1

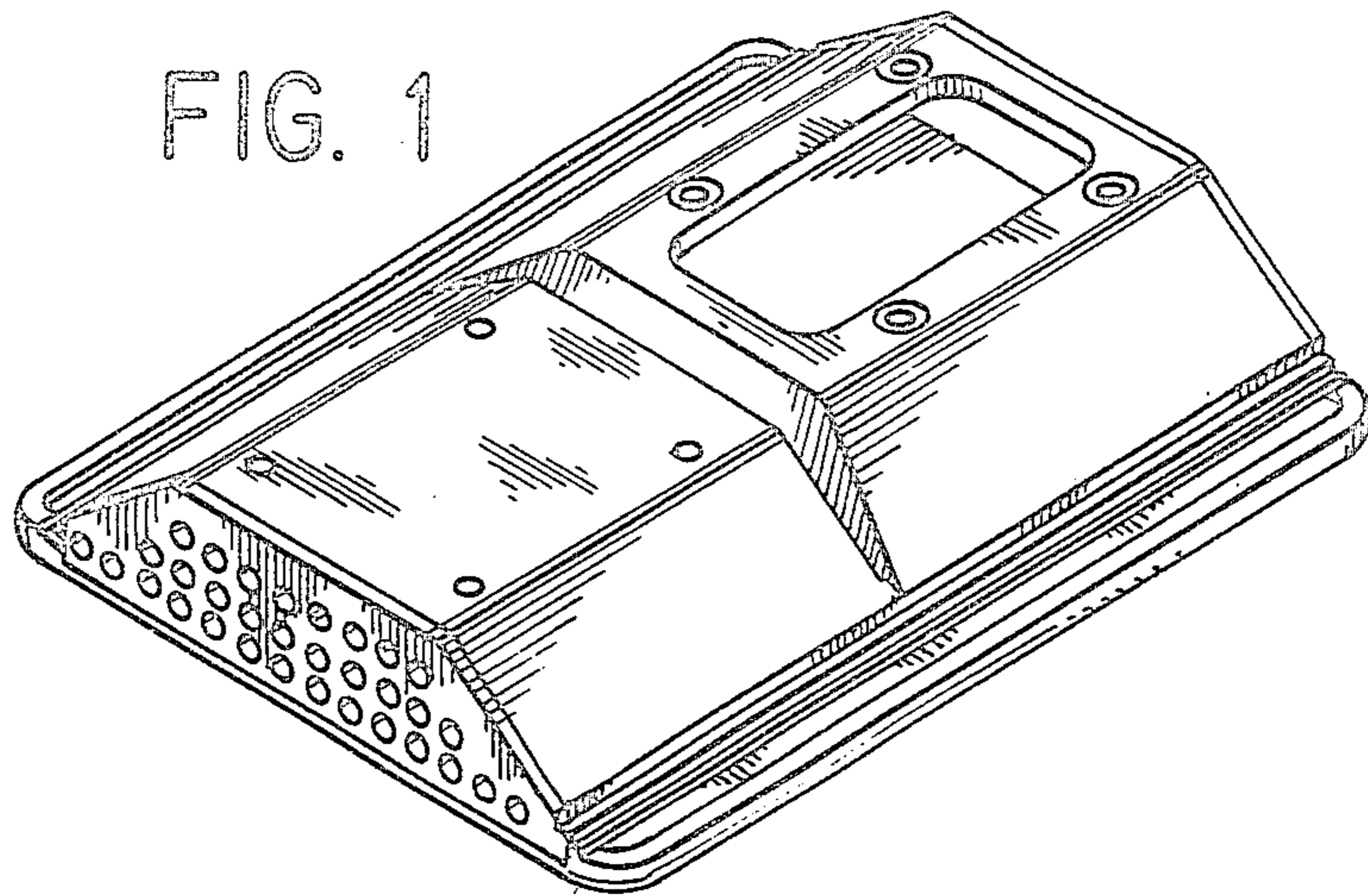


FIG. 2

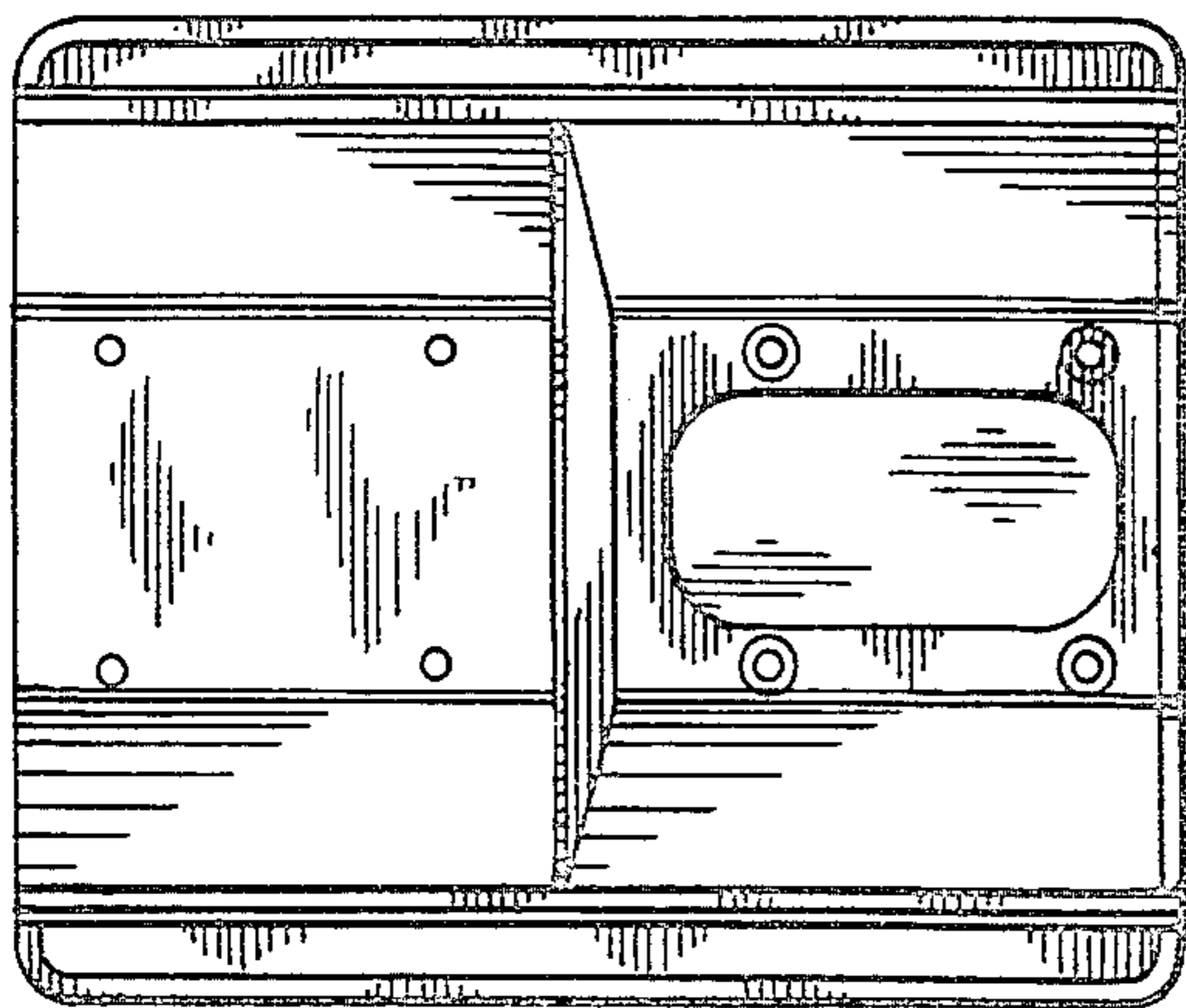


FIG. 3

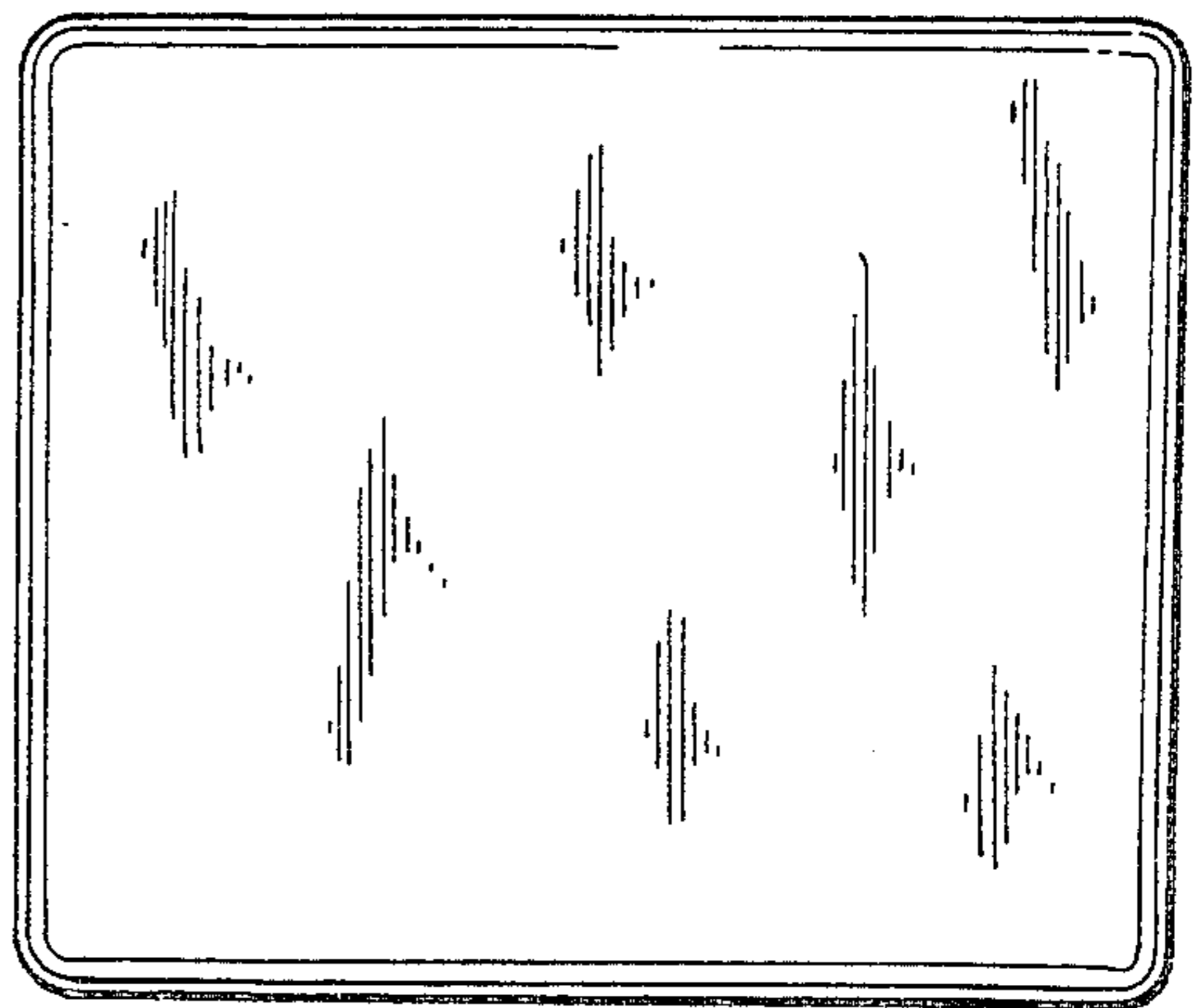


FIG. 4



FIG. 5

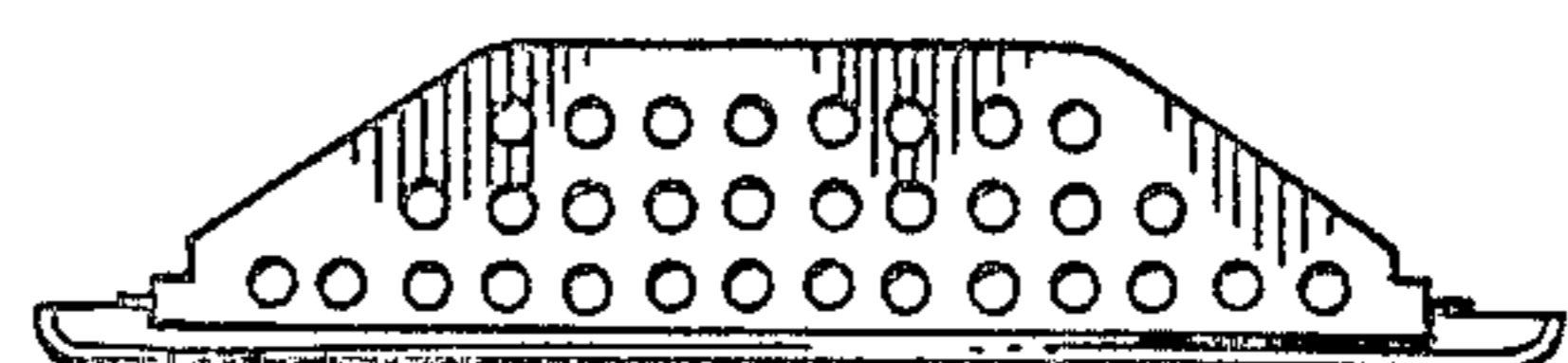


FIG. 6

