

[54] FIREPLACE AND WOOD STOVE ASH REMOVER

[76] Inventor: Gene C. Carter, Box 730, Morgan, Utah 84050

[**] Term: 14 Years

[21] Appl. No.: 702,955

[22] Filed: Feb. 19, 1985

[52] U.S. Cl. D23/131; D32/74; D34/7

[58] Field of Search D23/131, 138.2; D32/74; D34/7; 294/9, 49, 55; 209/417-419; 15/257.1, 257.3, 257.4, 257.6, 257.9; 126/242-245; 220/2

[56] References Cited

U.S. PATENT DOCUMENTS

D. 274,932	7/1984	Goodwin	D23/131
507,826	10/1893	Miller	.	
1,053,688	2/1913	Willcox	.	
1,762,347	6/1930	Peebles	.	
2,630,941	3/1953	Capellini	222/80
4,214,784	7/1980	Rogalski	294/55

4,299,419	11/1981	Kalan	294/55
4,361,245	11/1982	Allen et al.	220/2
4,402,538	9/1983	Tyndall	294/55
4,457,548	7/1984	Robins et al.	294/55

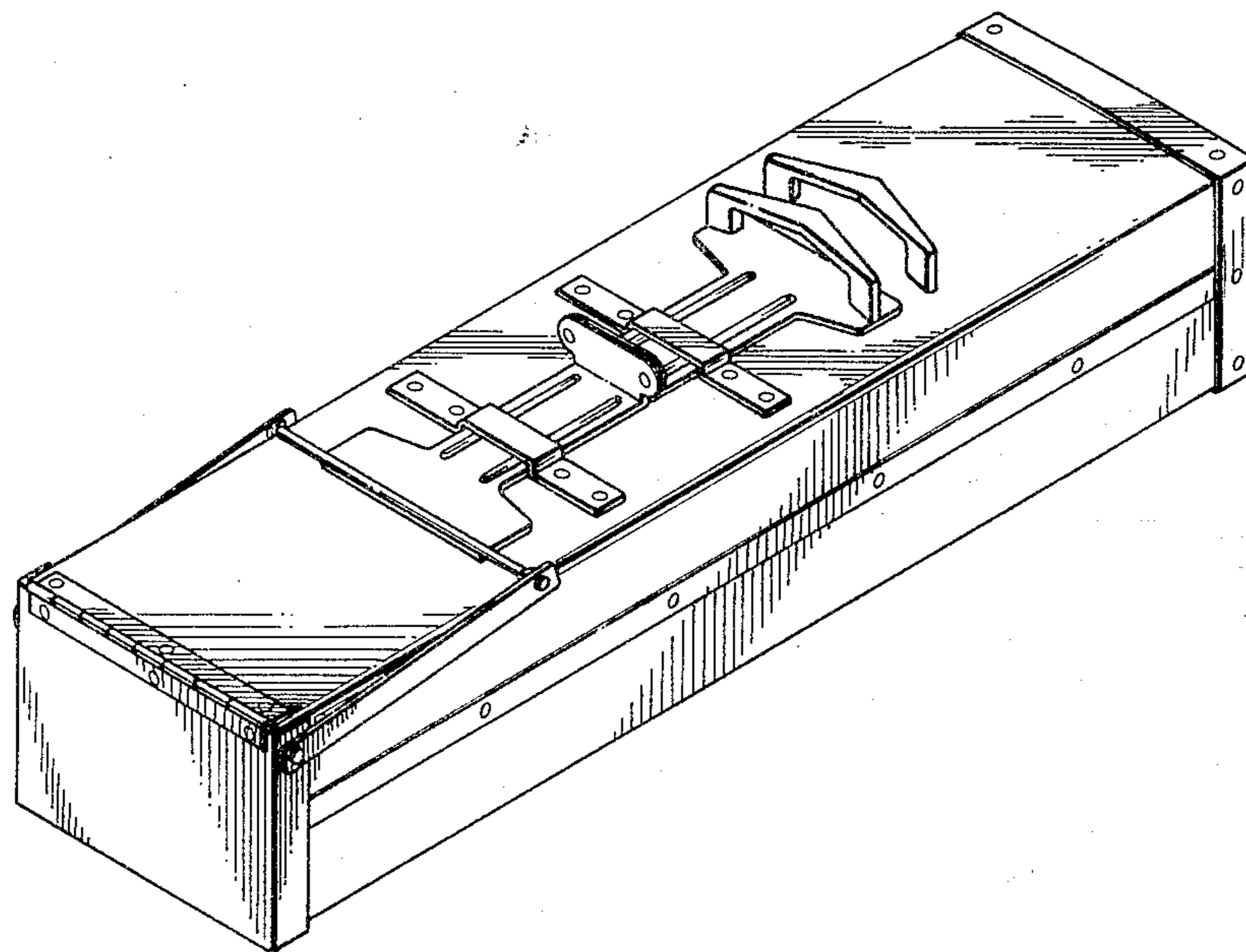
Primary Examiner—Catherine E. Kemper
Attorney, Agent, or Firm—Workman, Nydegger & Jensen

[57] CLAIM

The ornamental design for a fireplace and wood stove ash remover, as shown and described.

DESCRIPTION

FIG. 1 is a perspective view of a fireplace and wood stove ash remover, showing my new design;
FIG. 2 is a perspective view thereof, shown with the door opened;
FIG. 3 is a top plan view thereof;
FIG. 4 is a front elevational view thereof;
FIG. 5 is a left side elevational view thereof;
FIG. 6 is a rear elevational view thereof;
FIG. 7 is a bottom plan view thereof;
FIG. 8 is a right side elevational view thereof.



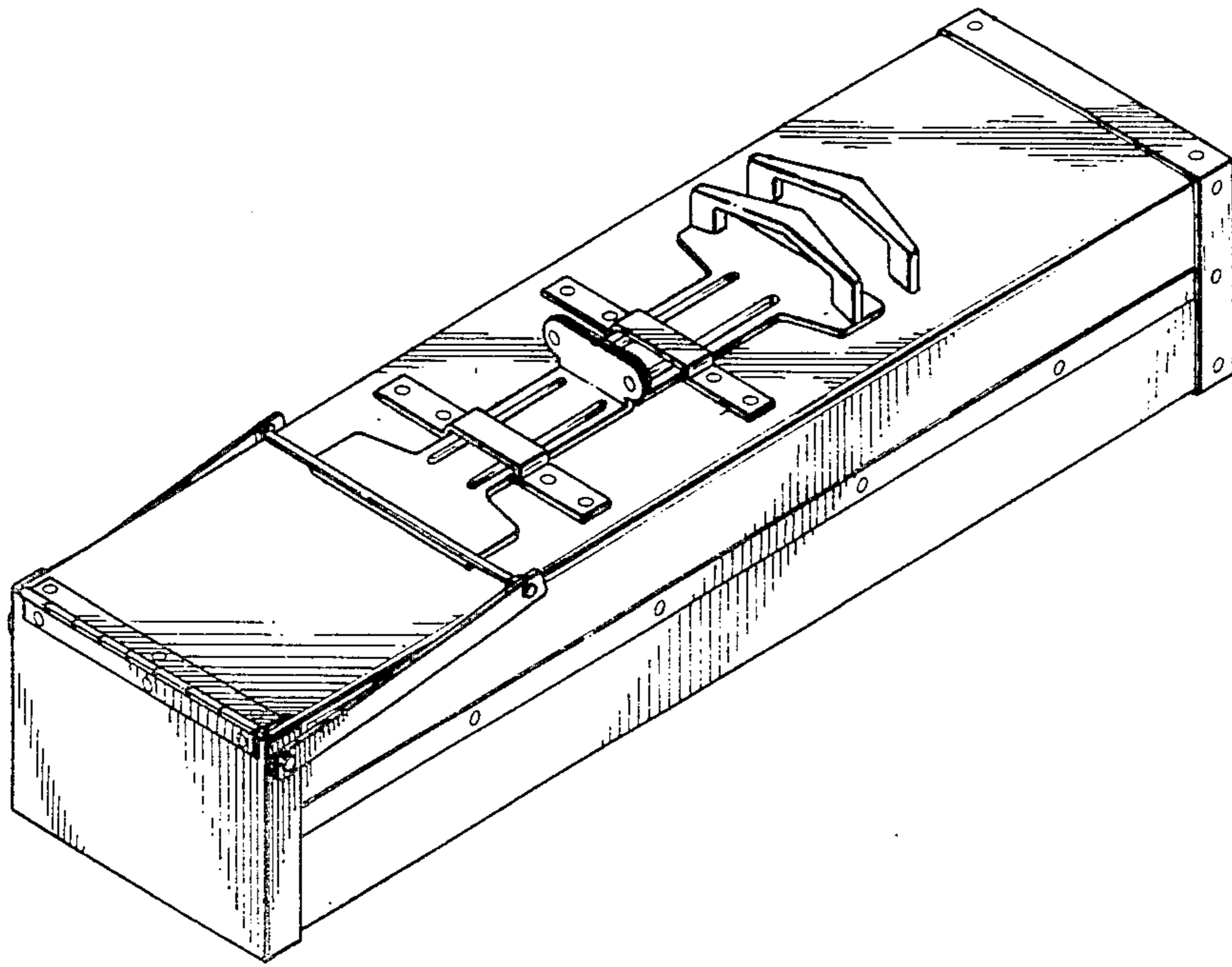


FIG. 1

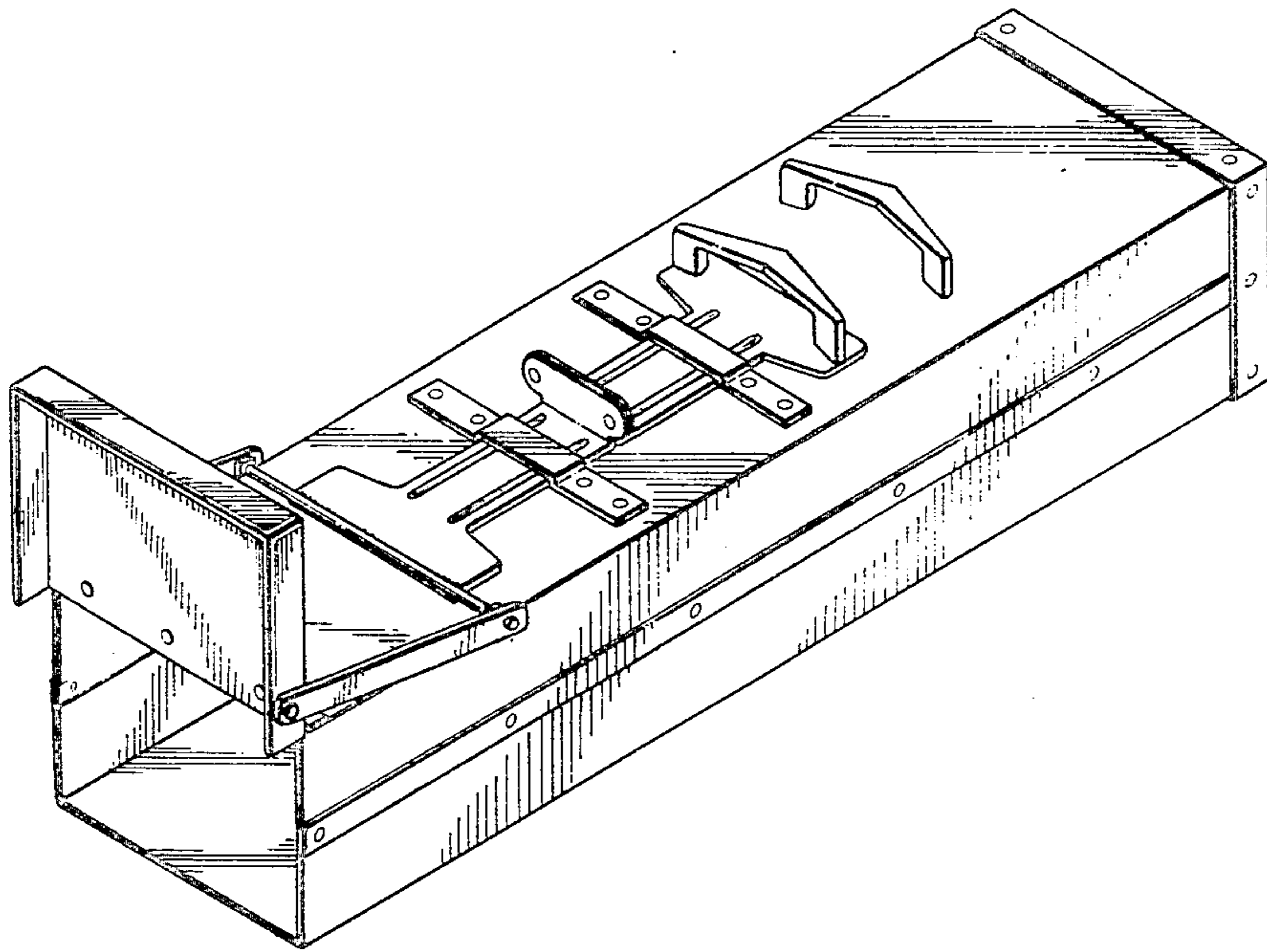


FIG. 2

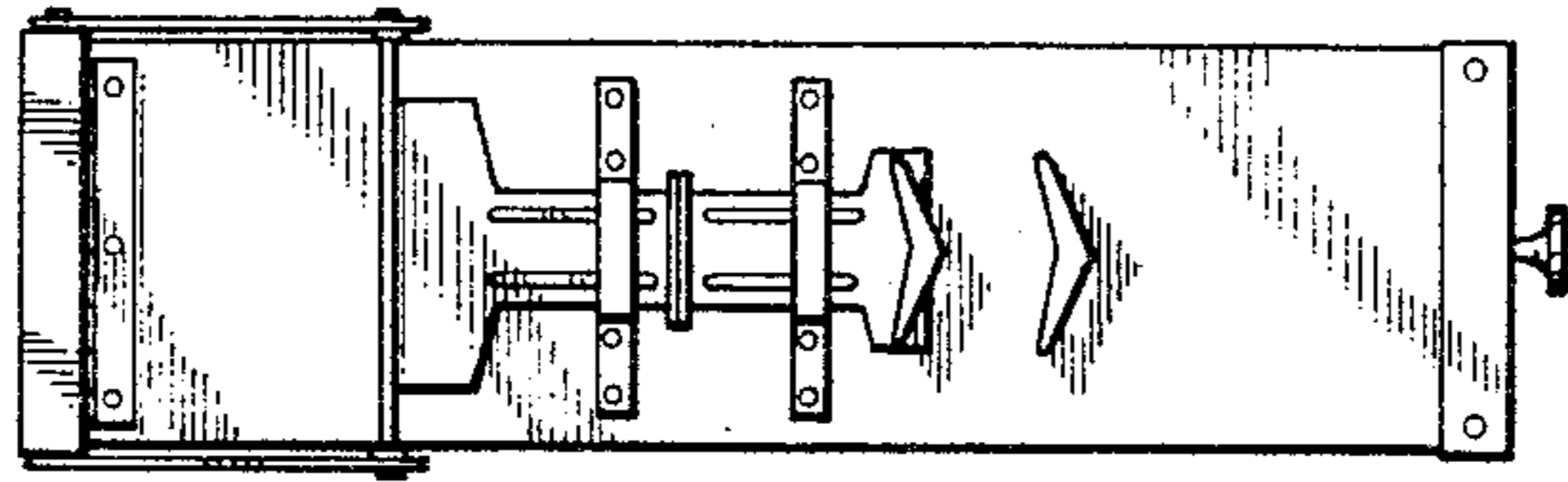


FIG. 3

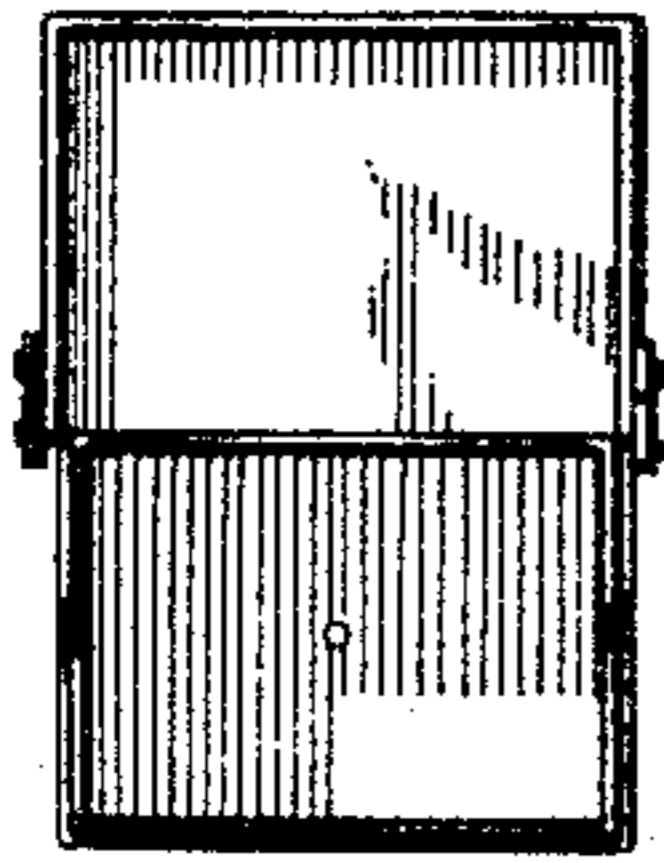


FIG. 4

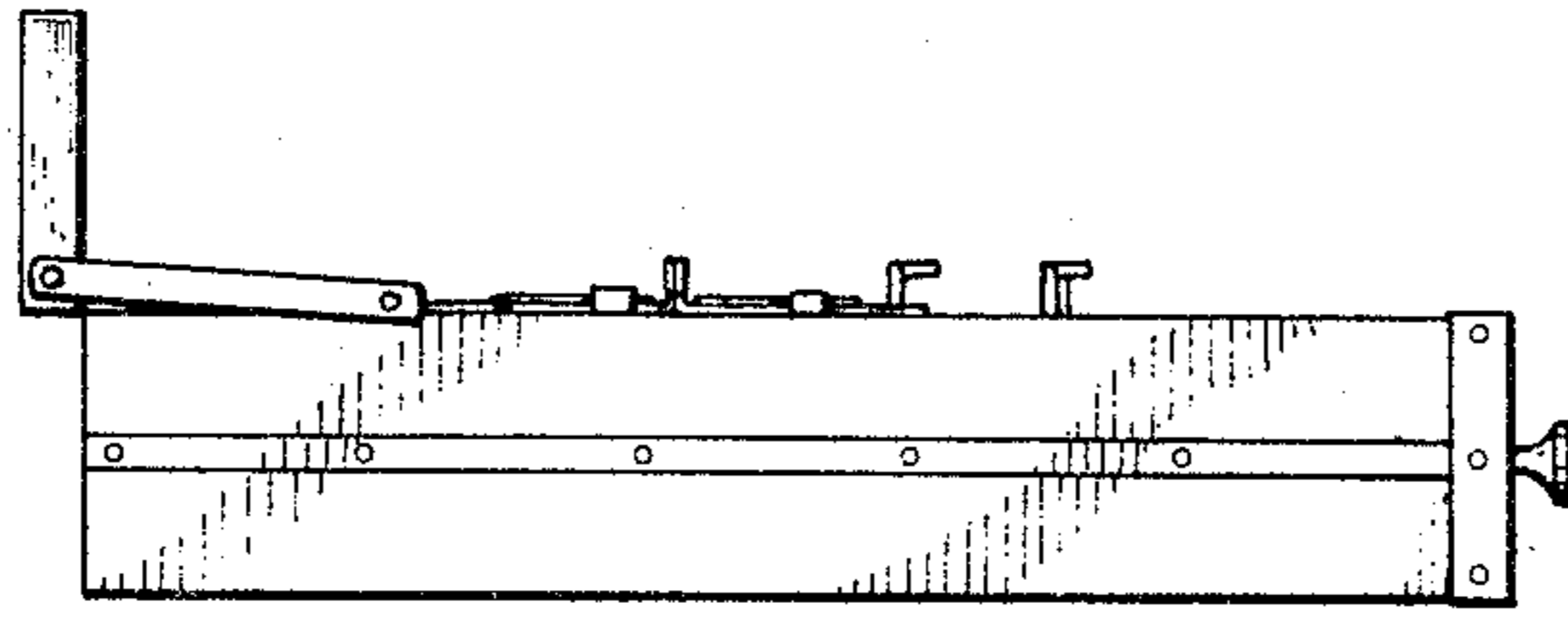


FIG. 5

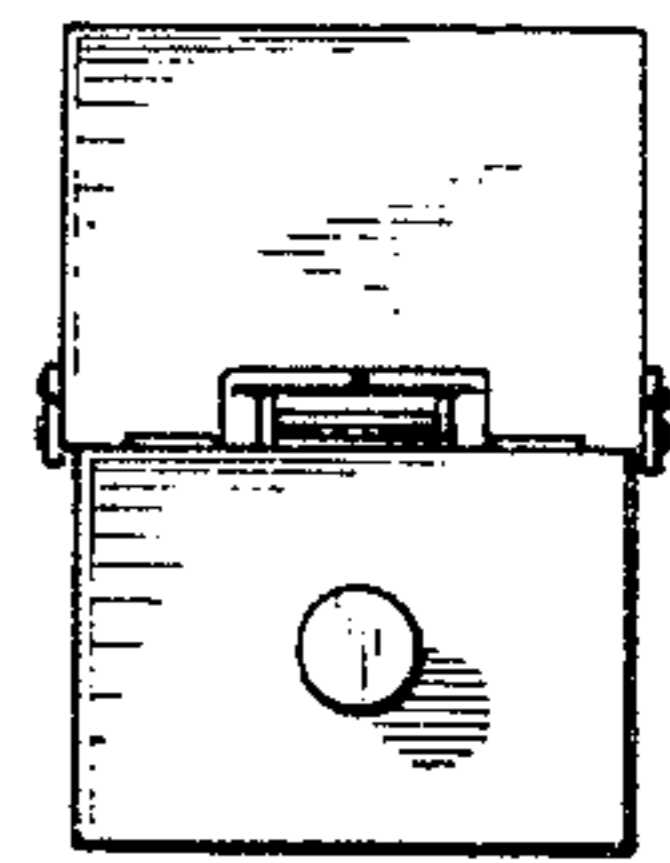


FIG. 6

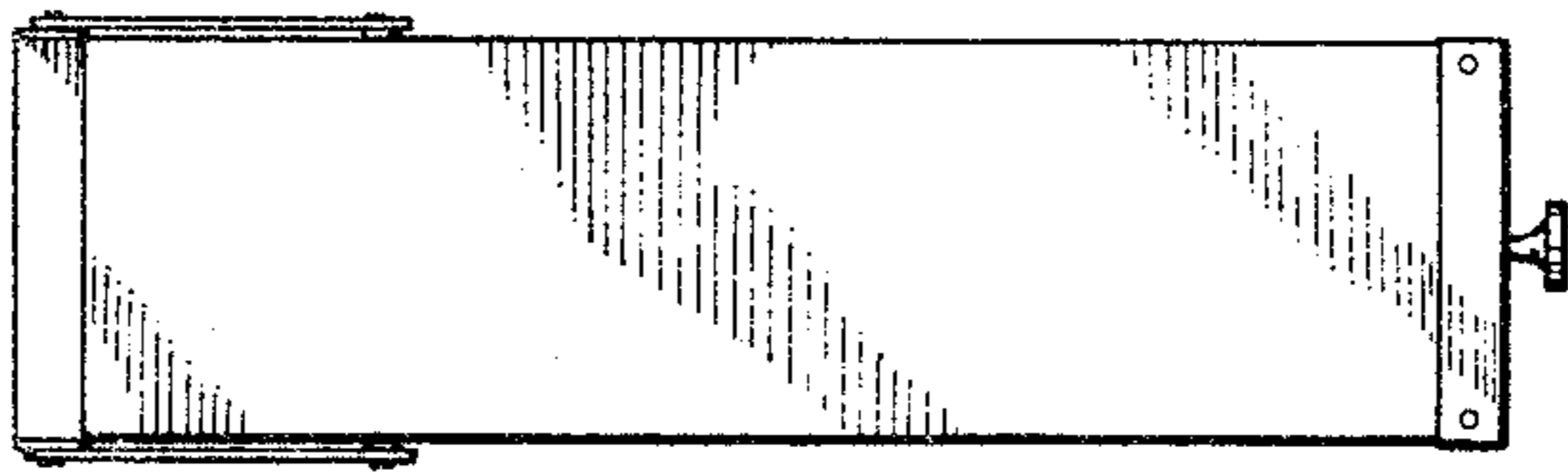


FIG. 7

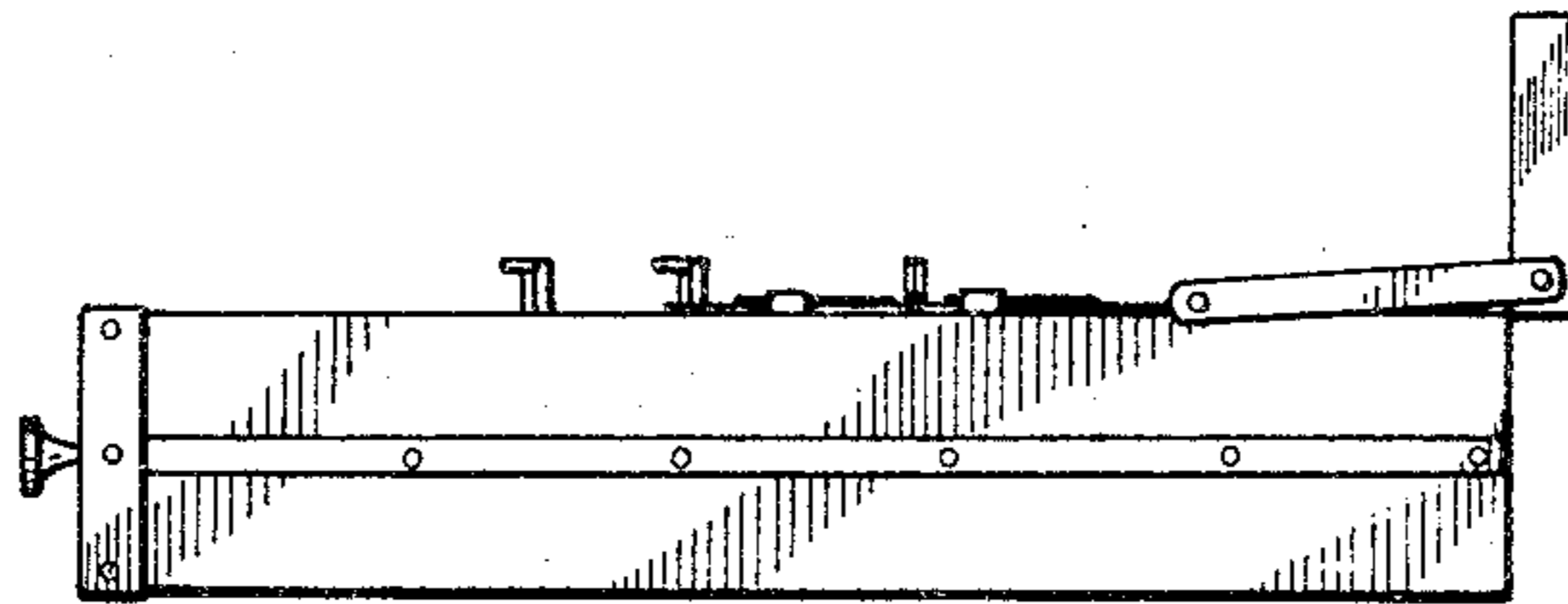


FIG. 8