

[54] BATH RING FOR INFANTS

[75] Inventor: Richard Boucher, Fitchburg, Mass.

[73] Assignee: Sanitoy, Inc., Fitchburg, Mass.

[\*\*] Term: 14 Years

[21] Appl. No.: 619,114

[22] Filed: Jun. 11, 1984

[52] U.S. Cl. .... D23/69; D6/487

[58] Field of Search ..... D23/69-71;  
D6/333, 487, 524; 4/571, 572, 573, 578, 579

[56] References Cited

U.S. PATENT DOCUMENTS

- D. 223,263 4/1972 Goldstein ..... D23/69
- 2,229,411 1/1941 Hughes ..... 4/572 X

- 2,460,308 2/1949 Pribil ..... 4/572
- 2,468,742 5/1949 Faulhaber ..... 4/572 X
- 2,503,938 4/1950 Davis, Jr. .... 4/572
- 2,645,781 7/1953 Mover ..... 4/572

Primary Examiner—James R. Lergen  
Attorney, Agent, or Firm—Carella, Byrne, Bain & Gilfillan

[57] CLAIM

The ornamental design for a bath ring for infants, as shown.

DESCRIPTION

FIG. 1 is a top perspective view of a bath ring for infants showing my new design;  
FIG. 2 is a top plan view thereof;  
FIG. 3 is a bottom plan view thereof; and  
FIG. 4 is a side elevational view thereof.

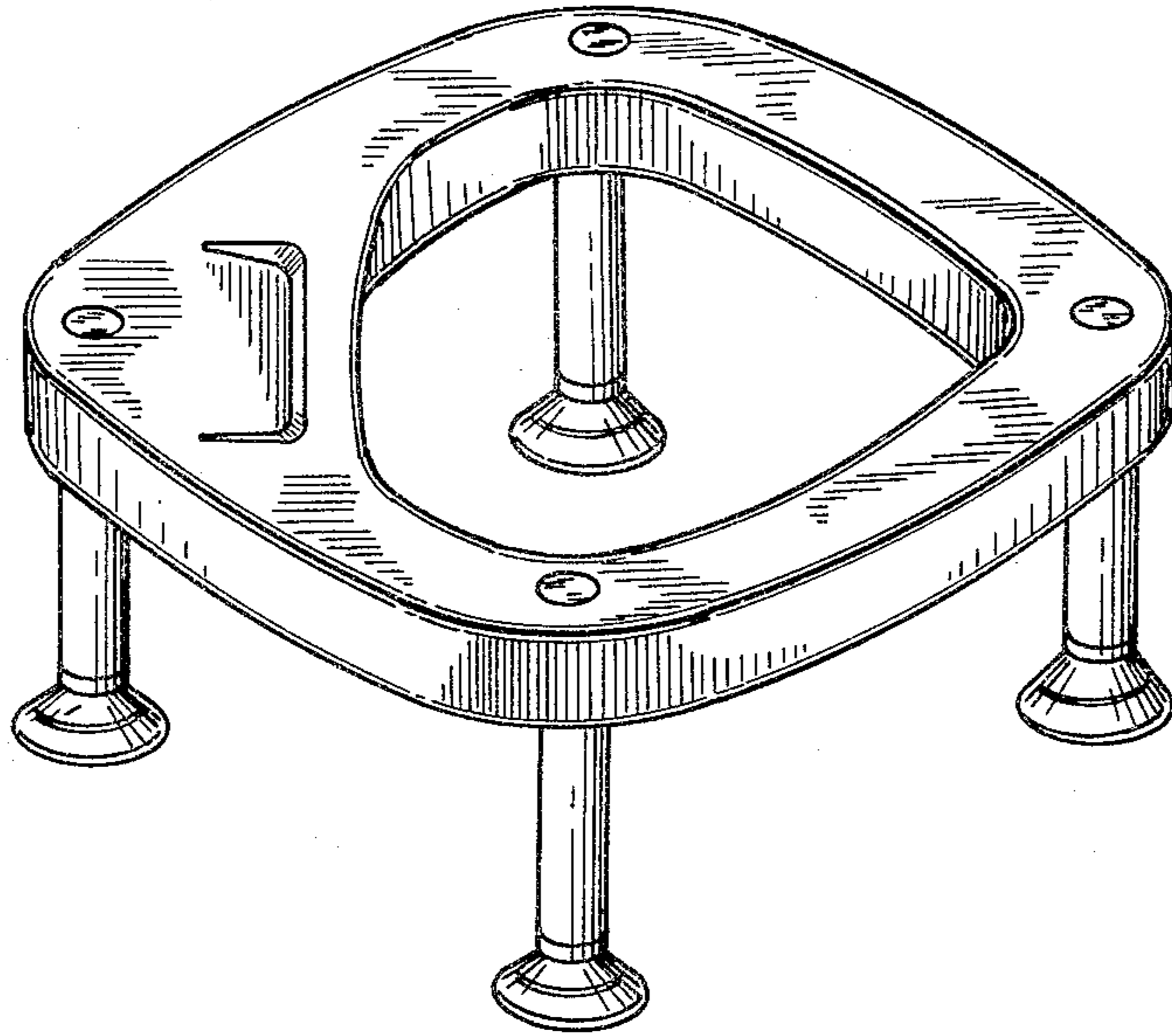


FIG. 1

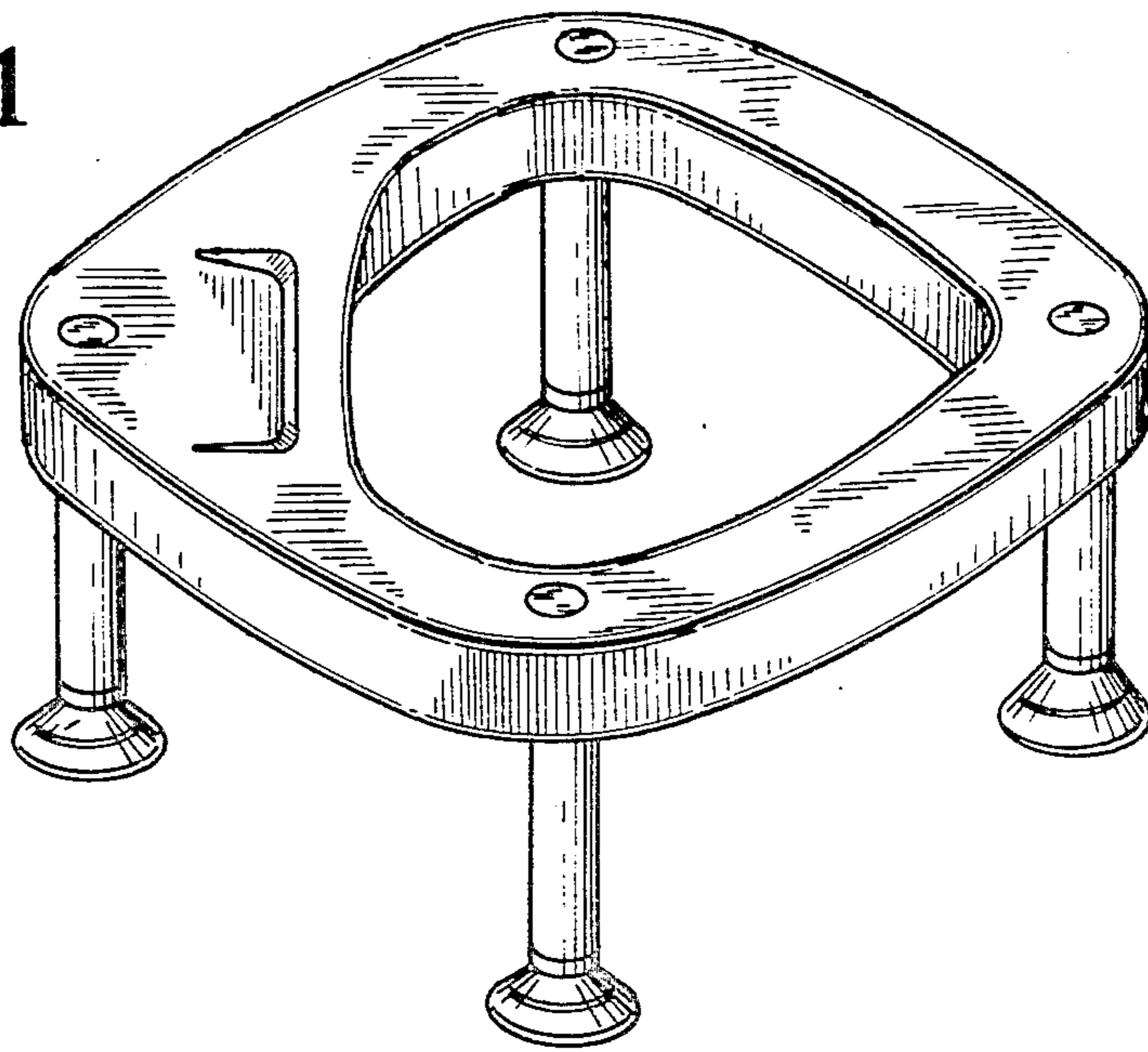


FIG. 2

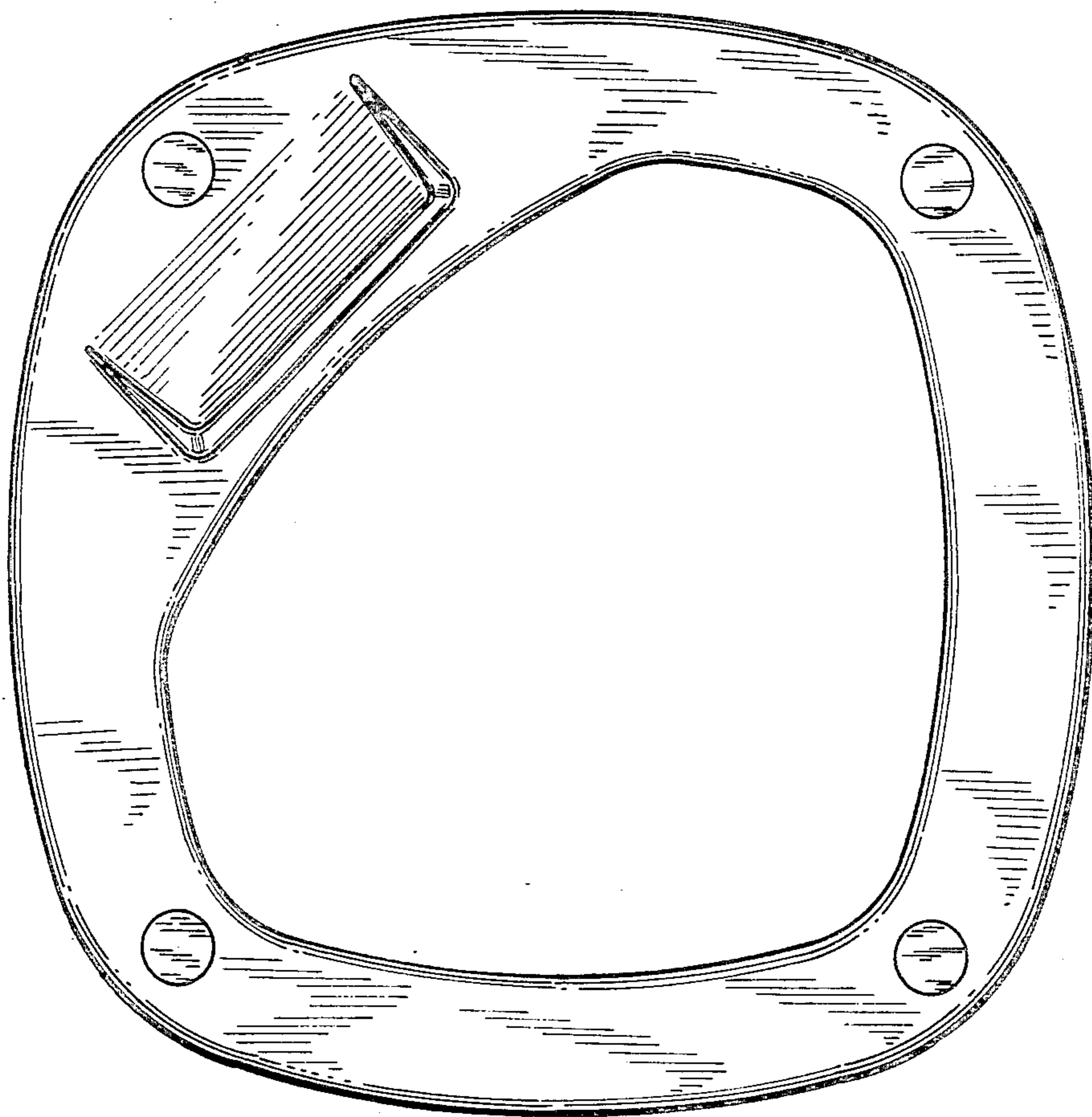


FIG. 3

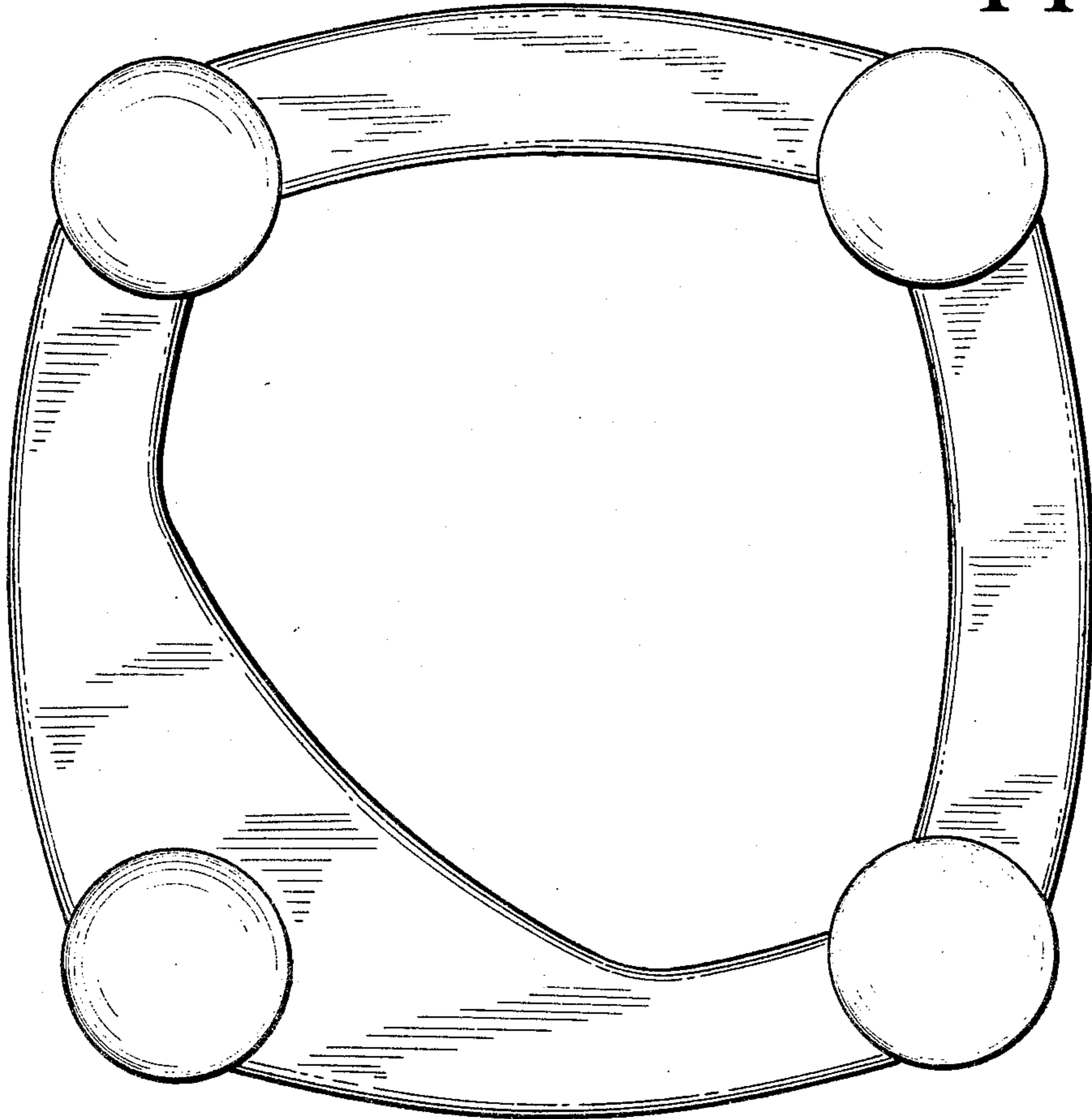


FIG. 4

