

[54] BATHTUB SPOUT

[75] Inventor: Stanley M. Paul, Rye, N.Y.

[73] Assignee: Paul Associates, Inc., Long Island City, N.Y.

[\*\*] Term: 14 Years

[21] Appl. No.: 632,177

[22] Filed: Jul. 19, 1984

[52] U.S. Cl. .... D23/32

[58] Field of Search ..... D23/23-27,  
D23/32; 4/119, 192; 137/606, 801

[56] References Cited

U.S. PATENT DOCUMENTS

D. 268,949 5/1983 Delepine ..... D23/32

3,801,997 4/1974 Ward ..... 4/191  
4,334,328 6/1982 Delepine ..... 4/191  
4,513,458 4/1985 Delepine ..... 4/192

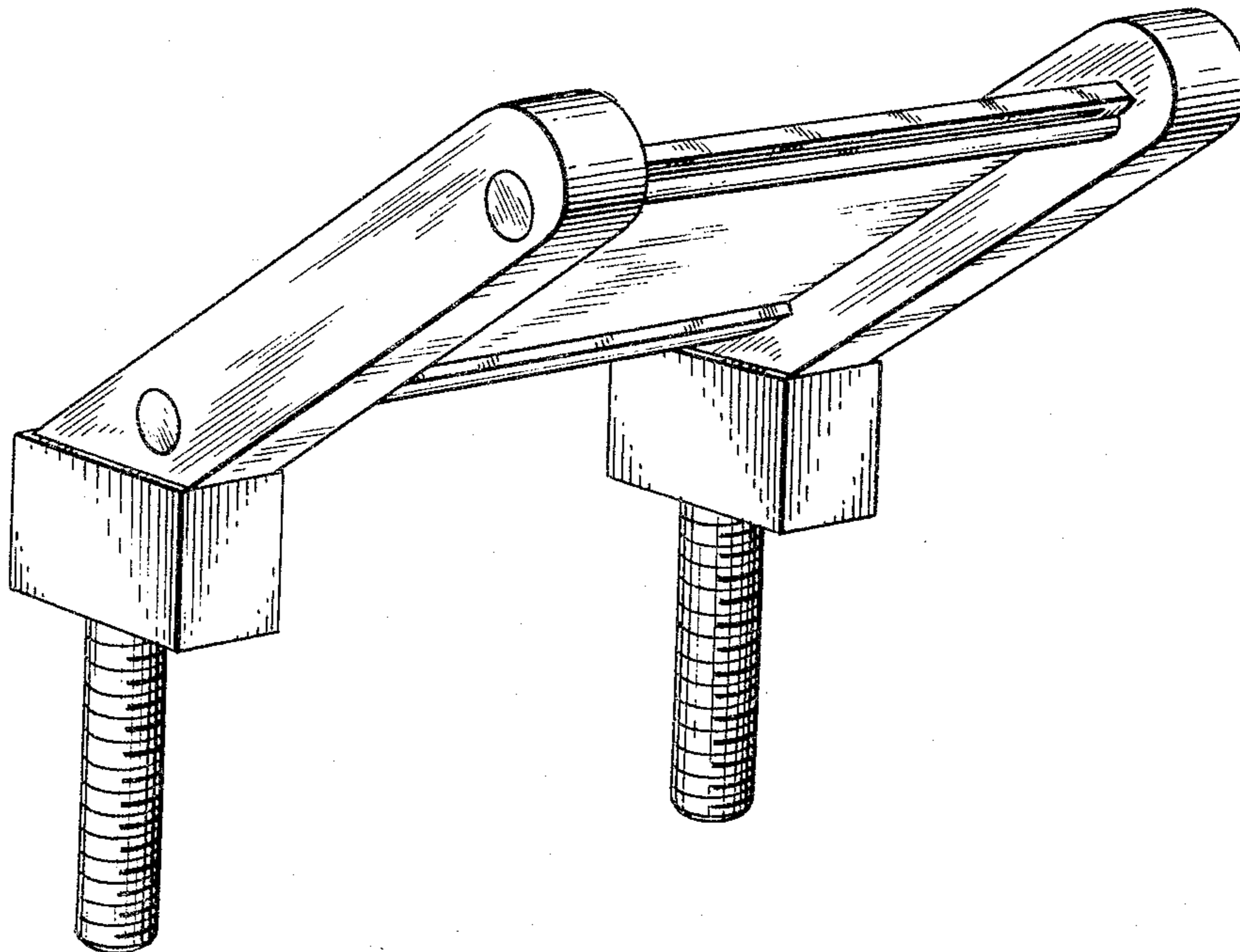
Primary Examiner—James R. Largen  
Attorney, Agent, or Firm—Blum, Kaplan, Friedman,  
Silberman & Beran

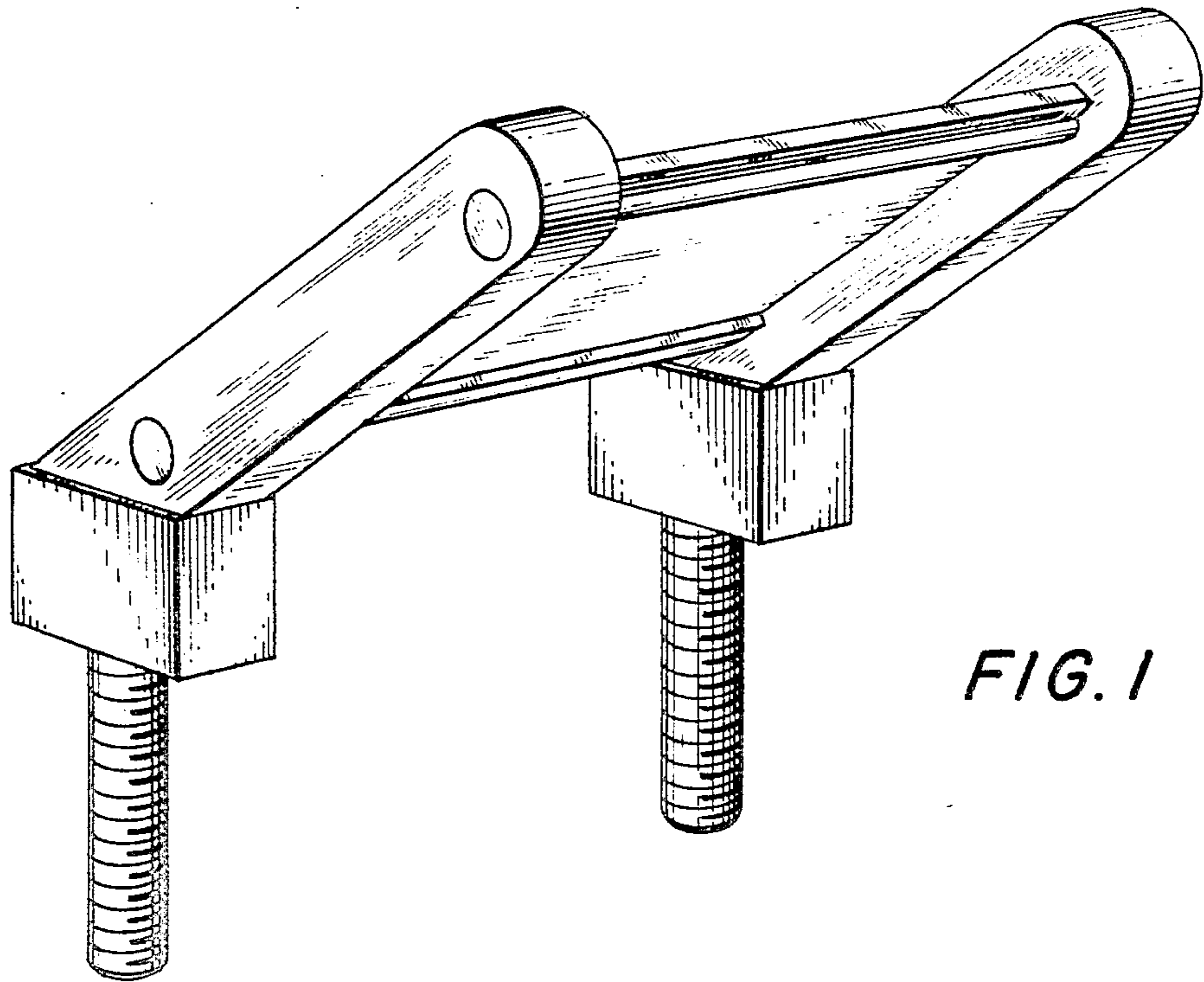
[57] CLAIM

The ornamental design for a bathtub spout, as shown.

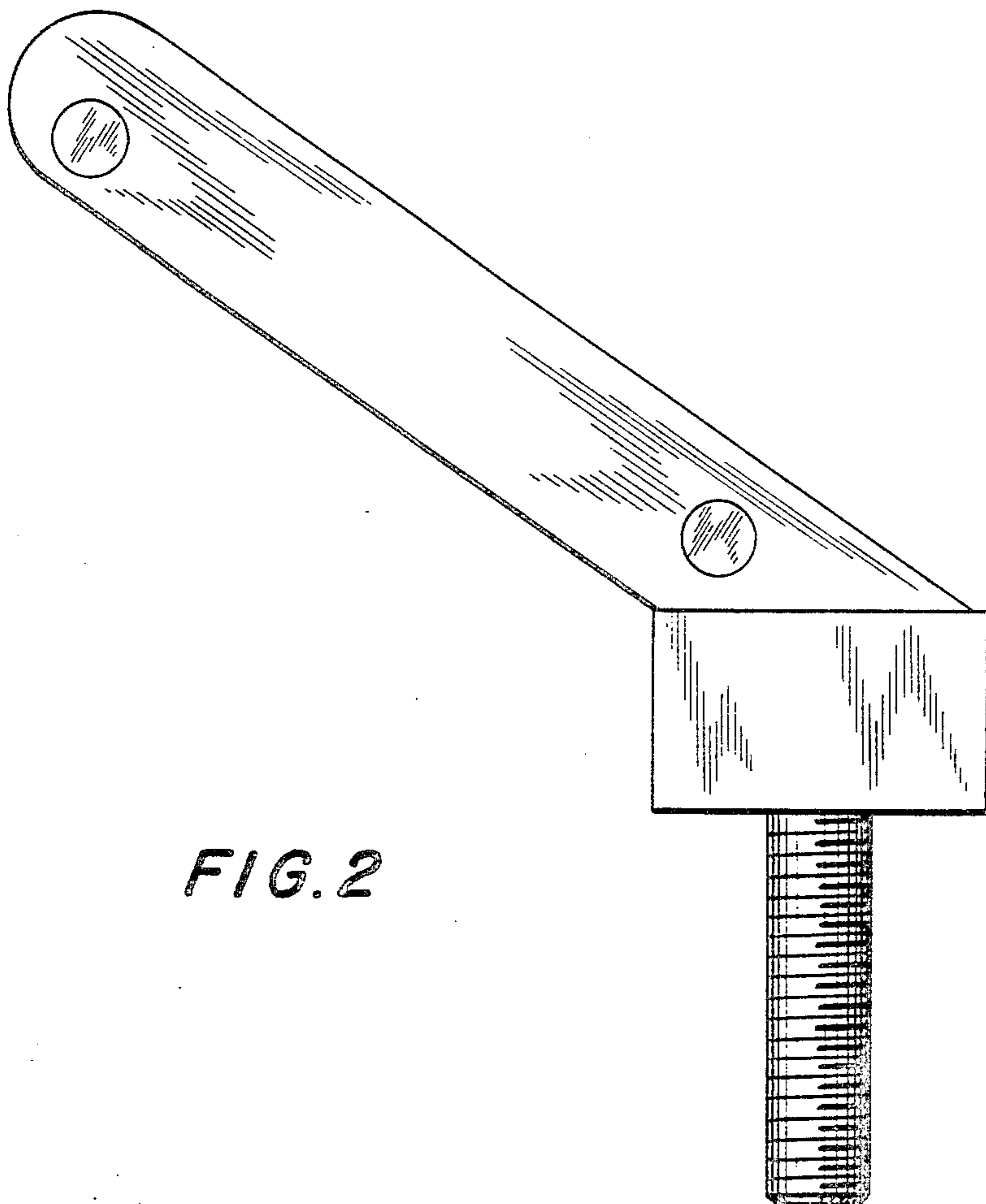
DESCRIPTION

FIG. 1 is a perspective view taken from the top, front and left side of a bathtub spout showing my new design; FIG. 2 is a right side elevational view thereof; FIG. 3 is a top plan view thereof; FIG. 4 is a front elevational view thereof; FIG. 5 is a rear elevational view thereof; and FIG. 6 is a bottom plan view thereof.





*FIG. 1*



*FIG. 2*

FIG. 3

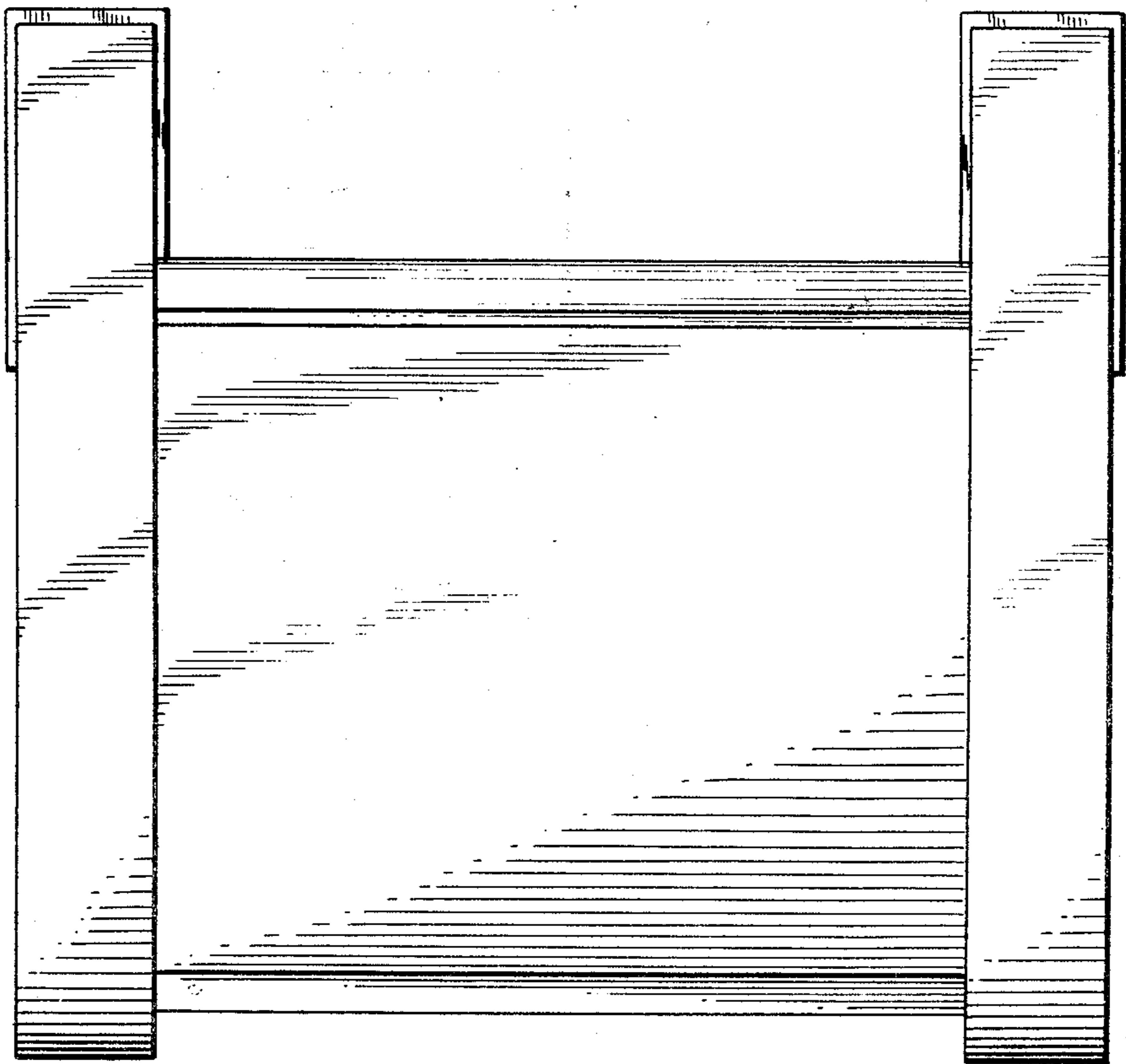
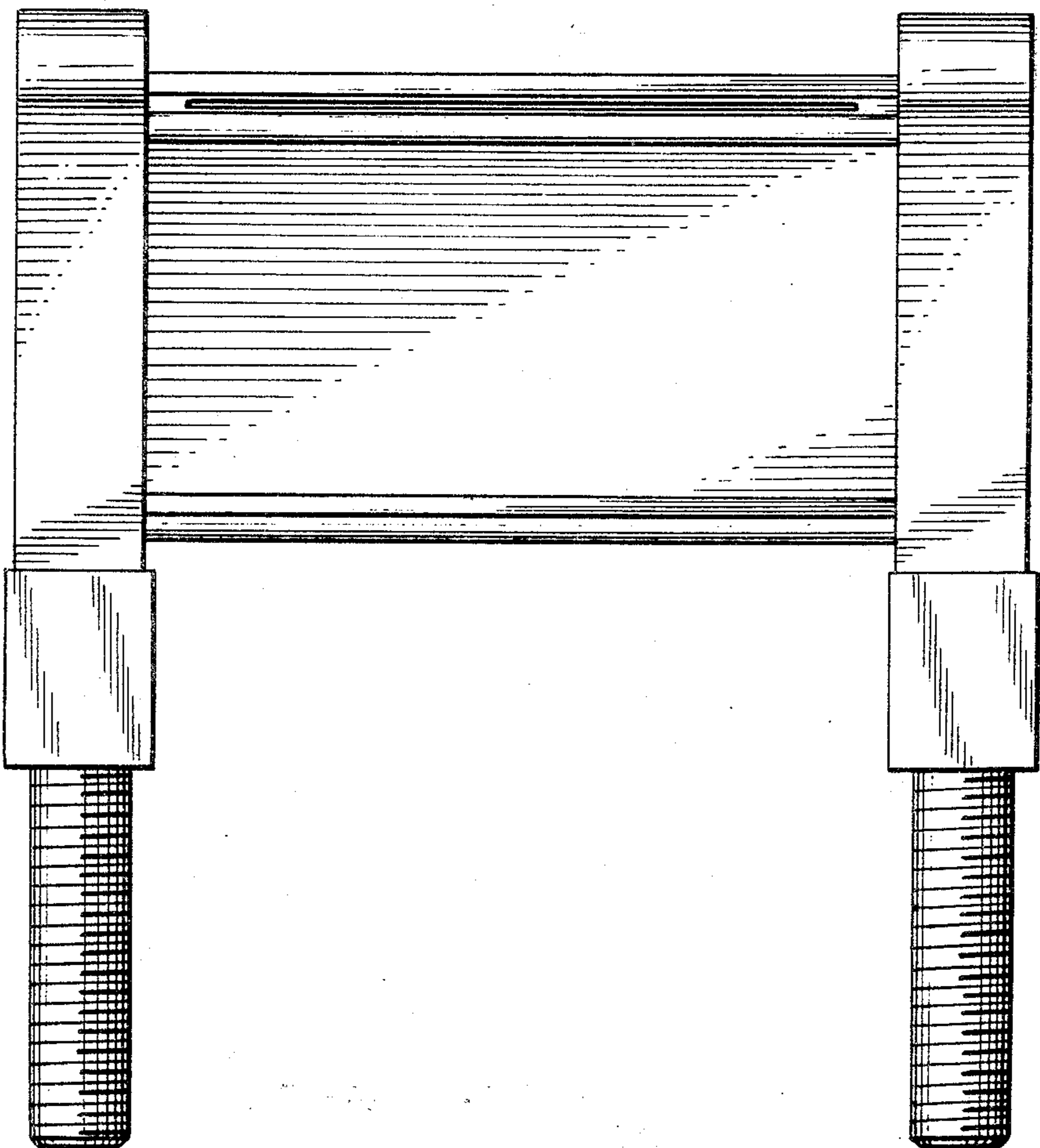
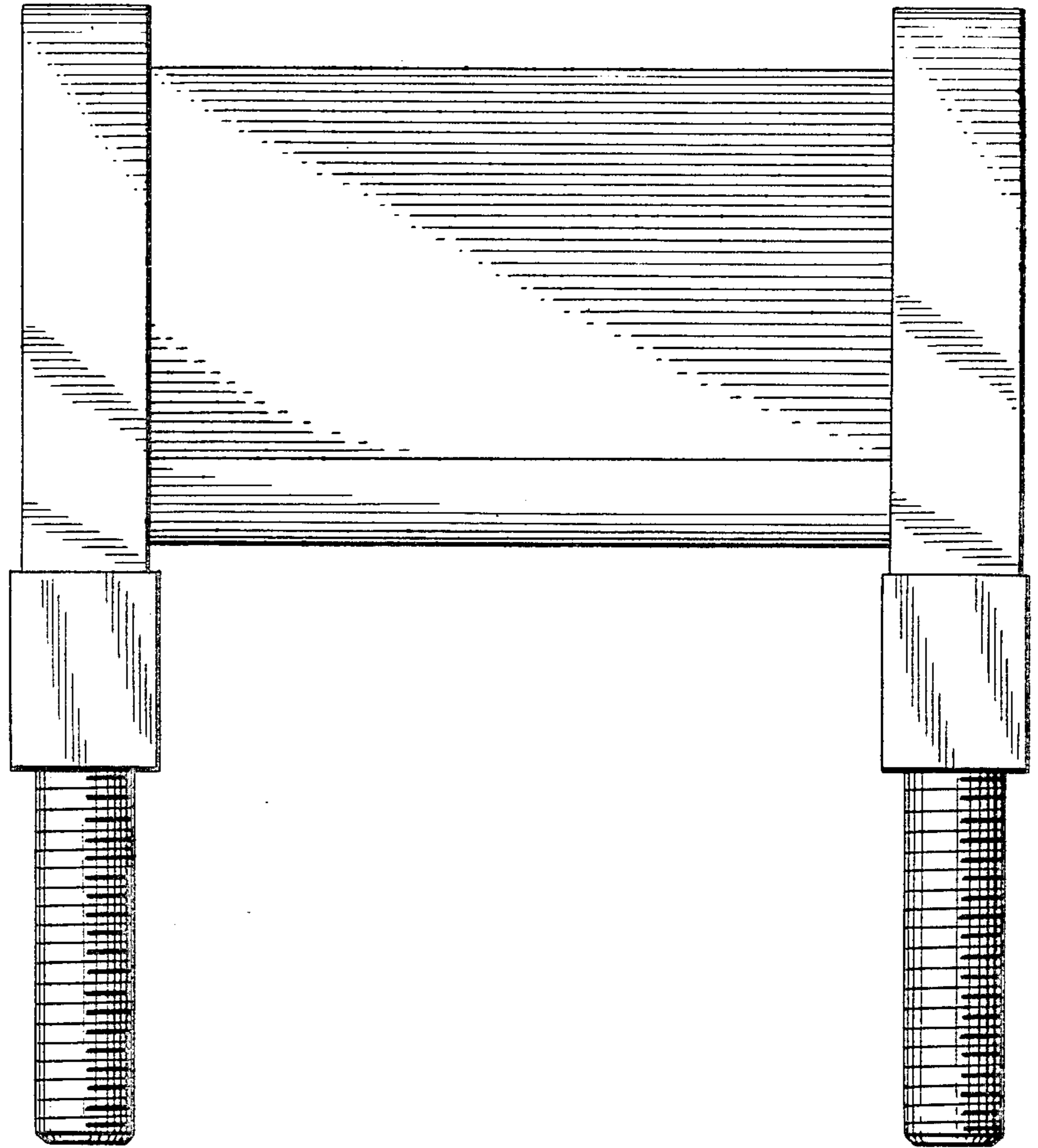


FIG. 4



*FIG. 5*



*FIG. 6*

