

[54] **YOKE FOR A SPRINKLER**

[75] **Inventors: William R. McLennan, Easton, Pa.;
Robert Rung, Hopatcong, N.J.**

[73] **Assignee: Victaulic Company of America,
Easton, Pa.**

[*] **Notice: The portion of the term of this patent
subsequent to Jan. 27, 2001 has been
disclaimed.**

[**] **Term: 14 Years**

[21] **Appl. No.: 619,806**

[22] **Filed: Jun. 12, 1984**

[52] **U.S. Cl. D23/7**

[58] **Field of Search D23/6-9;
169/37-40, 42; 285/32, 302; 239/222.17, 600,
524, 562**

[56] **References Cited**

U.S. PATENT DOCUMENTS

D. 26,255	11/1896	Esty	D23/6
2,864,652	12/1958	O'Brien et al.	239/524
4,083,410	4/1978	Anderson	169/37
4,117,887	10/1978	Anderson	169/37
4,185,781	1/1980	O'Brien	239/600
4,403,661	9/1983	Tokar	169/37 X

Primary Examiner—Wallace R. Burke

Assistant Examiner—Brian N. Vinson

Attorney, Agent, or Firm—Abelman, Frayne, Rezac & Schwab

[57] **CLAIM**

The ornamental design for a yoke for a sprinkler, as shown.

DESCRIPTION

FIG. 1 is a front elevation of a yoke for a sprinkler showing my new design;

FIG. 2 is a rear elevation thereof;

FIG. 3 is a top plan view thereof;

FIG. 4 is a bottom plan view thereof;

FIG. 5 is a right side elevation thereof; and

FIG. 6 is a left side elevation thereof.

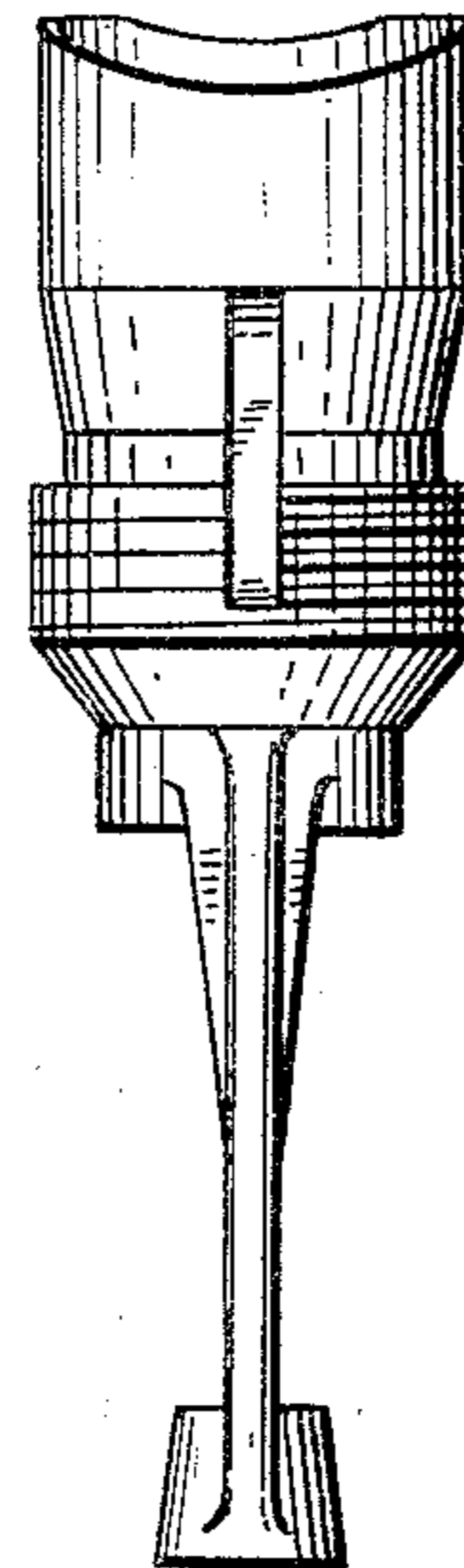
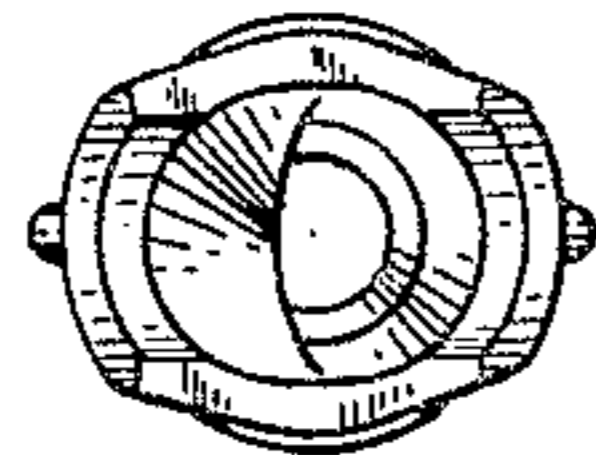
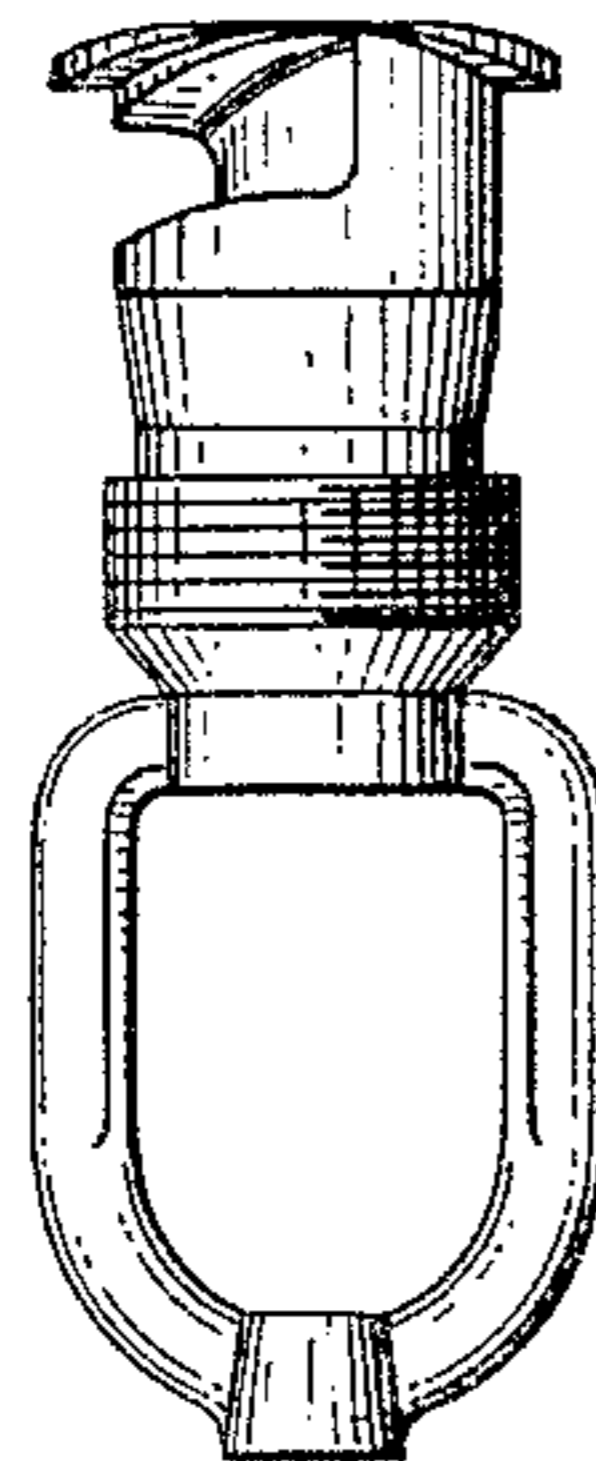


FIG. 2

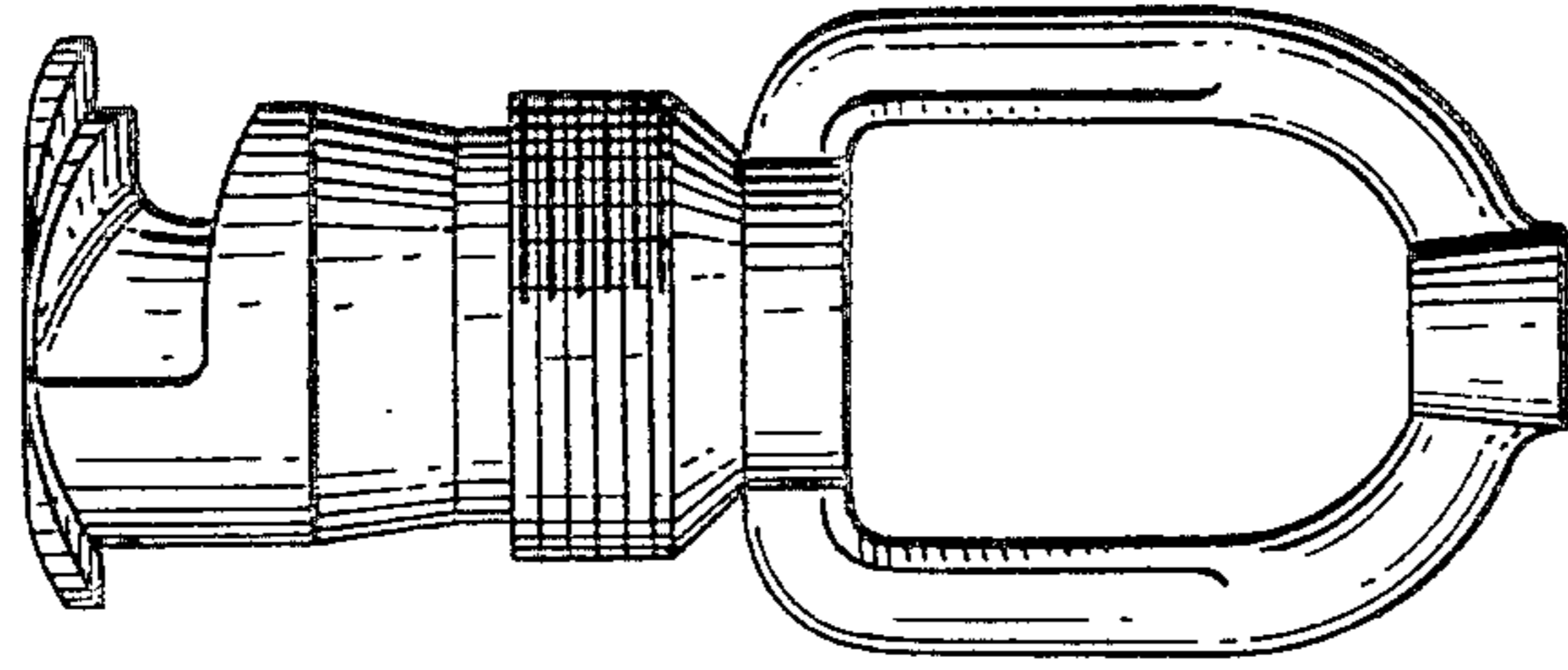


FIG. 4

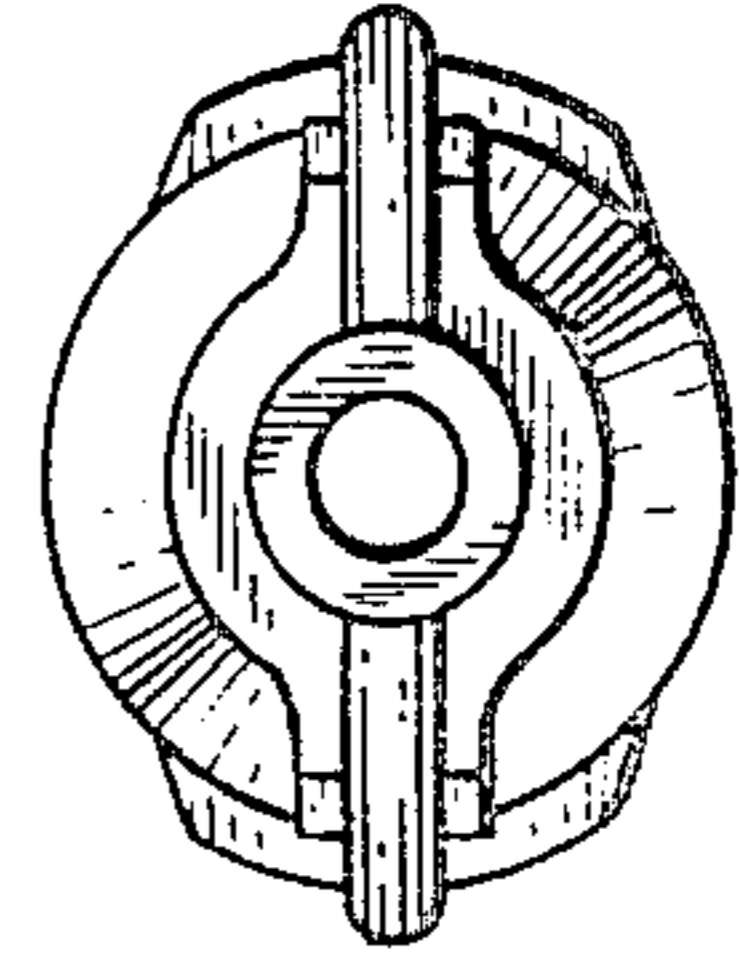


FIG. 1

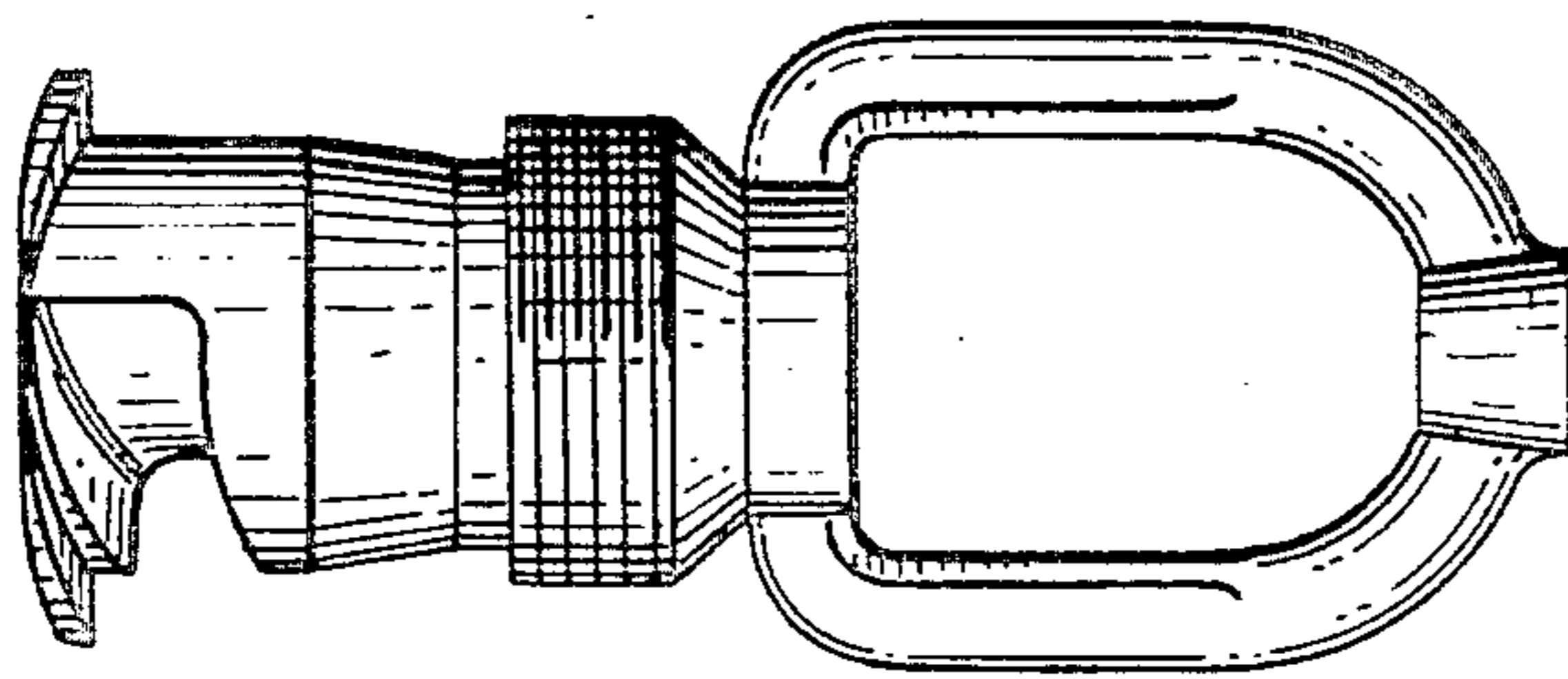


FIG. 3

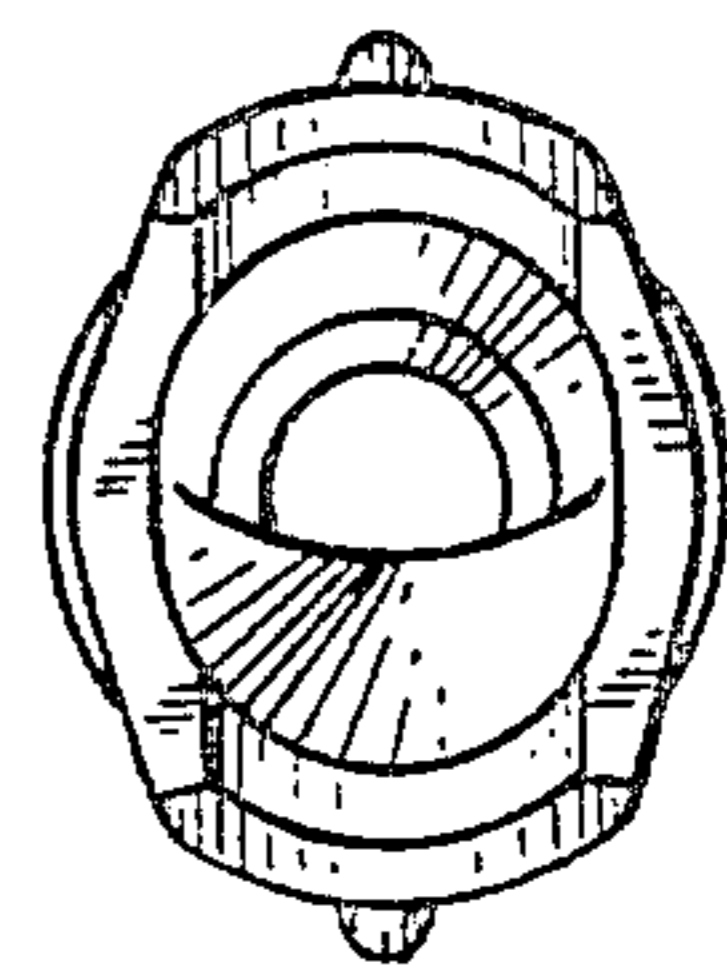


FIG. 6

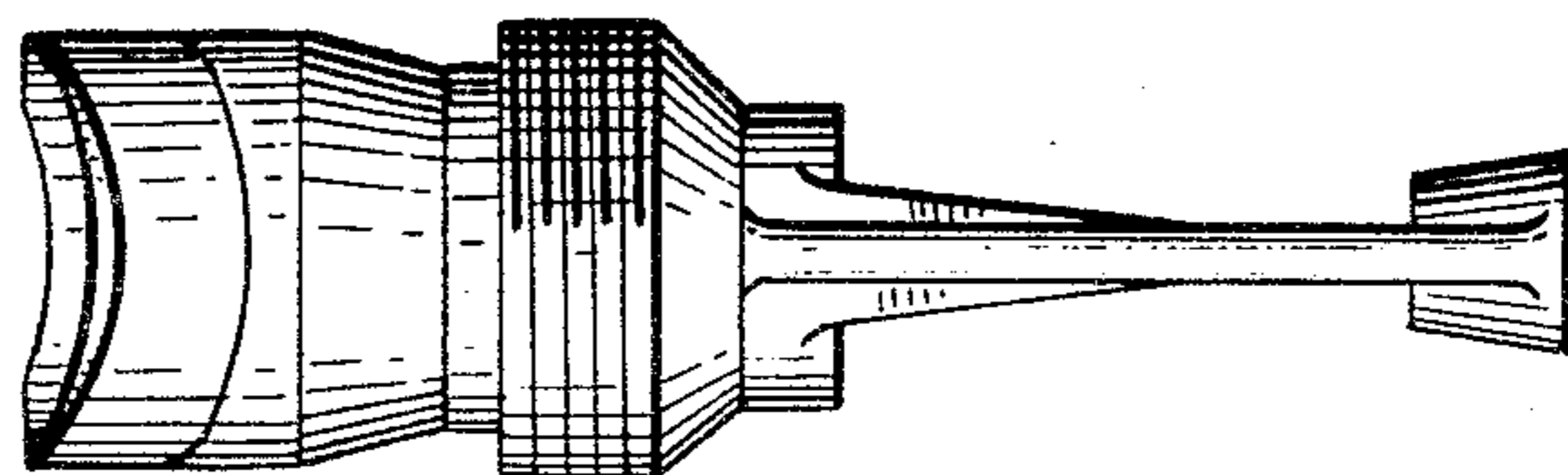


FIG. 5

