

[54] HANDLE BODY FOR A FISHING ROD

[75] Inventor: Casey J. Childre, Foley, Ala.

[73] Assignee: Lew Childre & Sons, Inc., Foley, Ala.

[*] Notice: The portion of the term of this patent subsequent to Feb. 3, 2001 has been disclaimed.

[**] Term: 14 Years

[21] Appl. No.: 588,525

[22] Filed: Mar. 12, 1984

[52] U.S. Cl. D22/142

[58] Field of Search 43/22, 23, 18.1, 20; D22/23, 26

[56] References Cited

U.S. PATENT DOCUMENTS

- D. 252,639 8/1979 Ohmura D22/23
- D. 274,169 6/1984 Ohmura D22/23
- 4,485,580 12/1984 Ohmura 43/22

FOREIGN PATENT DOCUMENTS

839582 6/1960 United Kingdom 43/22

Primary Examiner—A. Hugo Word
Attorney, Agent, or Firm—Lockwood, Alex, FitzGibbon & Cummings

[57] CLAIM

The ornamental design for a handle body for a fishing rod, substantially as shown and described.

DESCRIPTION

FIG. 1 is a side elevation view of a handle body for a fishing rod showing my new design.

FIG. 2 is a top plan view.

FIG. 3 is a vertical sectional view taken along line 3—3 of FIG. 1.

FIG. 4 is a bottom plan view.

FIG. 5 is a vertical sectional view taken along line 5—5 of FIG. 1.

FIG. 6 is a vertical sectional view taken along line 6—6 of FIG. 1.

The broken line showing the grip and rod is for environmental purposes only and forms no part of the claimed design.

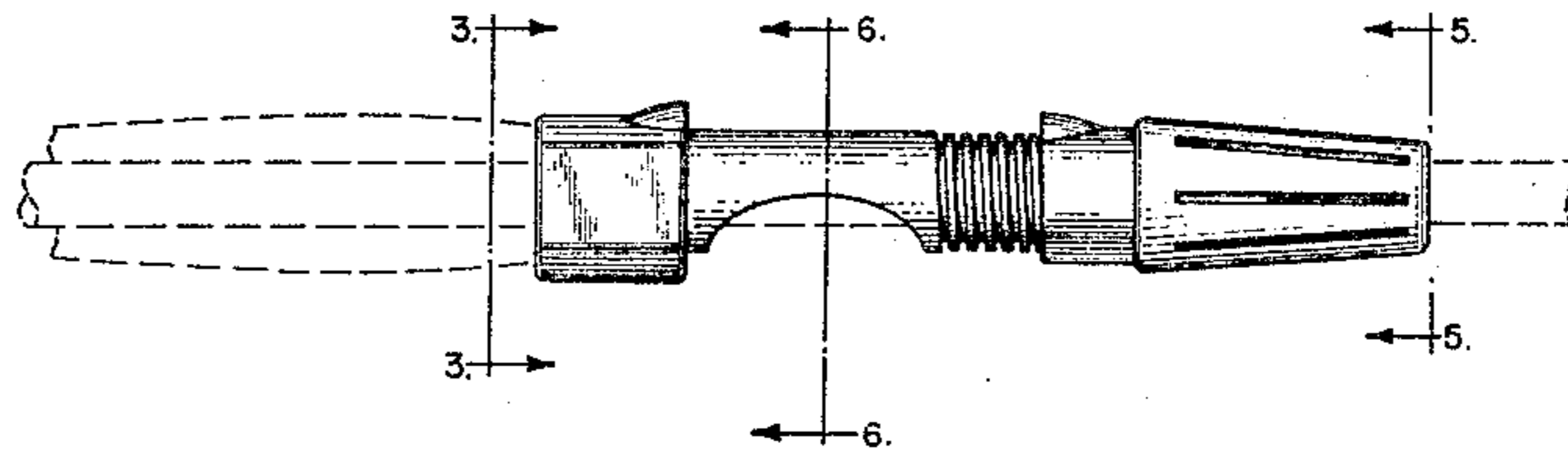
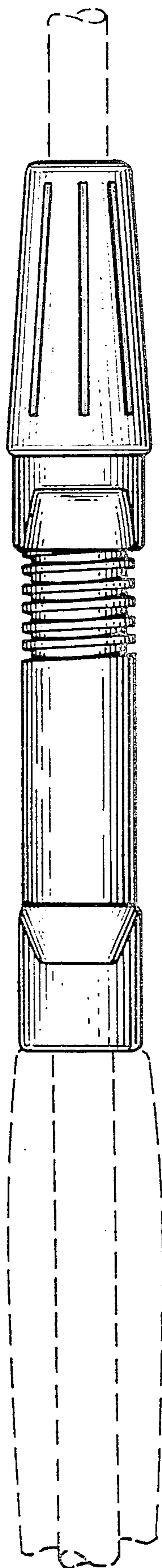


FIG. 2



3.



3.



6.



6.



5.



5.



5.



FIG. 1

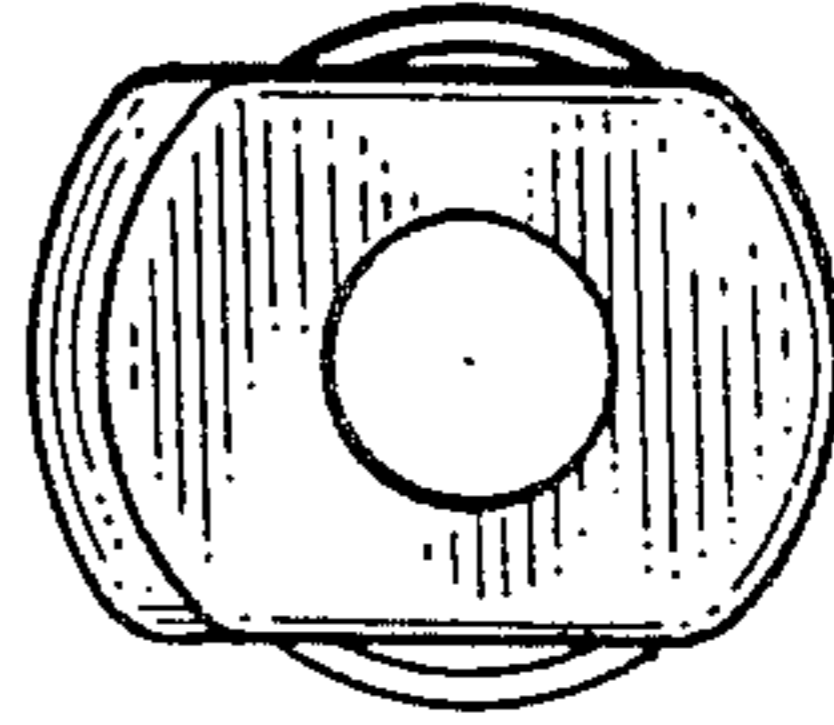
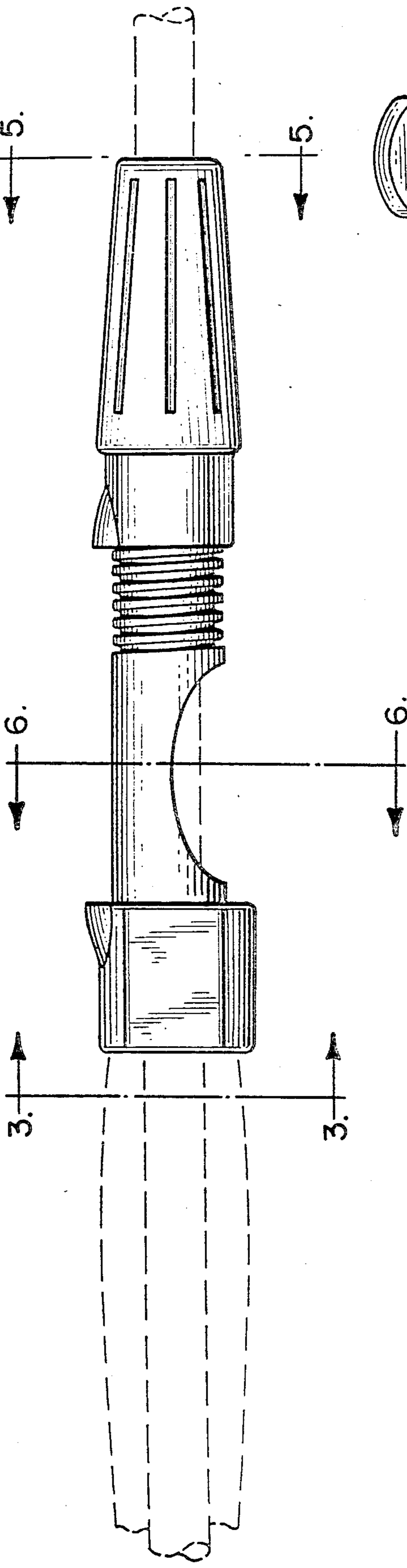


FIG. 3

FIG. 4

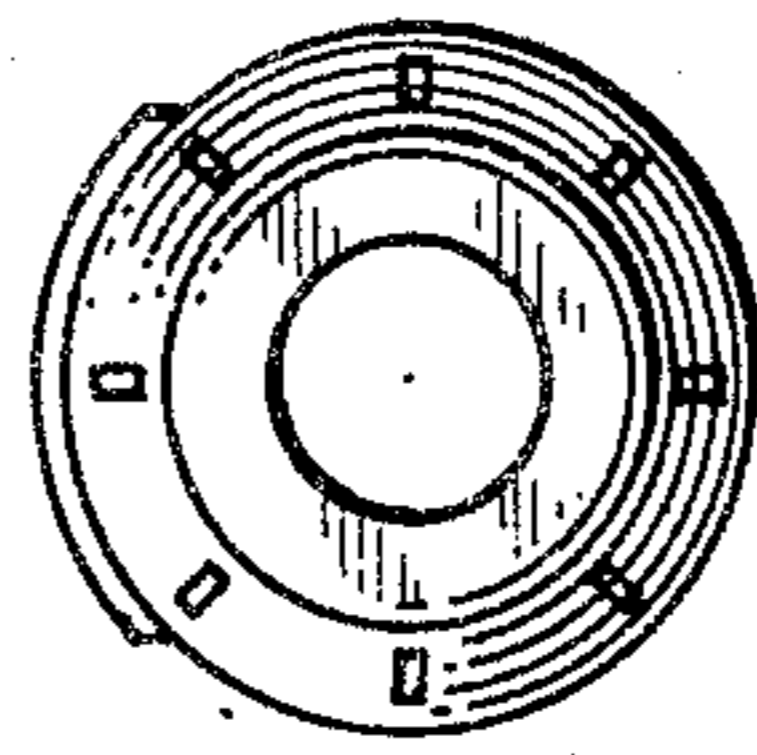
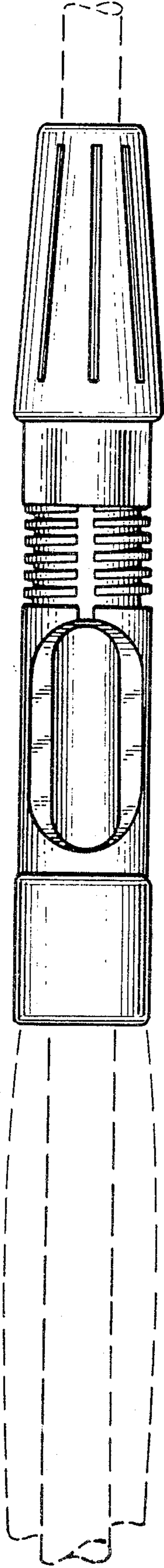


FIG. 5

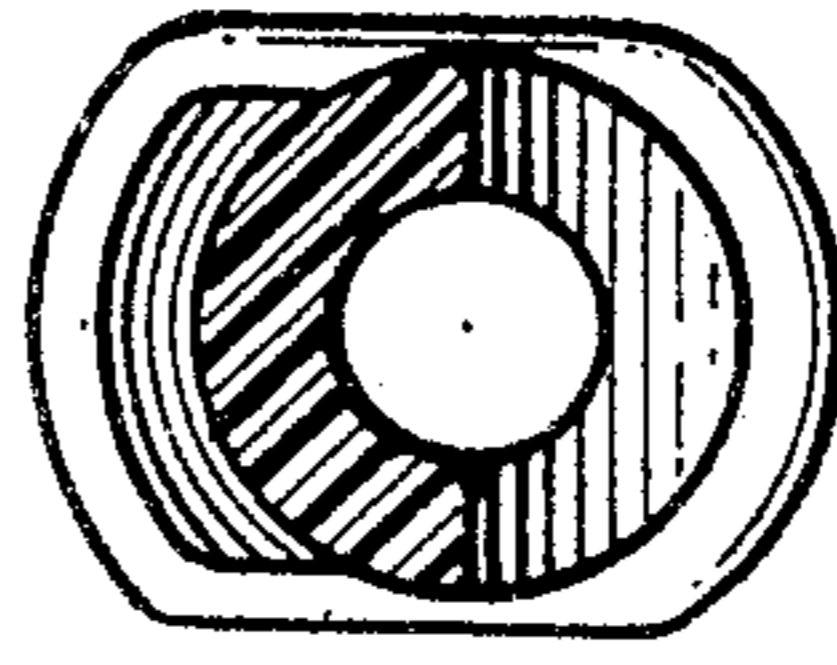


FIG. 6