

[54] OTTER BOARD

[75] Inventor: Koichi Tozaki, Tokyo, Japan

[73] Assignee: Nichimo Kabushiki Kaisha, Tokyo, Japan

[**] Term: 14 Years

[21] Appl. No.: 649,519

[22] Filed: Sep. 11, 1984

[52] U.S. Cl. D22/135

[58] Field of Search D22/135, 199; 43/9; 114/245

[56] References Cited

U.S. PATENT DOCUMENTS

2,504,091	4/1950	Scheel	43/9
3,299,560	1/1967	Luketa	43/9
3,366,969	1/1968	Luketa	43/9
3,410,014	11/1968	Jenssen	43/9

3,651,595	3/1972	Newman	43/9
4,045,901	9/1977	Prudenzi	43/9

Primary Examiner—B. J. Bullock
Attorney, Agent, or Firm—Robert E. Burns; Emmanuel J. Lobato; Bruce L. Adams

[57] CLAIM

The ornamental design for an otter board, substantially as shown and described.

DESCRIPTION

FIG. 1 is a front perspective view of an otter board showing my design;
FIG. 2 is a rear perspective view thereof;
FIG. 3 is a top plan view thereof;
FIG. 4 is a bottom plan view thereof;
FIG. 5 is a front elevational view thereof;
FIG. 6 is a right elevational view thereof;
FIG. 7 is a rear elevational view thereof and
FIG. 8 is a left side elevational view thereof.

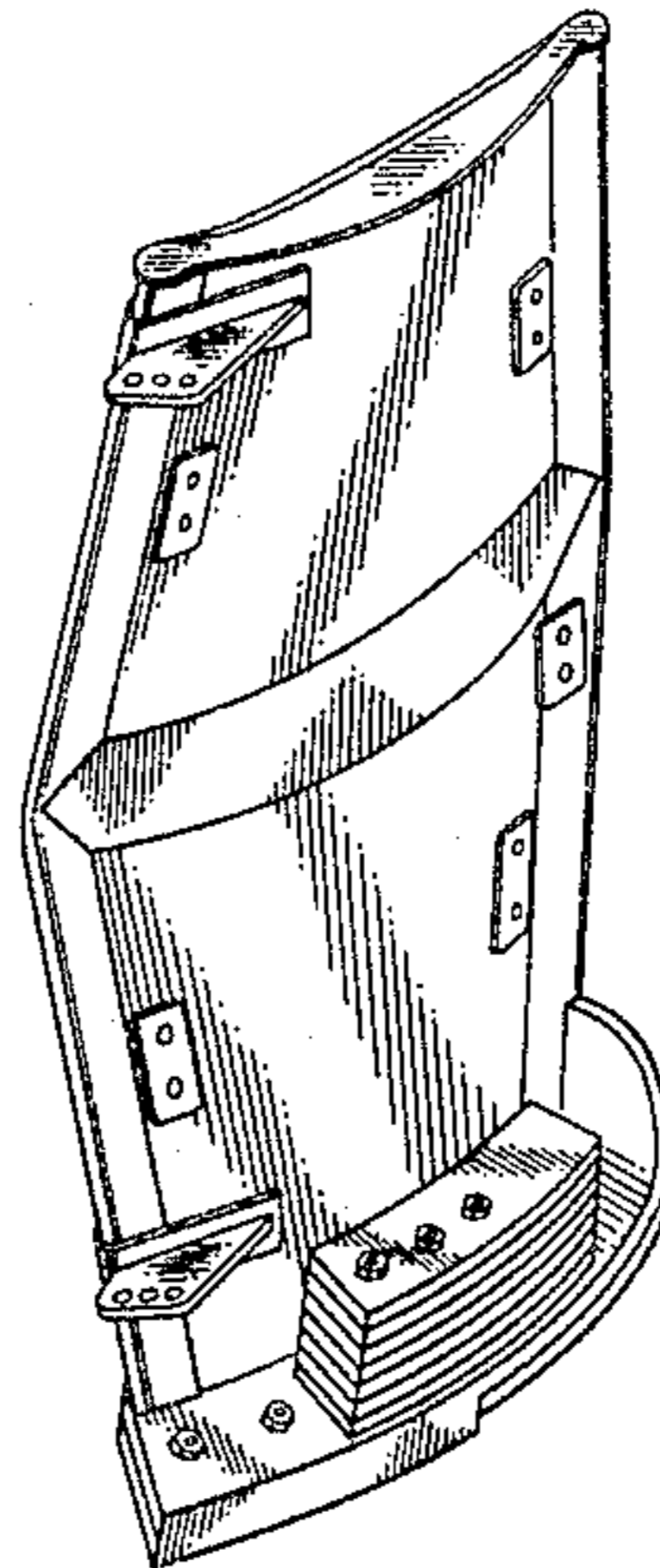
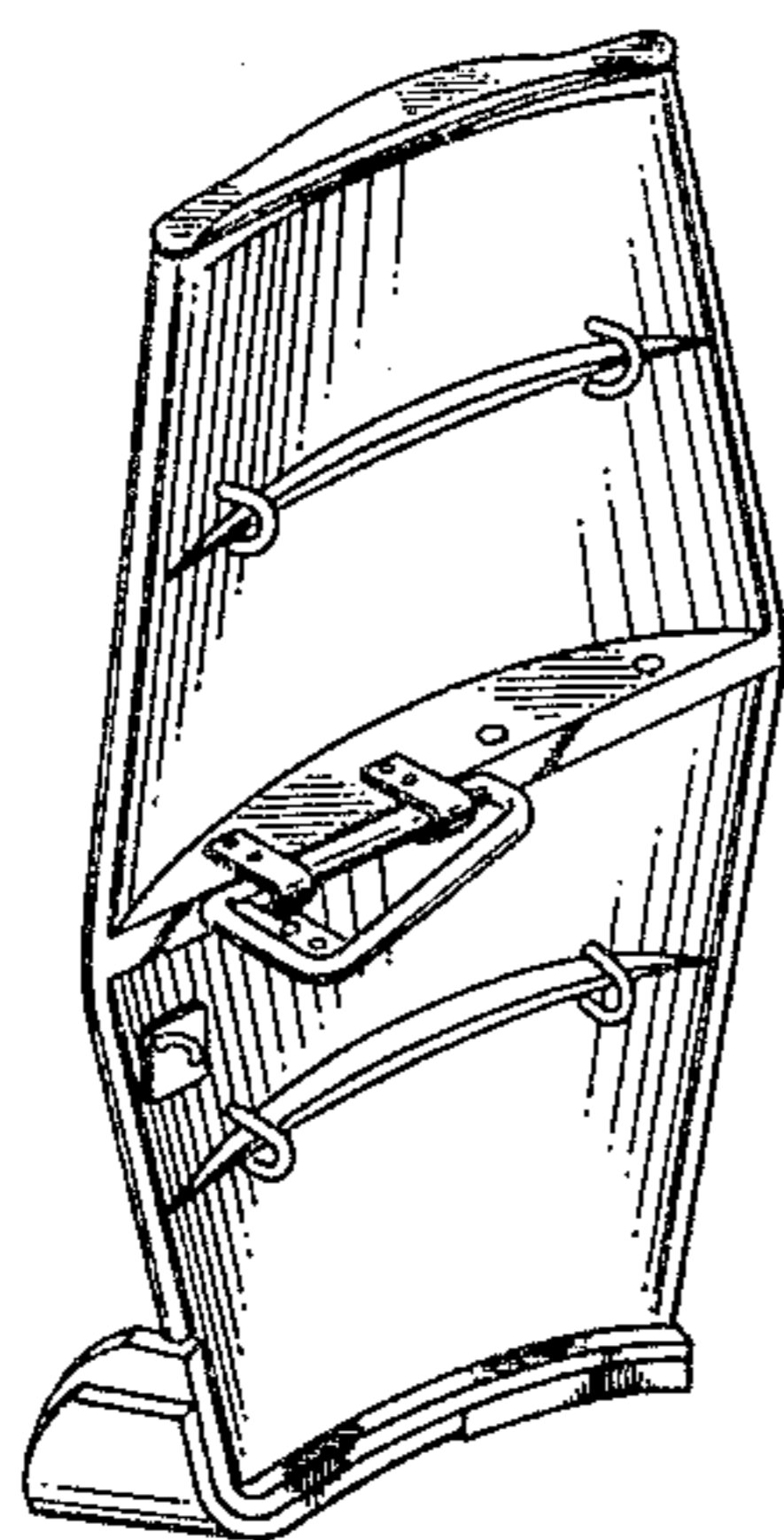


FIG. 1

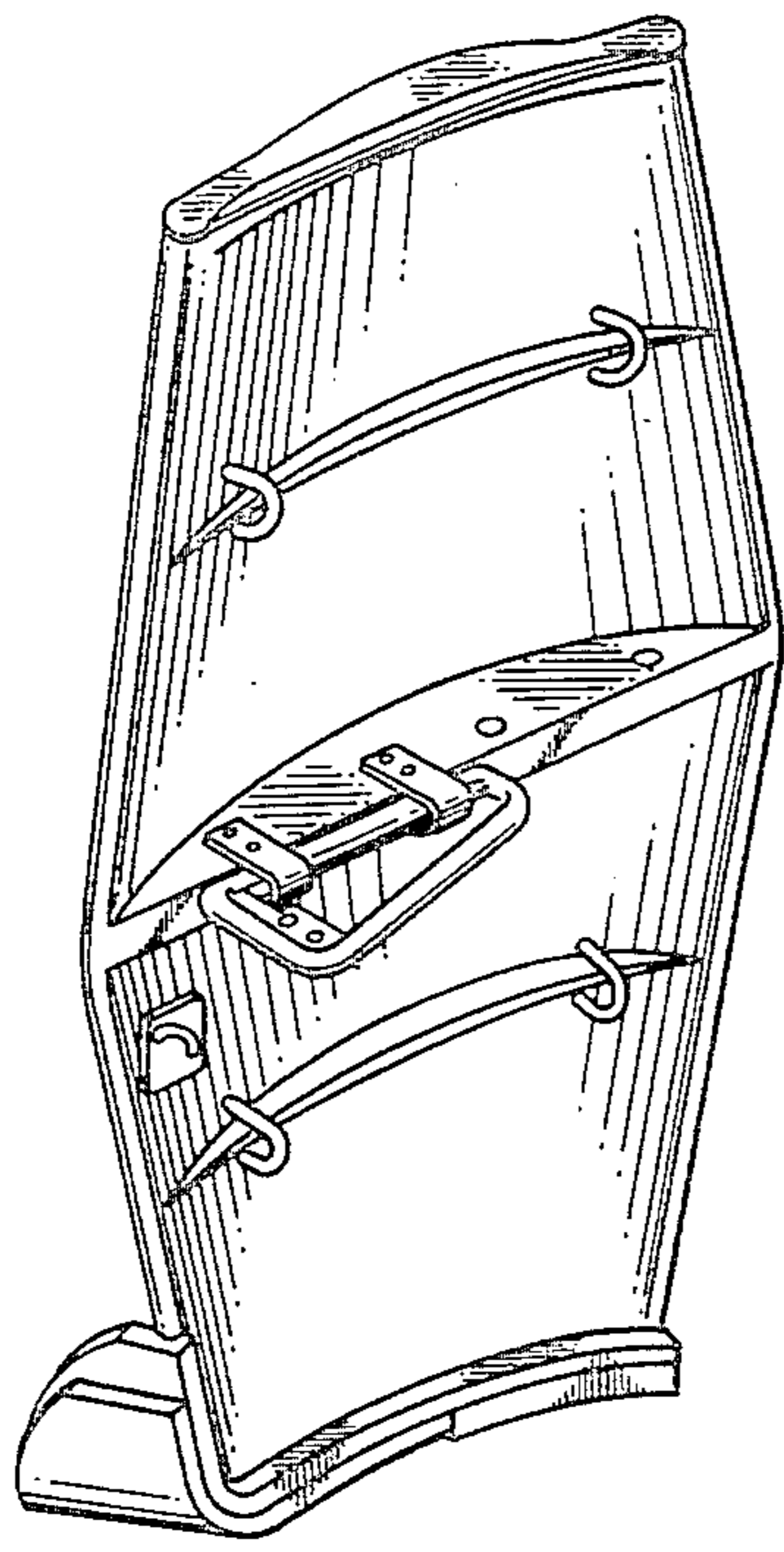


FIG. 2

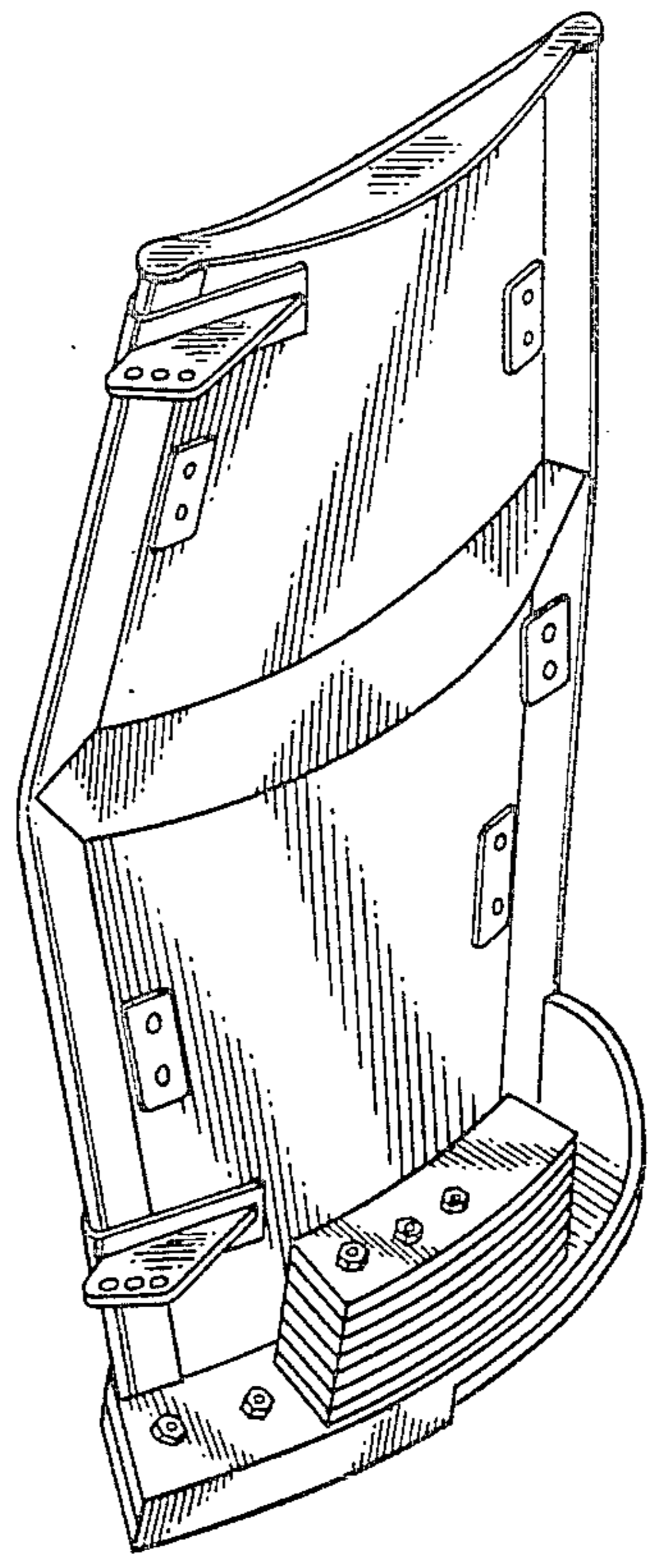


FIG. 3

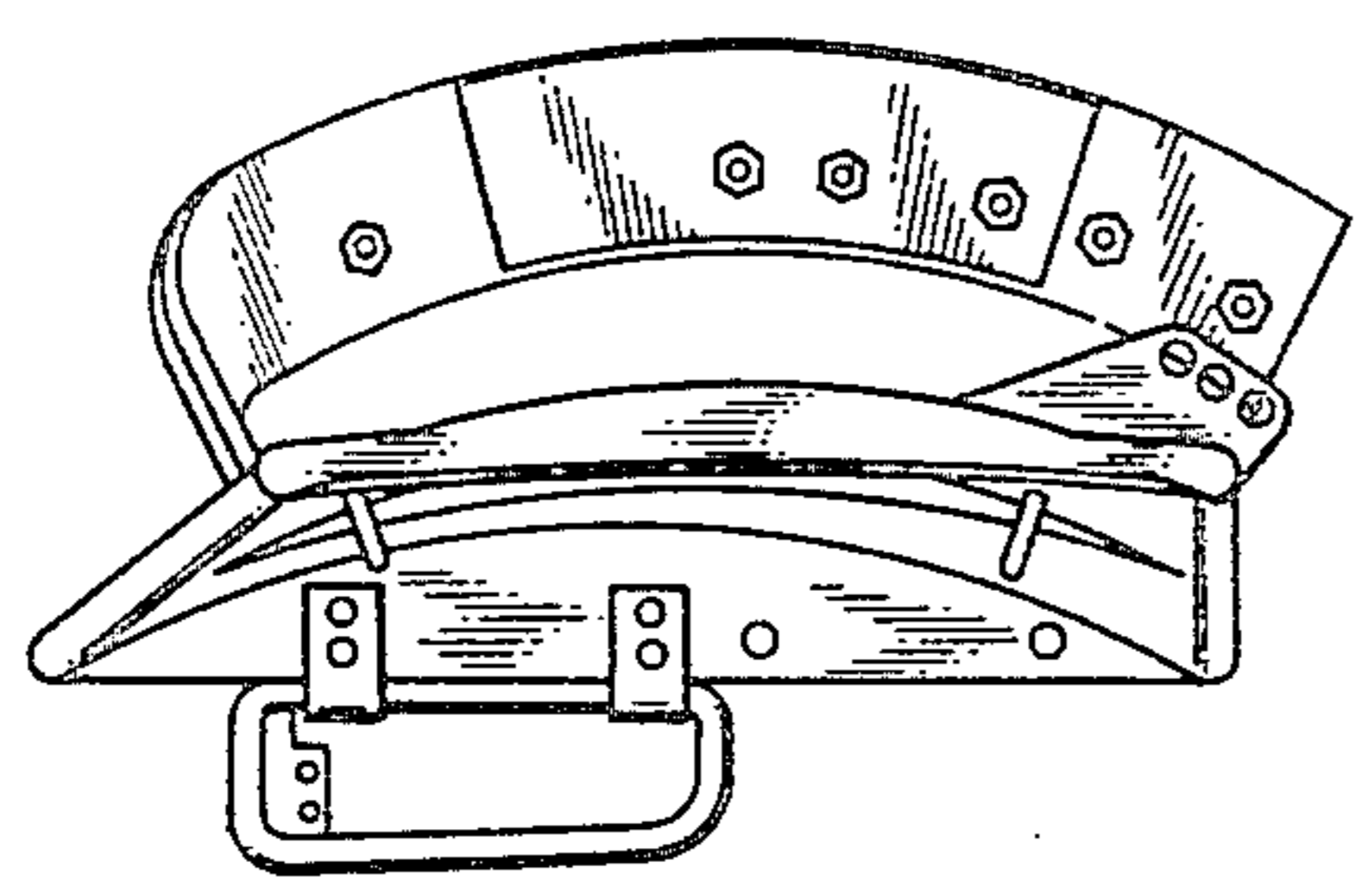


FIG. 4

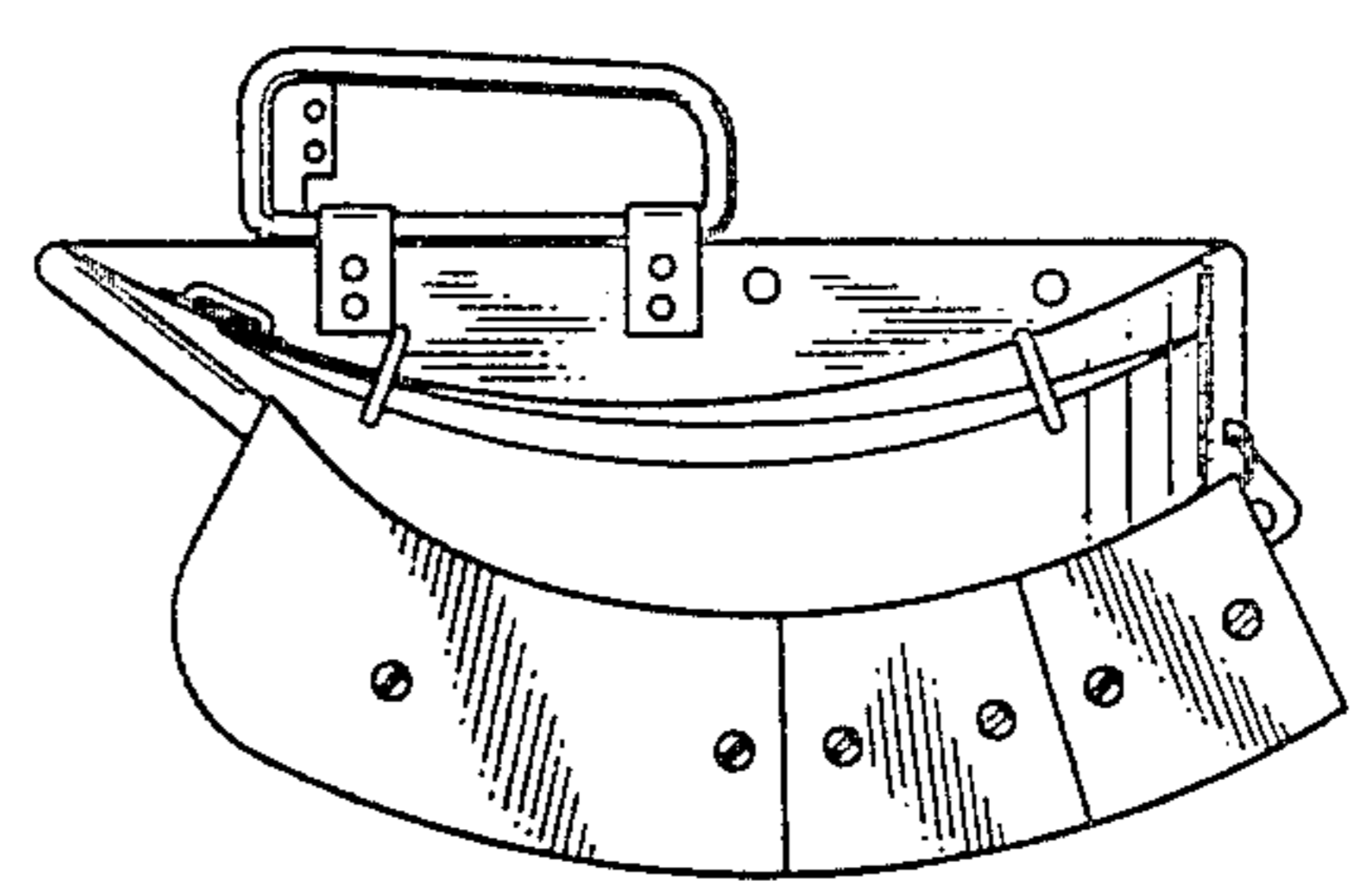


FIG. 5

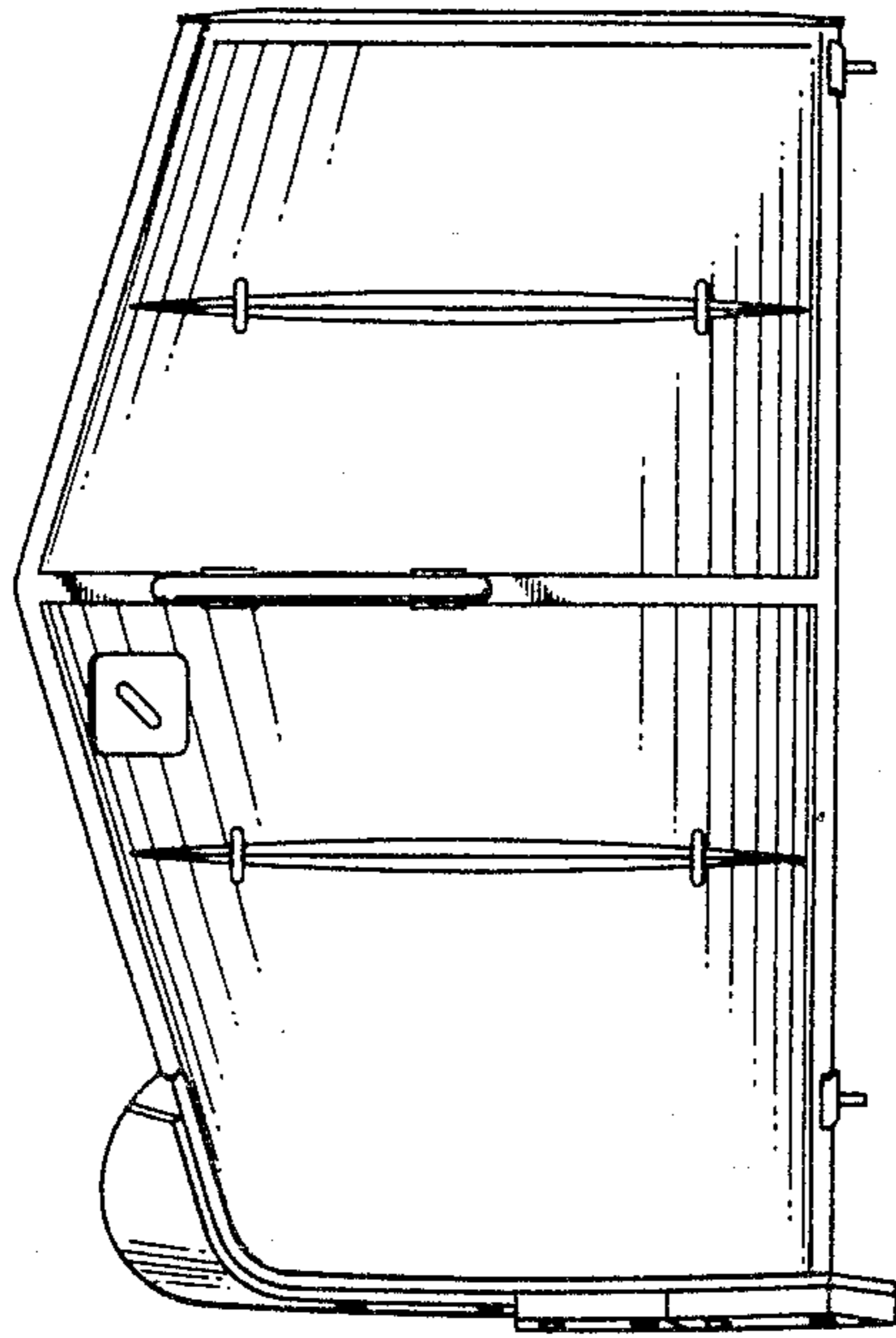


FIG. 7

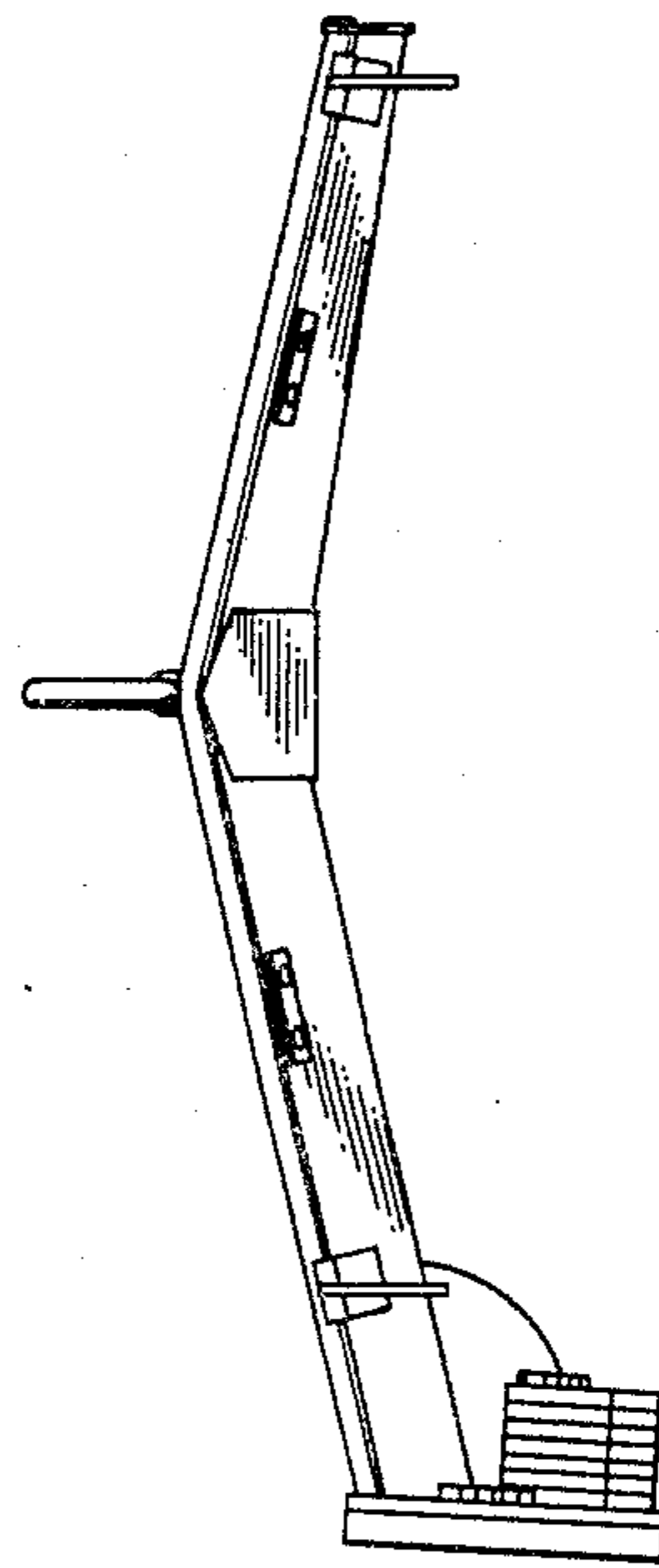


FIG. 6

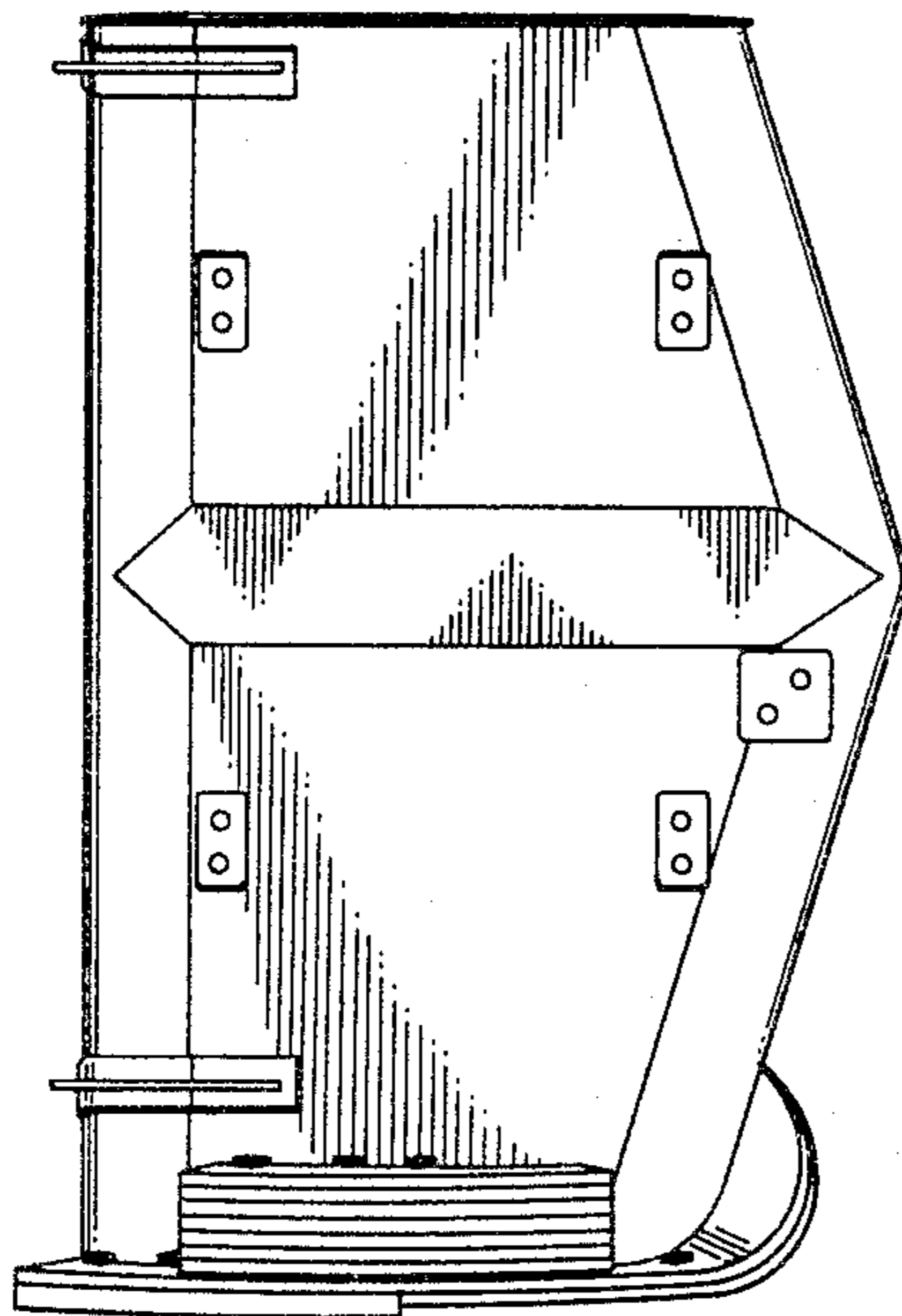


FIG. 8

