

[54] ROLLER SKATE

[75] Inventor: Reuben B. Klamer, Los Angeles, Calif.

[73] Assignee: The Quaker Oats Company, Chicago, Ill.

[*] Notice: The portion of the term of this patent subsequent to Jan. 27, 2001 has been disclaimed.

[**] Term: 14 Years

[21] Appl. No.: 547,647

[22] Filed: Nov. 1, 1983

[52] U.S. Cl. D21/226

[58] Field of Search D21/226, 227; 280/11.1 R, 11.19, 11.20, 11.27, 11.28

[56] References Cited

U.S. PATENT DOCUMENTS

D. 106,323	10/1937	Norman	D21/226
D. 180,333	5/1957	Jones et al.	D21/226
D. 188,333	7/1960	Budd	D21/226
D. 191,363	9/1961	Williams	D21/226
D. 240,952	8/1976	Roche	D21/226

Primary Examiner—Charles A. Rademaker
Attorney, Agent, or Firm—Cushman, Darby & Cushman

[57] CLAIM

The ornamental design for a roller skate, as shown and described.

DESCRIPTION

FIG. 1 is a top plan view of a roller skate showing my new design;
FIG. 2 is a left side elevational view thereof;
FIG. 3 is a bottom plan view thereof;
FIG. 4 is a rear elevational view thereof;
FIG. 5 is a right side elevational view thereof; and
FIG. 6 is a front elevational view thereof.

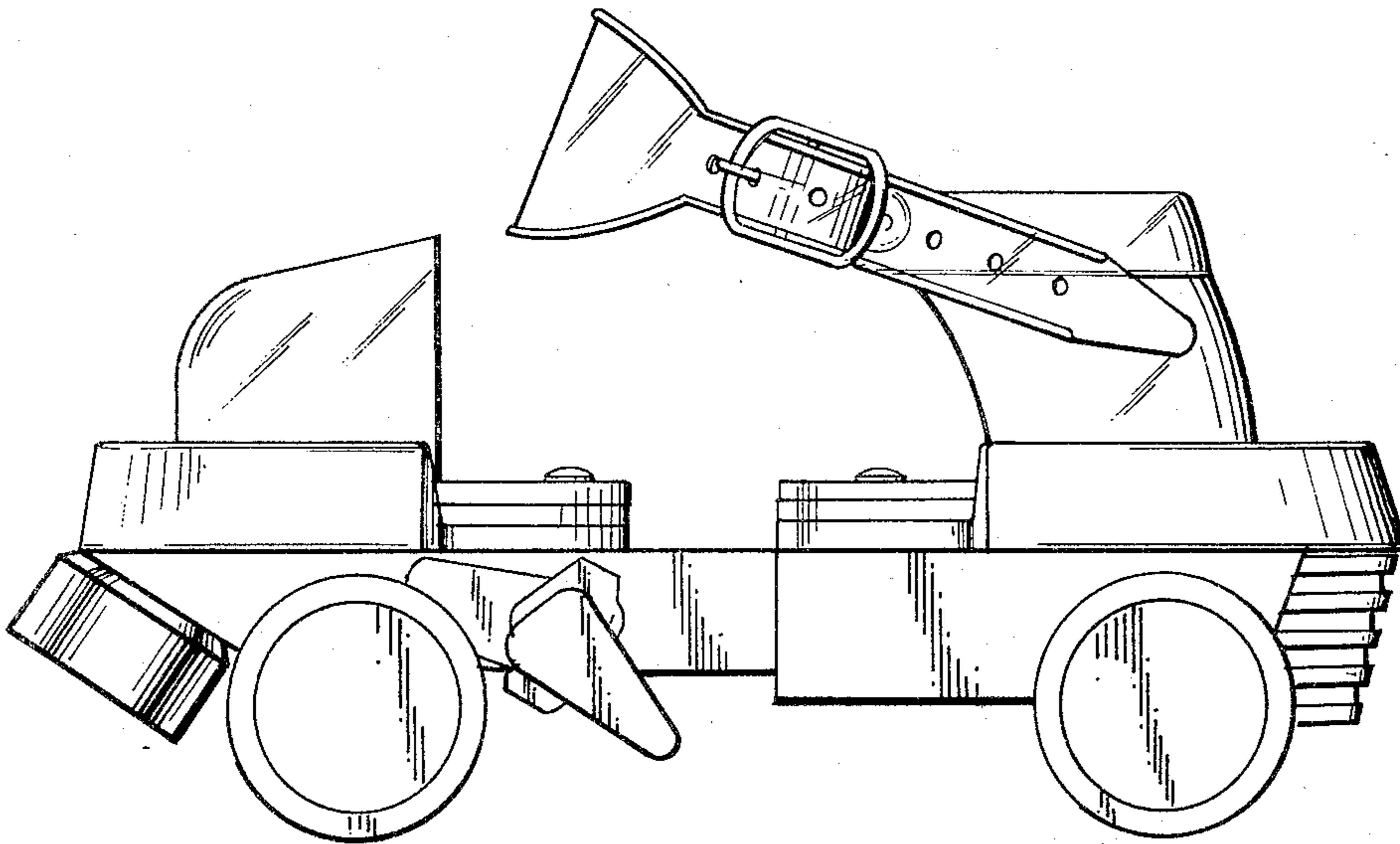


Fig. 1

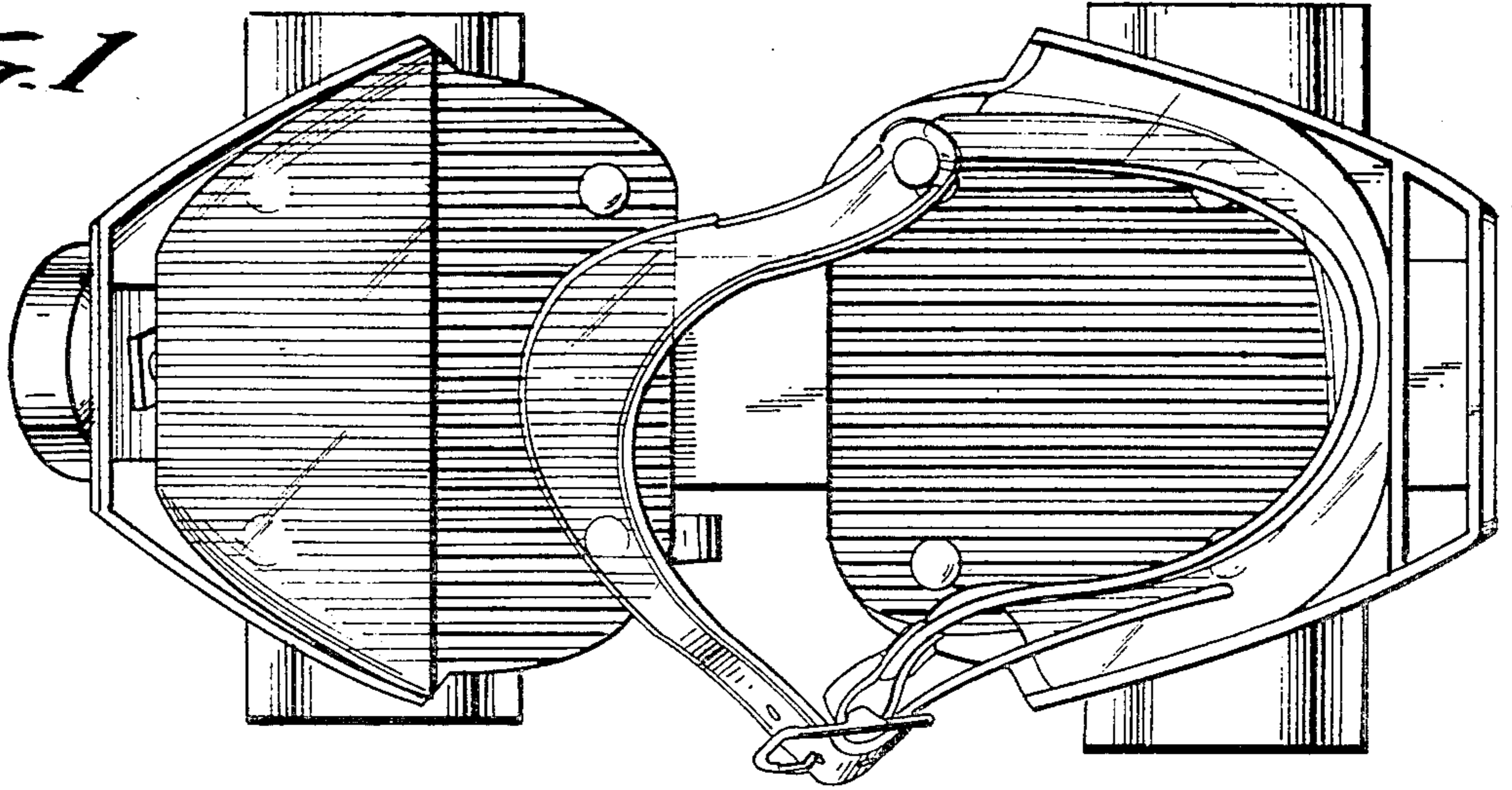


Fig. 2

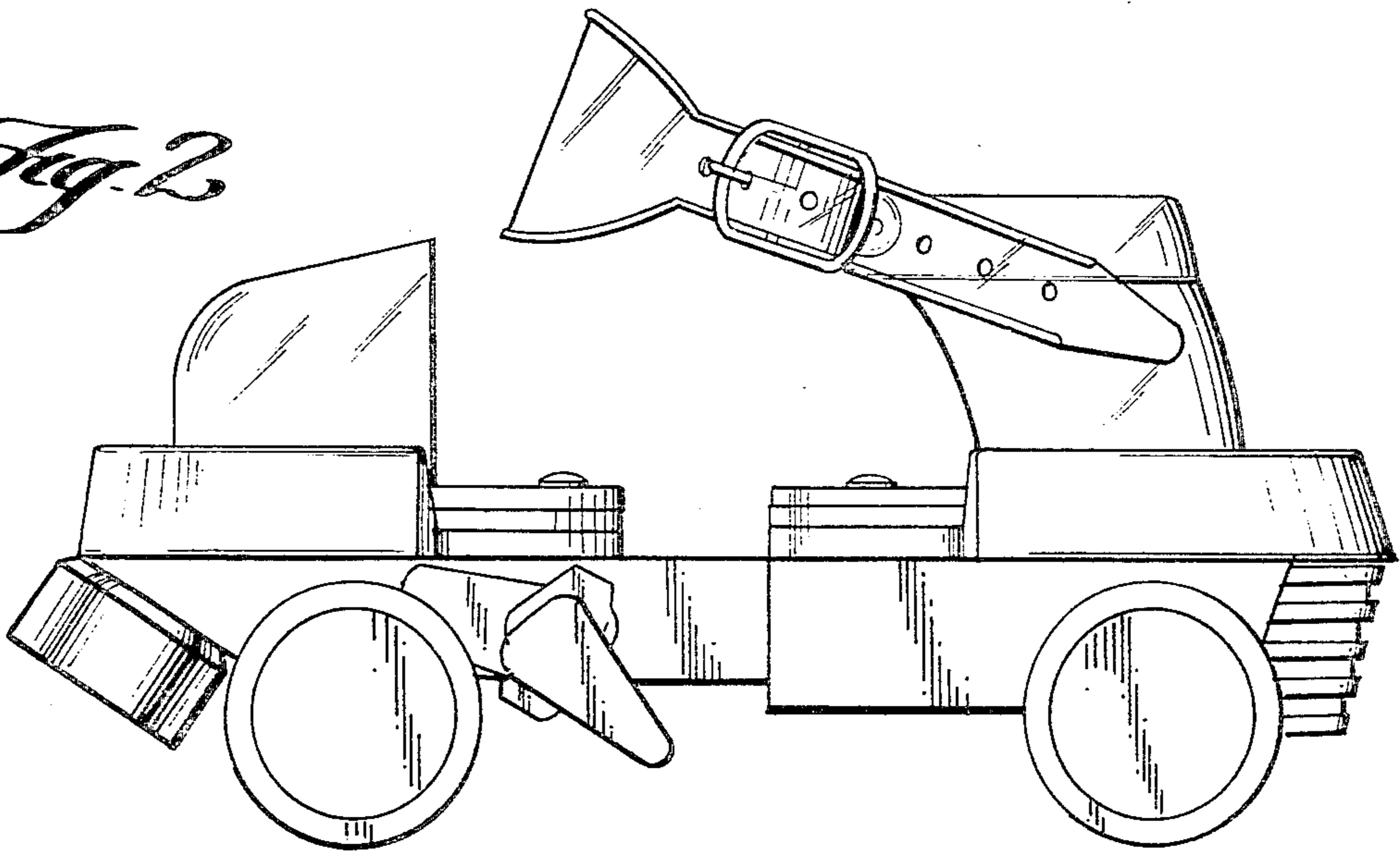


Fig. 3

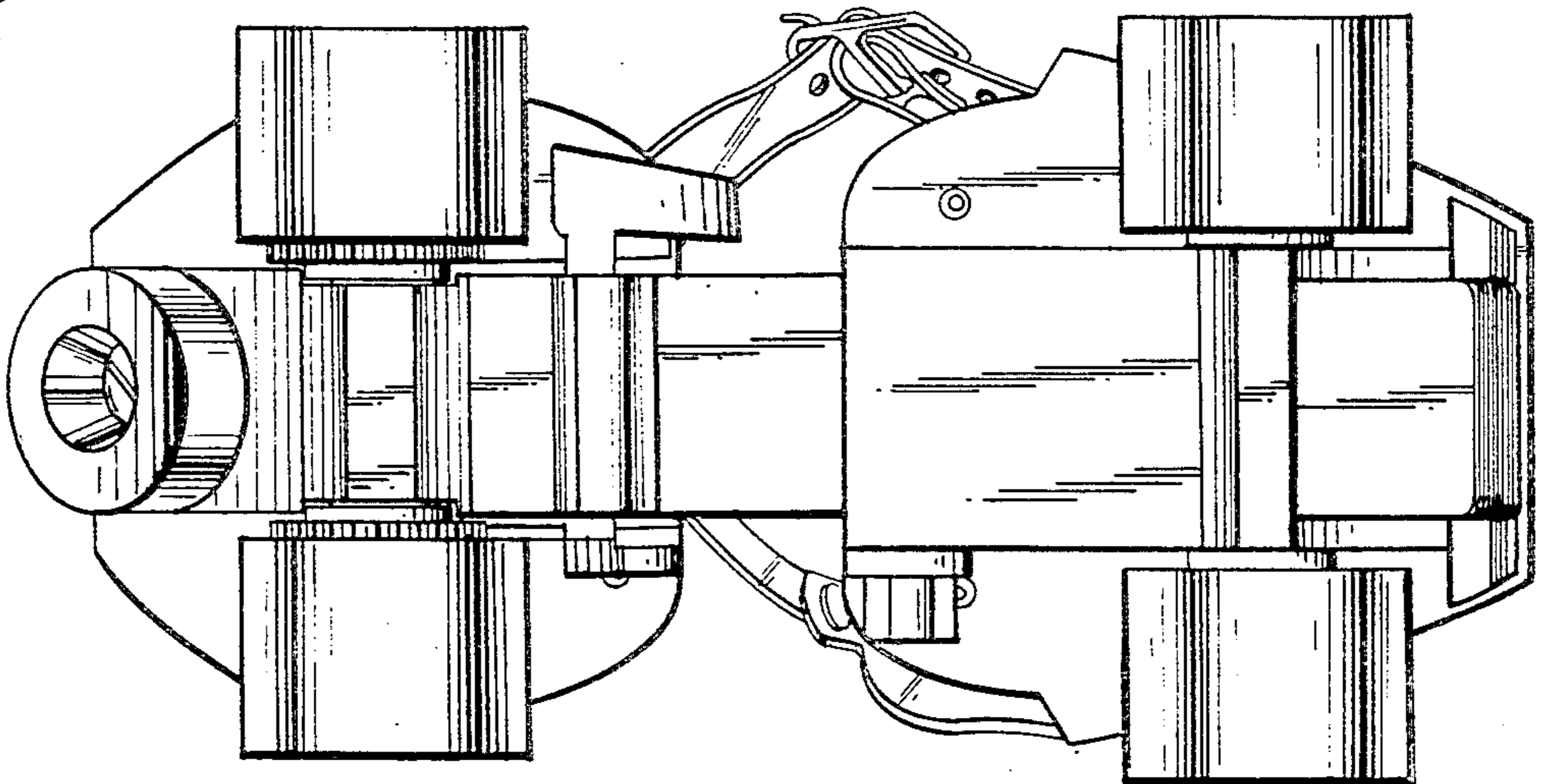


Fig. 4

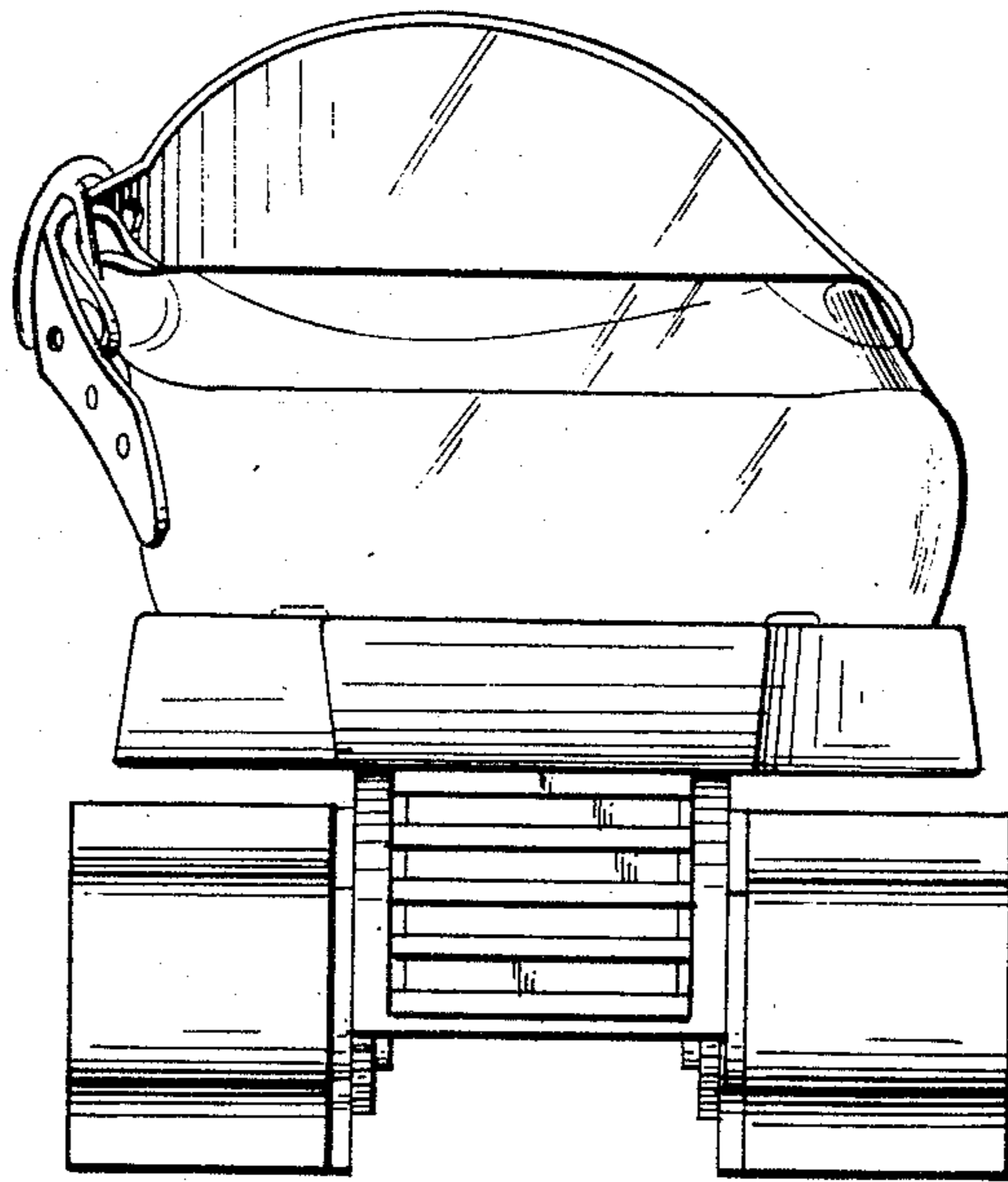
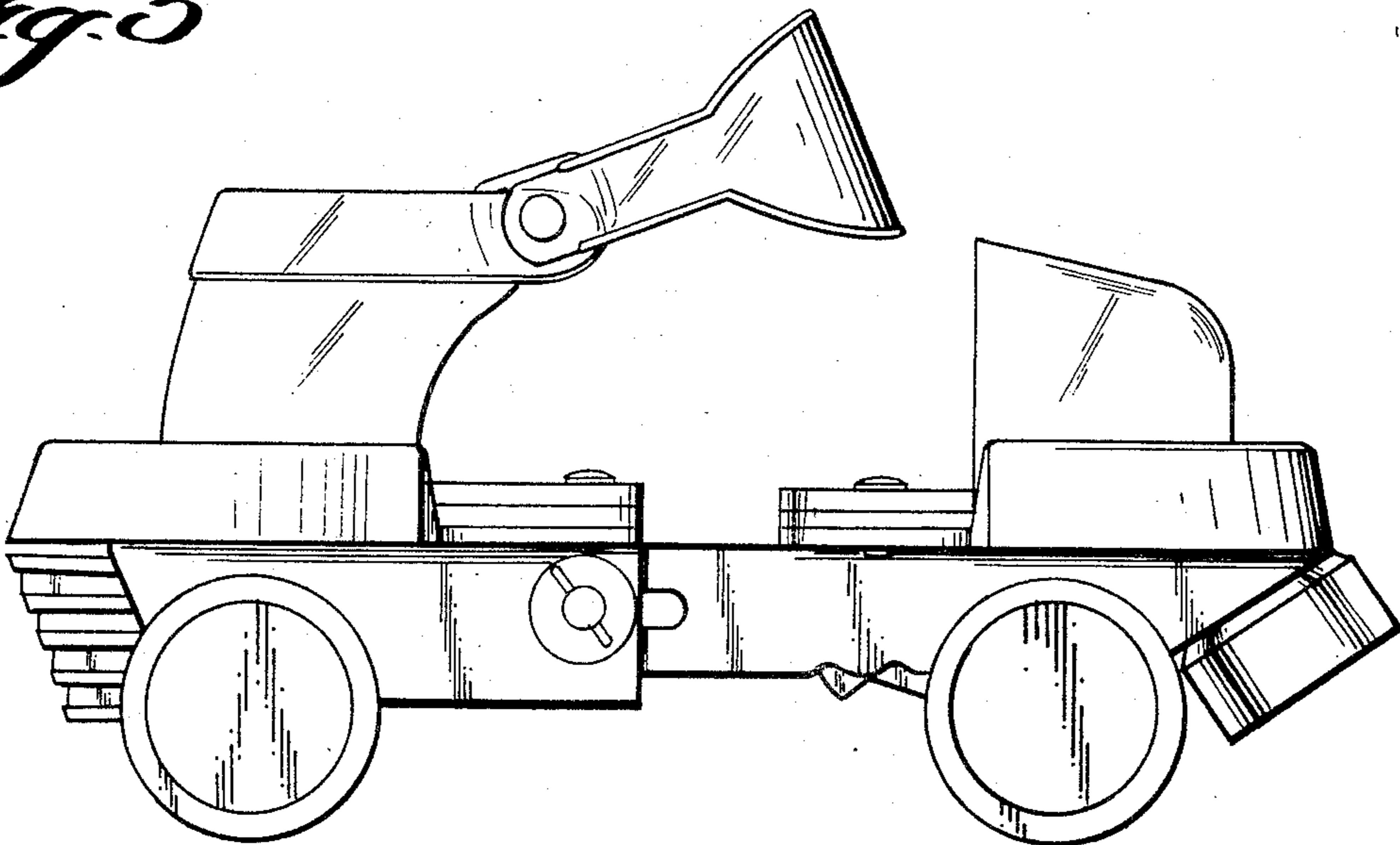


Fig. 5



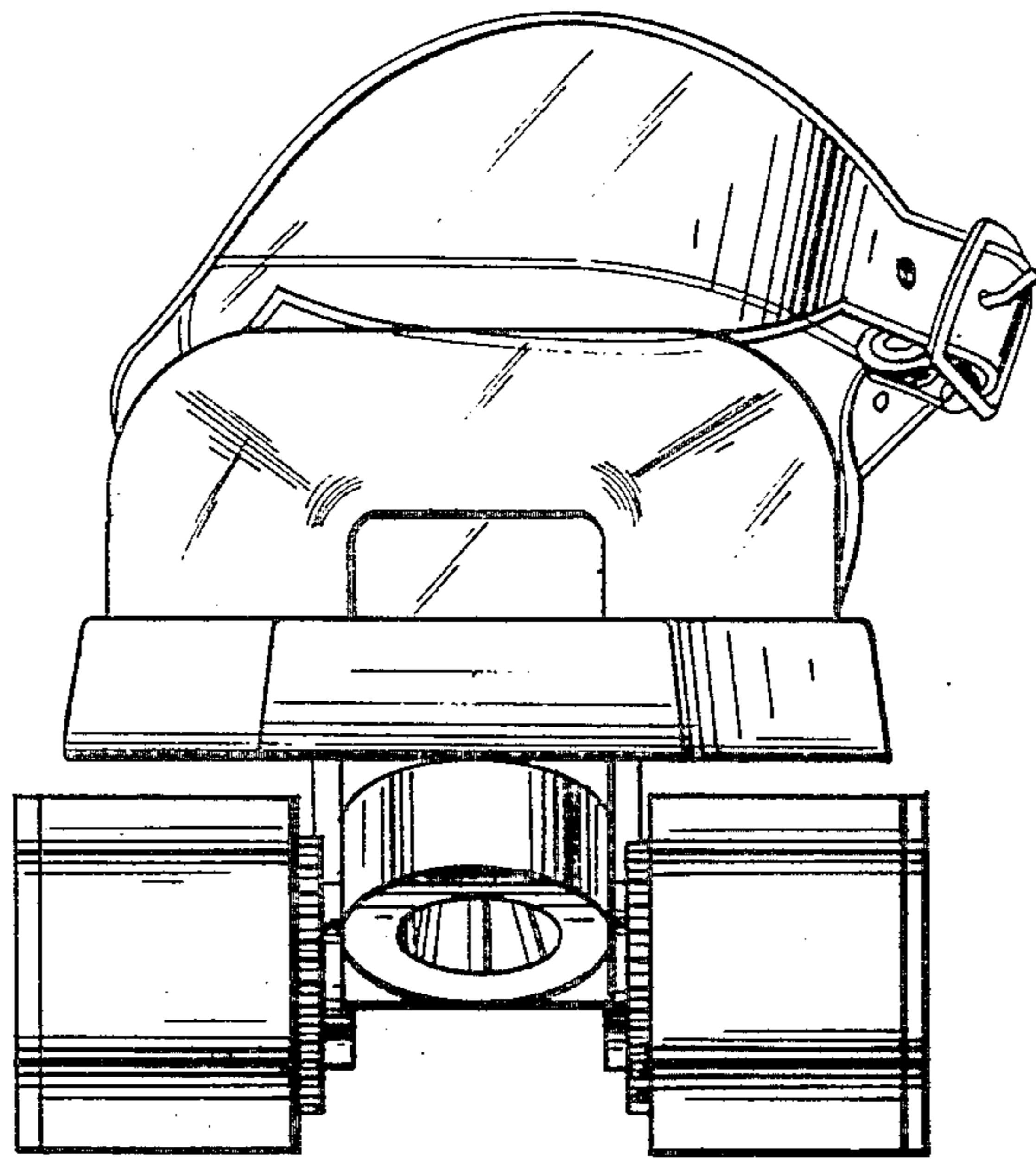


Fig. 6