

[54] **TOY GUN**

[76] **Inventor: Francis M. L. Barthropp, 4371 Marine Dr., West Vancouver, British Columbia, Canada, V7V 1P3**

[**] **Term: 14 Years**

[21] **Appl. No.: 641,007**

[22] **Filed: Aug. 15, 1984**

[52] **U.S. Cl. D21/147**

[58] **Field of Search D21/145, 146, 147; 446/473; D22/5, 6; 124/63-65, 56**

[56] **References Cited**

U.S. PATENT DOCUMENTS

D. 132,661 6/1942 Brubaker D21/147

D. 164,657 9/1951 Tovell D21/147
D. 168,909 2/1953 Rastetter D21/147
D. 201,366 6/1965 Chambers et al. D22/6
D. 251,979 5/1979 Hance D22/6

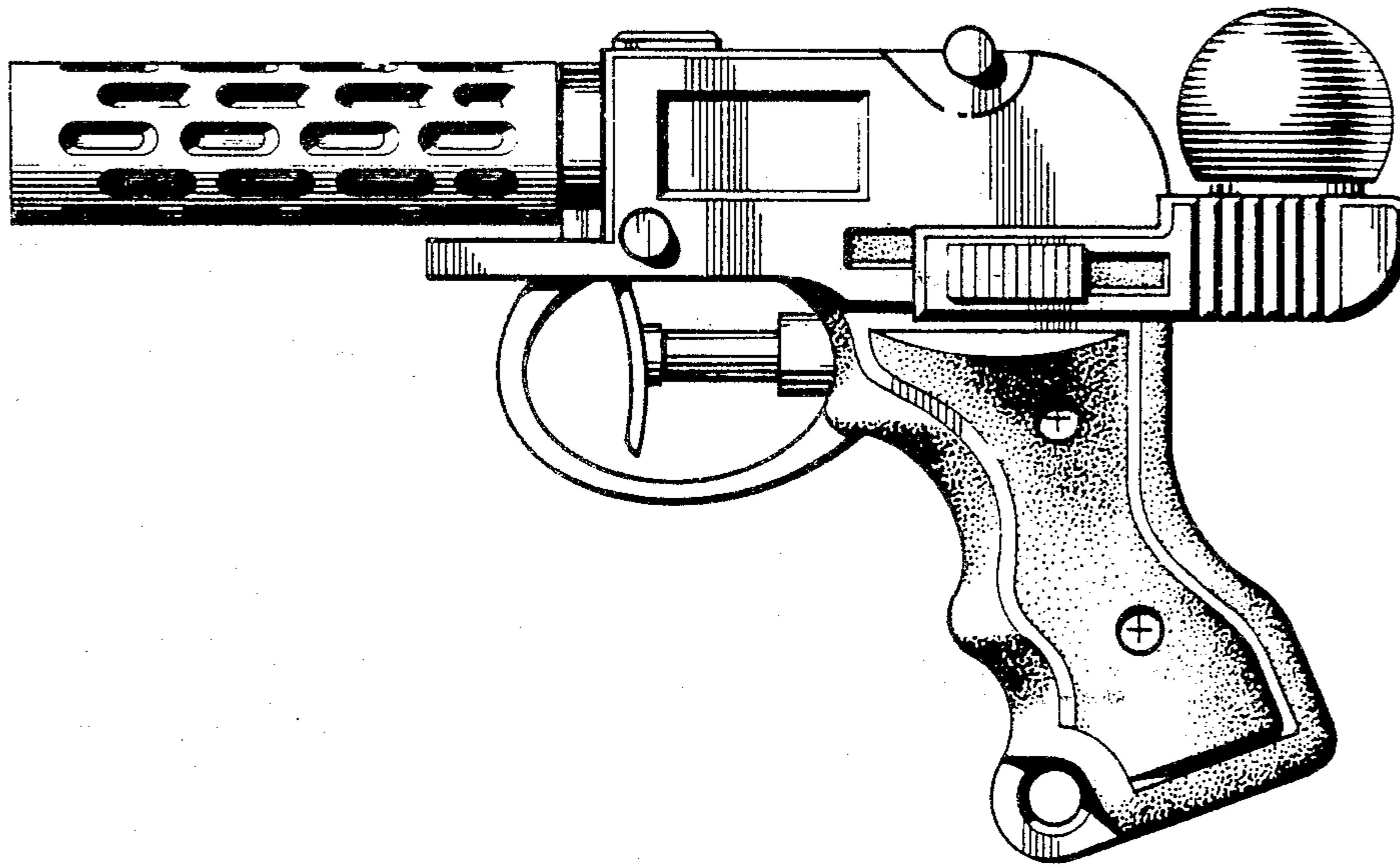
Primary Examiner—Charles A. Rademaker

[57] **CLAIM**

The ornamental design for a toy gun, substantially as shown and described.

DESCRIPTION

FIG. 1 is a side elevational view of a toy gun showing my new design, the side opposite being a mirror image; FIG. 2 is a front elevational view thereof; FIG. 3 is a rear elevational view thereof; FIG. 4 is a top plan view thereof; and, FIG. 5 is a bottom plan view thereof.



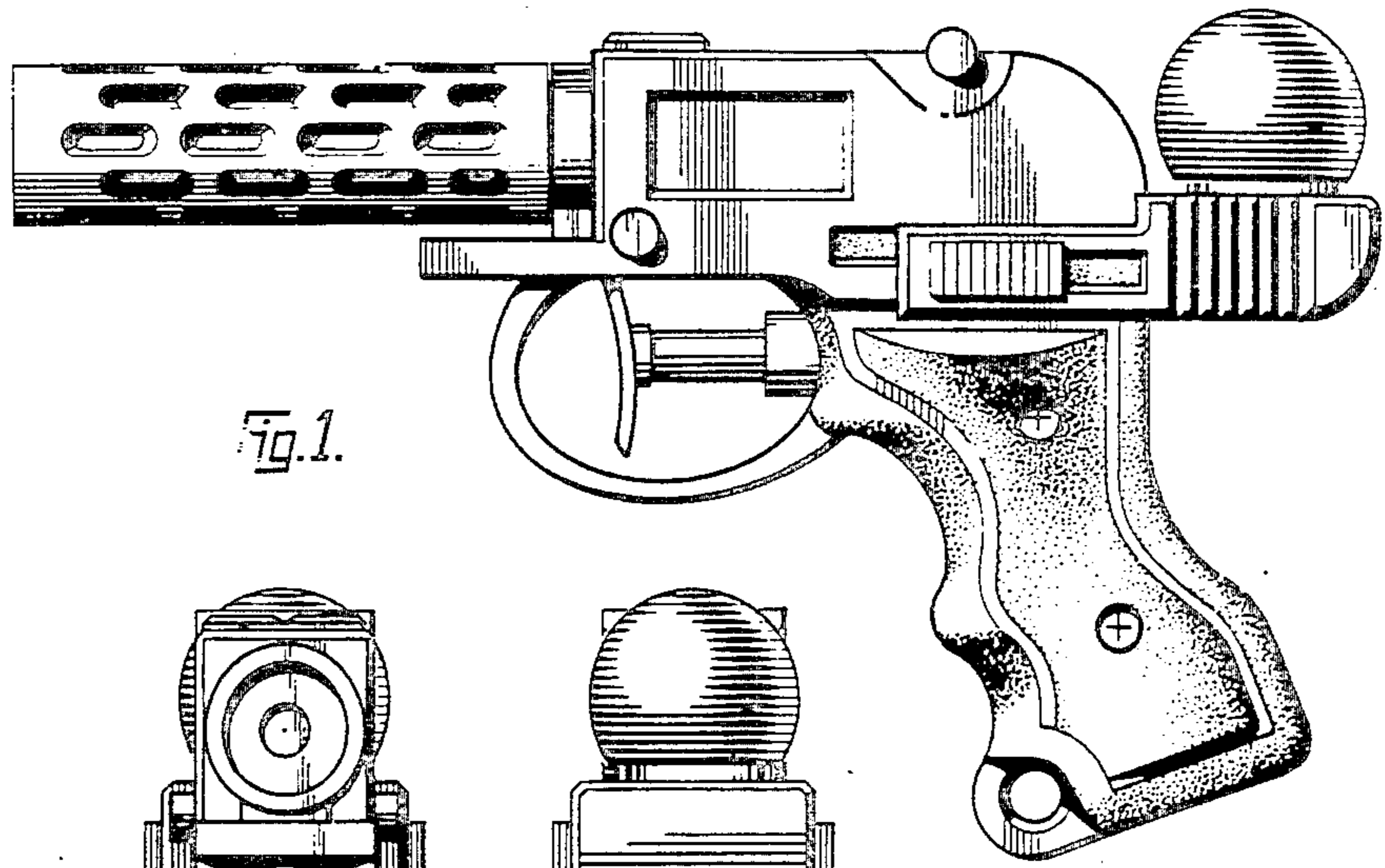


Fig. 1.

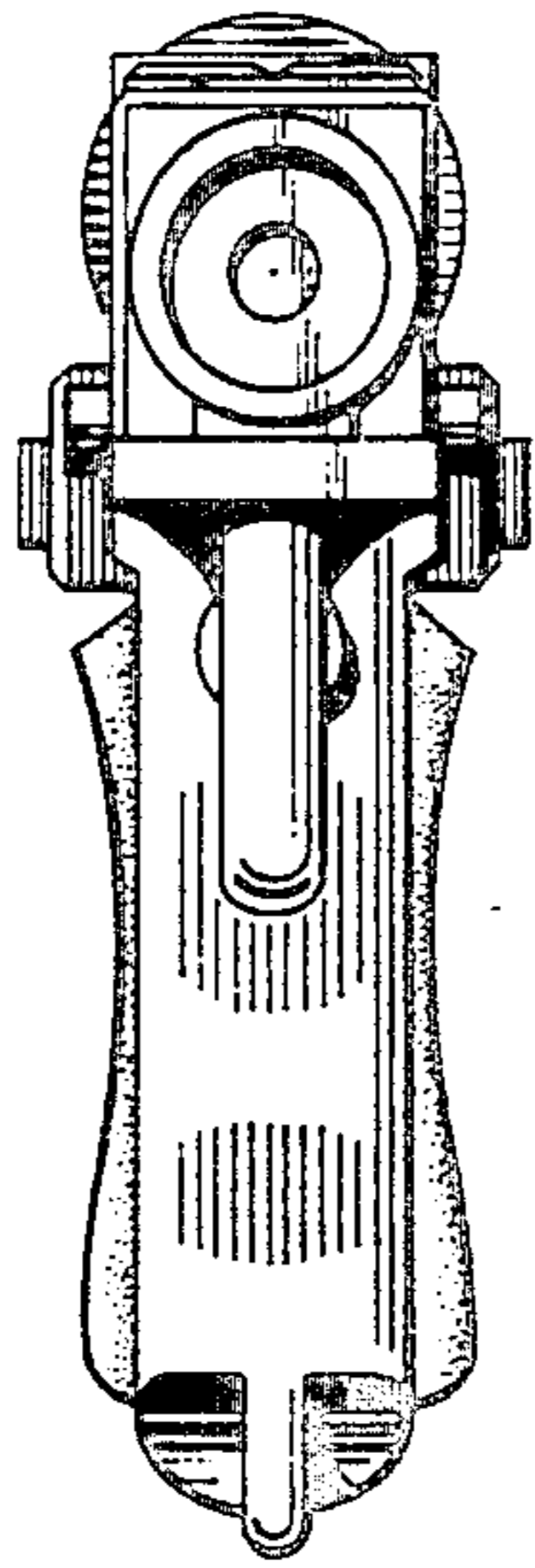


Fig. 2.

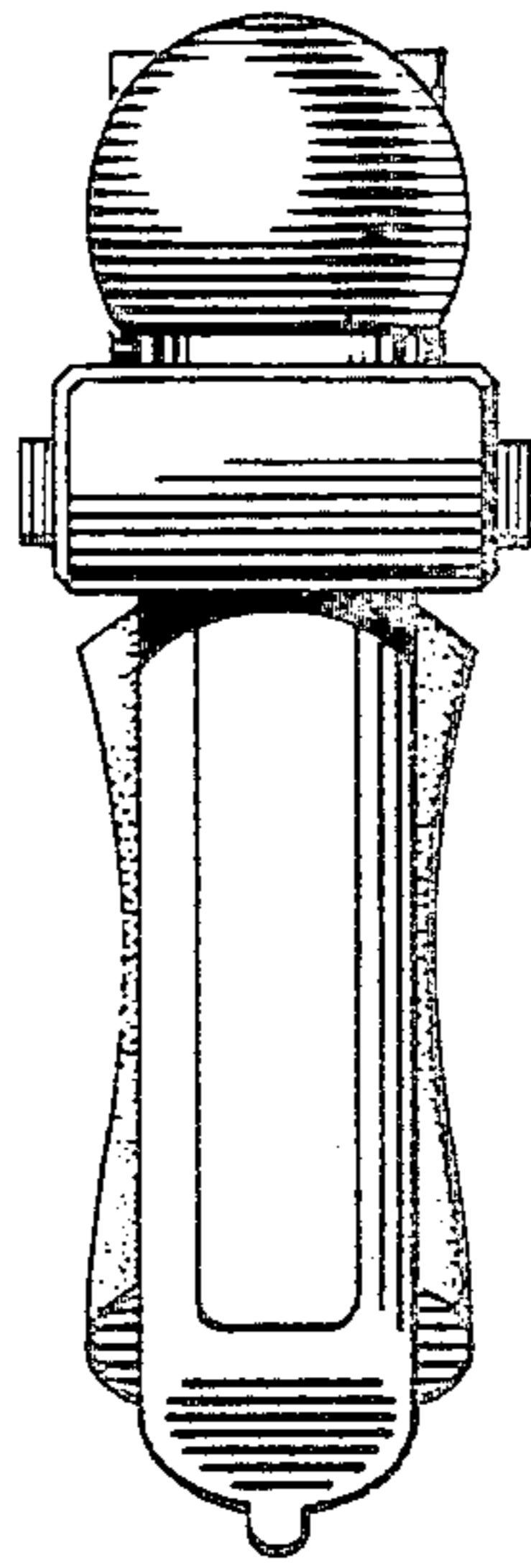


Fig. 3.

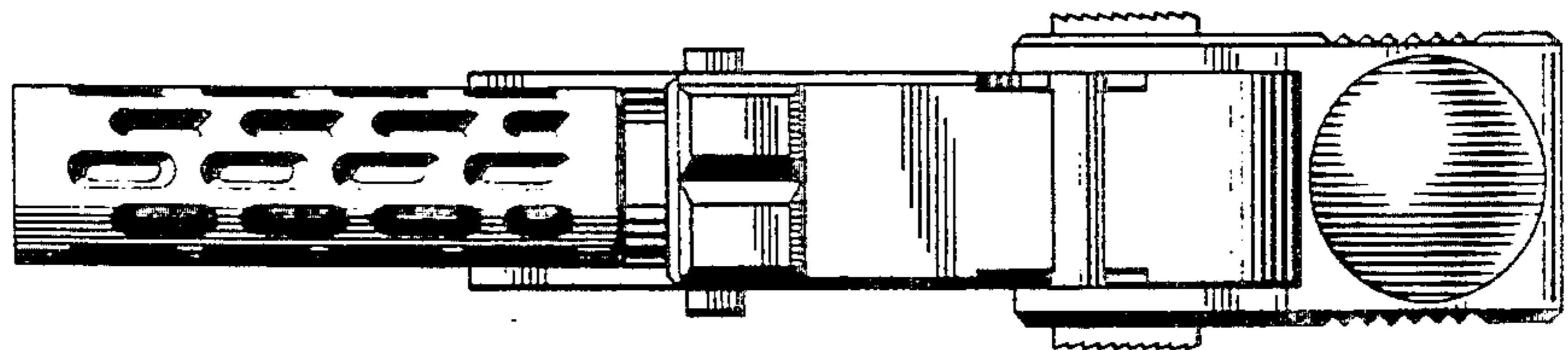


Fig. 4.

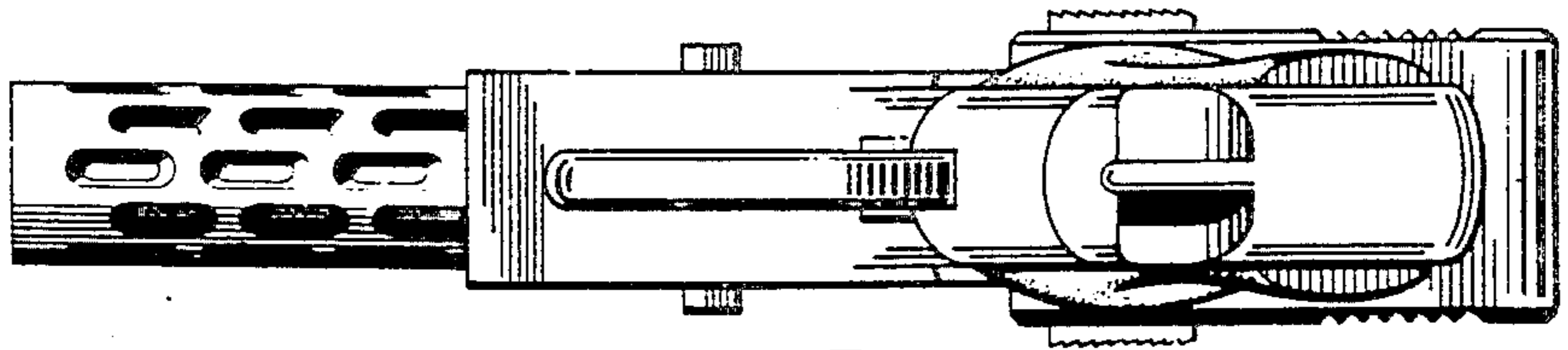


Fig. 5.