

[54] COLLECTOR BOX FOR LAWNMOWERS, LAWNRAKERS, OR THE LIKE

4,444,002 4/1984 Heismann et al. .... 56/202  
4,574,568 3/1986 Trelford ..... 56/202

[75] Inventors: Alan Trelford, Surrey; Laurence T. Cunningham, Stockton-on-Tees, both of England

Primary Examiner—B. J. Bullock  
Attorney, Agent, or Firm—Edward D. Murphy; Harold Weinstein; Edward D. C. Bartlett

[73] Assignee: Black & Decker Inc., Newark, Del.

[57] CLAIM

[\*\*] Term: 14 Years

The ornamental design for a collector box for lawnmowers, lawnrakers, or the like, as shown and described.

[21] Appl. No.: 657,235

[22] Filed: Oct. 3, 1984

DESCRIPTION

[30] Foreign Application Priority Data

FIG. 1 is a top and right side perspective view of a collector box for lawnmowers, lawnrakers or the like showing our new design;

Apr. 13, 1984 [GB] United Kingdom ..... 1019087

FIG. 2 is an enlarged side elevational view taken from the left of FIG. 1;

[52] U.S. Cl. .... D15/17

FIG. 3 is an enlarged front elevational view thereof;

[58] Field of Search ..... D15/10, 13, 14, 15,

FIG. 4 is an enlarged rear elevational view thereof;

D15/17, 28; 56/16.6, 202

FIG. 5 is an enlarged top plan view seen in the direction of the arrow 5 in FIG. 2;

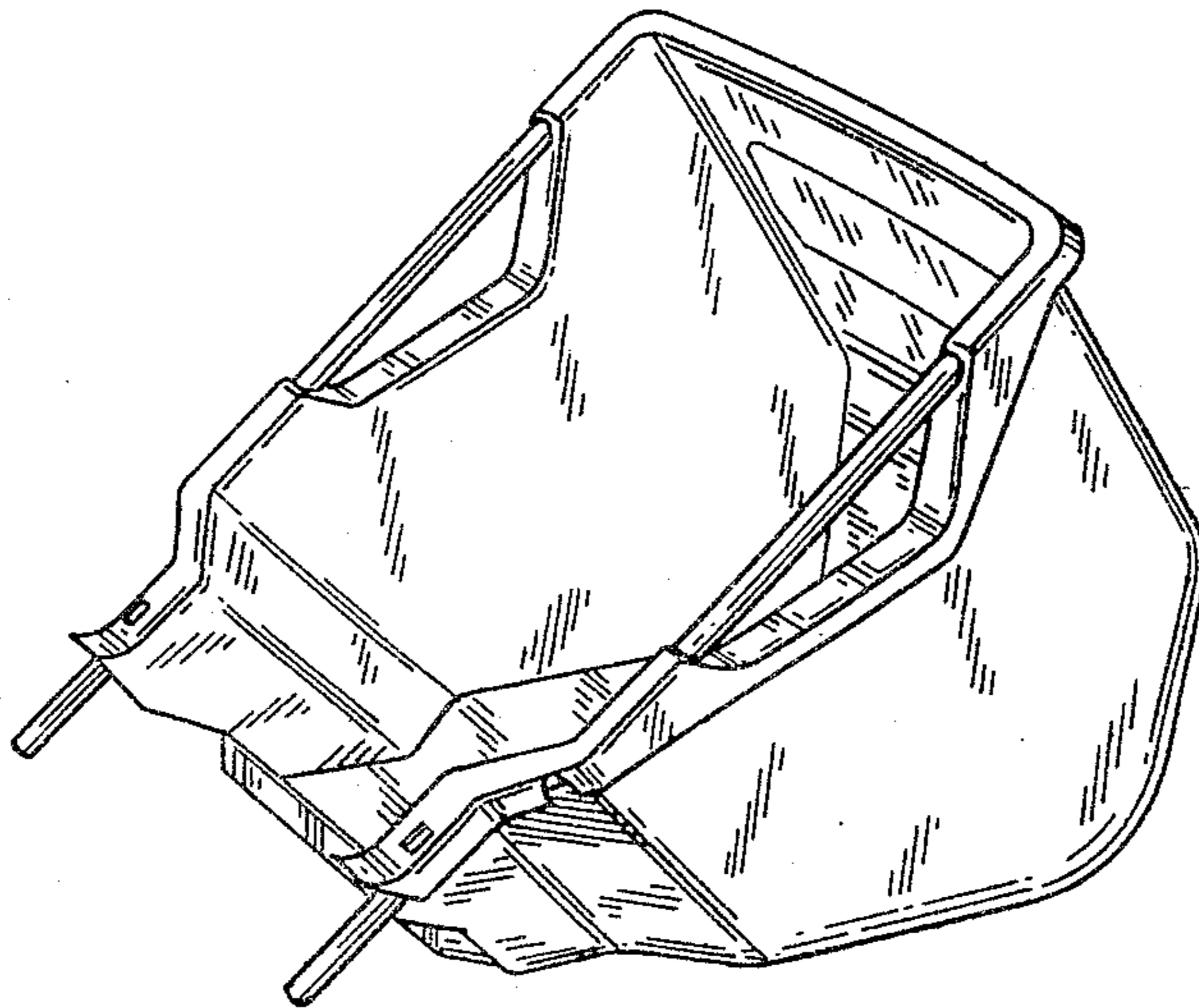
[56] References Cited

U.S. PATENT DOCUMENTS

FIG. 6 is an enlarged bottom plan view thereof; and

FIG. 7 is a reduced rear and left side perspective view thereof.

D. 194,051 11/1962 Stout ..... D15/27  
3,928,956 12/1975 Boyer ..... 56/202  
4,377,063 3/1983 Leaphart ..... 56/202



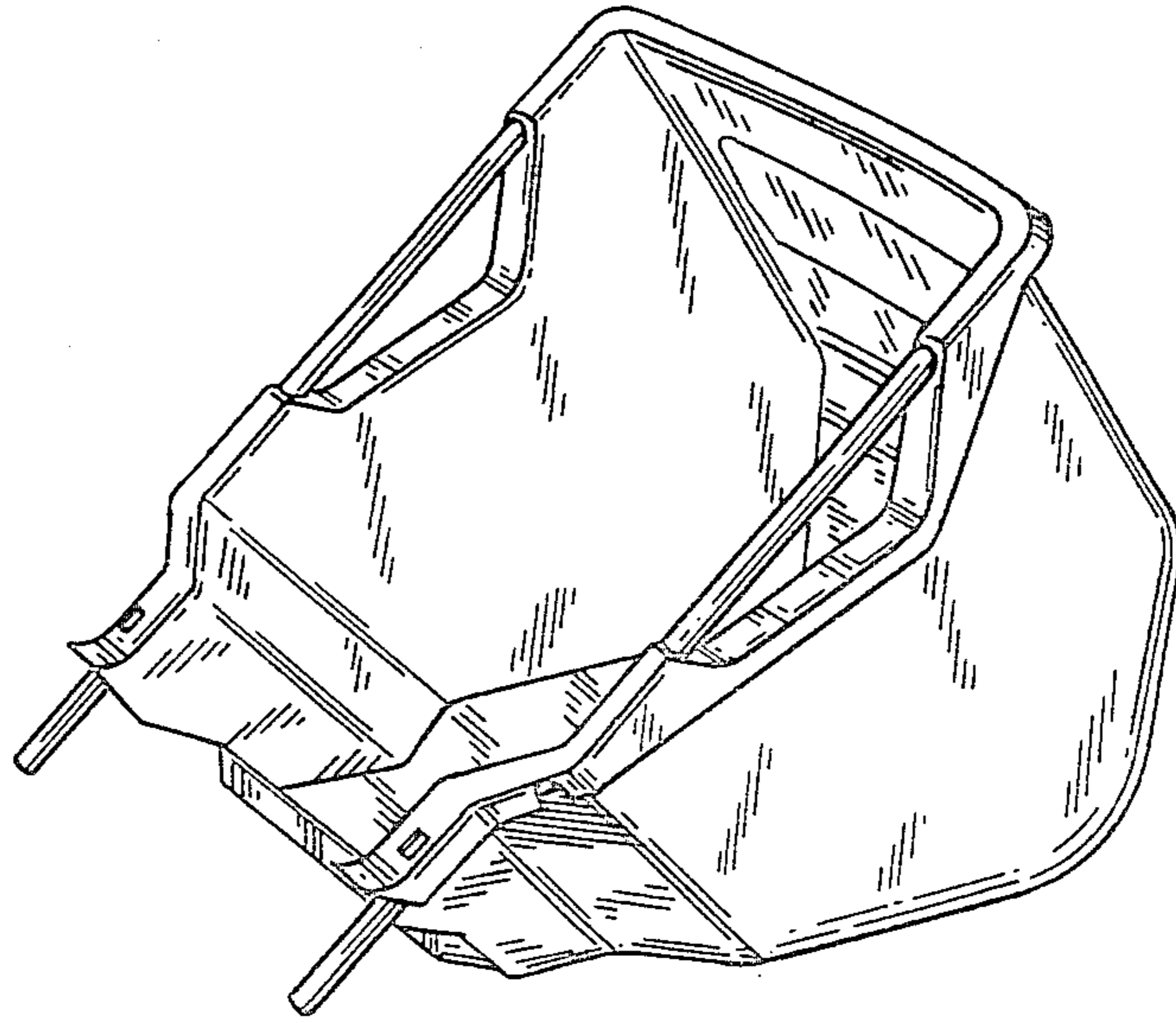


FIG. 1.

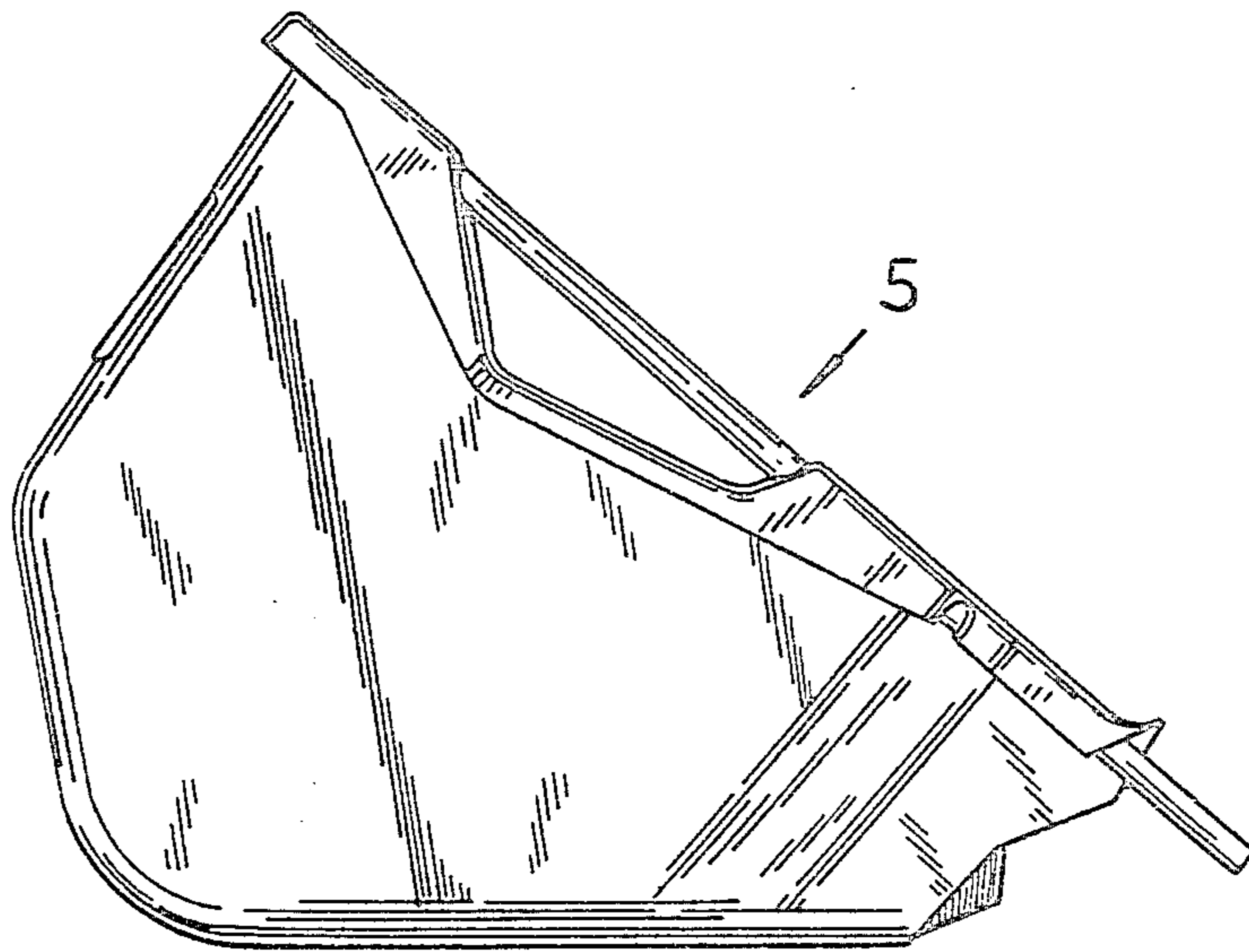


FIG. 2.

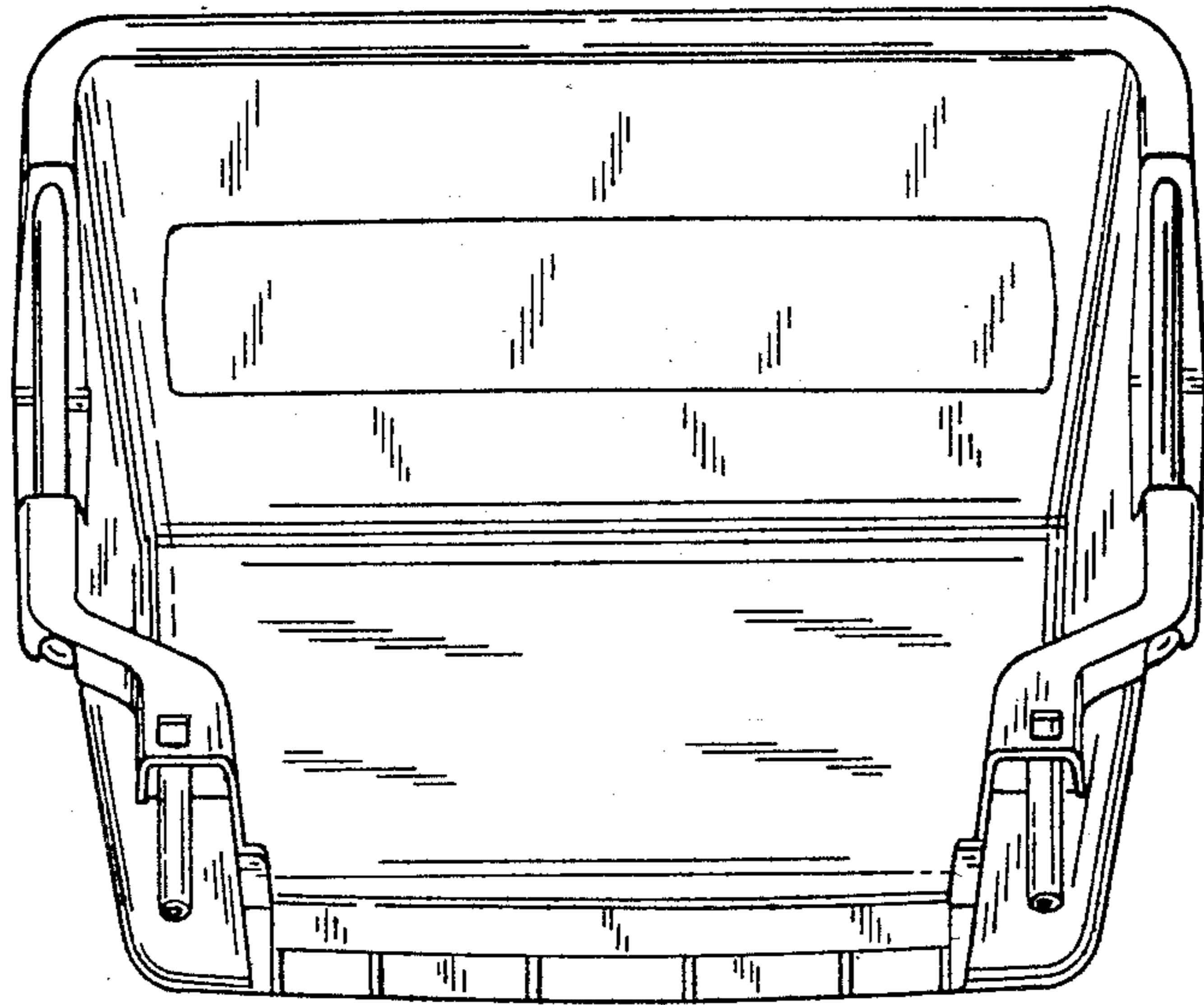


FIG. 3.

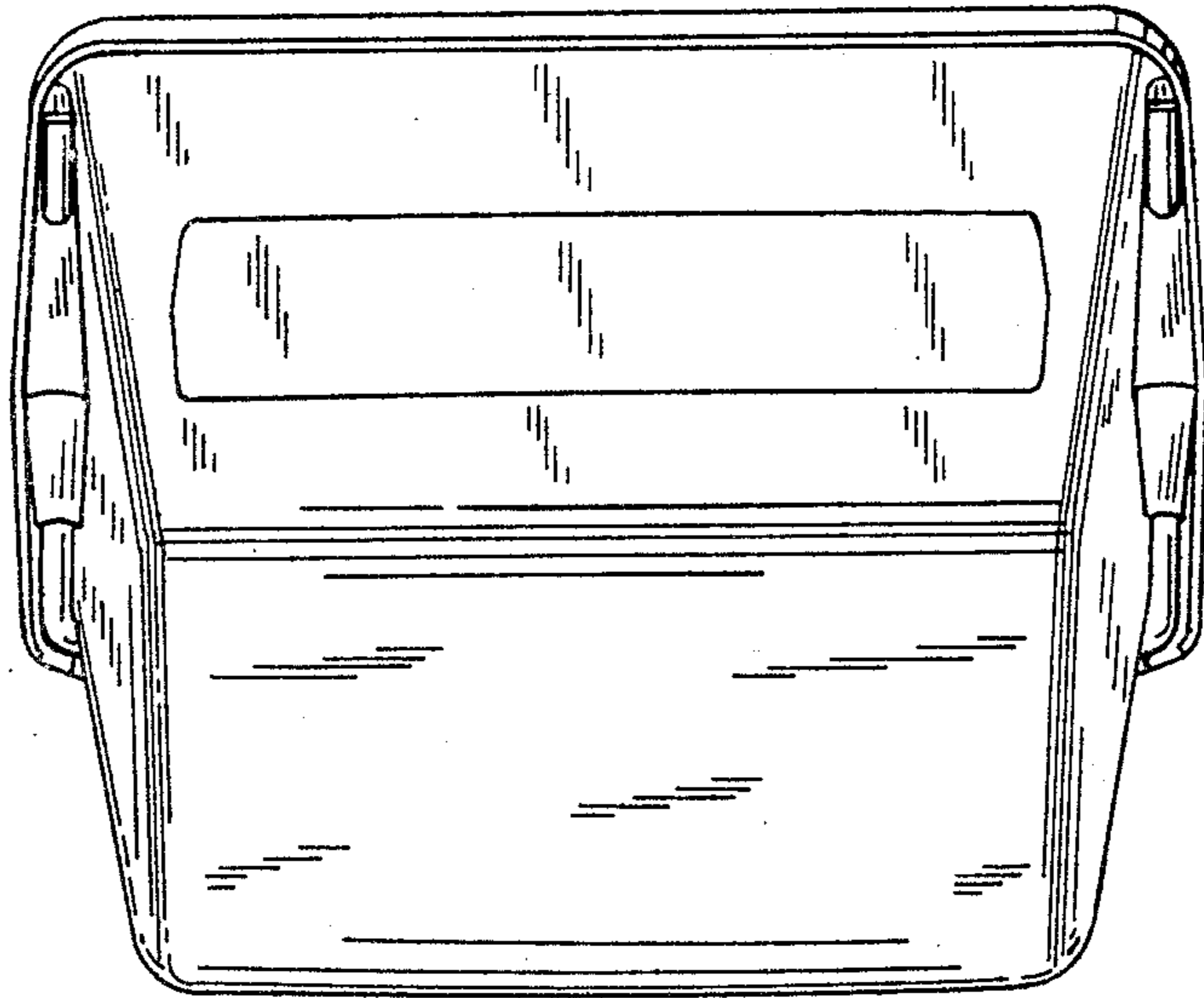


FIG. 4.

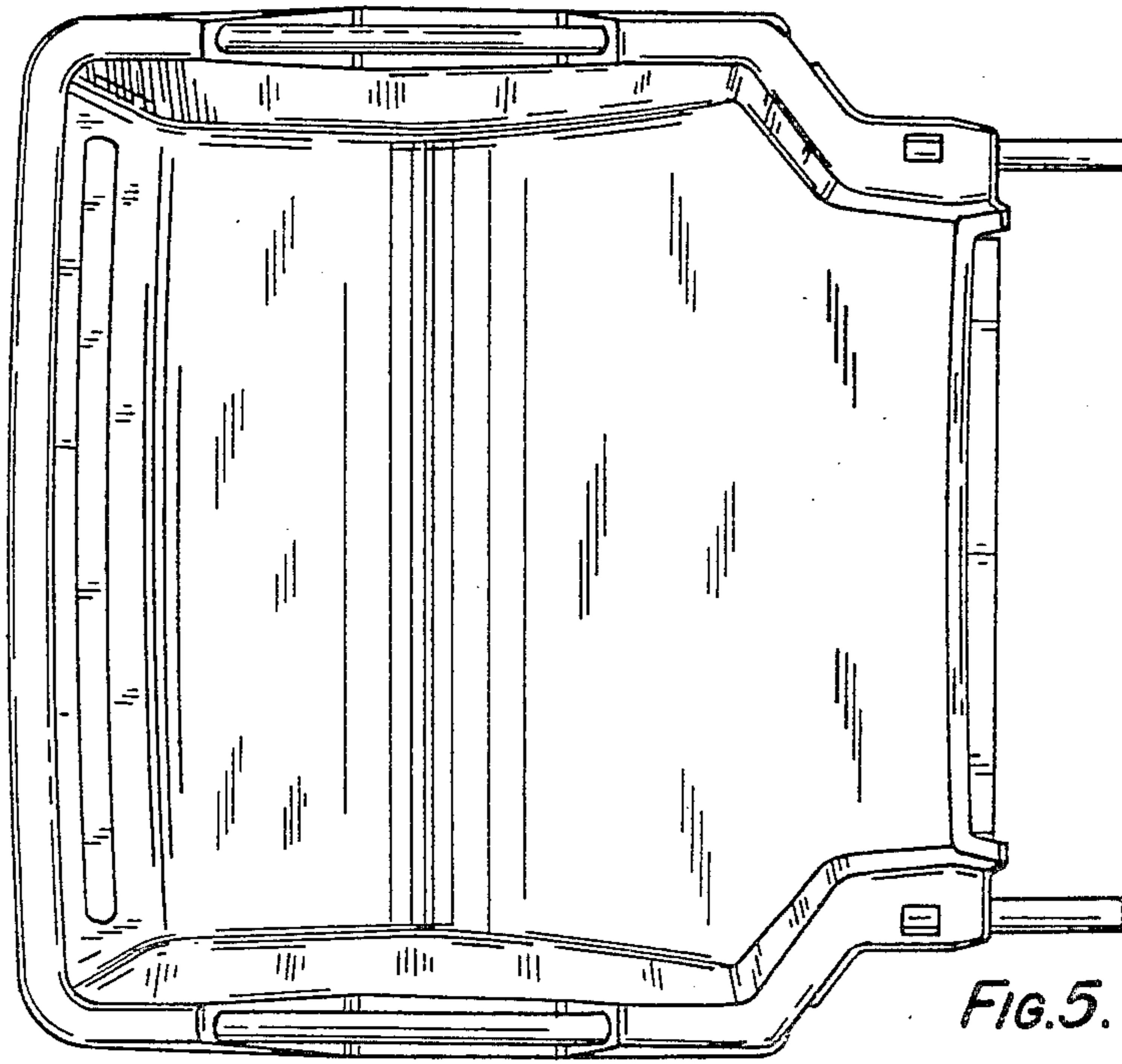


FIG. 5.

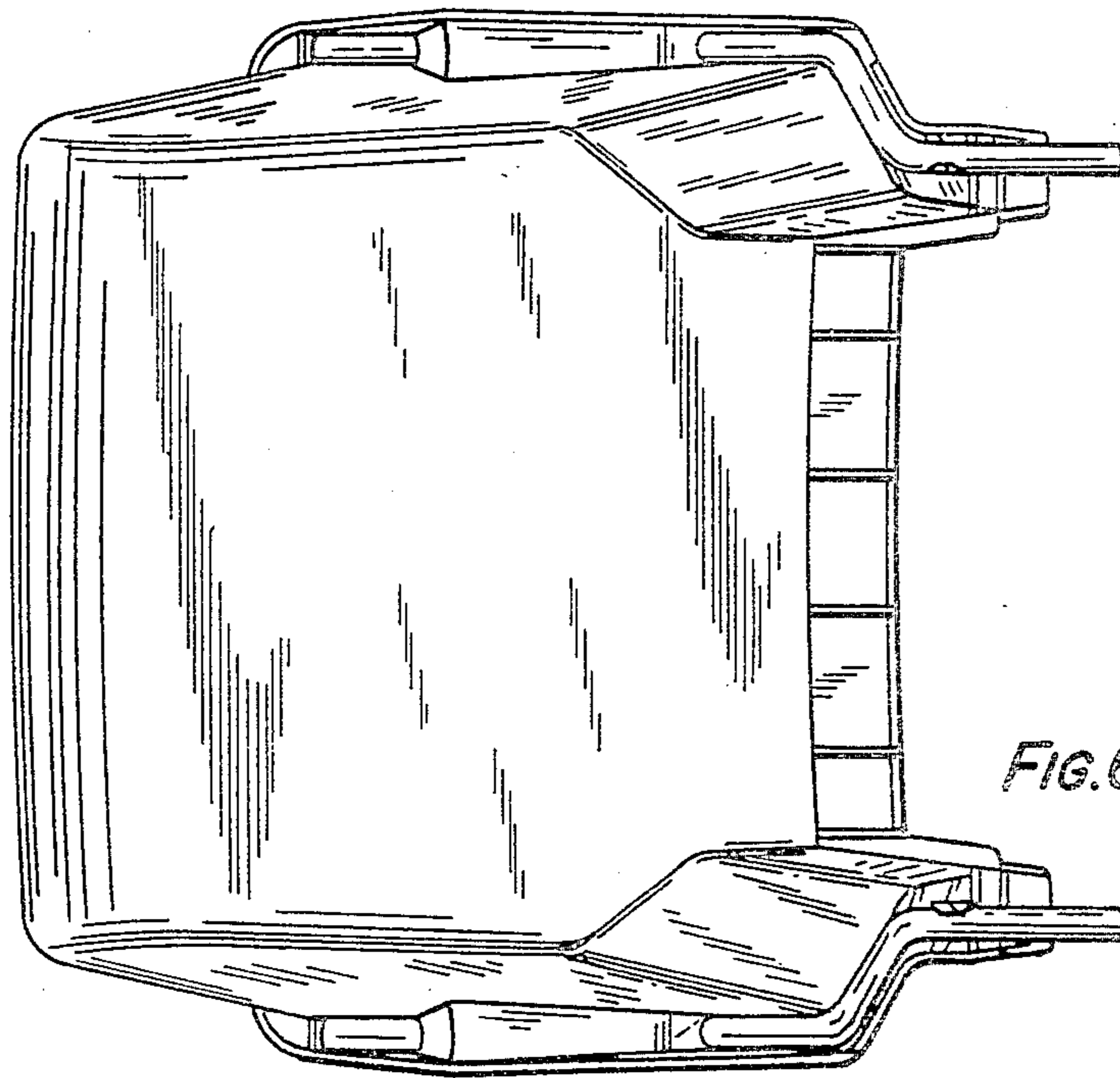
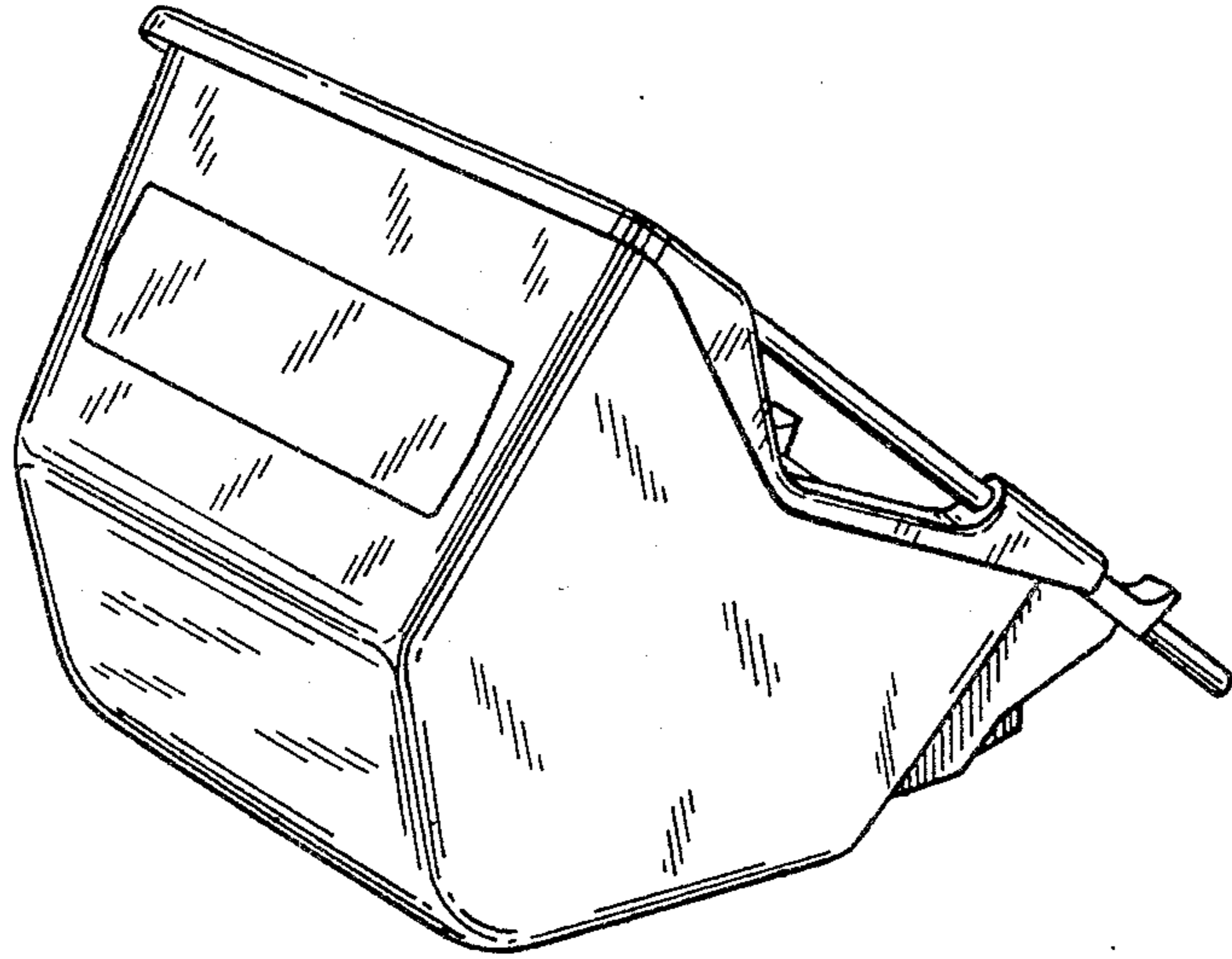


FIG. 6.



*FIG. 7.*