

[54] **KEYBOARD SUPPORT**

[75] **Inventors: Mark A. Harter, Hamilton; Raoul J. Schoumaker, Wyoming, both of Mich.**

[73] **Assignee: Westinghouse Electric Corp., Pittsburgh, Pa.**

[**] **Term: 14 Years**

[21] **Appl. No.: 630,807**

[22] **Filed: Jul. 13, 1984**

[52] **U.S. Cl. D14/114; D6/406; D18/12**

[58] **Field of Search D14/100-117; 340/365 R; 235/145 R; D6/406, 511, 420; D18/12; D19/92, 95; 248/441.1, 442.2, 346, 371, 450, 176; 400/472, 492, 496, 682**

[56] **References Cited**

U.S. PATENT DOCUMENTS

D. 220,294 3/1971 Joyce D19/92
D. 244,658 6/1977 Turner D19/92 X

OTHER PUBLICATIONS

Inmac Personal Computer Support catalog, 2nd ed. 8-1983, Keyboard Keeper Drawer.

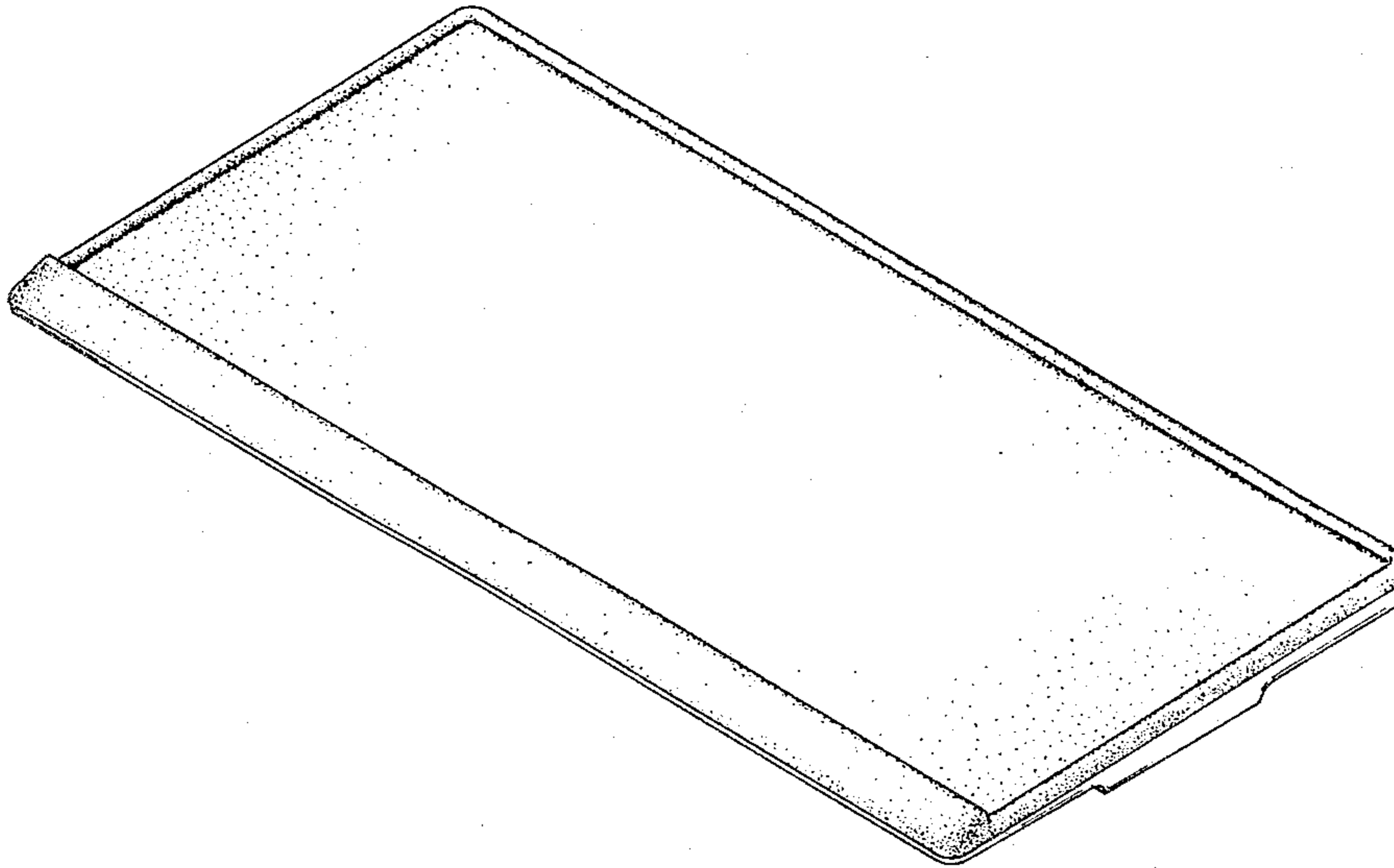
Primary Examiner—Susan J. Lucas
Attorney, Agent, or Firm—B. R. Studebaker

[57] **CLAIM**

The ornamental design for a keyboard support, substantially as shown and described.

DESCRIPTION

FIG. 1 is a perspective view of a keyboard support illustrating our new design;
FIG. 2 is a front elevation view thereof;
FIG. 3 is a top plan view thereof;
FIG. 4 is a side elevation view thereof, the opposite side being a mirror image;
FIG. 5 is a rear elevation view thereof; and
FIG. 6 is a bottom plan view thereof.



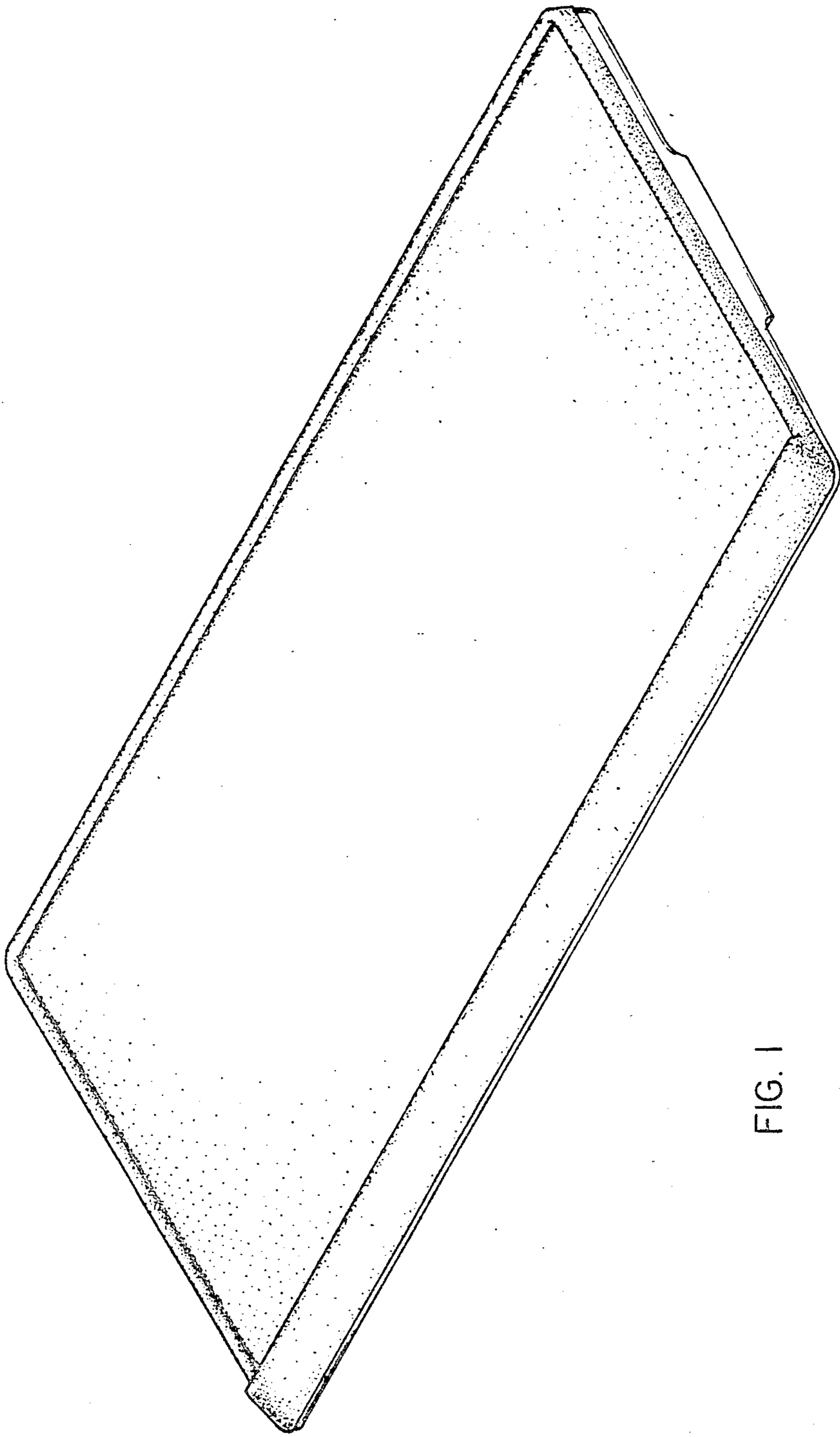
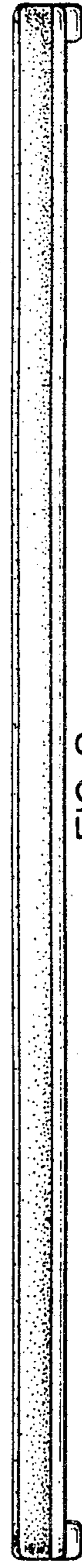
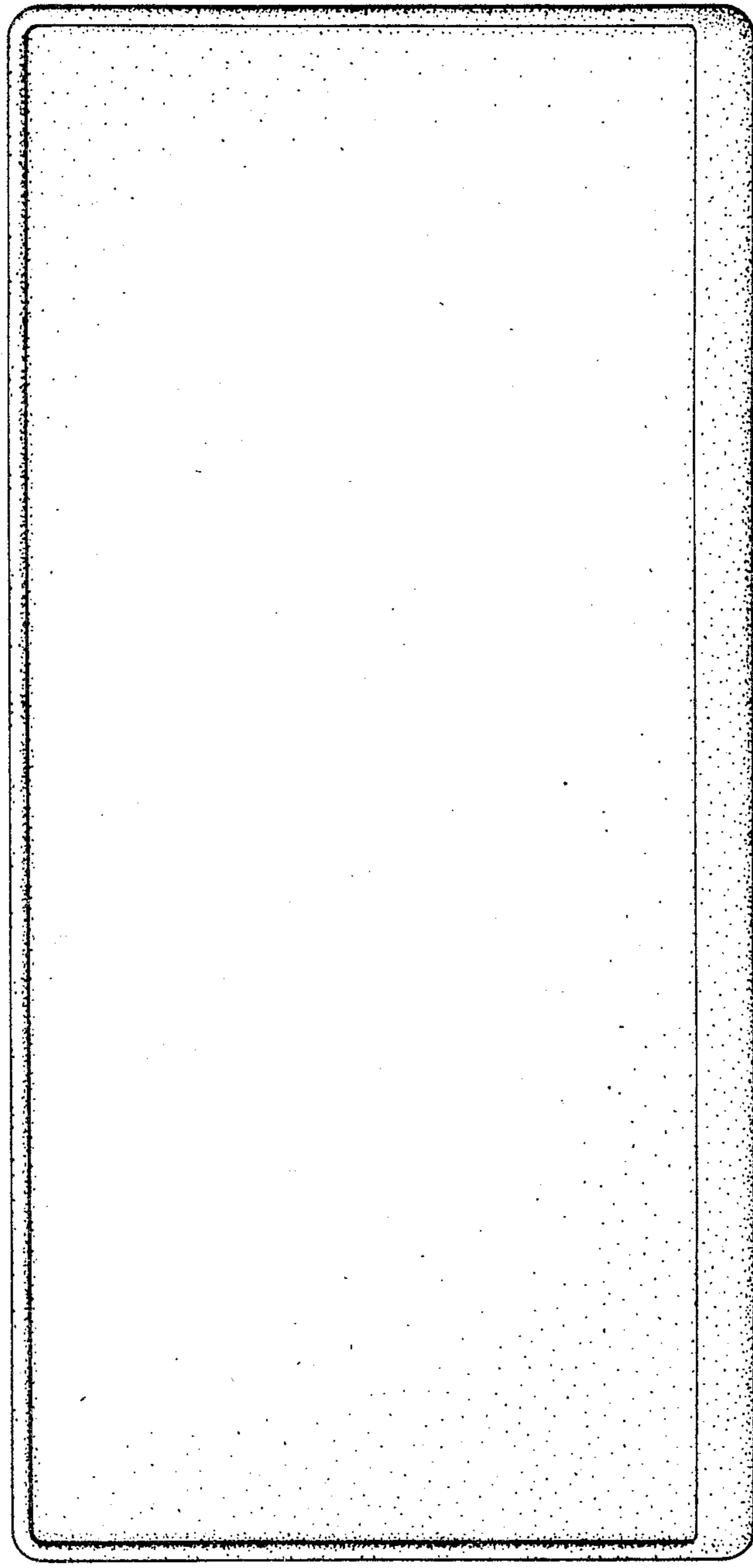
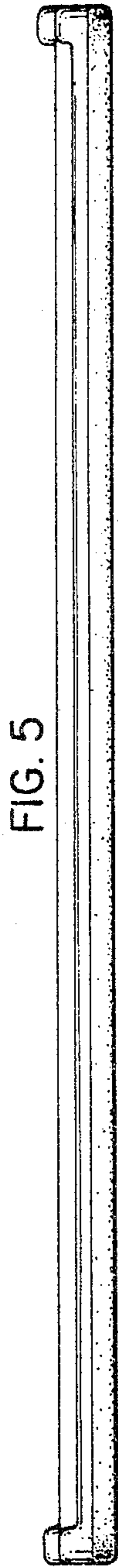


FIG. 1



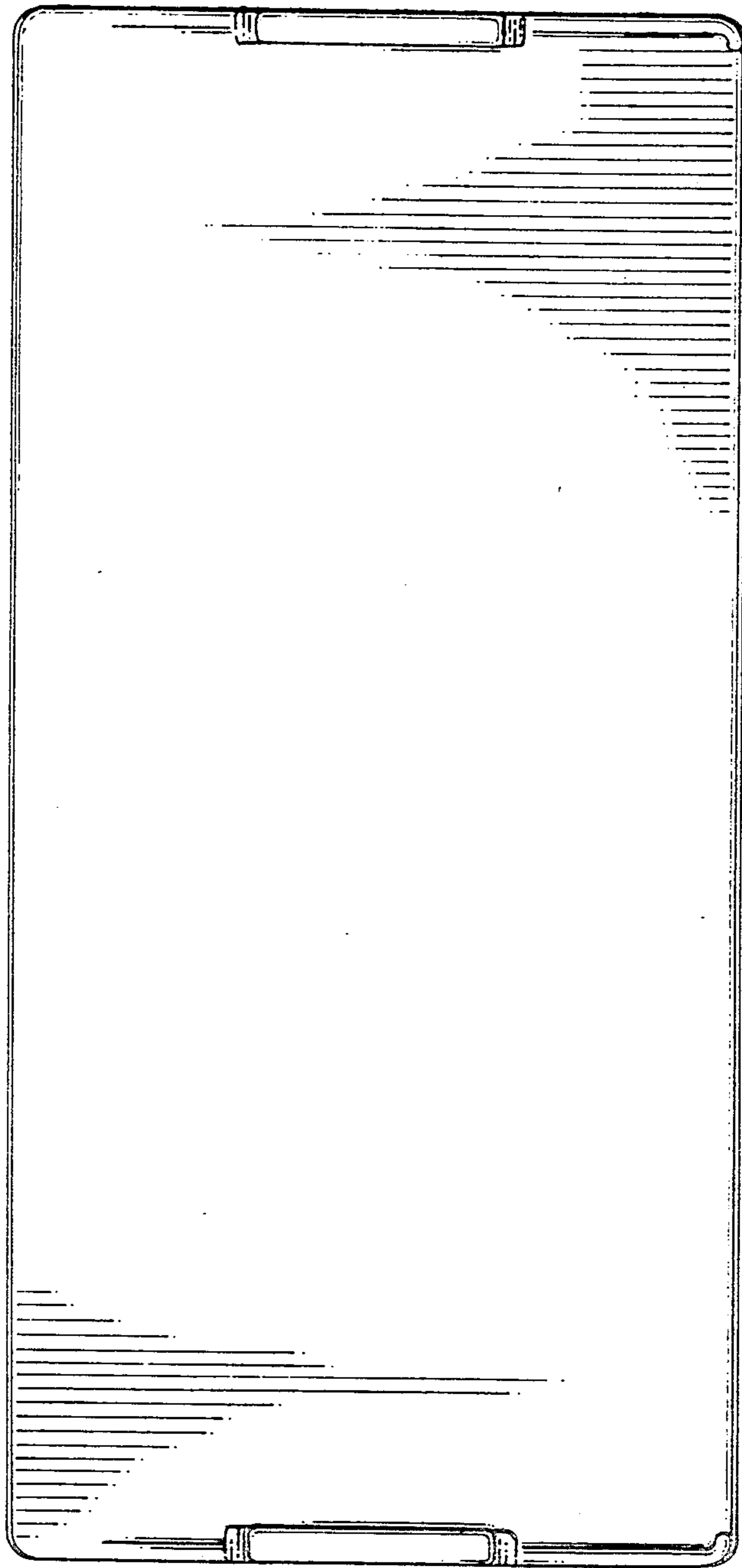


FIG. 6