

[54] **KEYBOARD**

[75] Inventor: Lewis W. Bennett, Nashua, N.H.

[73] Assignee: Itek Graphix Corp., Waltham, Mass.

[**] Term: 14 Years

[21] Appl. No.: 601,408

[22] Filed: Apr. 18, 1984

[52] U.S. Cl. D14/100

[58] Field of Search D14/100-117;
340/365 R, 711; 235/145 R; 400/472, 492, 496,
682

[56] **References Cited**

U.S. PATENT DOCUMENTS

- D. 276,914 12/1984 Moriconi D14/100
- D. 277,003 1/1985 Cridland et al. D14/100
- D. 278,239 4/1985 Felix et al. D14/100

OTHER PUBLICATIONS

NCR "Worksaver Firststep" brochure, 9-1982, p. 3, Keyboard.

Victor ® Multiplan brochure, Keyboard.

Primary Examiner—Susan J. Lucas

Attorney, Agent, or Firm—Martin P. Hoffman; Mitchell B. Wasson; Charles W. Fallow

[57] **CLAIM**

The ornamental design for the keyboard, as shown and described.

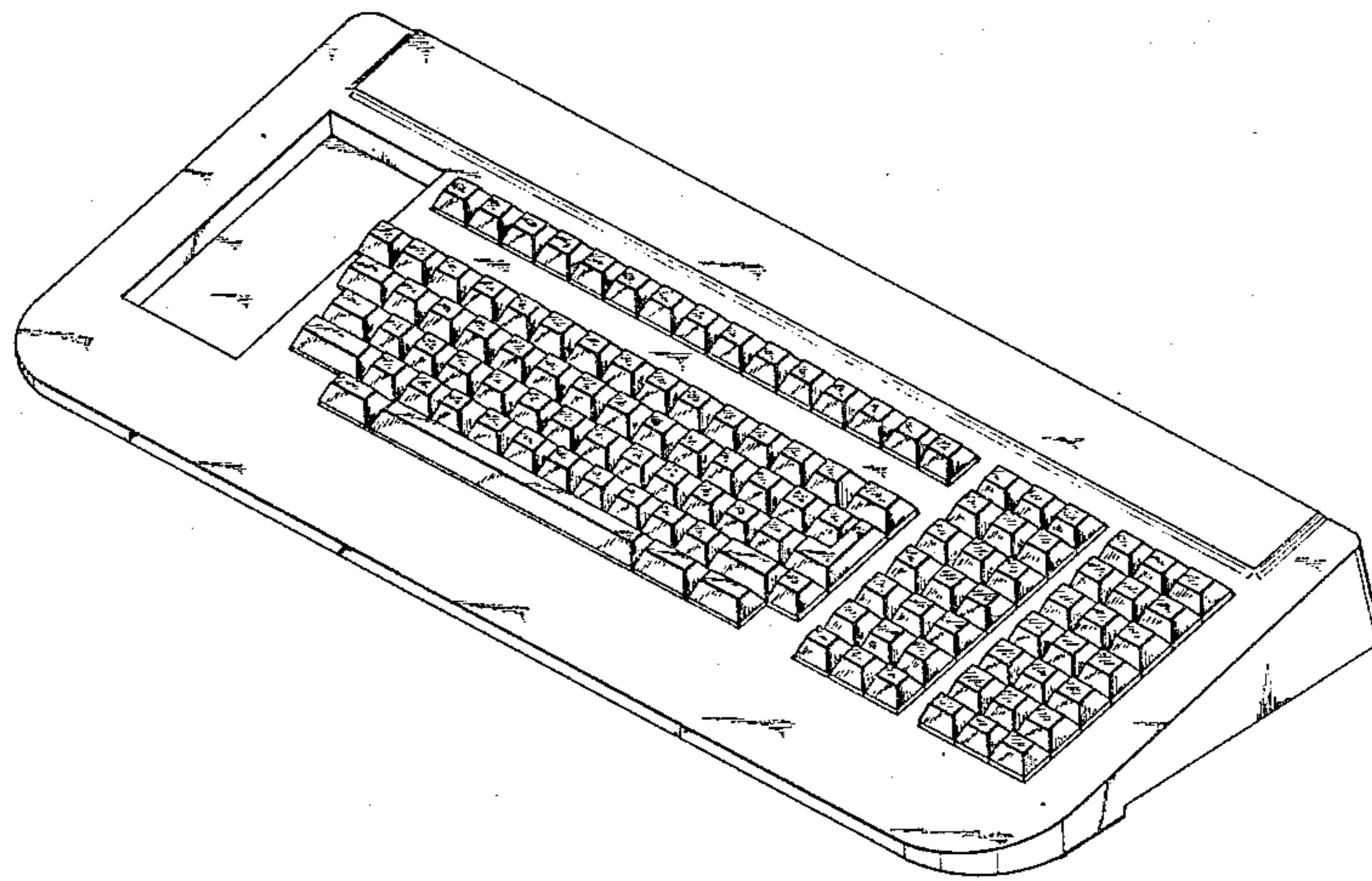
DESCRIPTION

FIG. 1 is a top axonometric view of a keyboard showing my new design;

FIG. 2 is a bottom axonometric view thereof;

FIG. 3 is a side elevational view thereof; and

FIG. 4 is a top plan view thereof, the keys being fragmentarily shown for convenience of illustration.



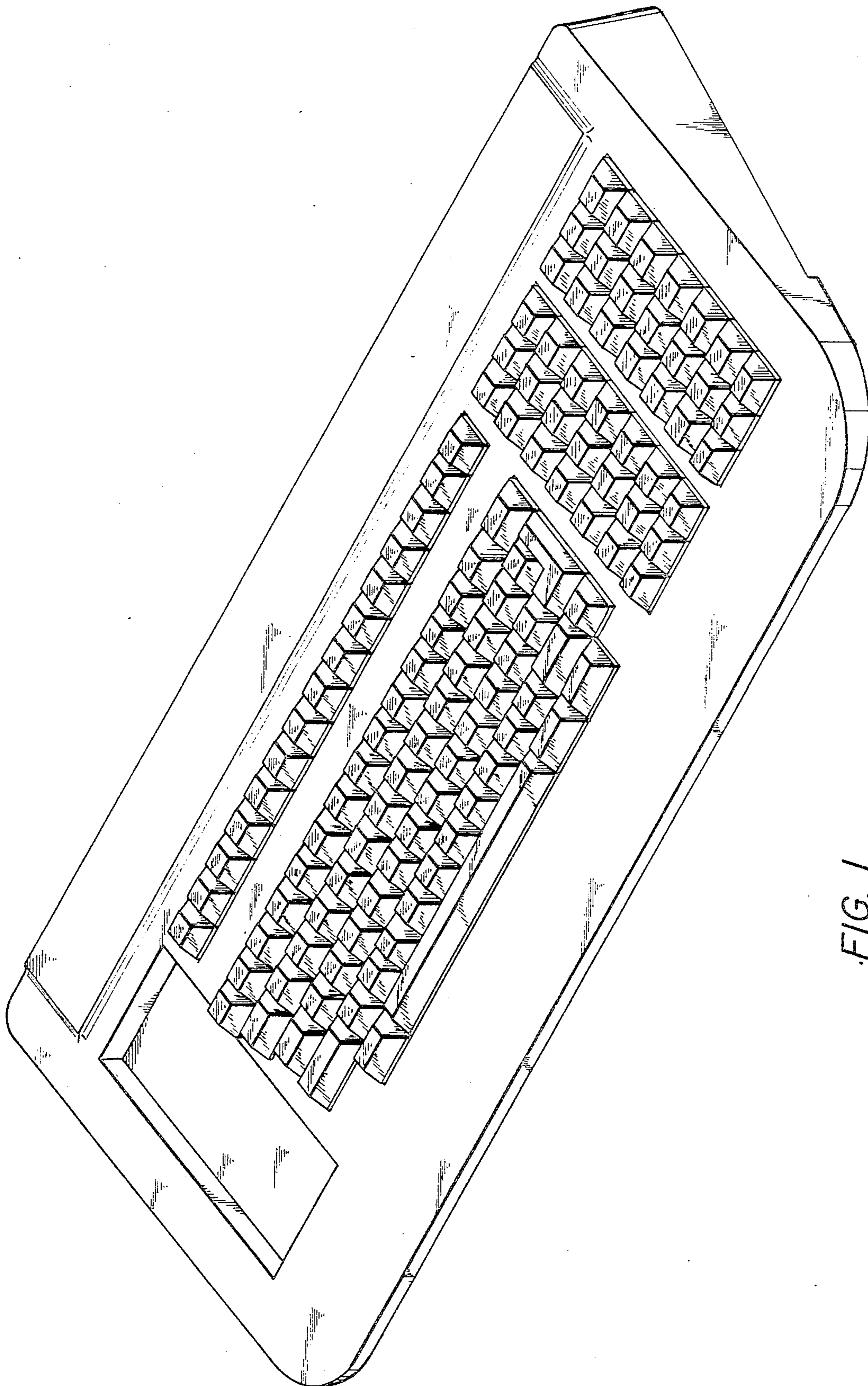


FIG. 1

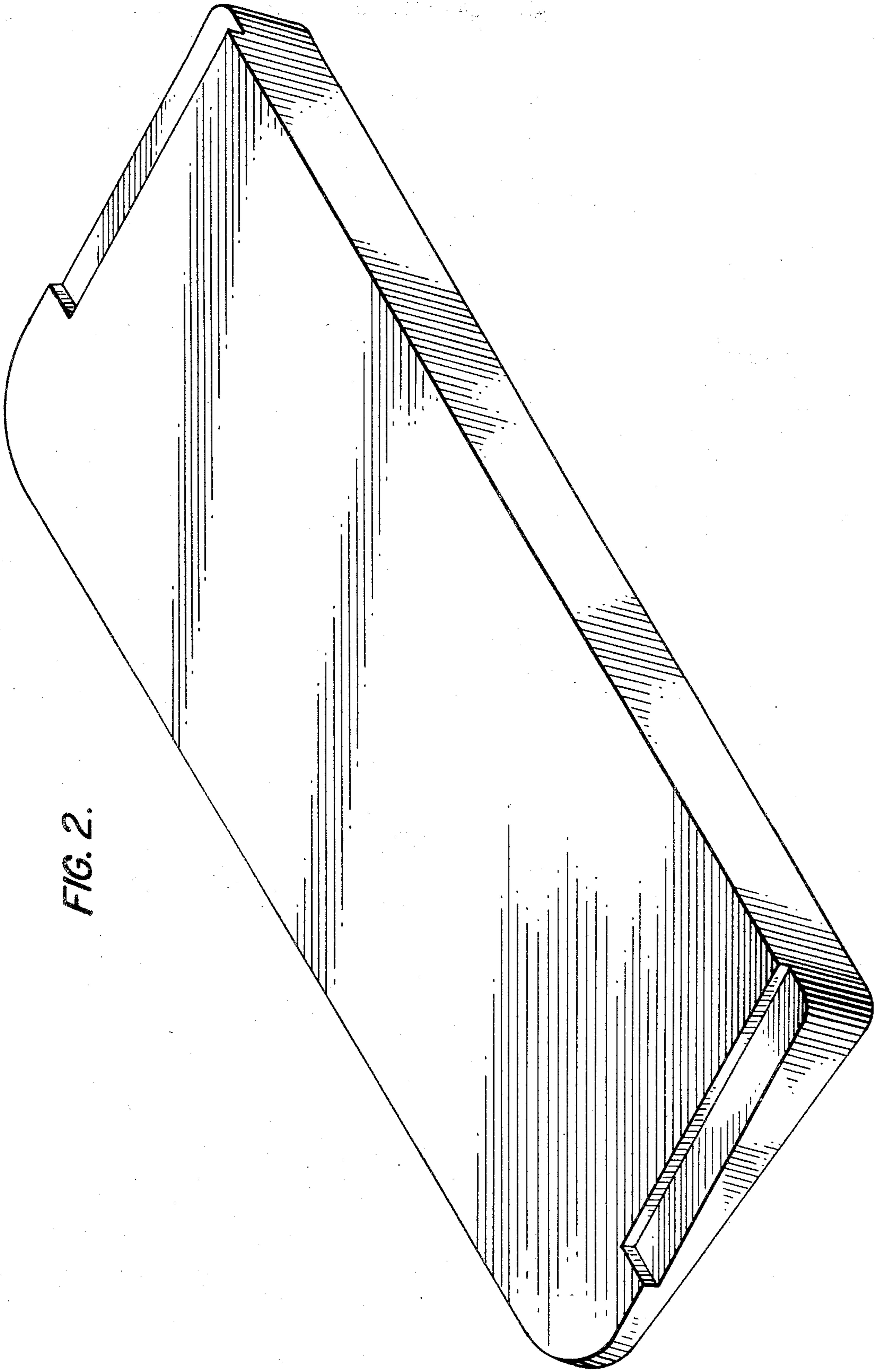


FIG. 2.

FIG. 3.

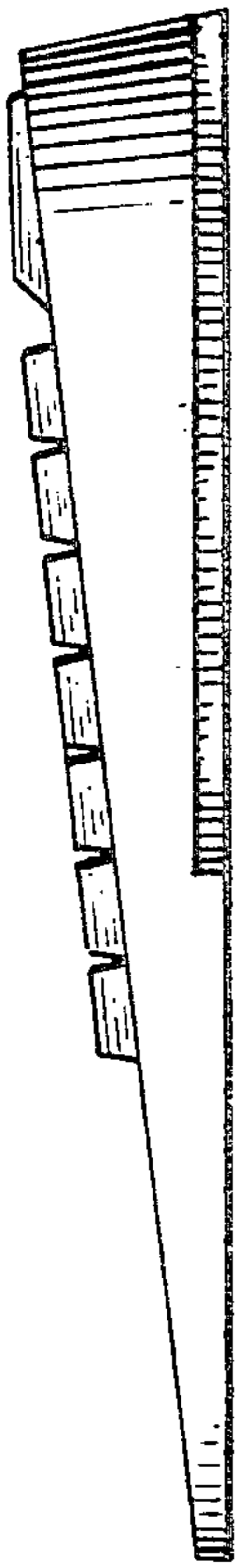


FIG. 4.

