

[54] FACSIMILE TRANSCEIVER

[75] Inventors: Yoshiyuki Fujiyama; Hidemi Watanabe; Toshihiro Kumano; Minoru Terakado; Yoshitatsu Okiyama, all of Nagano, Japan

[73] Assignee: Matsushita Graphic Communications Systems Inc., Japan

[**] Term: 14 Years

[21] Appl. No.: 619,241

[22] Filed: Jun. 11, 1984

[30] Foreign Application Priority Data

Feb. 6, 1984 [JP] Japan 59-4015

[52] U.S. Cl. D14/94; D16/31

[58] Field of Search D14/1, 94, 99, 93, 95; D16/27, 30, 31; 358/256, 286

[56] References Cited

U.S. PATENT DOCUMENTS

- D. 221,356 8/1971 Penney D16/31
- D. 263,708 4/1982 Matsumoto et al. D14/94
- D. 268,580 4/1983 Matsumoto et al. D14/94

- D. 270,538 9/1983 Yasutani D16/30
- D. 272,153 1/1984 Shintani et al. D14/94

FOREIGN PATENT DOCUMENTS

586948 11/1982 Japan .

Primary Examiner—Charles A. Rademaker
Assistant Examiner—Theodore M. Shooman
Attorney, Agent, or Firm—Sughrue, Mion, Zinn, Macpeak, and Seas

[57] CLAIM

The ornamental design for a facsimile transceiver, as shown.

DESCRIPTION

FIG. 1 is a front, top and right side perspective view of a facsimile transceiver showing our new design; FIG. 2 is a rear, top and left side perspective view thereof; FIG. 3 is a front elevational view thereof; FIG. 4 is a top plan view thereof; FIG. 5 is a left side elevational view thereof; FIG. 6 is a rear elevational view thereof; FIG. 7 is a bottom plan view thereof; and FIG. 8 is a right side elevational view thereof.

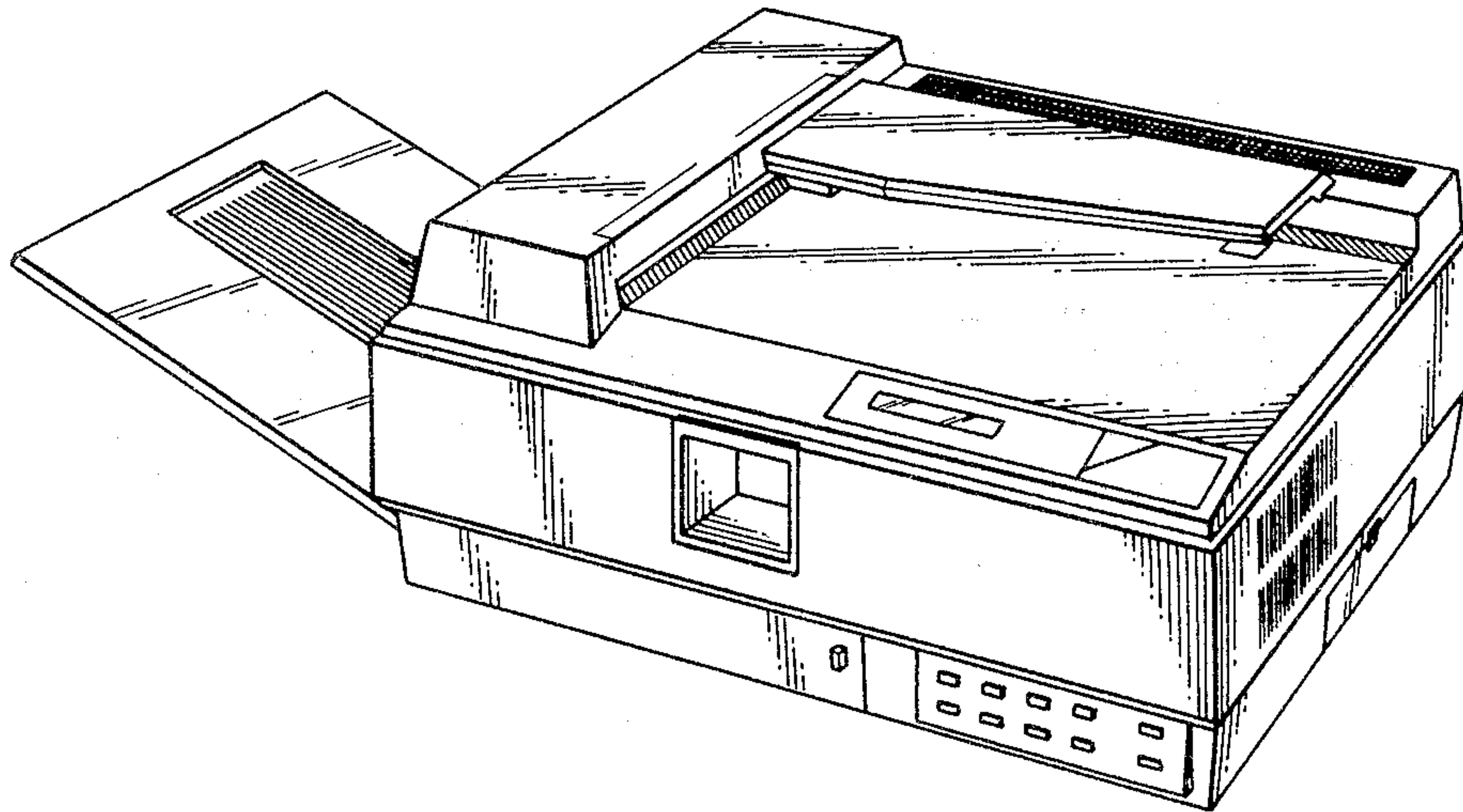


Fig. 1

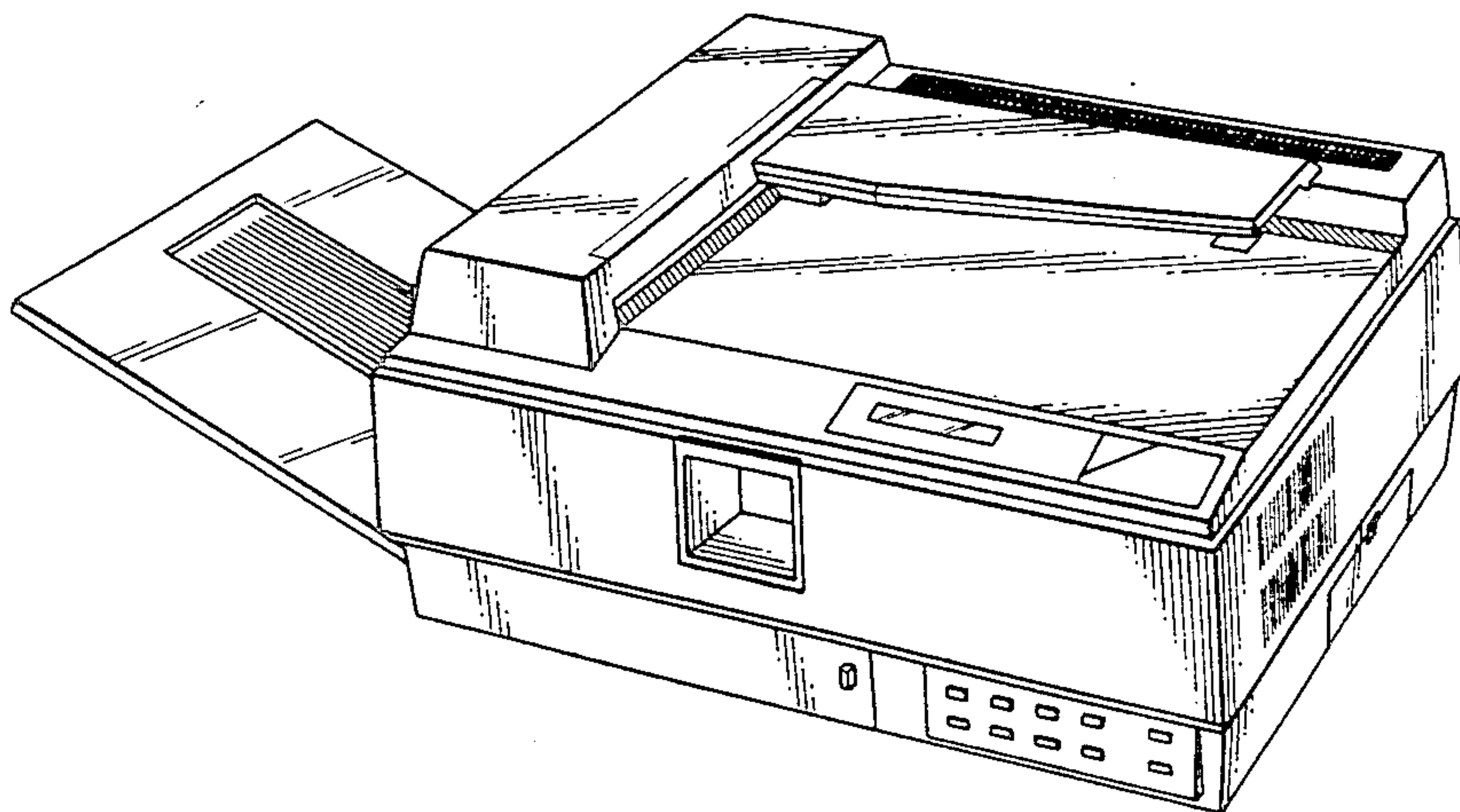


Fig. 2

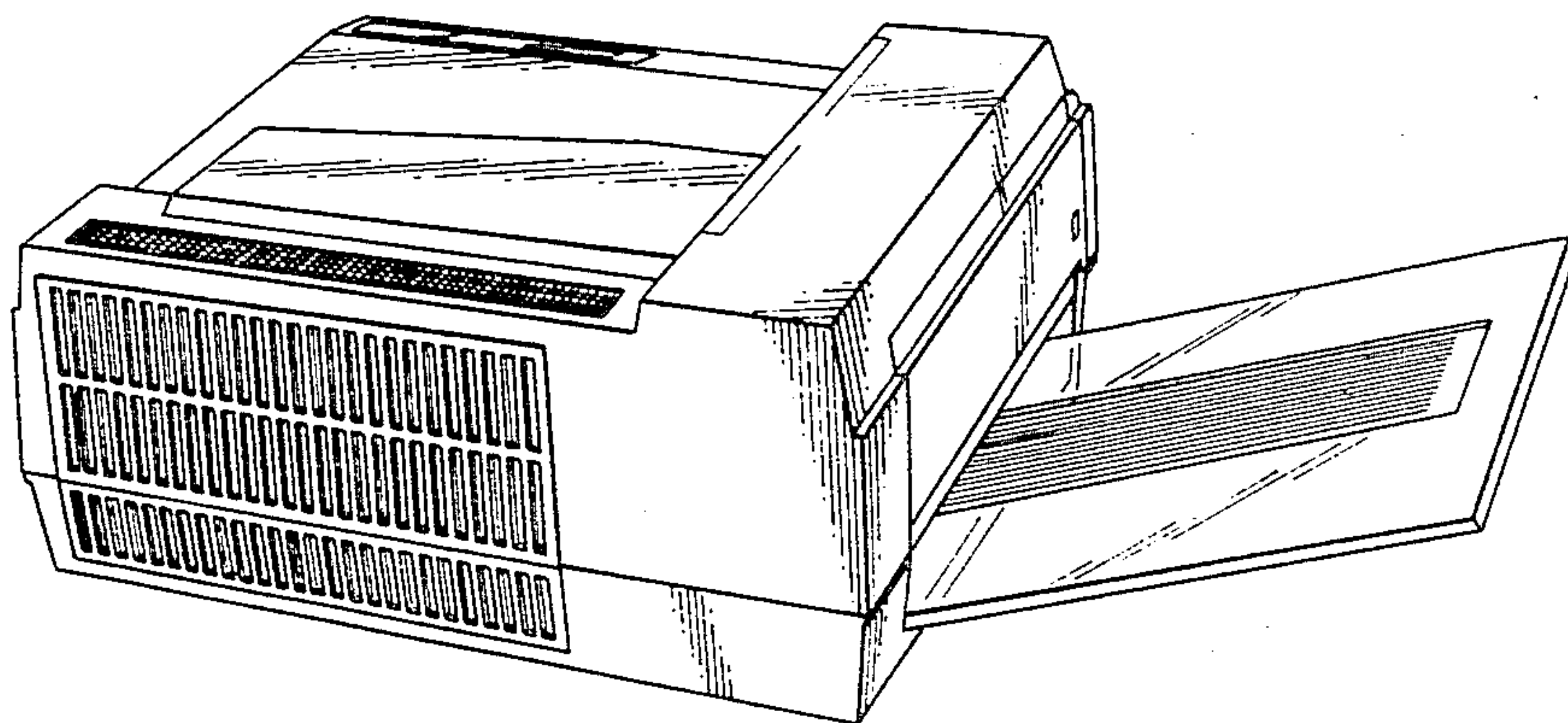


Fig. 3

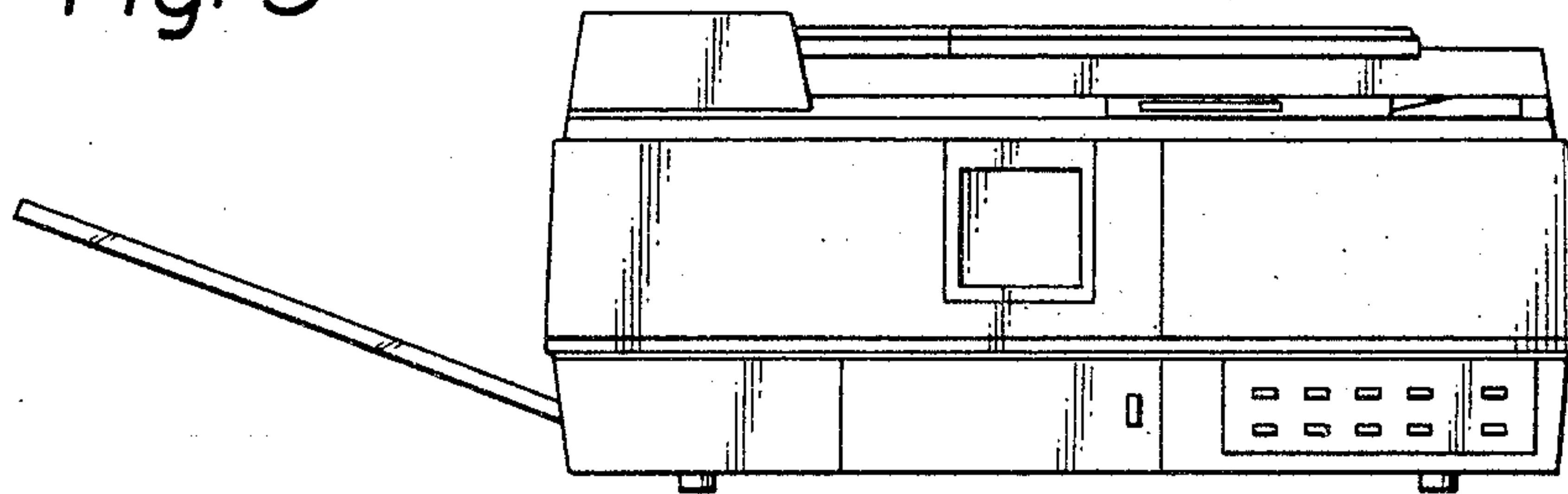


Fig. 4

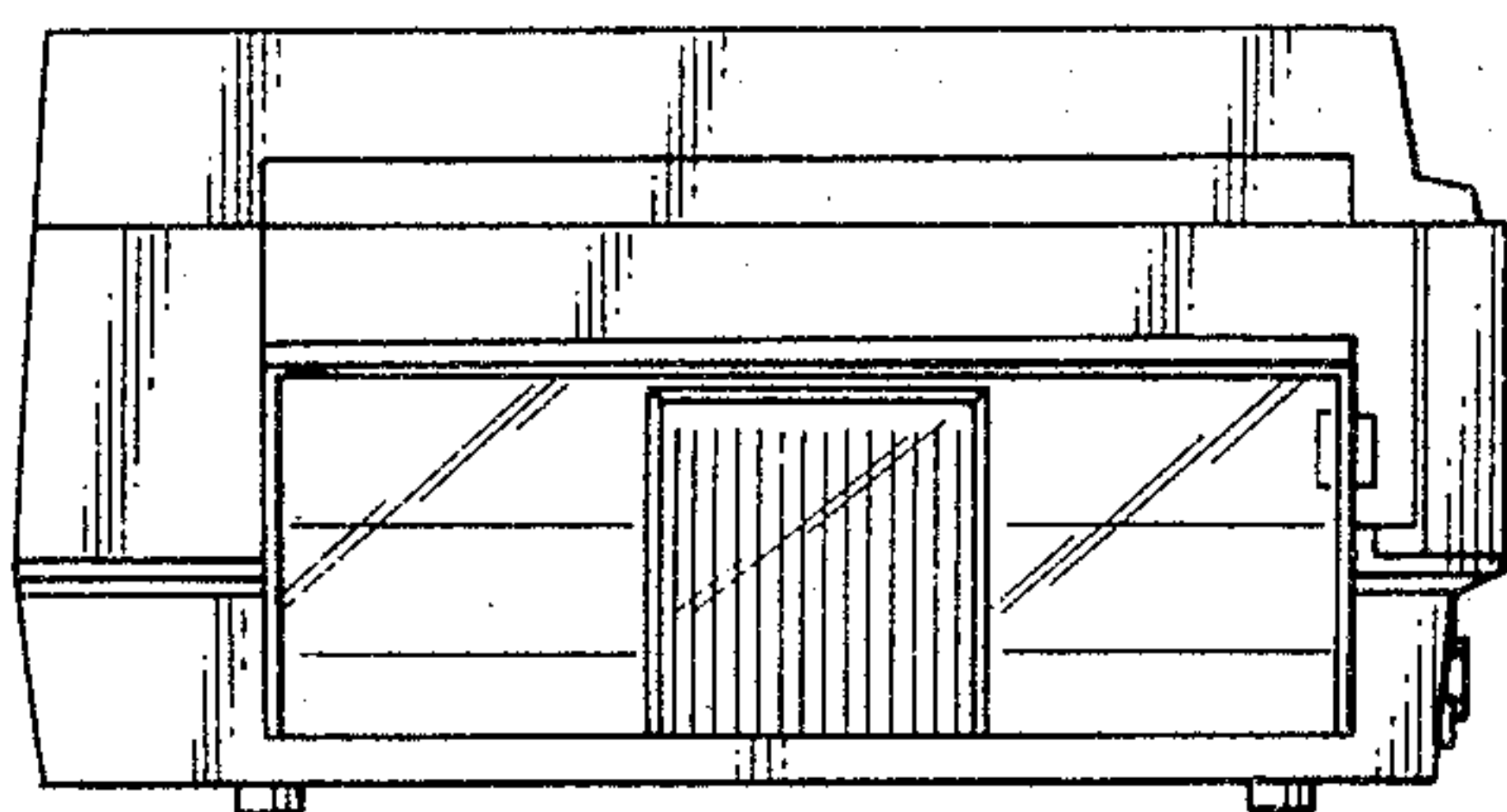
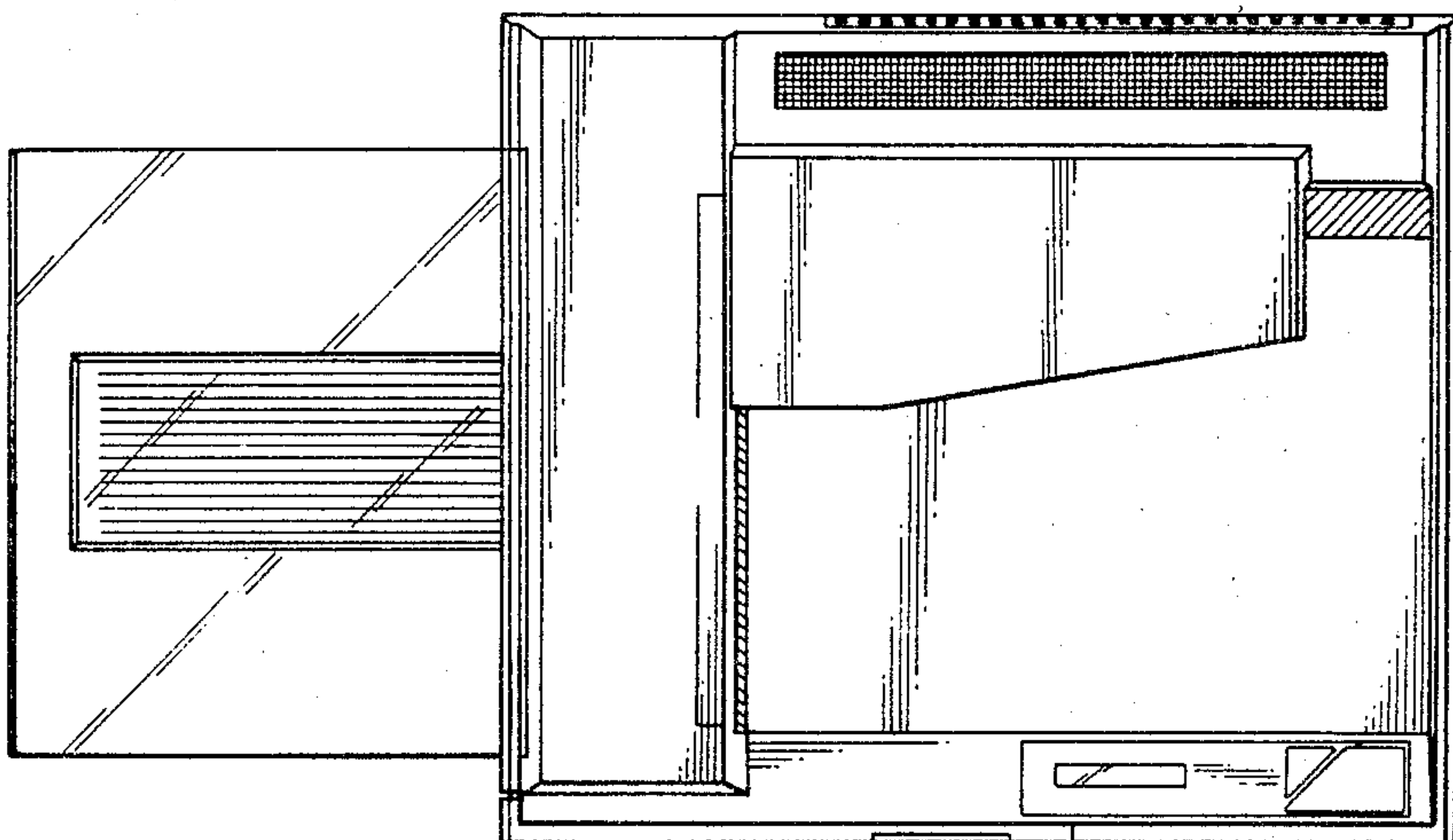


Fig. 5

Fig. 6

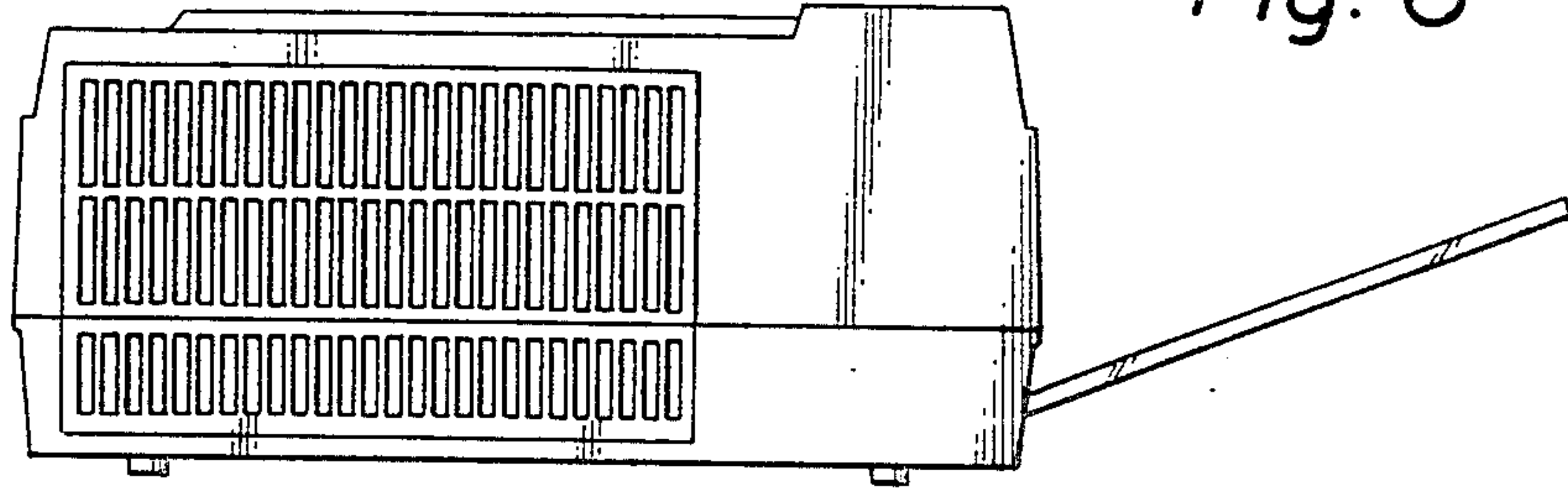


Fig. 7

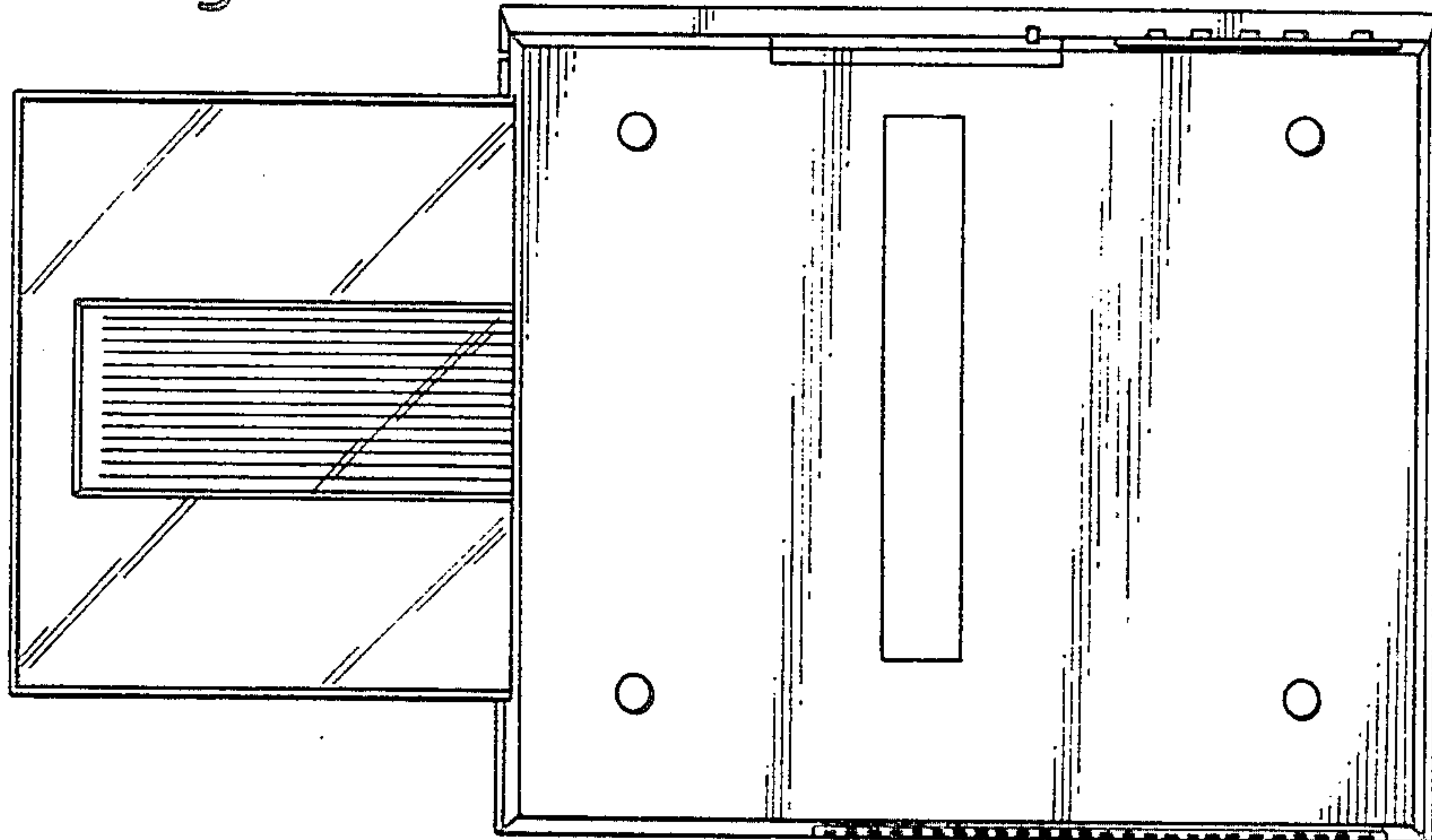


Fig. 8

