

[54] **AUTOMOBILE TIRE**

[75] **Inventor: Kenji Hatakenaka, Hyogo, Japan**

[73] **Assignee: Sumitomo Rubber Industries Ltd.,  
Kobe, Japan**

[\*\*] **Term: 14 Years**

[21] **Appl. No.: 610,806**

[22] **Filed: May 16, 1984**

[30] **Foreign Application Priority Data**

Mar. 28, 1984 [JP] Japan ..... 59-12267  
[52] **U.S. Cl. .... D12/151**  
[58] **Field of Search ..... D12/136, 137, 140-143,  
D12/146-151; 152/209 R, 209 D, 209 B**

[56] **References Cited  
PUBLICATIONS**

1983 Tread Design Guide, p. 11, Big "O" Big Steel Radial IV, top center of page.  
1983 Tread Design Guide, p. 12, Bridgestone Winter Radial 702 Tire, bottom right side of page.

*Primary Examiner*—James M. Gandy  
*Attorney, Agent, or Firm*—Cushman, Darby & Cushman

[57] **CLAIM**

The ornamental design for an automobile tire, as shown and described.

**DESCRIPTION**

FIG. 1 is a perspective view of an automobile tire showing my new design, it being understood that the tread pattern is repeated throughout the circumference of the tire;  
FIG. 2 is an end elevational view thereof; and  
FIG. 3 is a side elevational view of the side shown, the opposite side being a mirror image thereof.

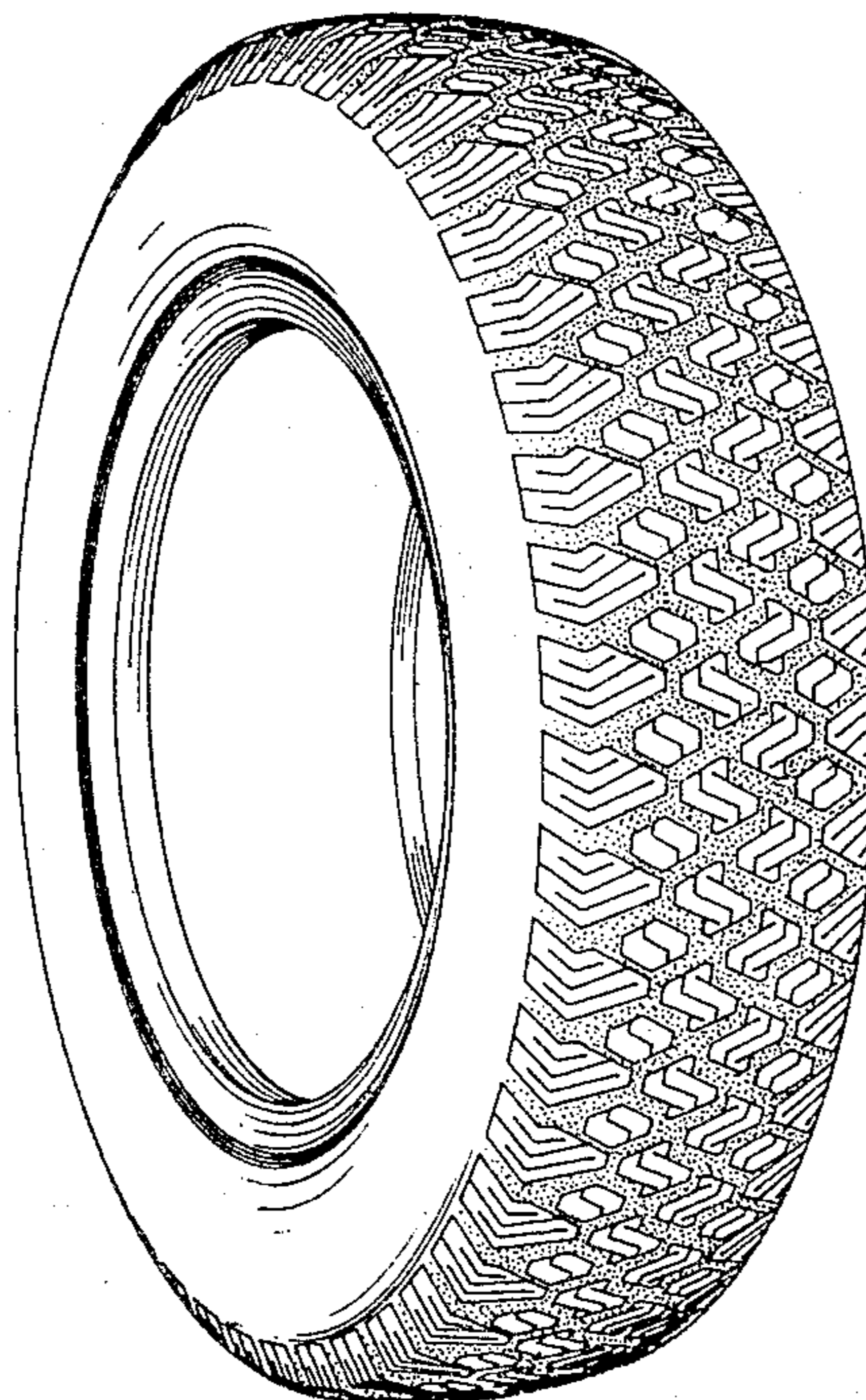


FIG. 1

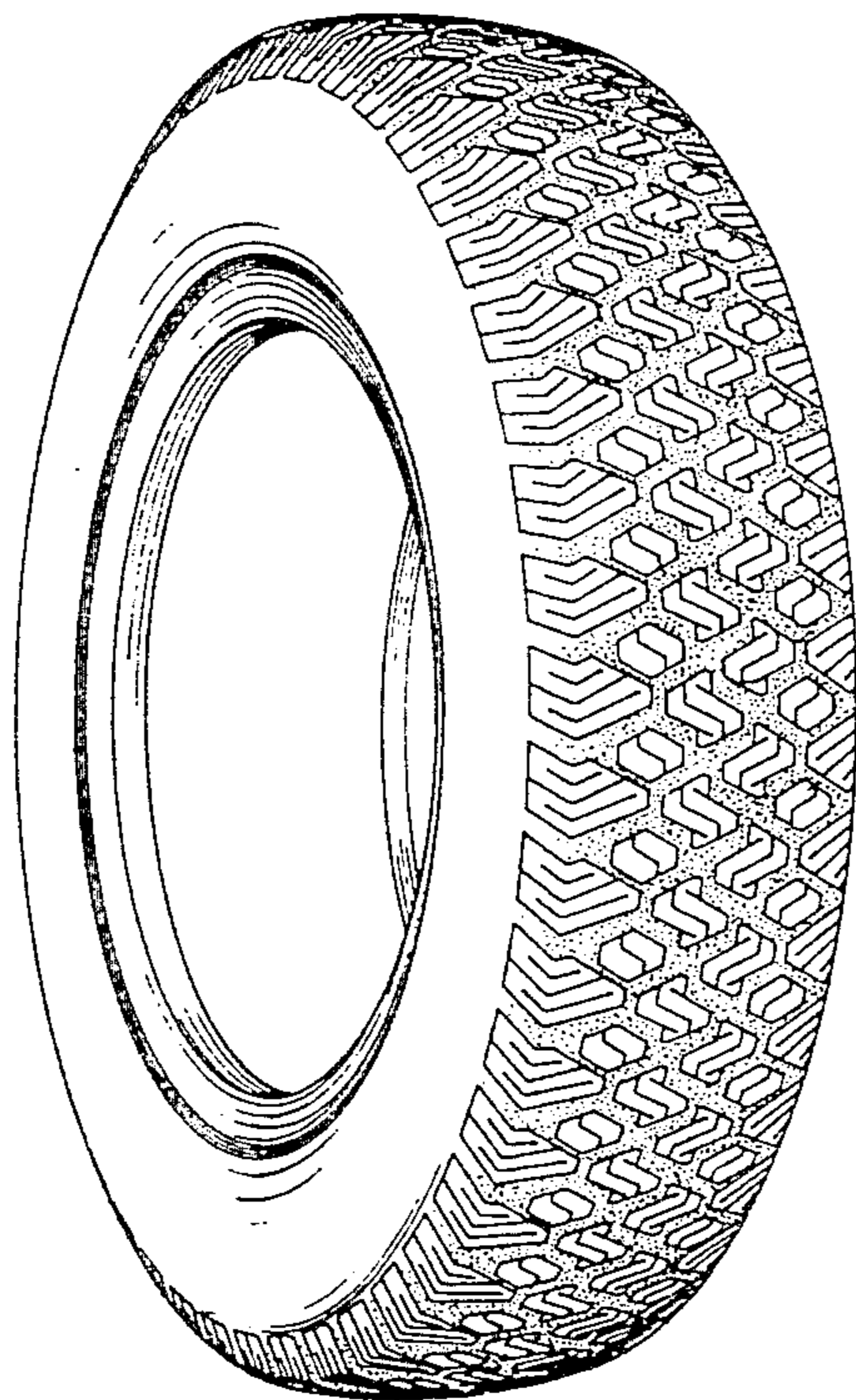


FIG. 2

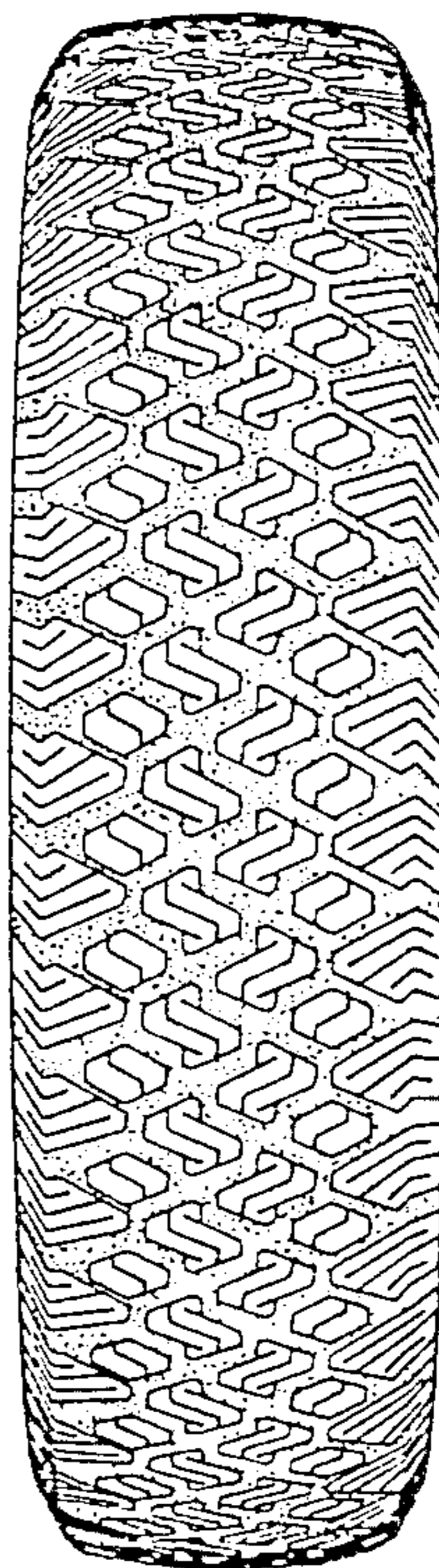


FIG. 3

