

[54] CHRISTMAS TREE

[76] Inventor: Robert M. Vogel, 414 Frances St., Key West, Fla. 33040

[**] Term: 14 Years

[21] Appl. No.: 633,651

[22] Filed: Jul. 23, 1984

[52] U.S. Cl. D11/118; D11/130.1

[58] Field of Search D11/118, 117, 130, 130.1, D11/143, 144, 149, 181, 182; 428/18, 19, 20, 8, 9, 12; 248/519, 523, 529; 211/196, 205; 362/123

[56] References Cited

U.S. PATENT DOCUMENTS

- D. 142,018 8/1945 Campbell D11/118 X
- 982,866 1/1911 Poppendieck 248/523
- 1,089,290 3/1914 Thompson 211/205 X

- 1,345,475 7/1920 Carlstrand D11/118 X
- 1,481,468 1/1924 Juth 248/523
- 3,206,593 9/1965 Winnicki, Sr. 362/123
- 3,617,732 11/1971 Fisher 362/123 X

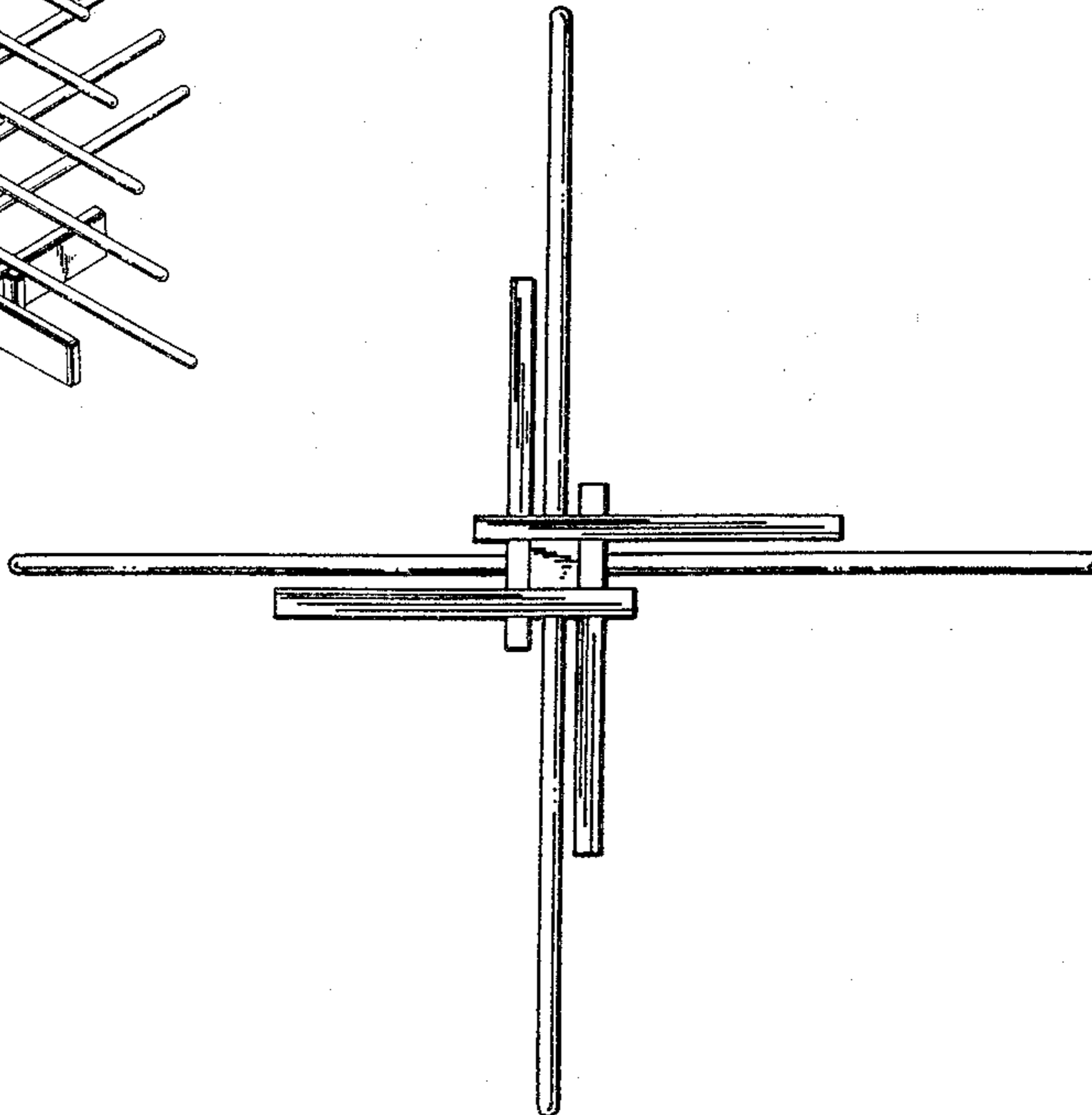
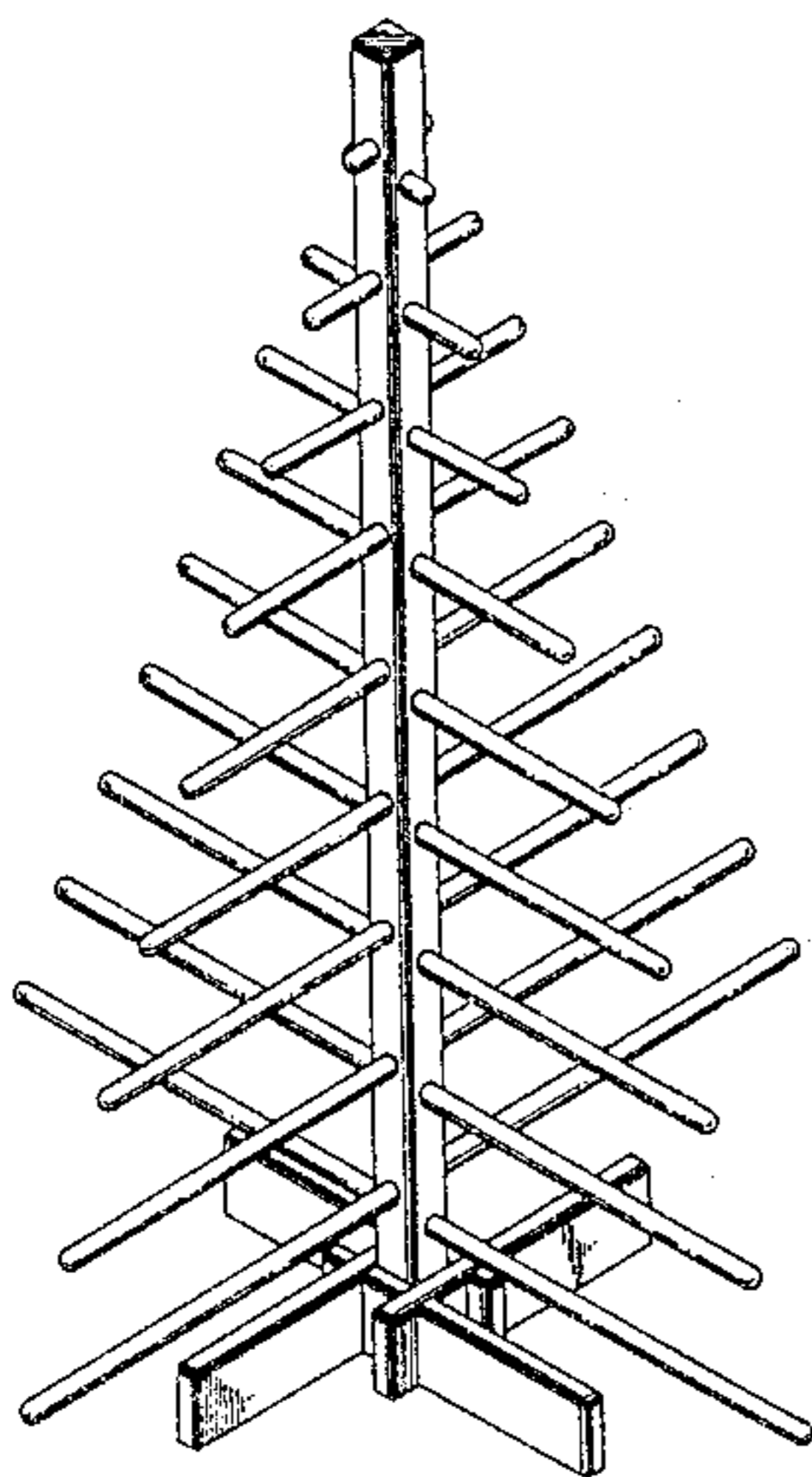
Primary Examiner—Winifred E. Herrmann
Attorney, Agent, or Firm—McCormick, Paulding & Huber

[57] CLAIM

The ornamental design for a Christmas tree, as shown and described.

DESCRIPTION

FIG. 1 is a front, top and right side perspective view of a Christmas tree showing my new design;
FIG. 2 is a left side elevational view;
FIG. 3 is a top plan view;
FIG. 4 is a rear elevational view;
FIG. 5 is a bottom plan view.



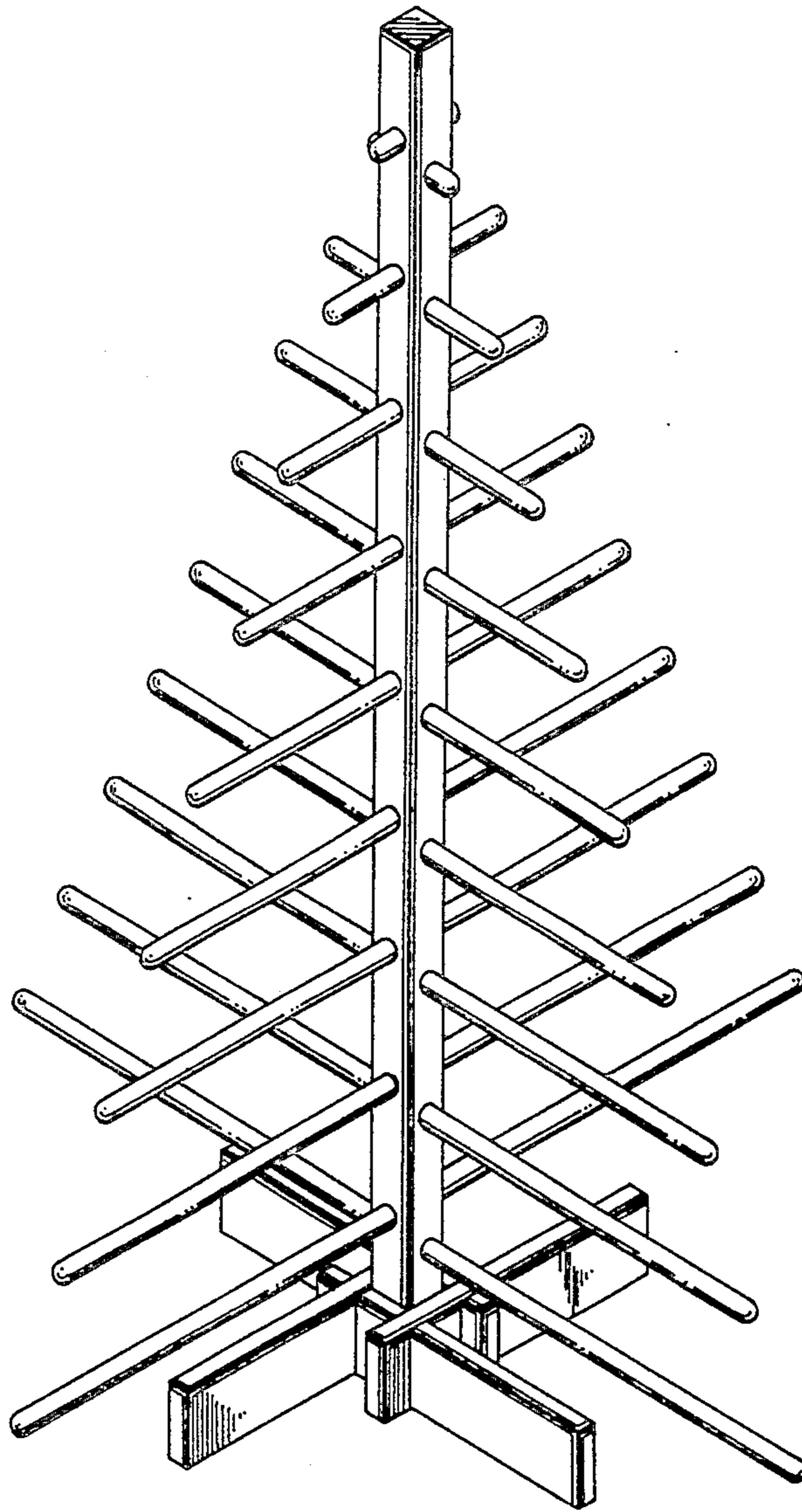


FIG. 1

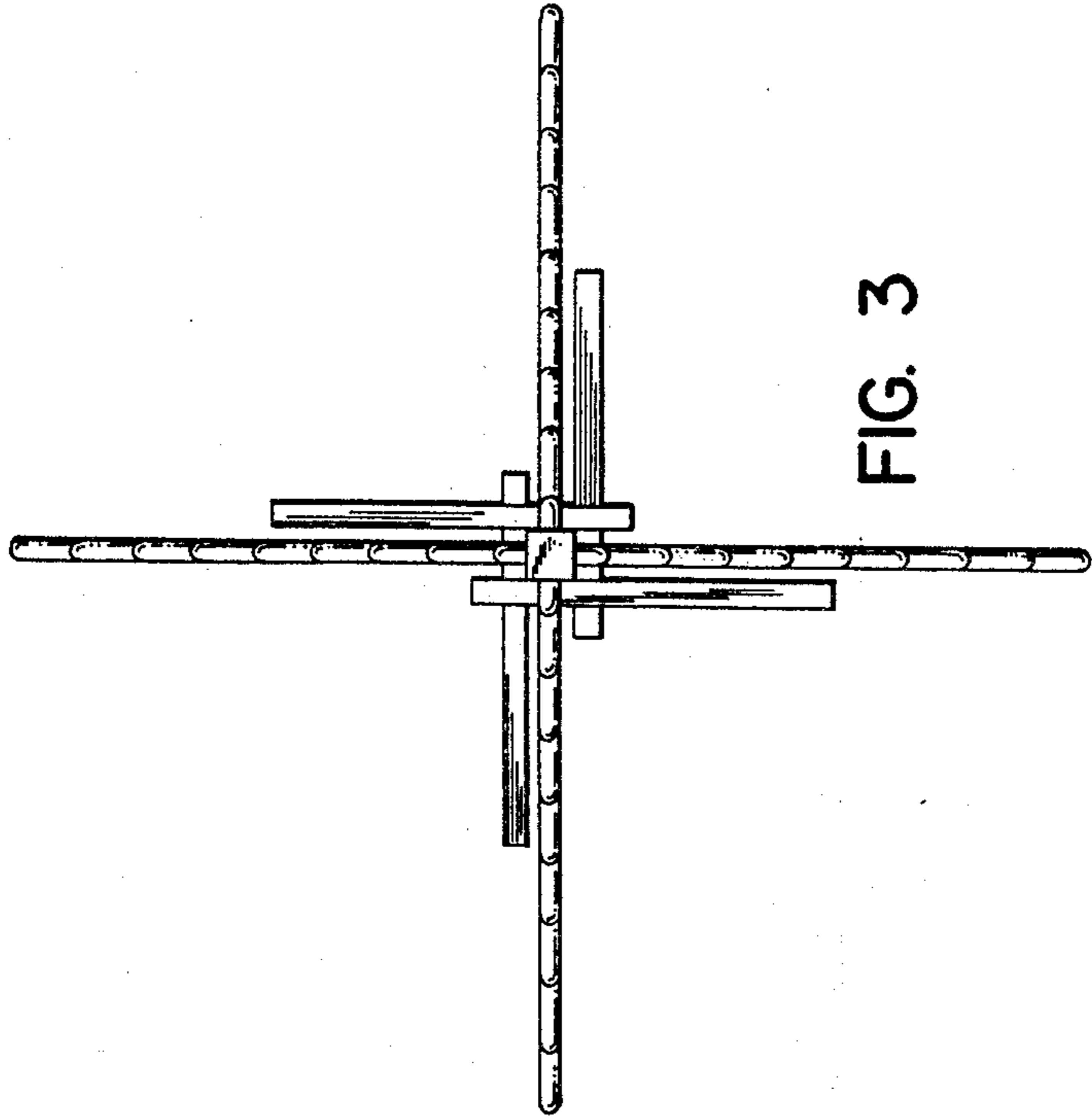


FIG. 3

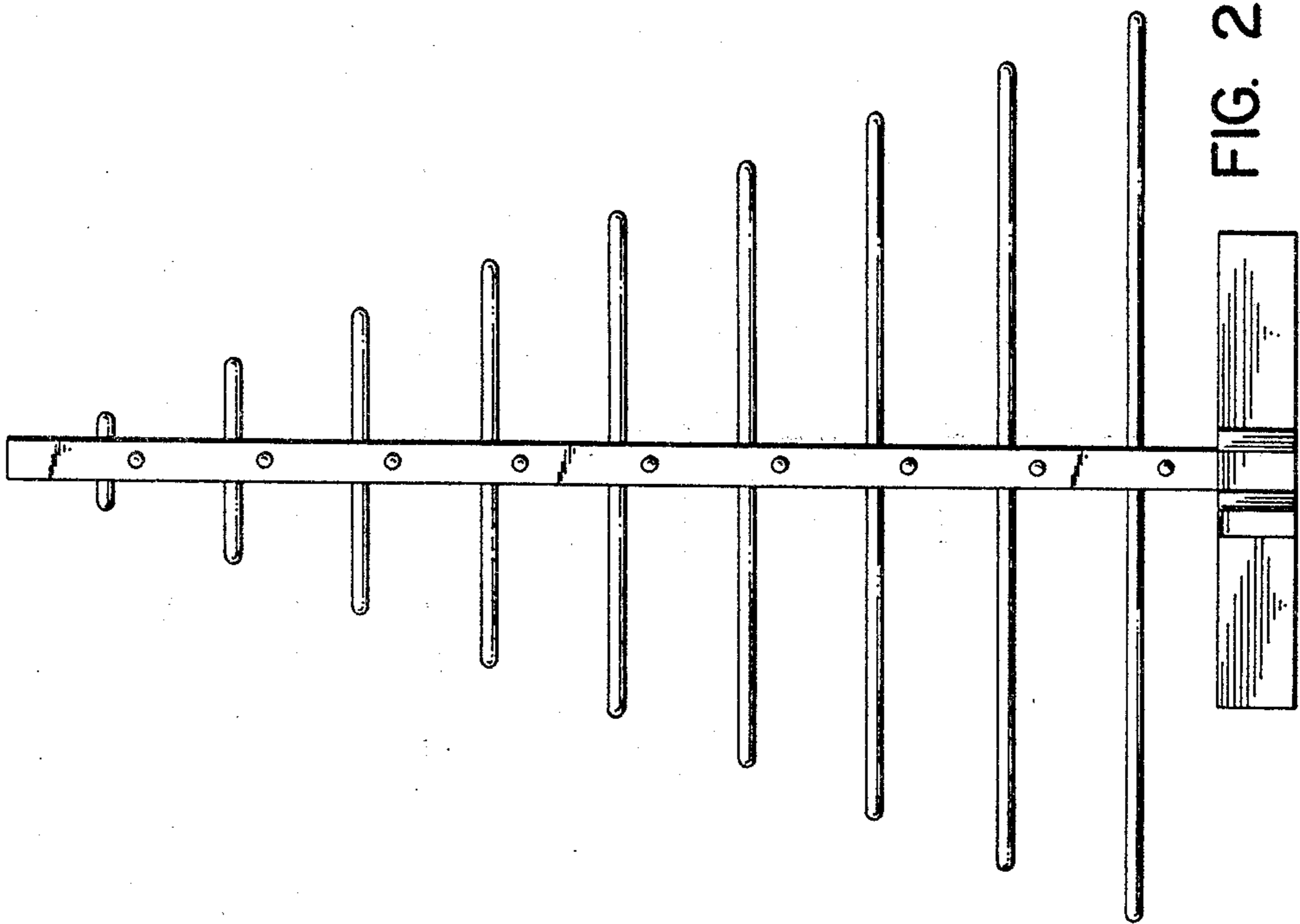


FIG. 2

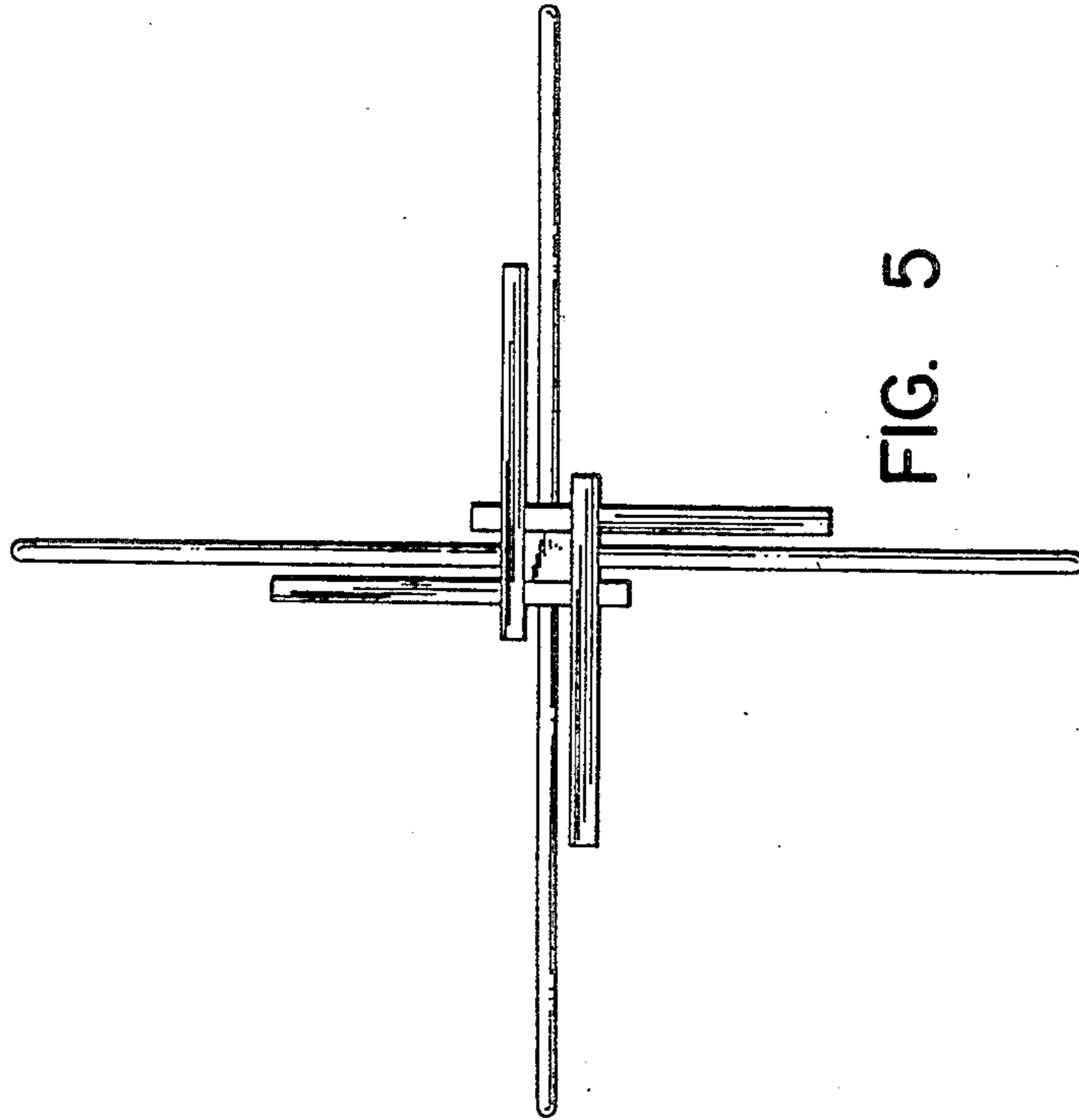


FIG. 5

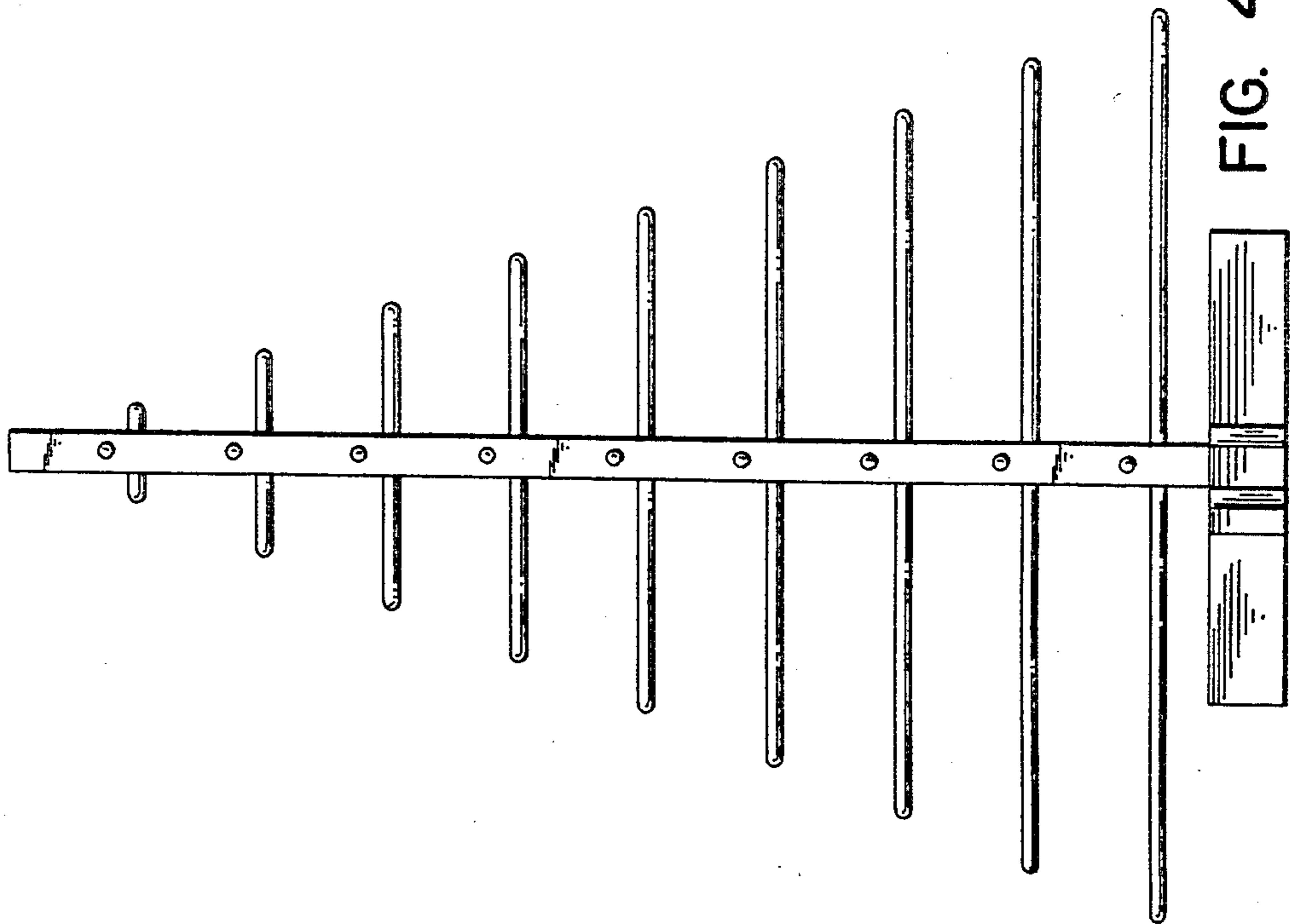


FIG. 4