

[54] ELECTRIC FLUSH STAPLER

- [75] Inventor: Robert I. Somers, Raleigh, N.C.
- [73] Assignee: Black & Decker, Inc., Newark, Del.
- [\*\*] Term: 14 Years
- [21] Appl. No.: 595,604
- [22] Filed: Apr. 2, 1984
- [52] U.S. Cl. .... D8/69; D8/49
- [58] Field of Search ..... D8/49, 50, 61, 69; 227/131, 130, 132; 173/117

[56] References Cited

U.S. PATENT DOCUMENTS

- D. 203,142 12/1965 Doherty ..... D8/69
- D. 266,221 9/1982 Ewig ..... D8/49
- 4,230,249 10/1980 Nasiatka et al. .... D8/49 X
- 4,485,952 12/1984 Weis ..... 227/113 X

OTHER PUBLICATIONS

Black & Decker Power Tools Catalog, Form No. 368, 1984, Cover (back and front) and p. 100 showing heavy duty stapler, Model No. 9700.  
 Swingline Consumer Products Division Catalog, Code No. H2012, publication date unknown, Cover (back and front) and pp. 2 and 3 showing electric staple gun, Model No. 34201.  
 Sears Power and Hand Tools Catalog, 1984/85, Cover

and p. 27 showing a Craftsman electric stapler, Catalog No. 9GT68423 and brad nailer, Catalog No. 9GT68425. Black & Decker Gesamtprogramm, 1984/85, Cover and p. 62 showing an electric stapler, Model No. DN418. Arrow Precision Made Stapling Machines Catalog No. 1820, publication date unknown, Cover and two unnumbered pages showing the ET-50oc Outward Clinch Electro-Matic Staple Gun Tacker and ET-50 Electro-Matic Staple Gun.

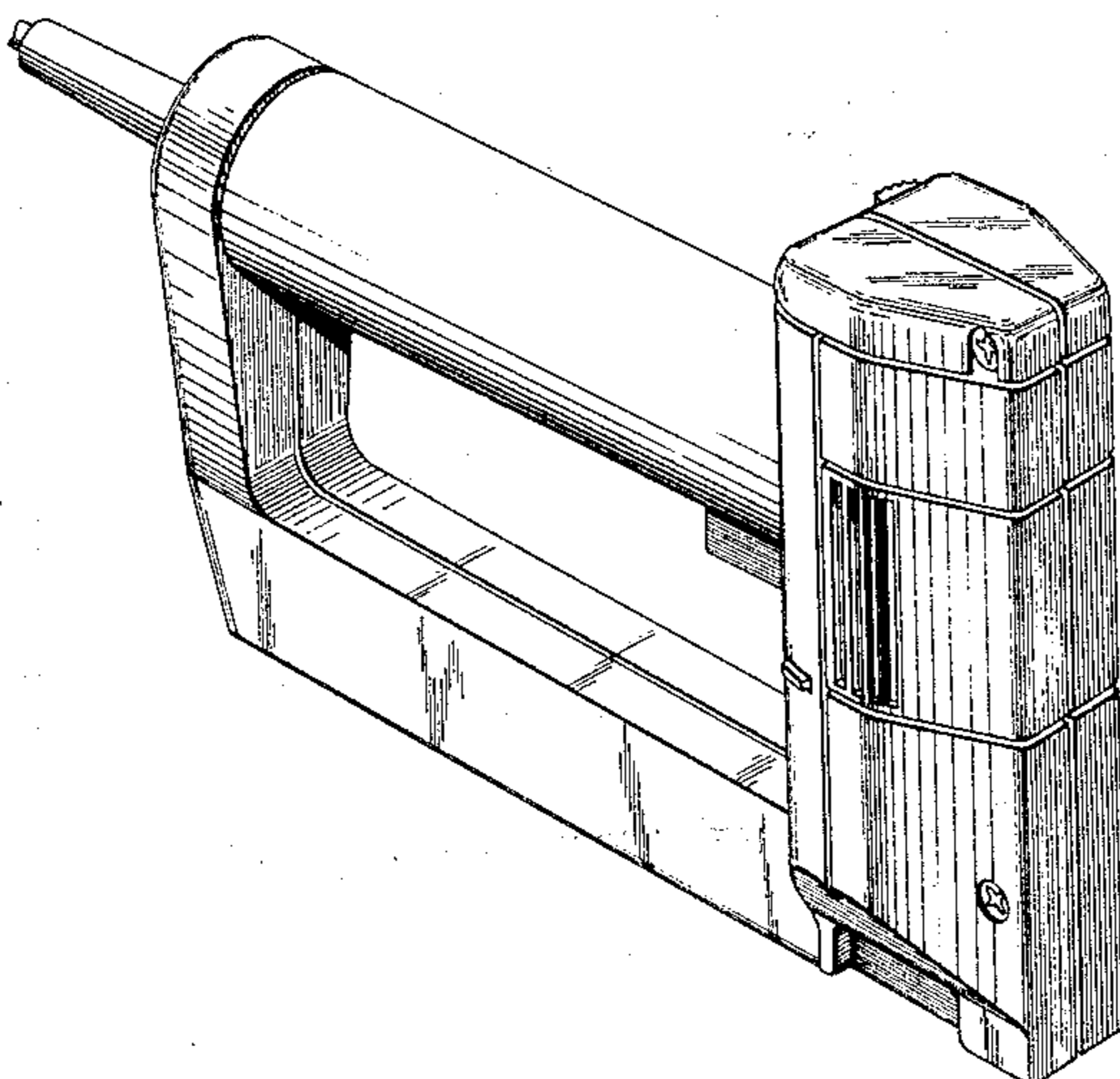
Primary Examiner—Bernard Ansher  
 Assistant Examiner—Terry Pfeffer  
 Attorney, Agent, or Firm—Finnegan, Henderson, Farabow, Garrett & Dunner

[57] CLAIM

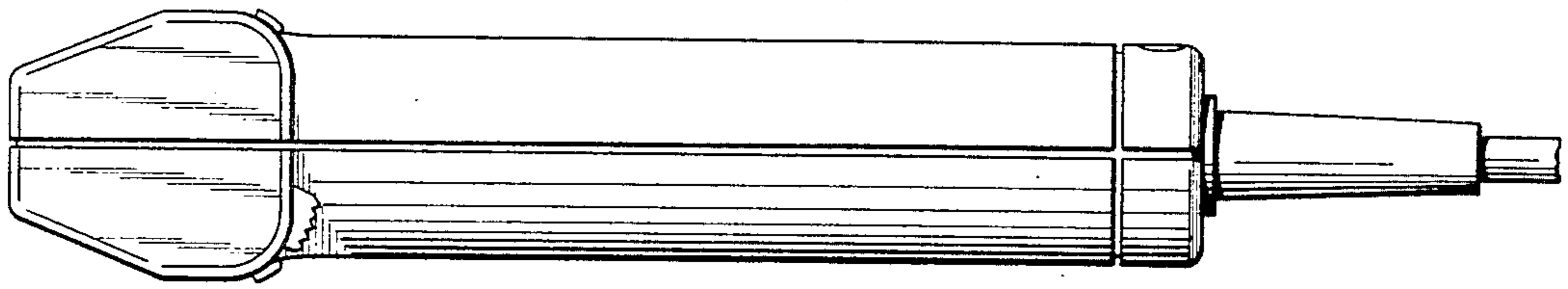
The ornamental design of an electric flush stapler, as shown and described.

DESCRIPTION

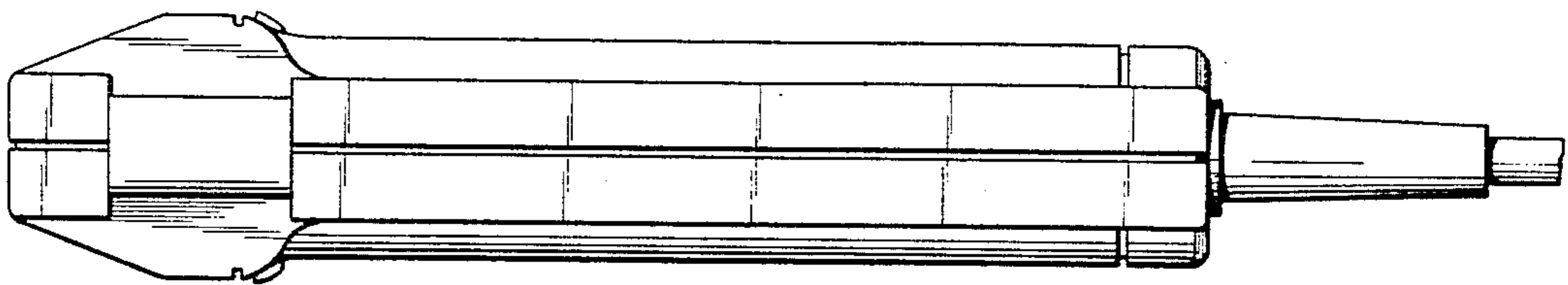
FIG. 1 is a top plan view of an electric flush stapler showing my new design;  
 FIG. 2 is a bottom plan view thereof;  
 FIG. 3 is a left side elevational view thereof;  
 FIG. 4 is a right side elevational view thereof;  
 FIG. 5 is a rear elevational view thereof;  
 FIG. 6 is a front elevational view thereof; and  
 FIG. 7 is a perspective view thereof.



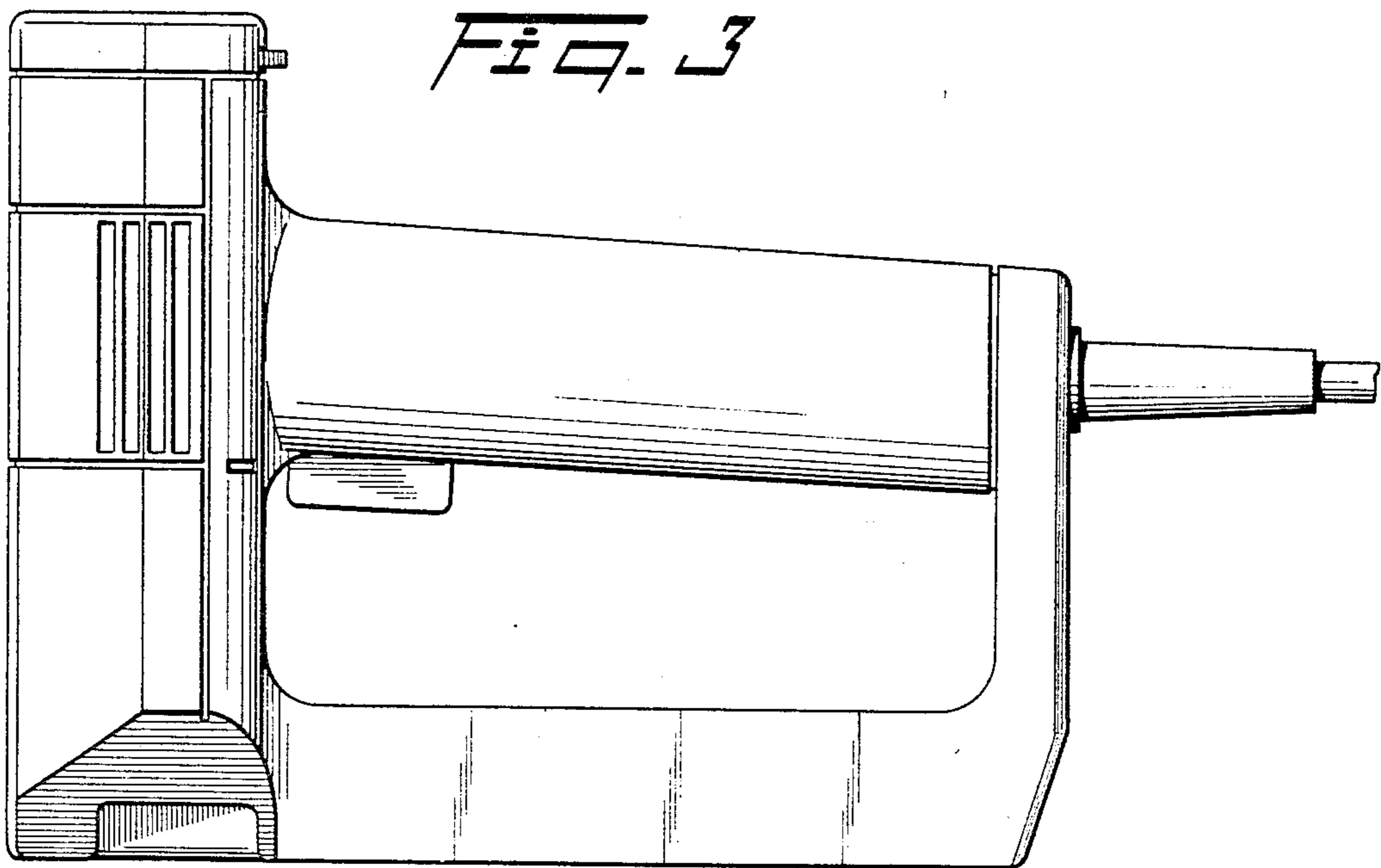
*Fig. 1*



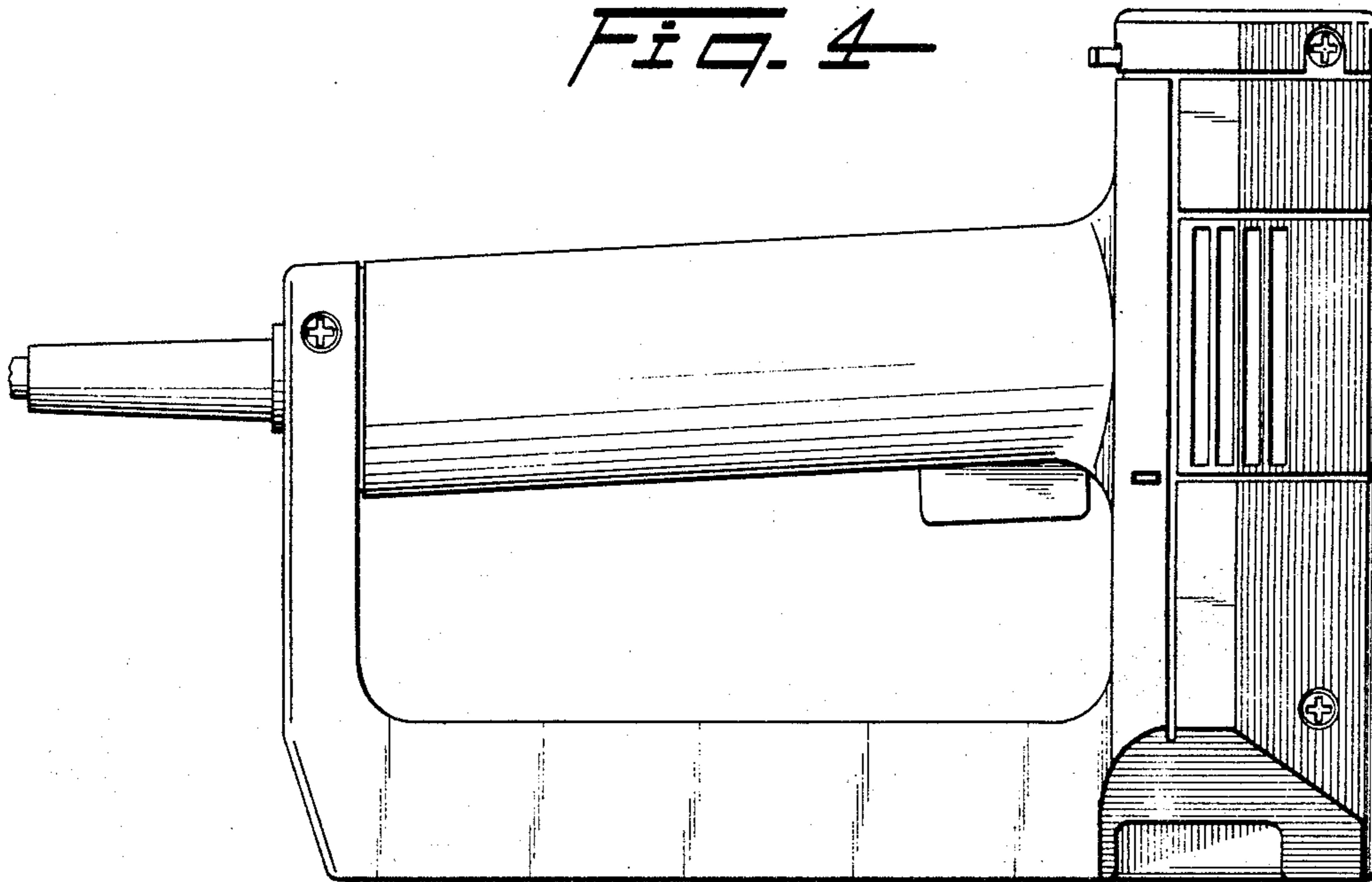
*Fig. 2*



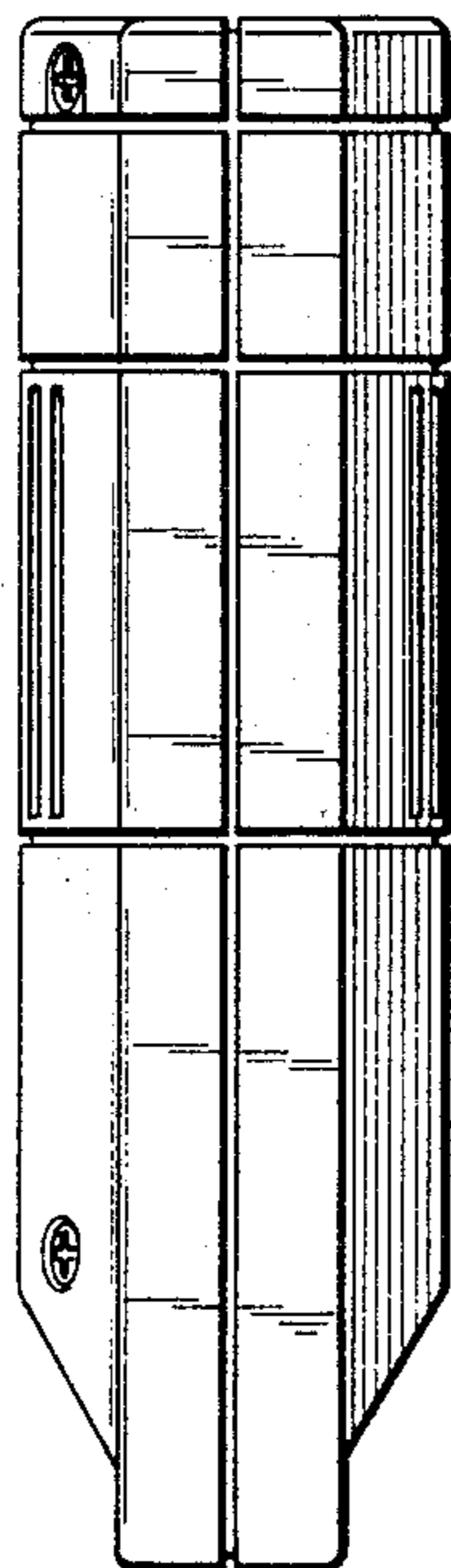
*Fig. 3*



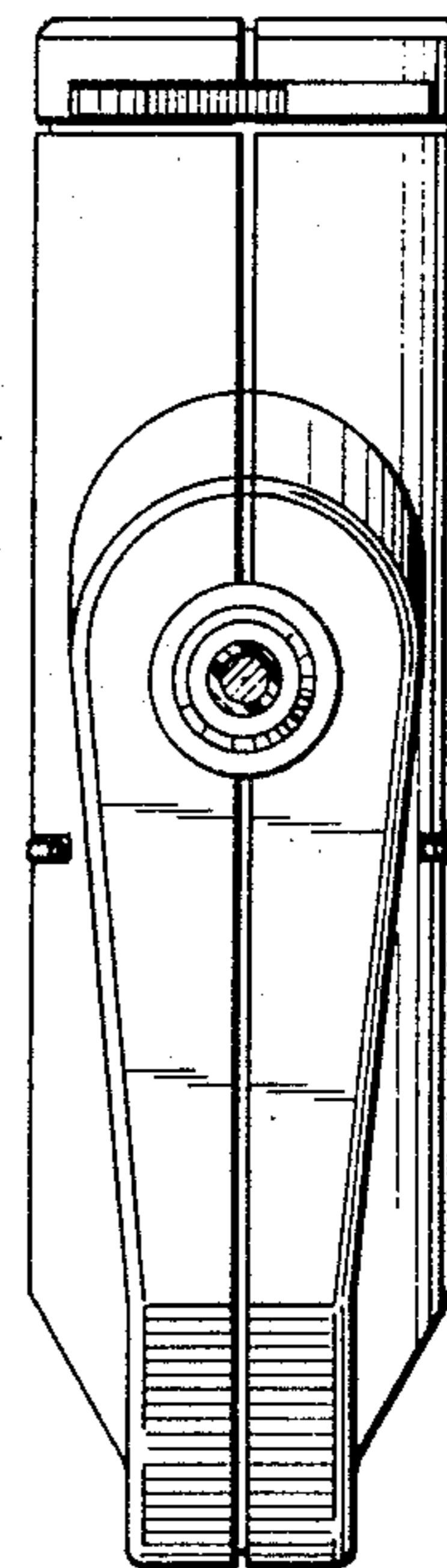
*Fig. 4*



*Fig. 5*



*Fig. 6*



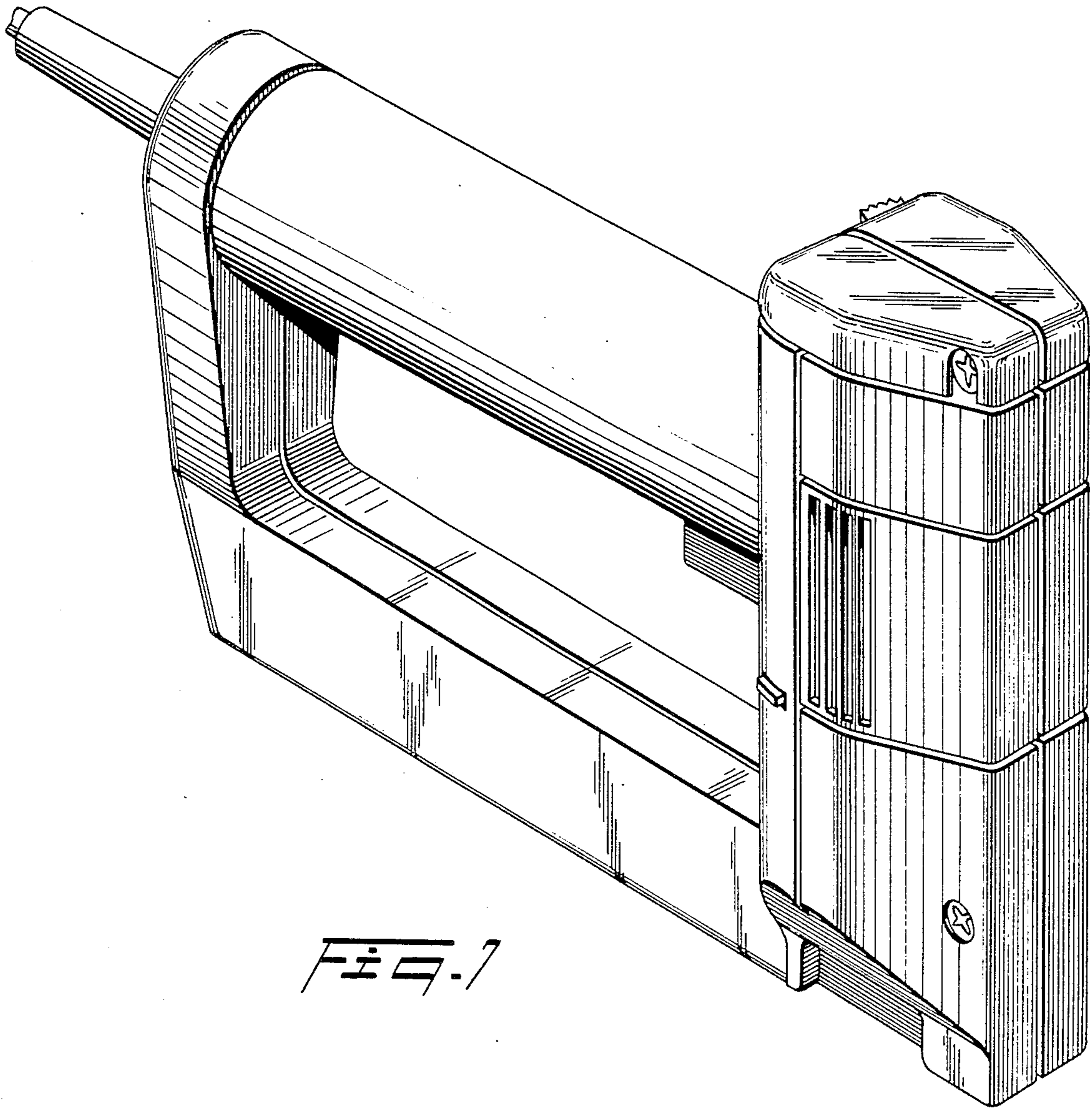


FIG. 1