

[54] ROASTER

[75] Inventor: Frederick D. Alexander, Arlington Heights, Ill.

[73] Assignee: Ekco Products, Inc., Wheeling, Ill.

[*] Notice: The portion of the term of this patent subsequent to Jan. 20, 2001 has been disclaimed.

[**] Term: 14 Years

[21] Appl. No.: 598,193

[22] Filed: Apr. 9, 1984

[52] U.S. Cl. D7/354; D7/360

[58] Field of Search D7/354, 360, 359; 206/518; 220/72, 74, 4 B

[56] References Cited

U.S. PATENT DOCUMENTS

- D. 177,360 4/1956 Becker et al. D7/359
- D. 209,605 12/1967 Zoeller et al. D7/359
- D. 226,775 4/1973 Jones D7/359
- D. 241,109 8/1976 Levin D7/359
- D. 280,590 9/1985 Schrage D7/360
- 3,233,812 2/1966 Kennedy 206/518 X
- 3,659,585 5/1972 Bay 220/72 X

- 4,014,450 3/1977 Girotti et al. 220/4 B X
- 4,113,095 9/1978 Dietz et al. 220/72 X

Primary Examiner—Bernard Ansher
Assistant Examiner—Linda Titolo
Attorney, Agent, or Firm—Neuman, Williams, Anderson & Olson

[57] CLAIM

The ornamental design for a roaster, as shown and described.

DESCRIPTION

FIG. 1 is a top front and right side perspective view of a roaster showing my new design;
 FIG. 2 is a top plan view thereof;
 FIG. 3 is a front elevational view thereof, the rear view being a mirror image thereof;
 FIG. 4 is a right side elevational view thereof, the left side being a mirror image thereof;
 FIG. 5 is a bottom plan view thereof;
 FIG. 6 is a cross-sectional view thereof, taken on line 6—6 of FIG. 2;
 FIG. 7 is an enlarged fragmentary cross-sectional view thereof, taken on line 7—7 of FIG. 2; and
 FIG. 8 is an enlarged fragmentary cross-sectional view thereof, taken on line 8—8 of FIG. 2.

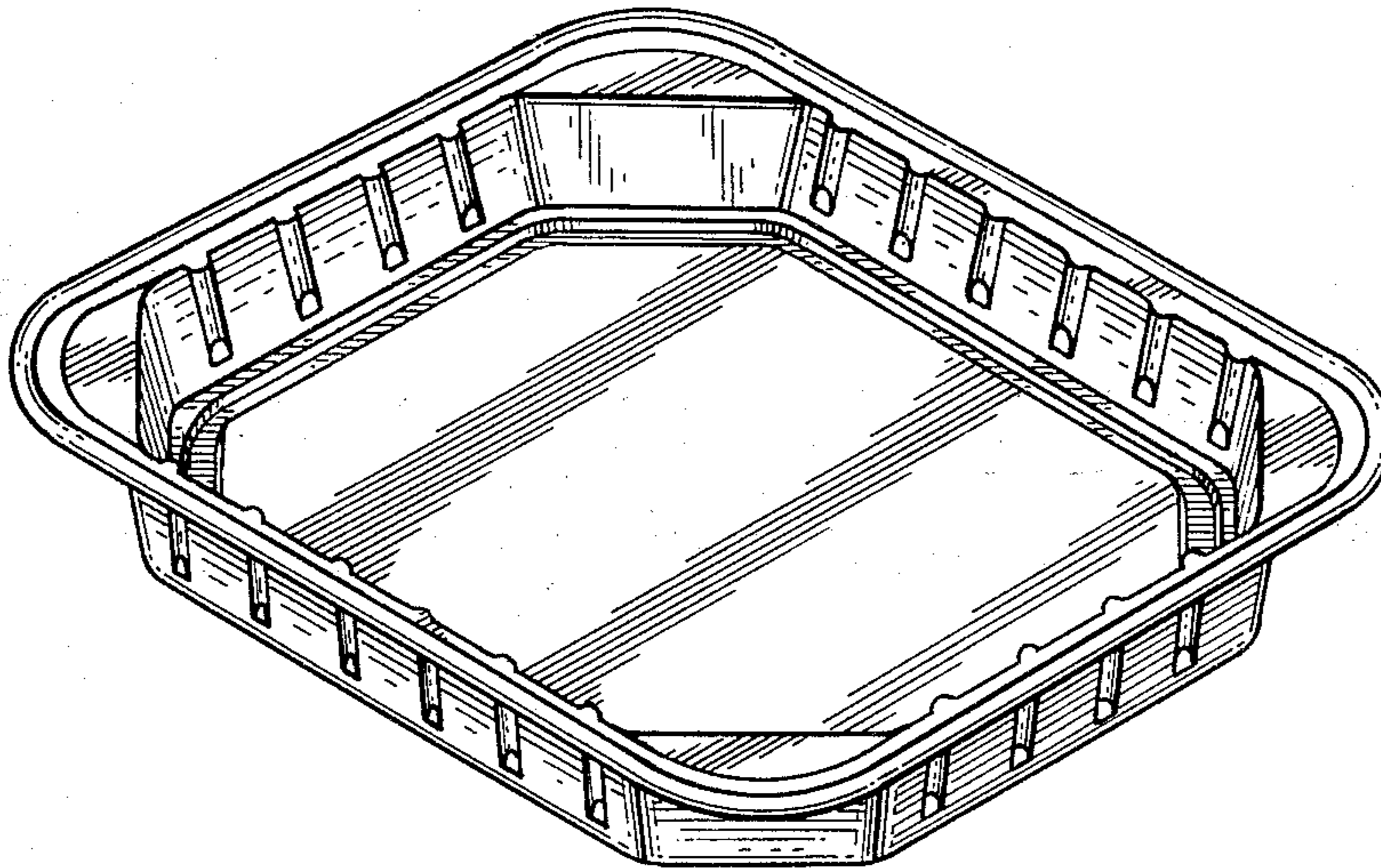


FIG. 1

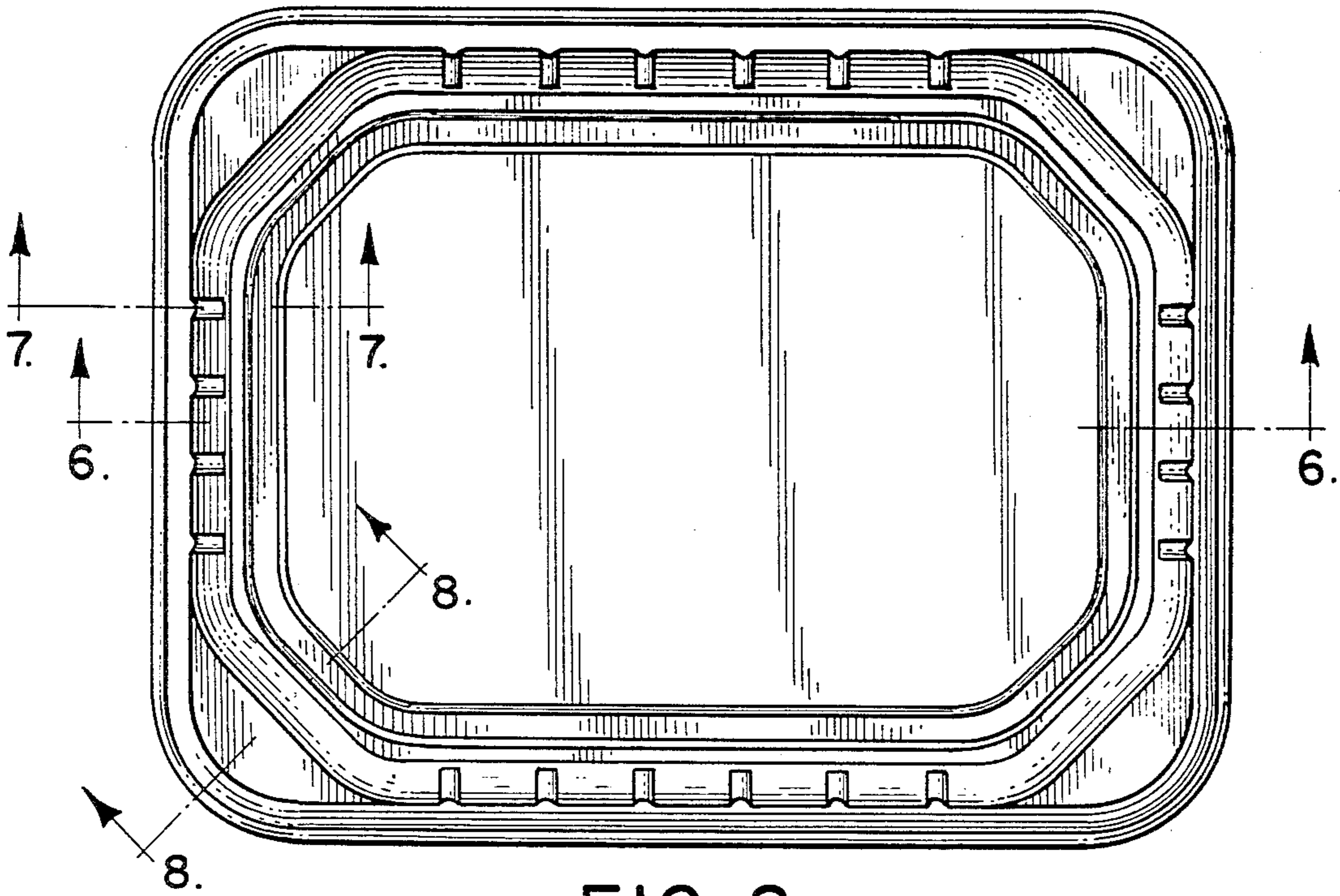
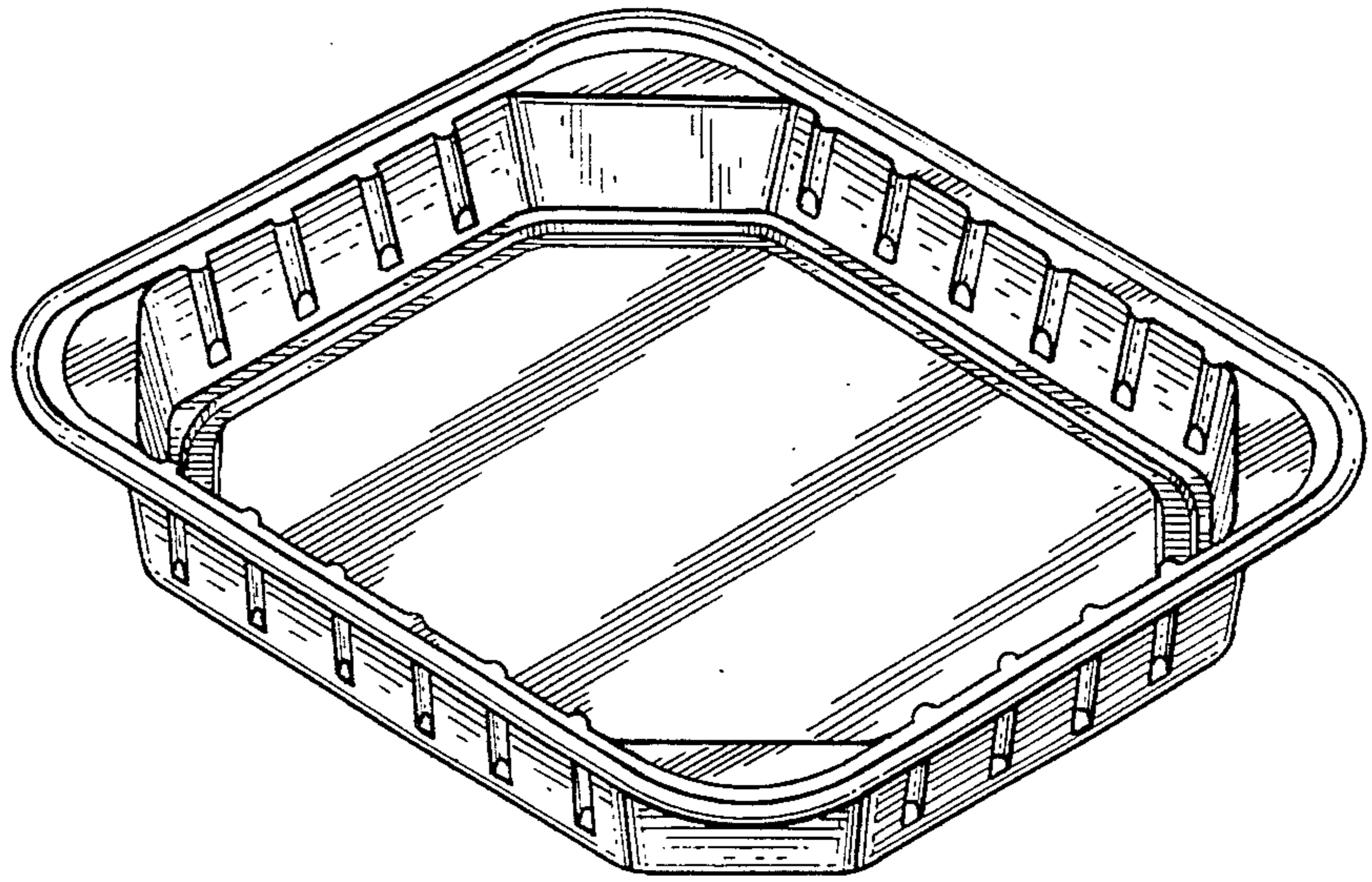


FIG. 2

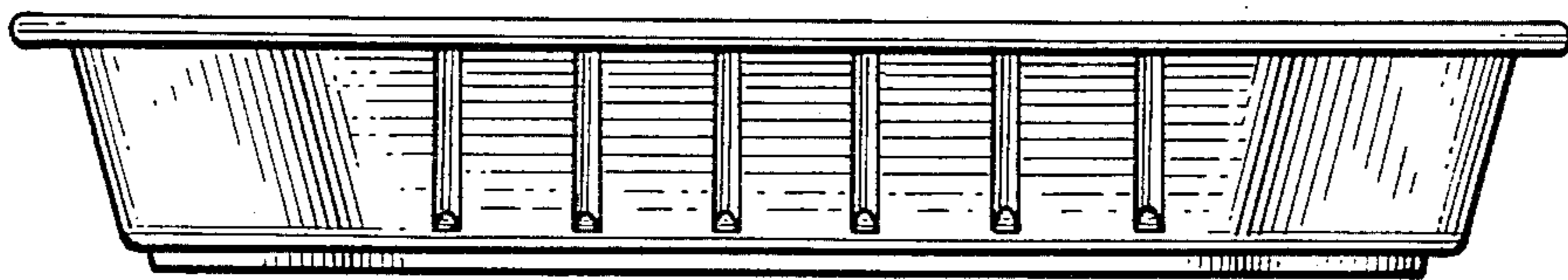


FIG. 3

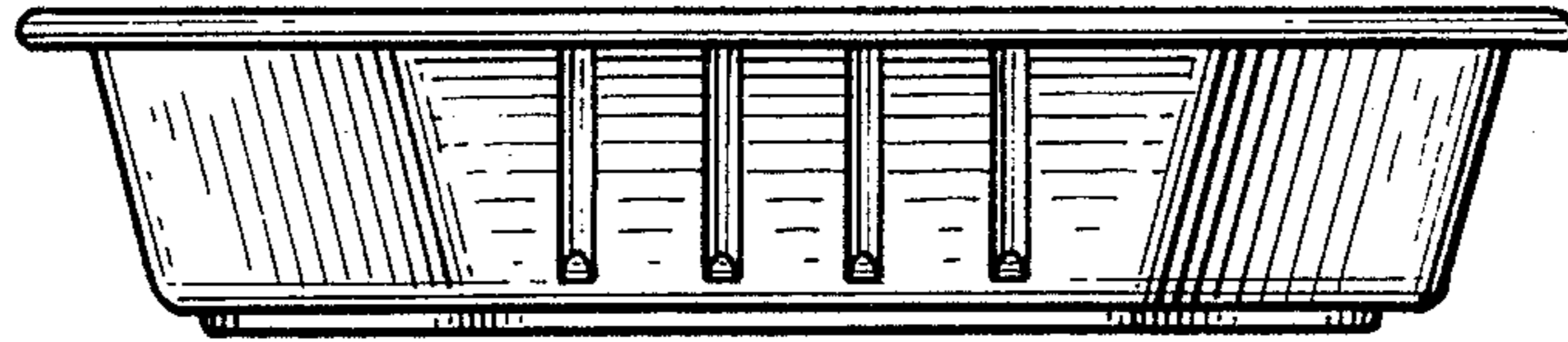


FIG. 4

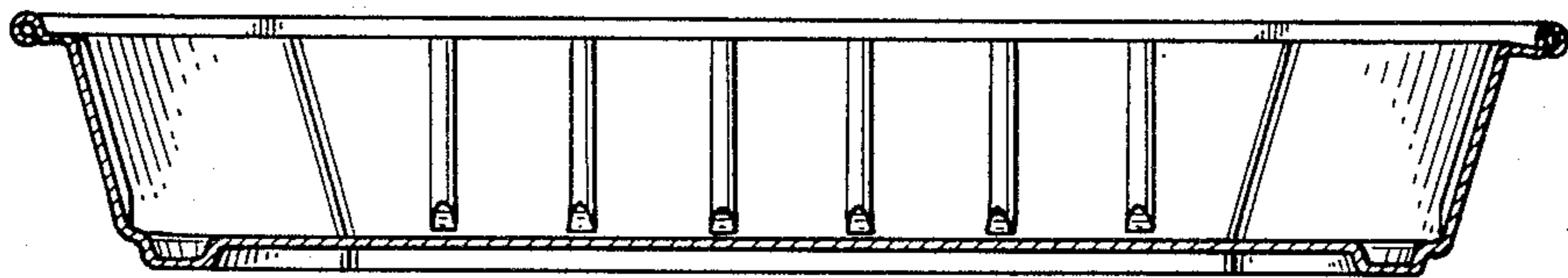


FIG. 6

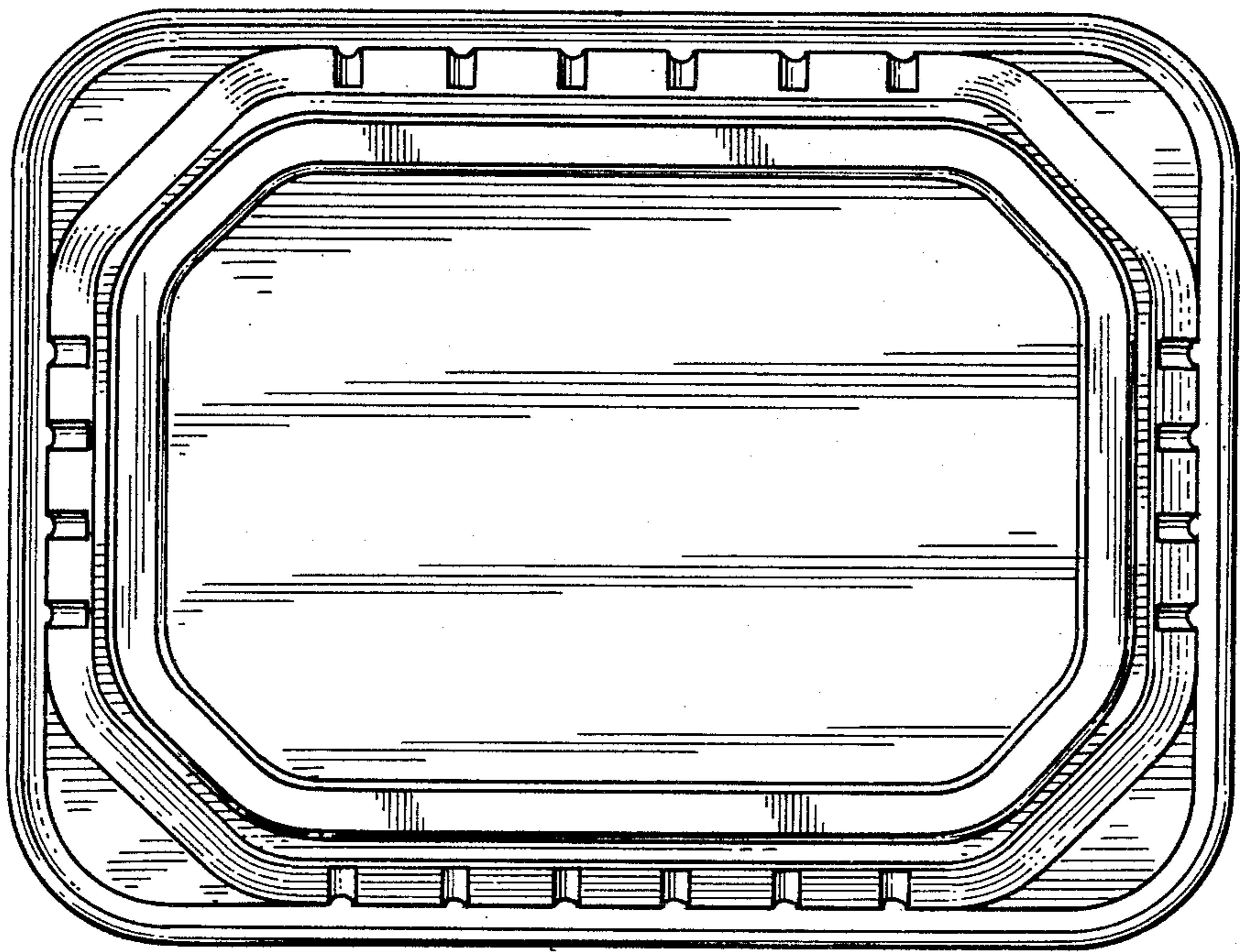


FIG. 5

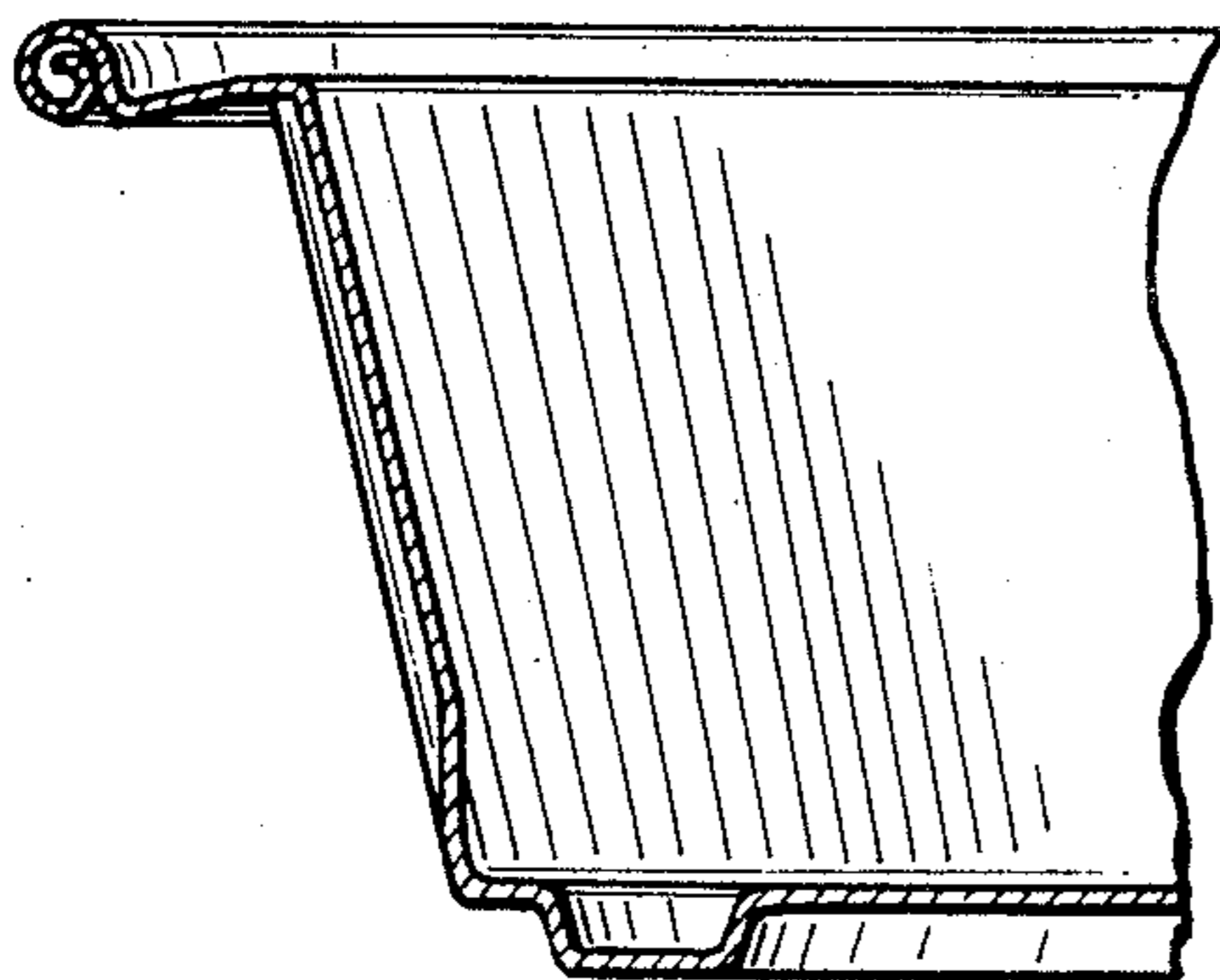


FIG. 7

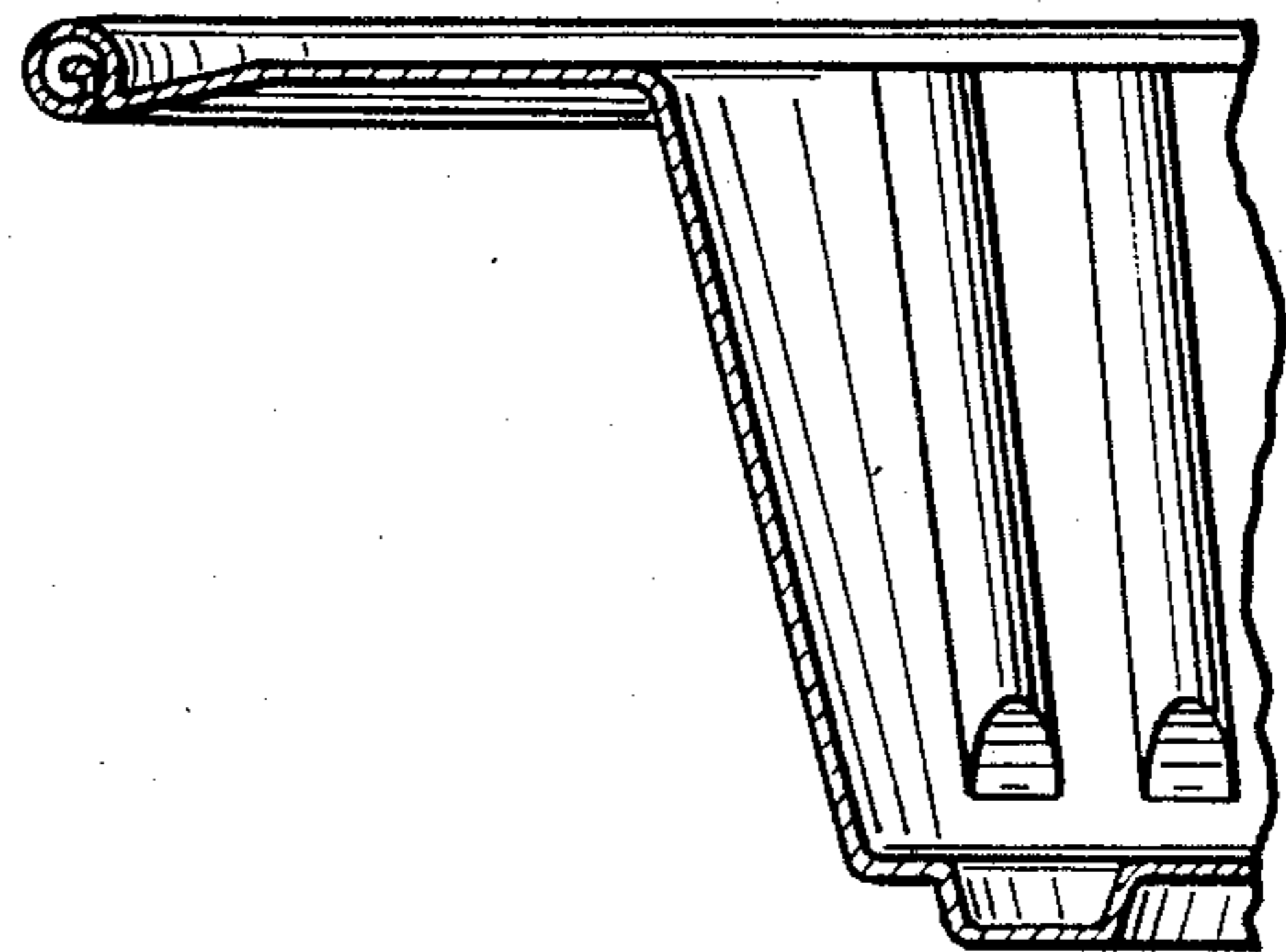


FIG. 8