

[54] DESK ATTACHABLE CUP HOLDER

[76] Inventors: Sheila Schulte, 16444 Cornuta, Apt. 6; Antonio DiMatteo, 16310 Conuta, Apt. 125, both of, Bellflower, Calif. 90706

[**] Term: 14 Years

[21] Appl. No.: 627,213

[22] Filed: Jul. 2, 1984

[52] U.S. Cl. D7/70; D3/40

[58] Field of Search D3/40; D6/491, 509, D6/510; D7/70, 71; 211/74, 75; 248/97, 146, 214, 222.4, 225.3 A; 297/188

[56] References Cited

U.S. PATENT DOCUMENTS

- D. 226,623 4/1973 Shuford D7/70
- D. 244,302 5/1977 Bradley D7/70 X
- D. 255,635 7/1980 Valmassei D7/70

- D. 265,351 7/1982 Wooters D3/40
- D. 271,073 10/1983 Field D7/70
- D. 279,836 7/1985 Tanaka D3/40
- D. 282,489 2/1986 Huber D7/70 X
- 3,338,628 8/1967 Evans 297/188

Primary Examiner—Bruce W. Dunkins
Attorney, Agent, or Firm—Fulwider, Patton, Rieber, Lee and Utecht

[57] CLAIM

The ornamental design for a desk attachable cup holder, substantially as shown and described.

DESCRIPTION

FIG. 1 is a perspective view of a desk attachable cup holder showing our new design; FIG. 2 is a side elevational view, the opposite side being a mirror image thereof; FIG. 3 is a front elevational view; FIG. 4 is a rear elevational view; FIG. 5 is a top plan view; and FIG. 6 is a bottom plan view thereof.

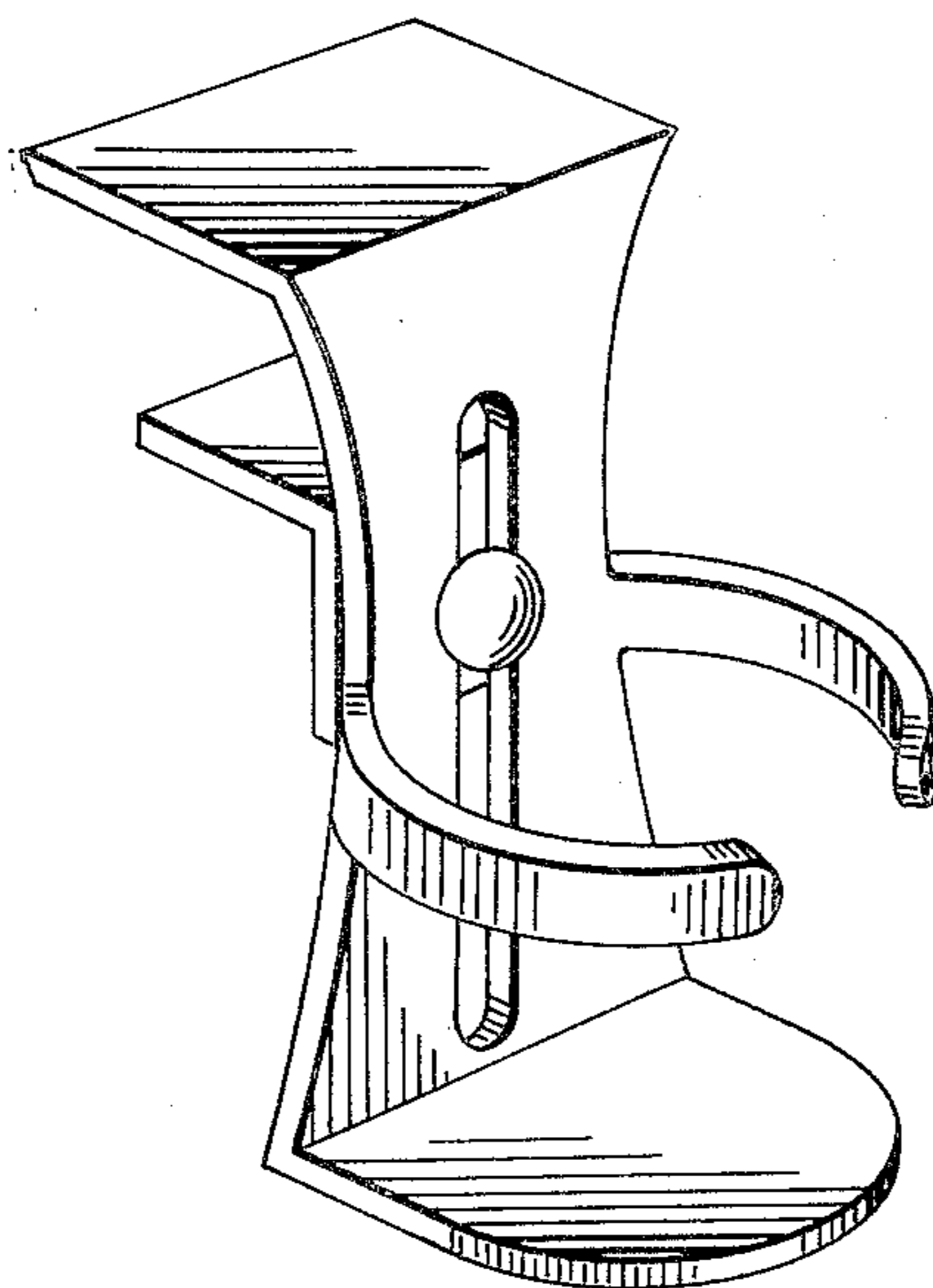


FIG. 1

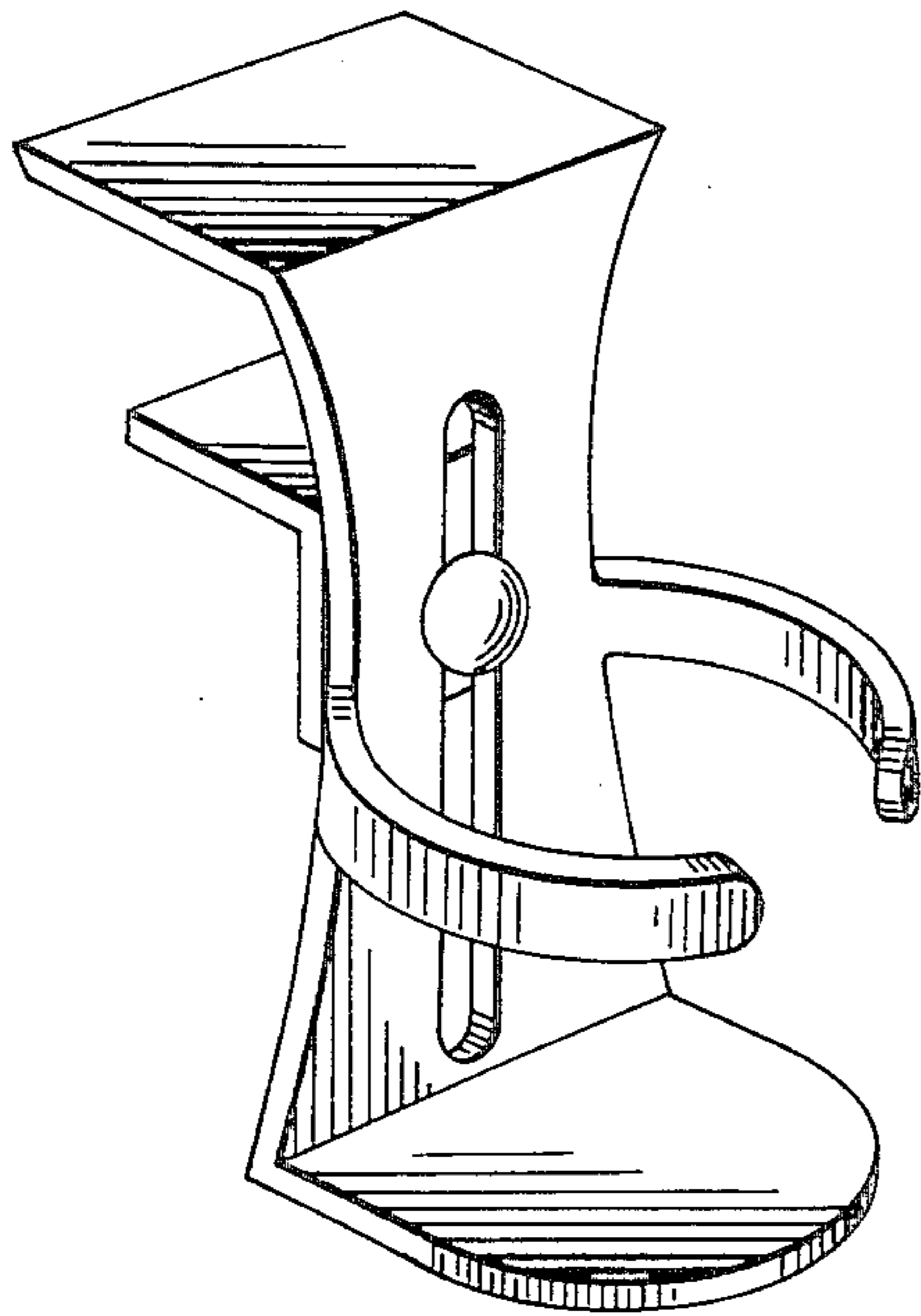


FIG. 2

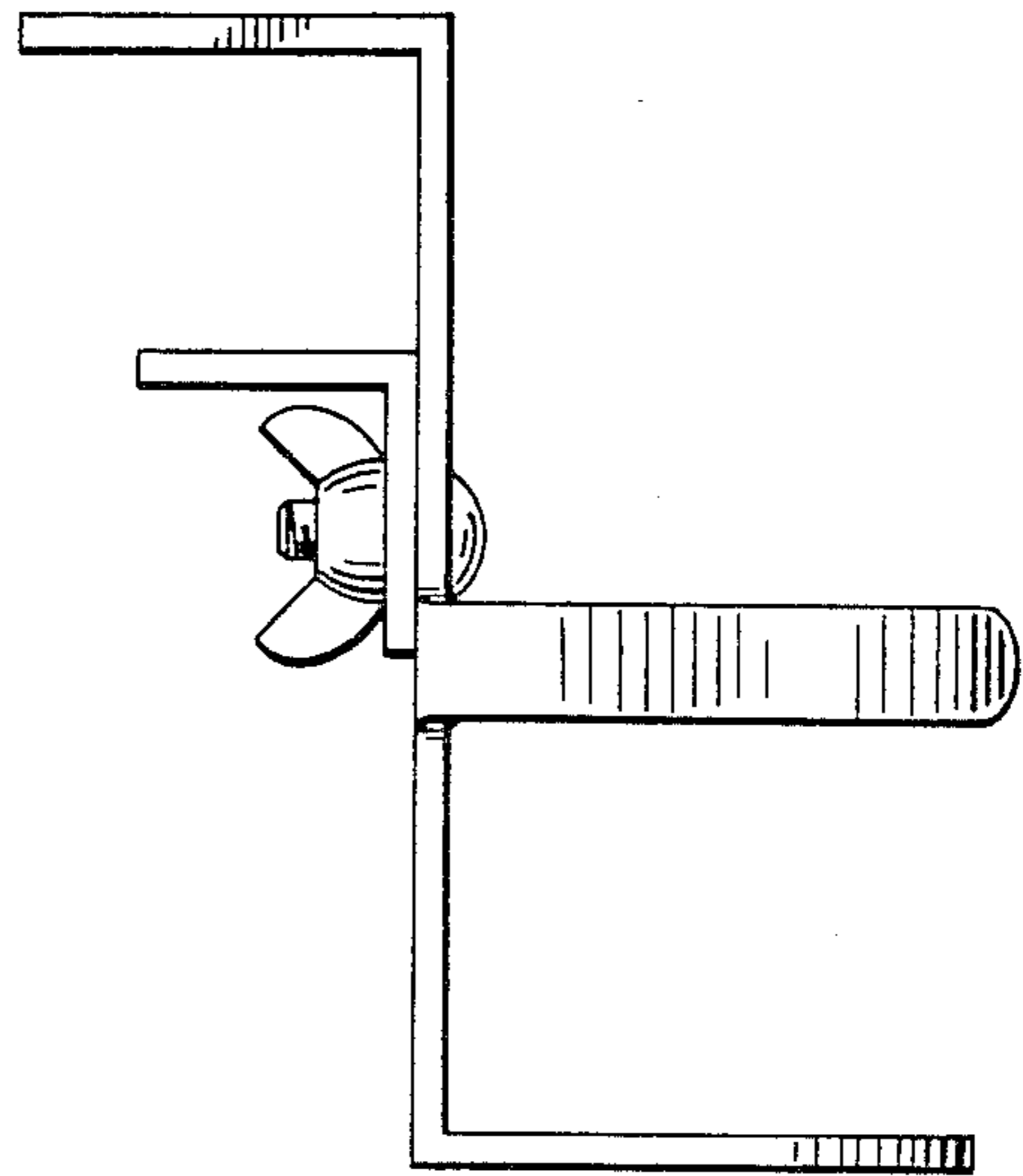


FIG. 3

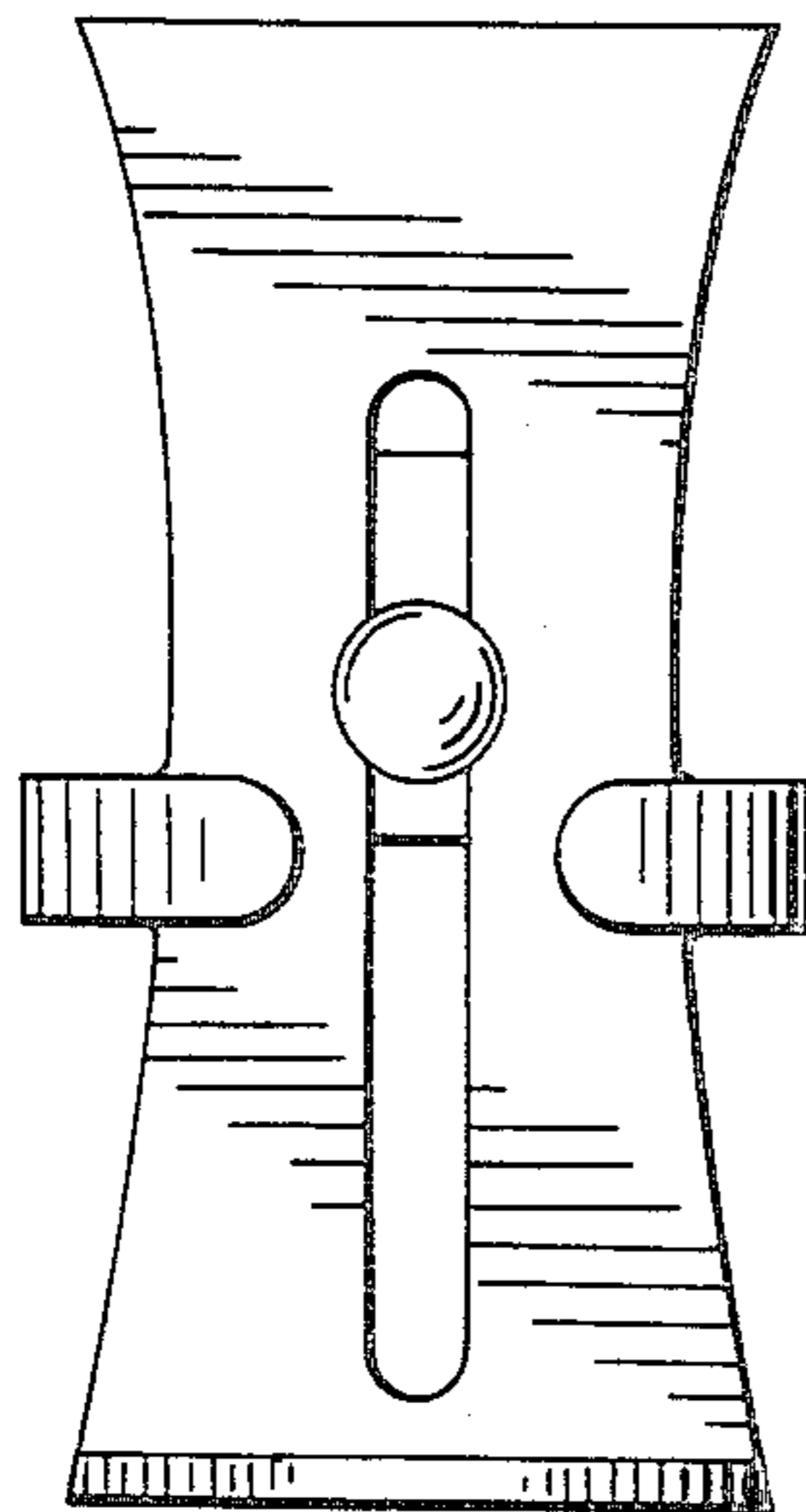


FIG. 4

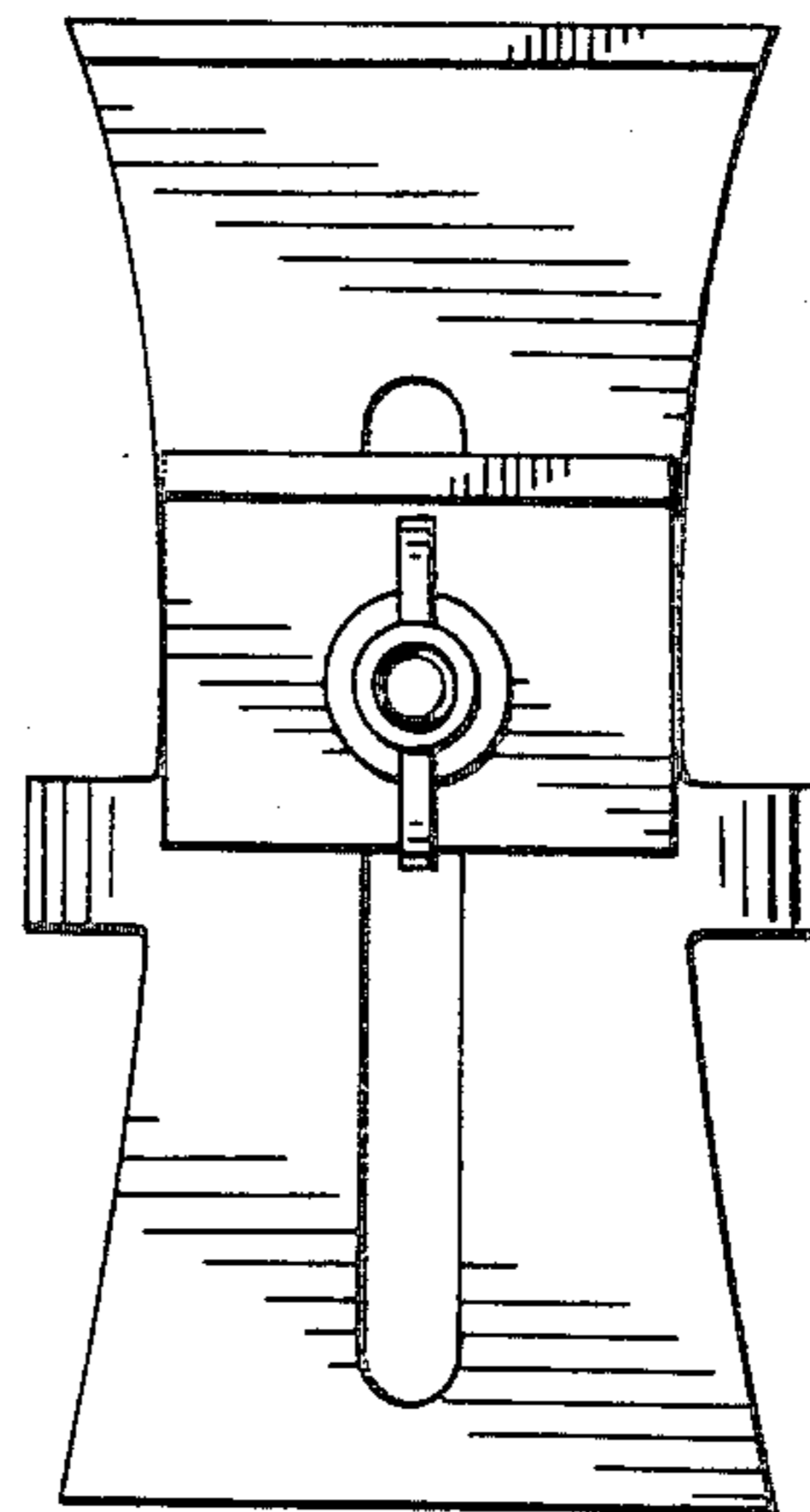


FIG. 5

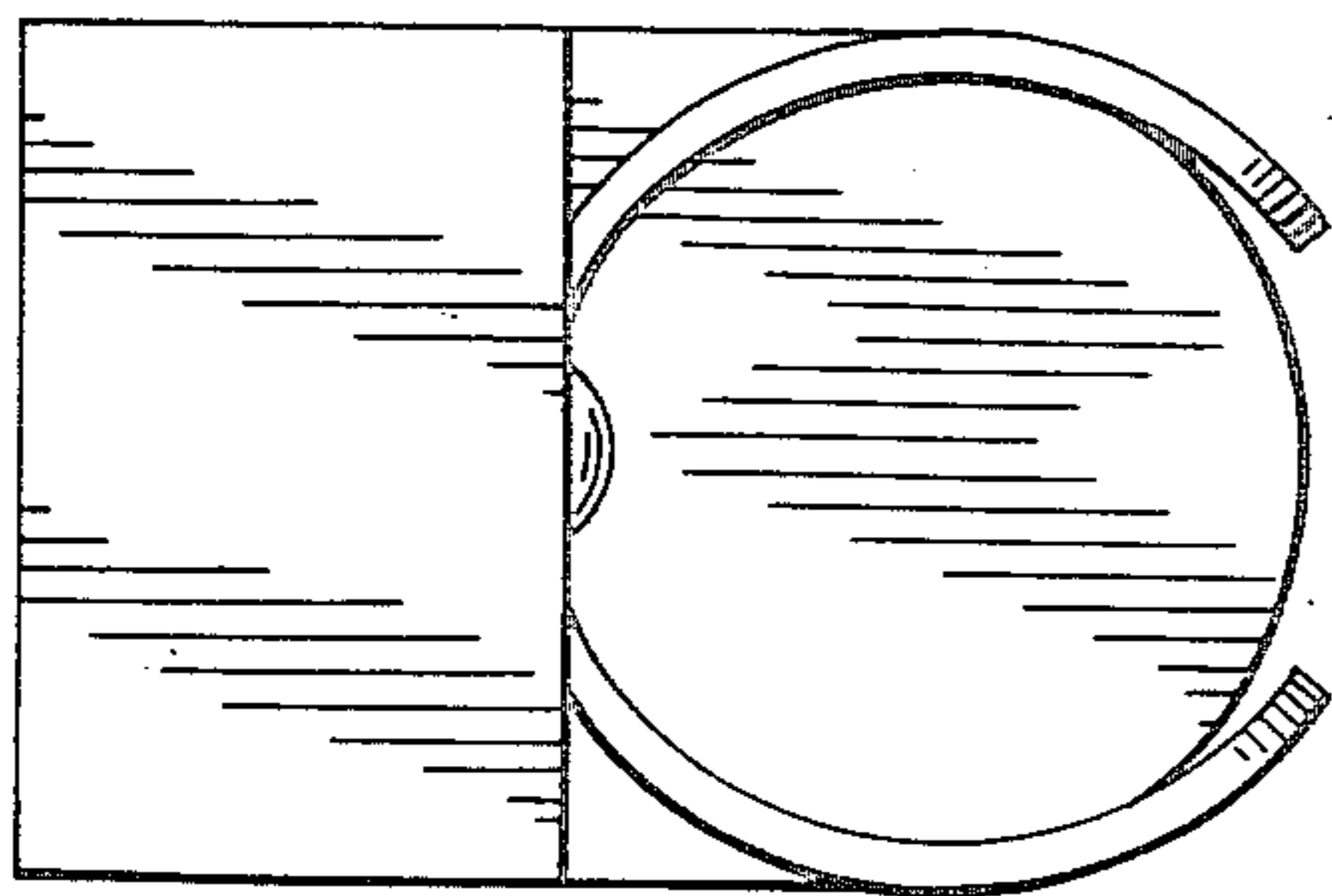


FIG. 6

