

[54] **DISPLAY TRAY**

[75] **Inventor: Pierre LeBlanc, Weston, Canada**

[73] **Assignee: Pierre LeBlanc Consulting Services, Ltd., Mississauga, Canada**

[**] **Term: 14 Years**

[21] **Appl. No.: 596,316**

[22] **Filed: Apr. 3, 1984**

[52] **U.S. Cl. D6/468; D6/469; D6/474; D9/341; D19/75**

[58] **Field of Search D6/474, 449, 475, 476, D6/468-469, 467; D7/38; D19/75, 79; D34/40, 46; D9/341; 211/13**

[56] **References Cited**

U.S. PATENT DOCUMENTS

- D. 157,024 1/1950 Bacco et al. D6/468
- D. 206,562 12/1966 Le Bedeff D6/468

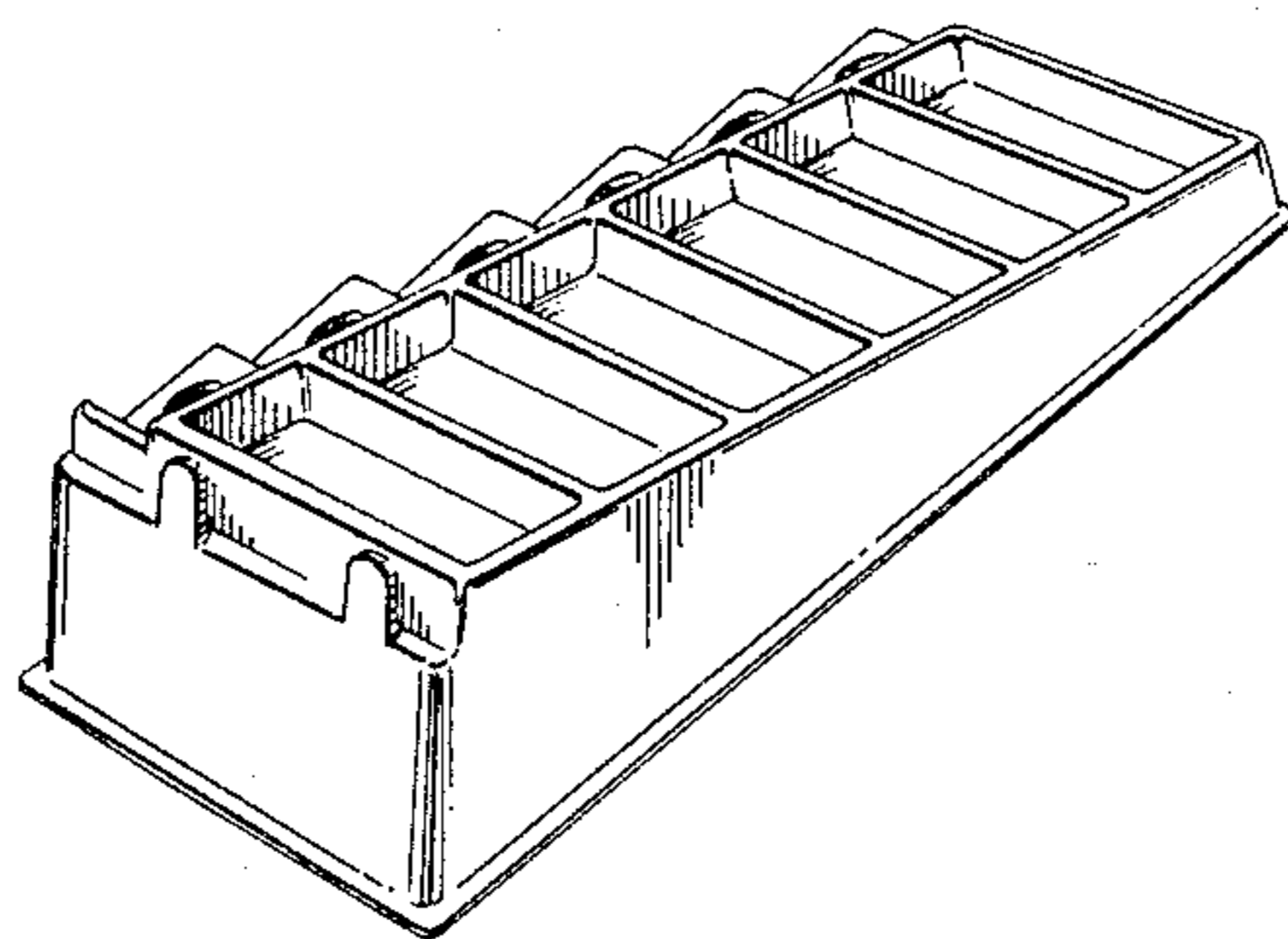
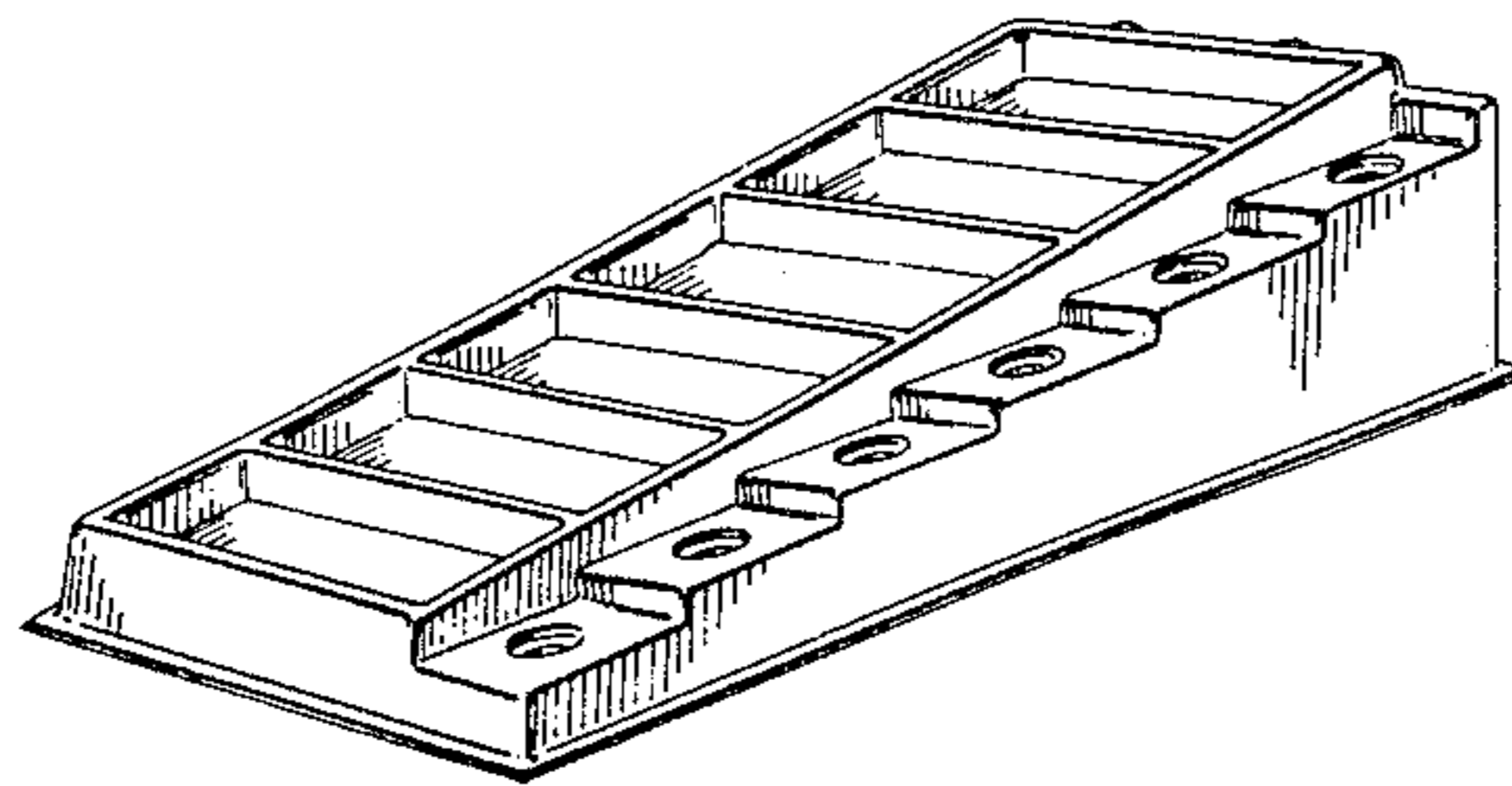
Primary Examiner—Carmen H. Vales

[57] **CLAIM**

The ornamental design for a display tray, as shown and described.

DESCRIPTION

FIG. 1 is a front perspective view of a display tray showing my new design; and FIG. 2 is a rear perspective view thereof.



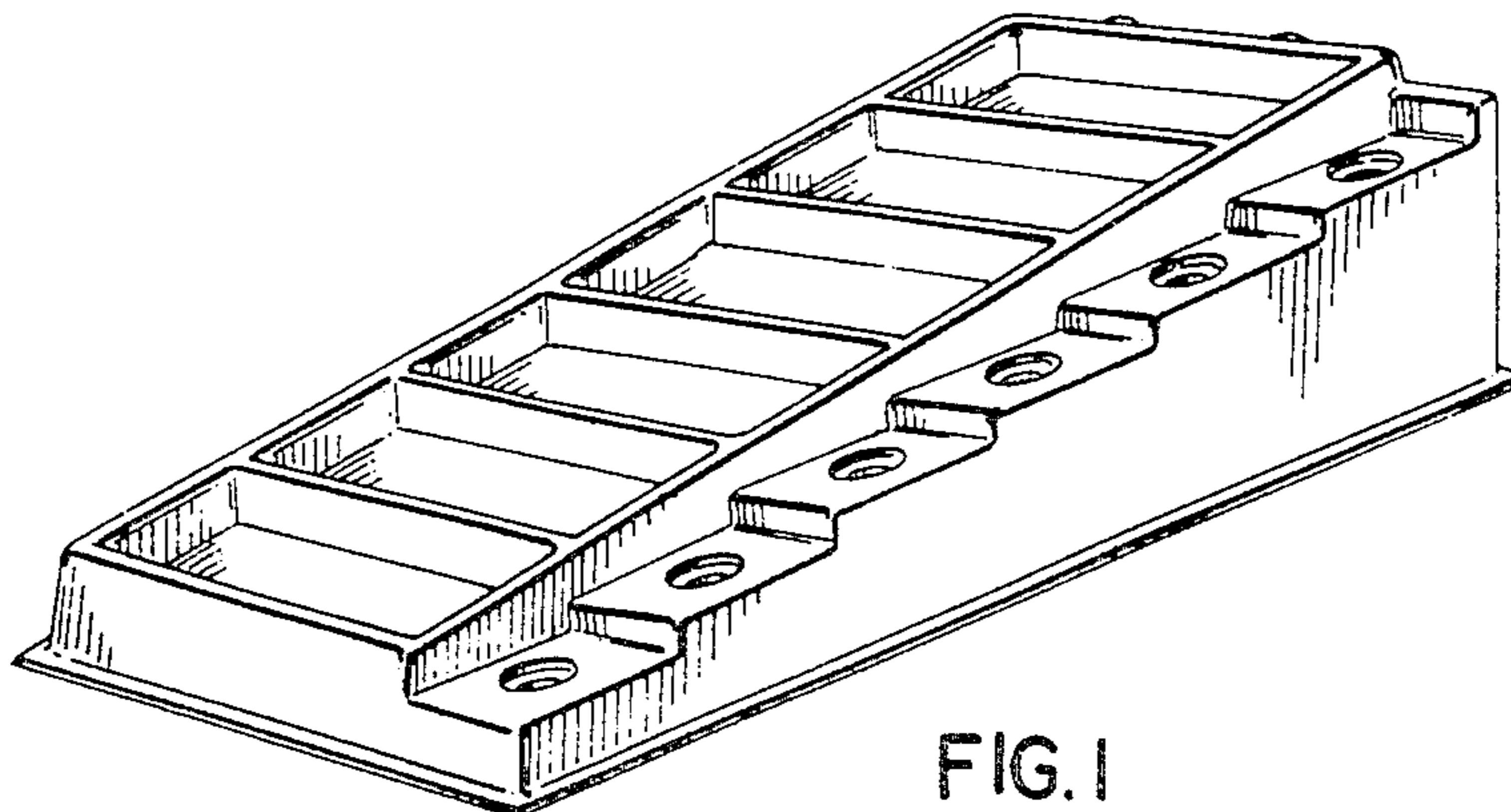


FIG. 1

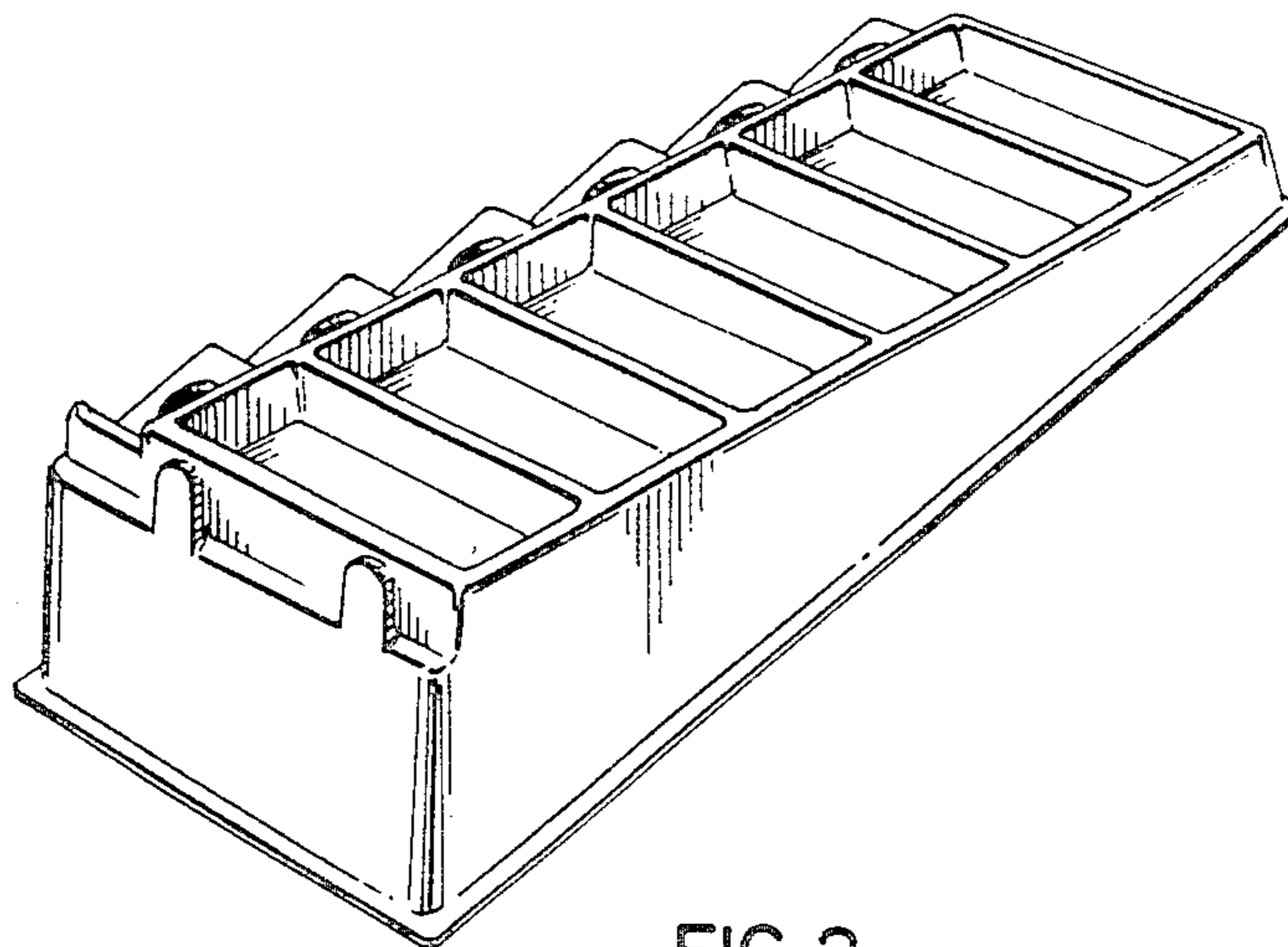


FIG. 2