

[54] **CHAIR FOR USE BY A BEAUTICIAN**

[76] **Inventor: Henry Orenstein, 136 Lakeside Ave., Verona, N.J. 07044**

[**] **Term: 14 Years**

[21] **Appl. No.: 564,697**

[22] **Filed: Dec. 23, 1983**

[52] **U.S. Cl. D6/335; D6/360; D6/361**

[58] **Field of Search D6/334, 335, 336, 338, D6/360, 361, 364, 365, 366**

[56] **References Cited**

U.S. PATENT DOCUMENTS

D. 224,188	7/1972	Leaver	D6/365
D. 261,951	11/1981	Ekelund	D6/365
D. 277,239	1/1985	White	D6/356

OTHER PUBLICATIONS

Harting Mfg. Co. Catalog, Mar. 15, 1962, p. 13, Drying Chair No. 225.

Design Catalog, Nov. 1981, p. 57, Chair top left.

Primary Examiner—Bruce W. Dunkins

Attorney, Agent, or Firm—George E. Kersey

[57] **CLAIM**

The ornamental design for a chair for use by a beautician, as shown and described.

DESCRIPTION

FIG. 1 is a perspective view of a chair for use by a beautician embodying the design;

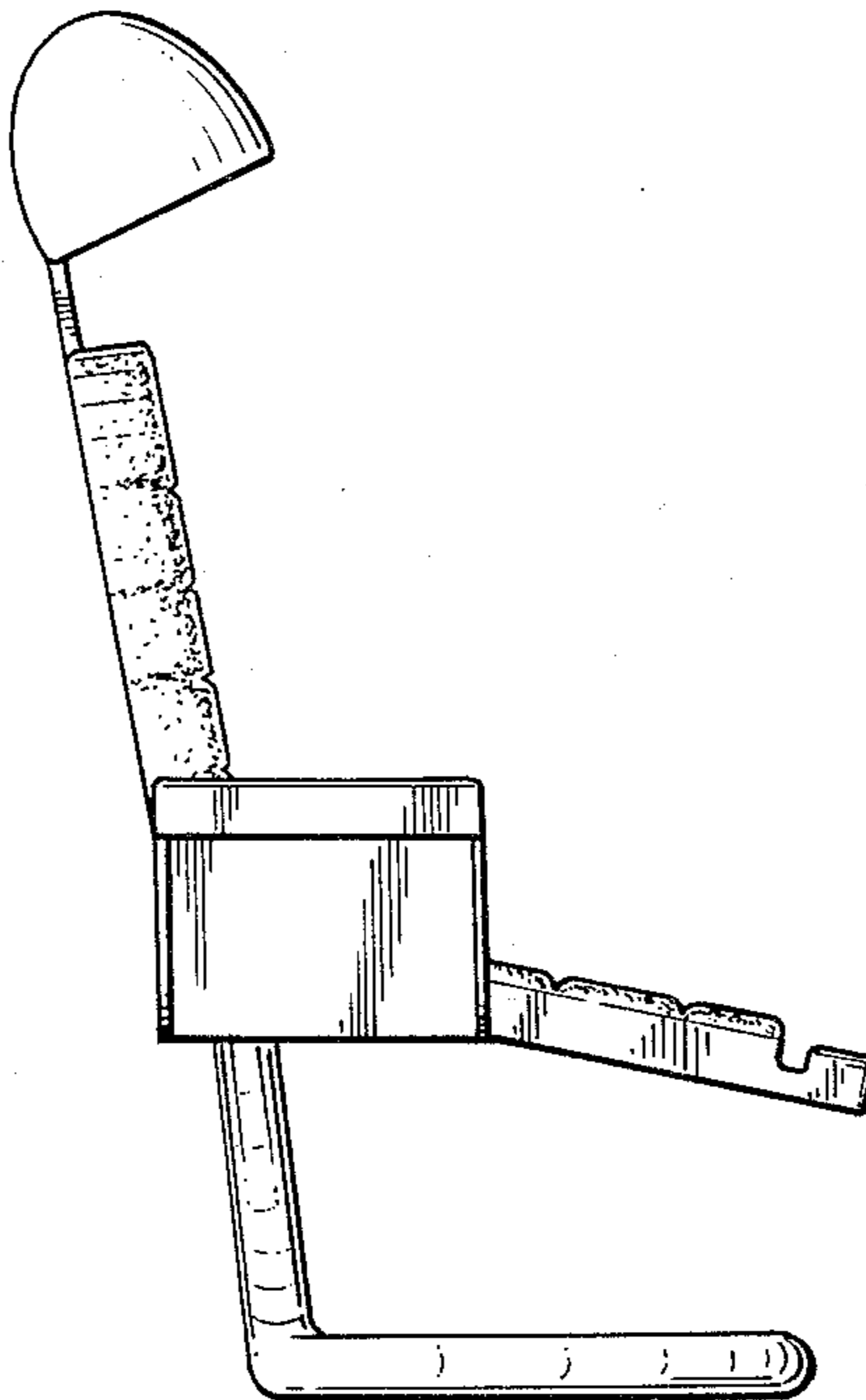
FIG. 2 is a plan view of a chair for use by a beautician;

FIG. 3 is a side elevational view, the opposite side being a mirror image thereof;

FIG. 4 is a front view of the chair for use by a beautician;

FIG. 5 is a rear view of the chair for use by a beautician; and

FIG. 6 is a bottom view of the chair for use by a beautician.



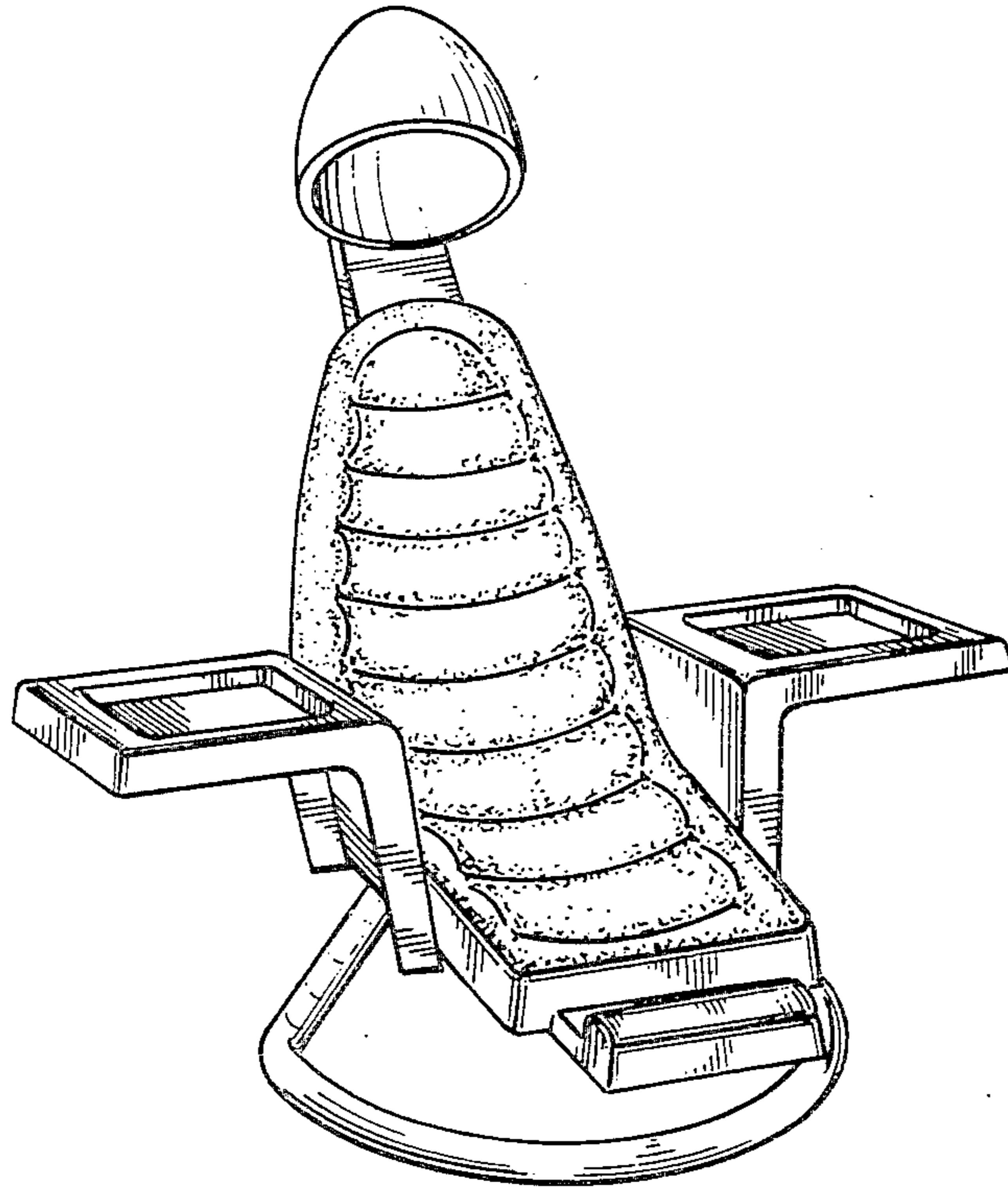


FIG. 1

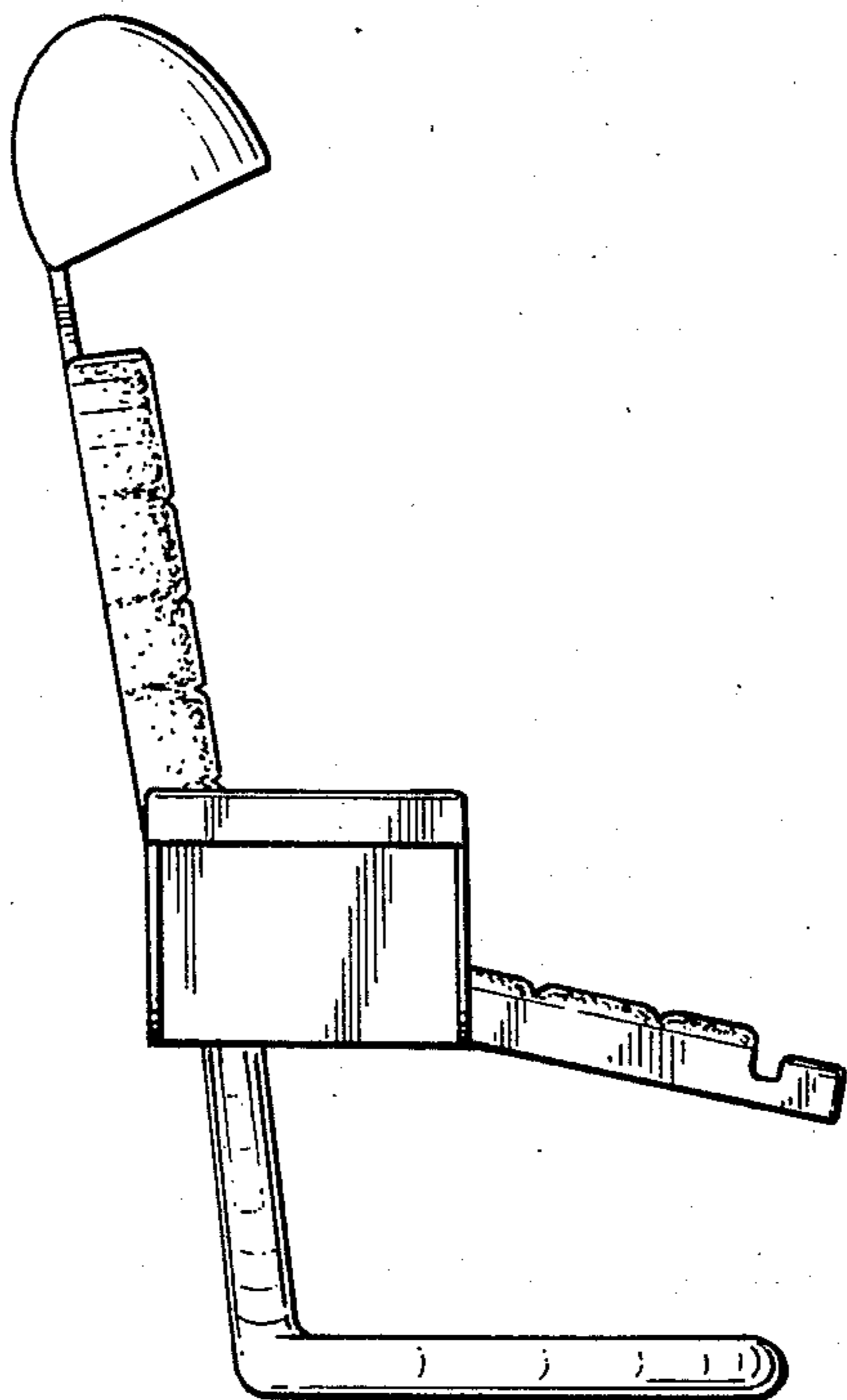


FIG. 3

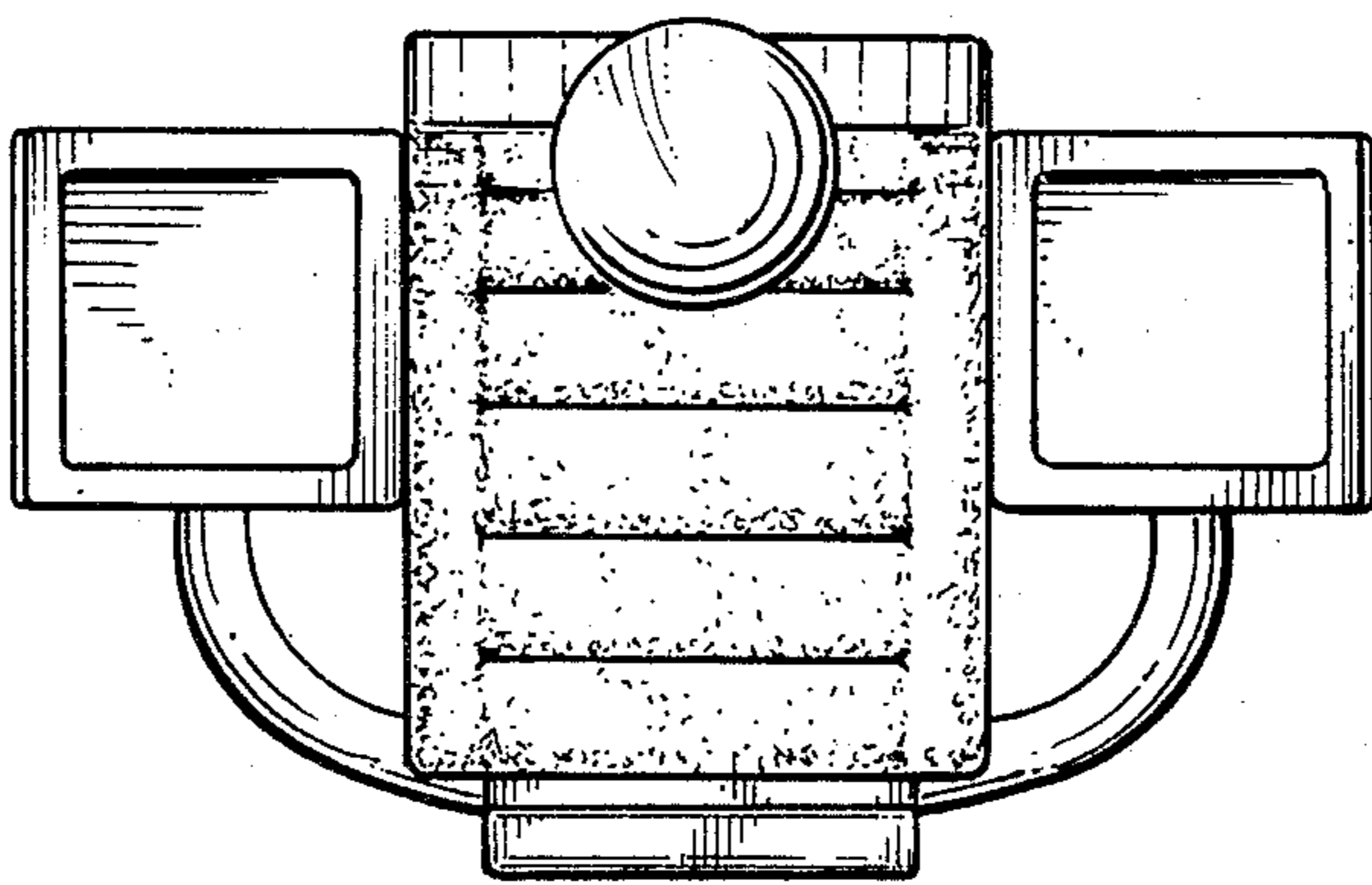


FIG. 2

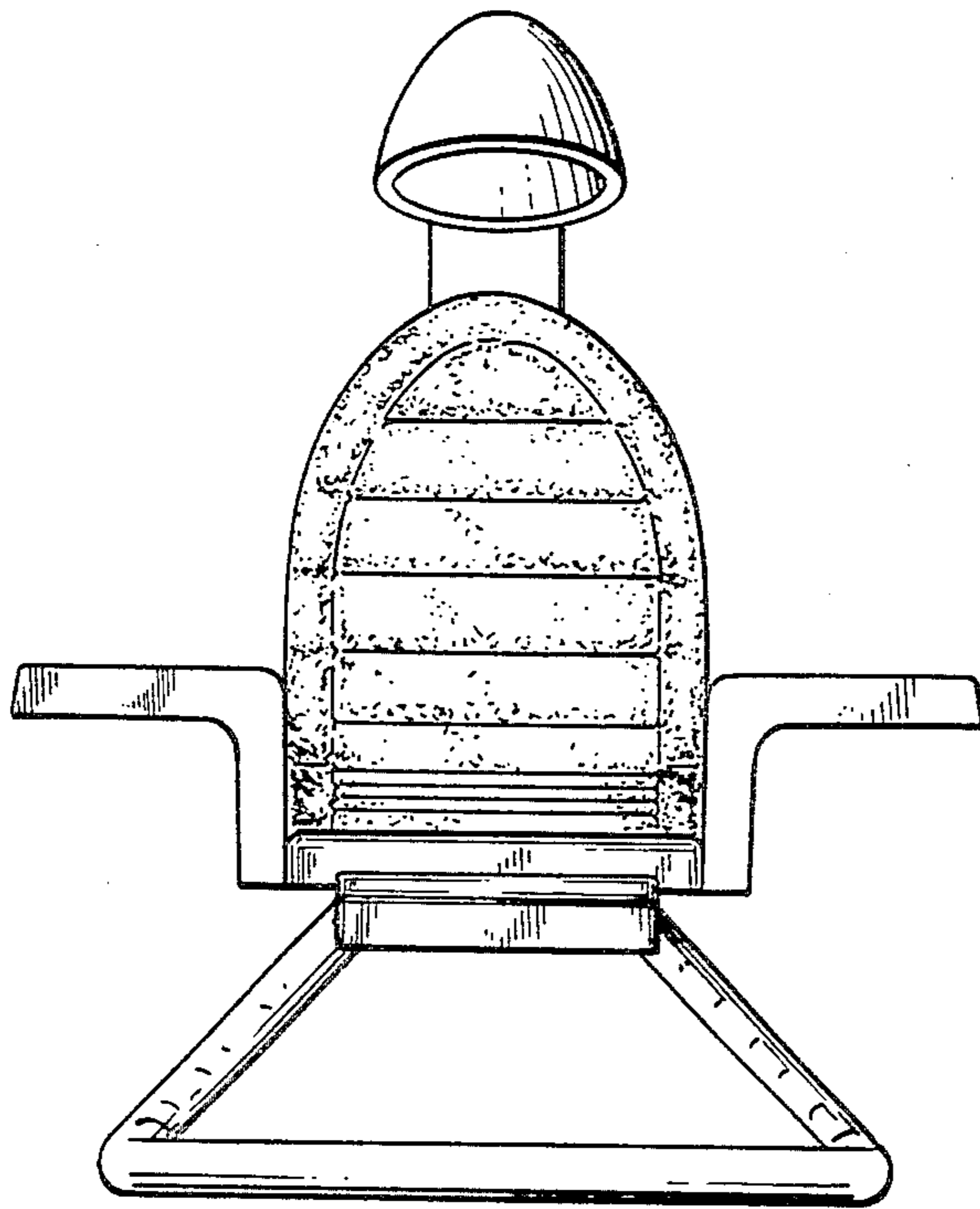


FIG. 4

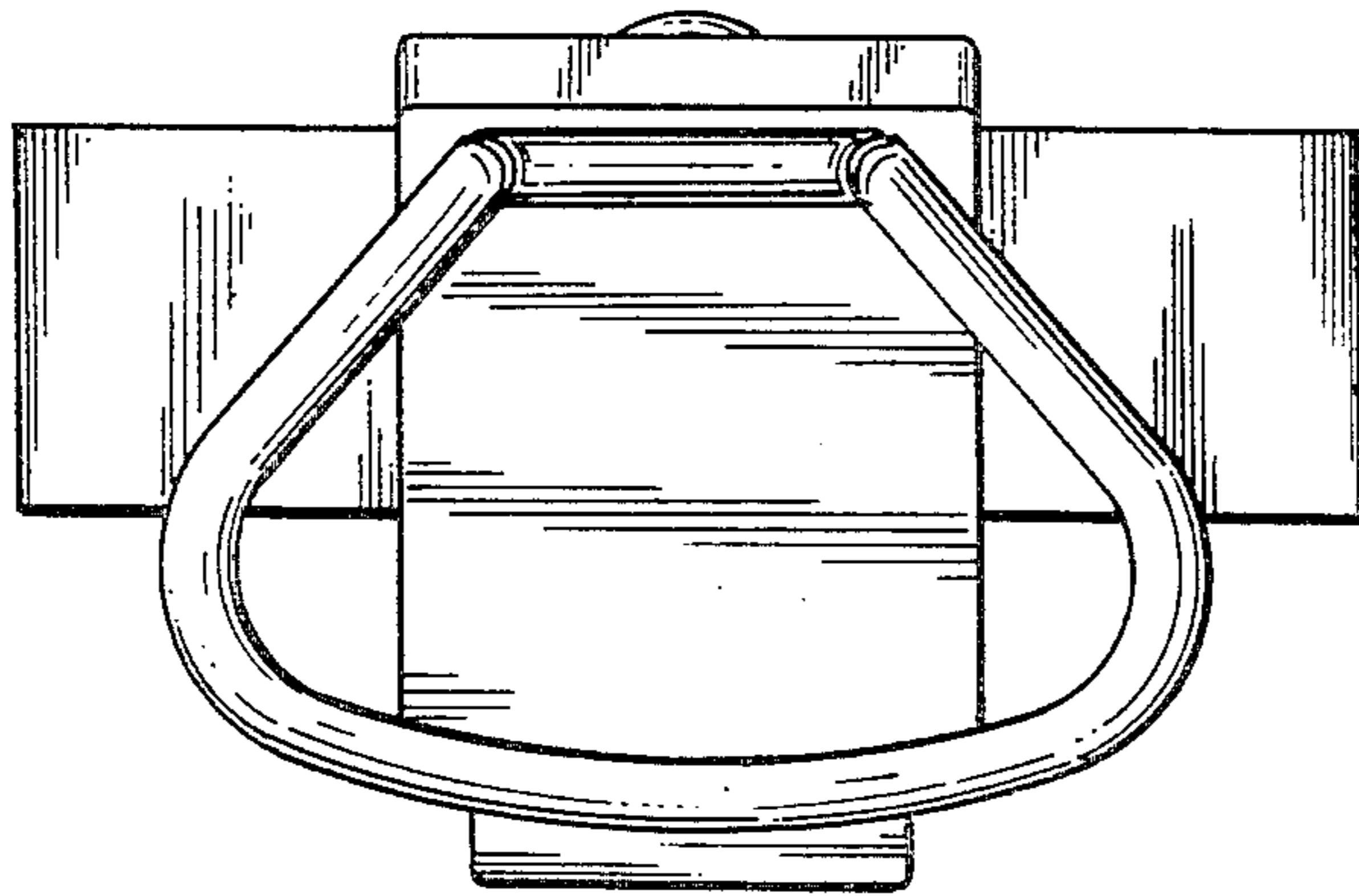


FIG. 6

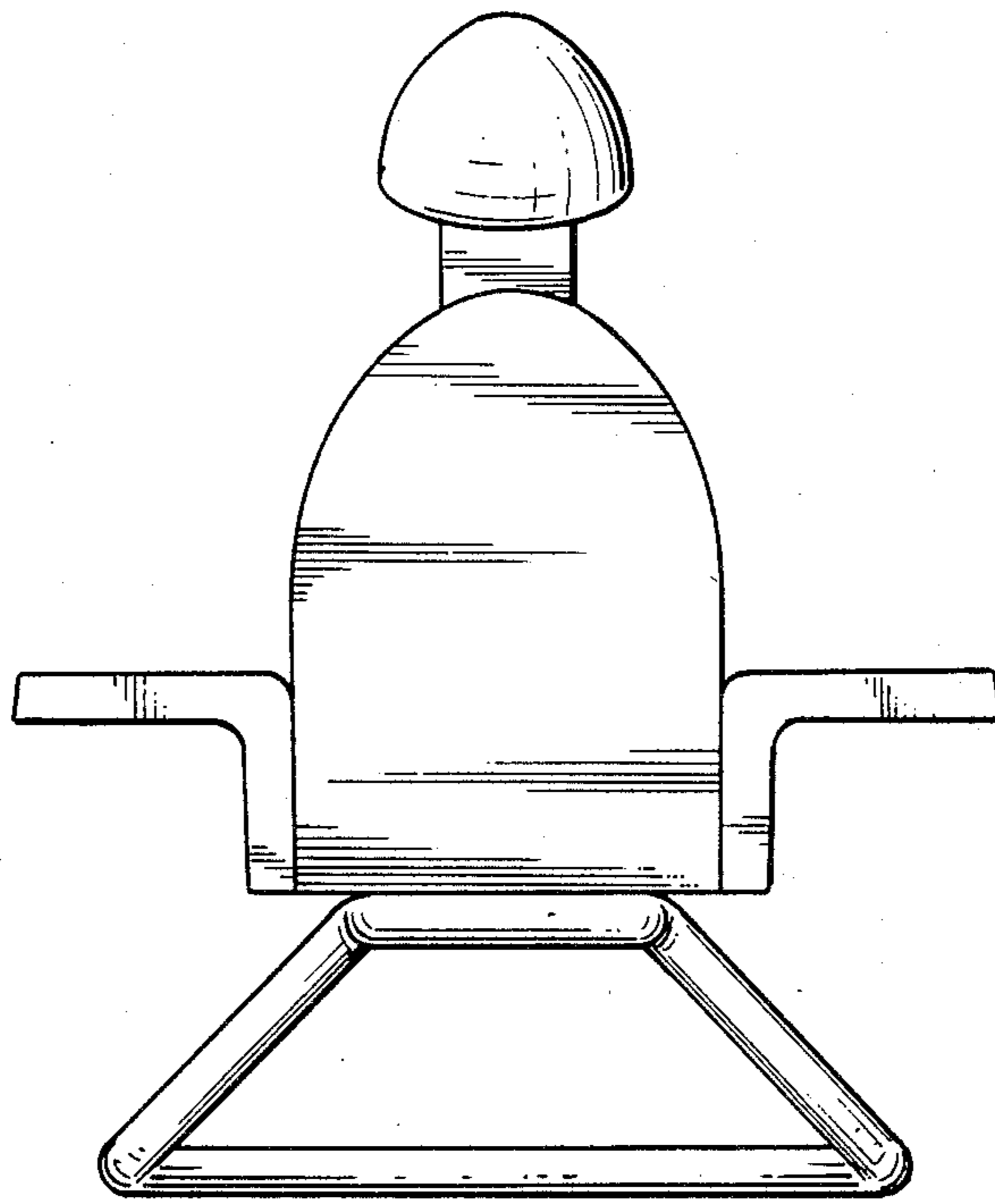


FIG. 5