

[54] CASSETTE STORAGE CONTAINER

[75] Inventors: Paul J. Gelardi, Cape Porpoise; Robert B. MacLeod, Jr., Biddeford, both of Me.

[73] Assignee: Shape Inc., Biddeford, Me.

[**] Term: 14 Years

[21] Appl. No.: 618,235

[22] Filed: Jun. 7, 1984

[52] U.S. Cl. D3/35; D3/78

[58] Field of Search D3/33, 35, 30.1, 51, D3/74, 78; D9/418, 432; 229/33; 220/324, 337-339; 206/387

[56] References Cited

U.S. PATENT DOCUMENTS

D. 283,104 3/1986 Bigando D3/35

3,272,325	9/1966	Schoenmakers	D3/35
4,368,817	1/1983	Temesvary	220/337
4,457,428	7/1984	Saito	206/387

Primary Examiner—George P. Word
Attorney, Agent, or Firm—Staas & Halsey

[57] CLAIM

The ornamental design for a cassette storage container, substantially as shown and described.

DESCRIPTION

FIG. 1 is a top plan view of a cassette storage container showing our new design; FIG. 2 is a front elevational view thereof; FIG. 3 is a rear elevational view thereof; FIG. 4 is a left side elevational view thereof; FIG. 5 is a bottom plan view thereof; and FIG. 6 is a perspective view of the cassette storage container in the open position.

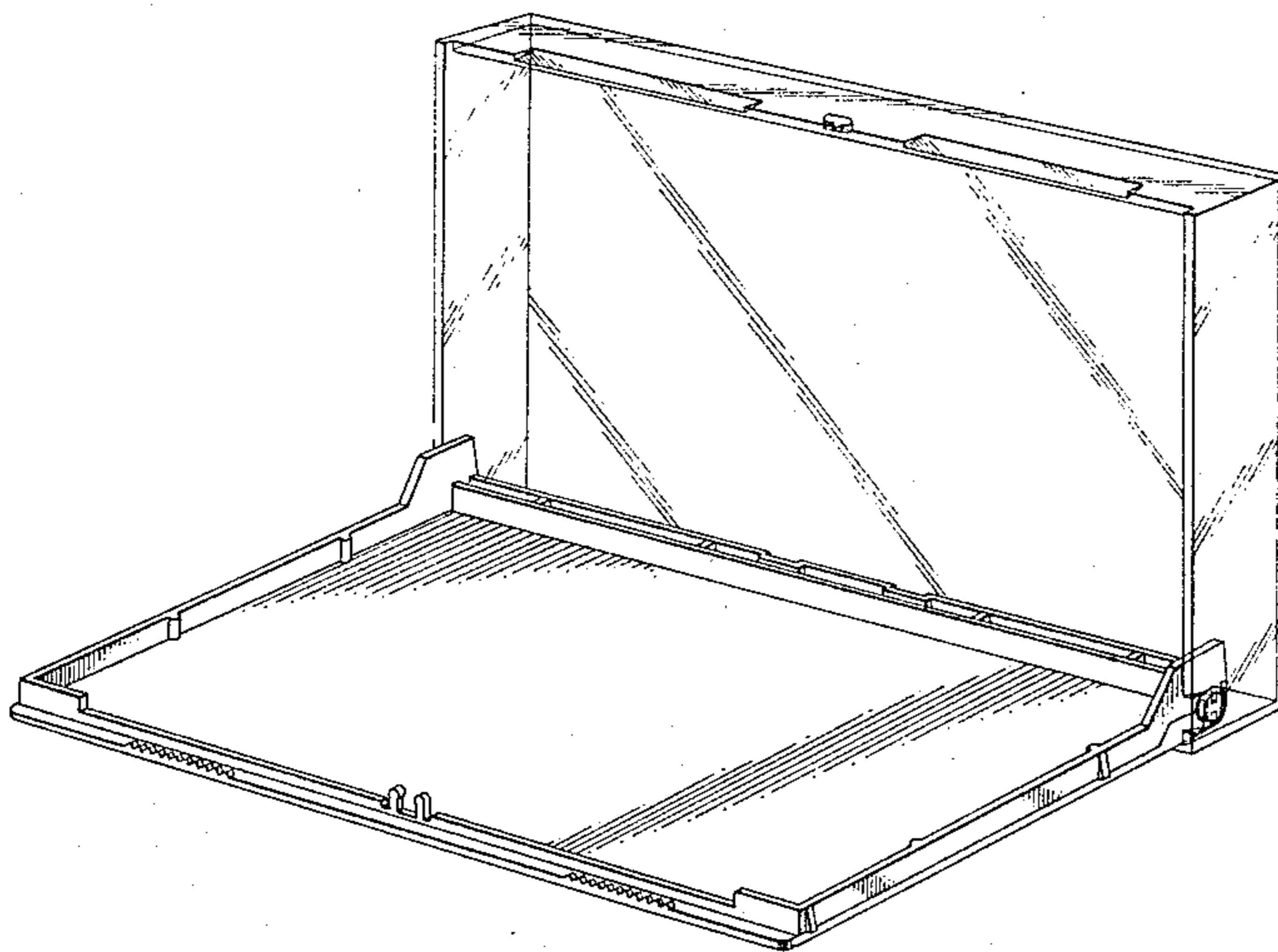
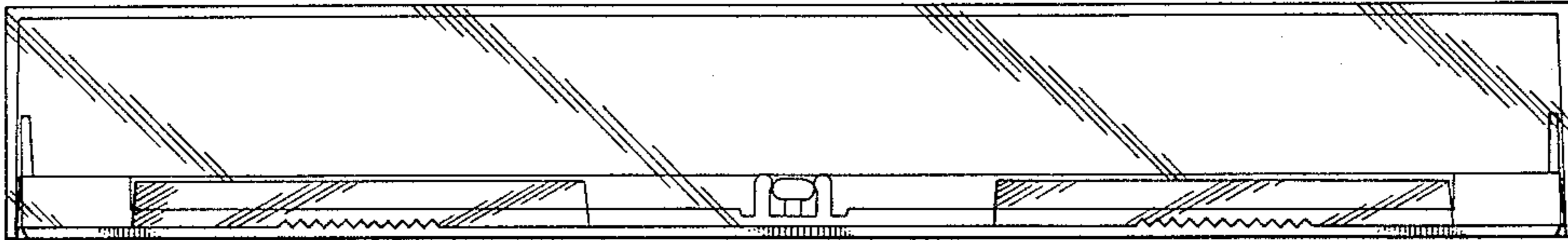


FIG. 1.

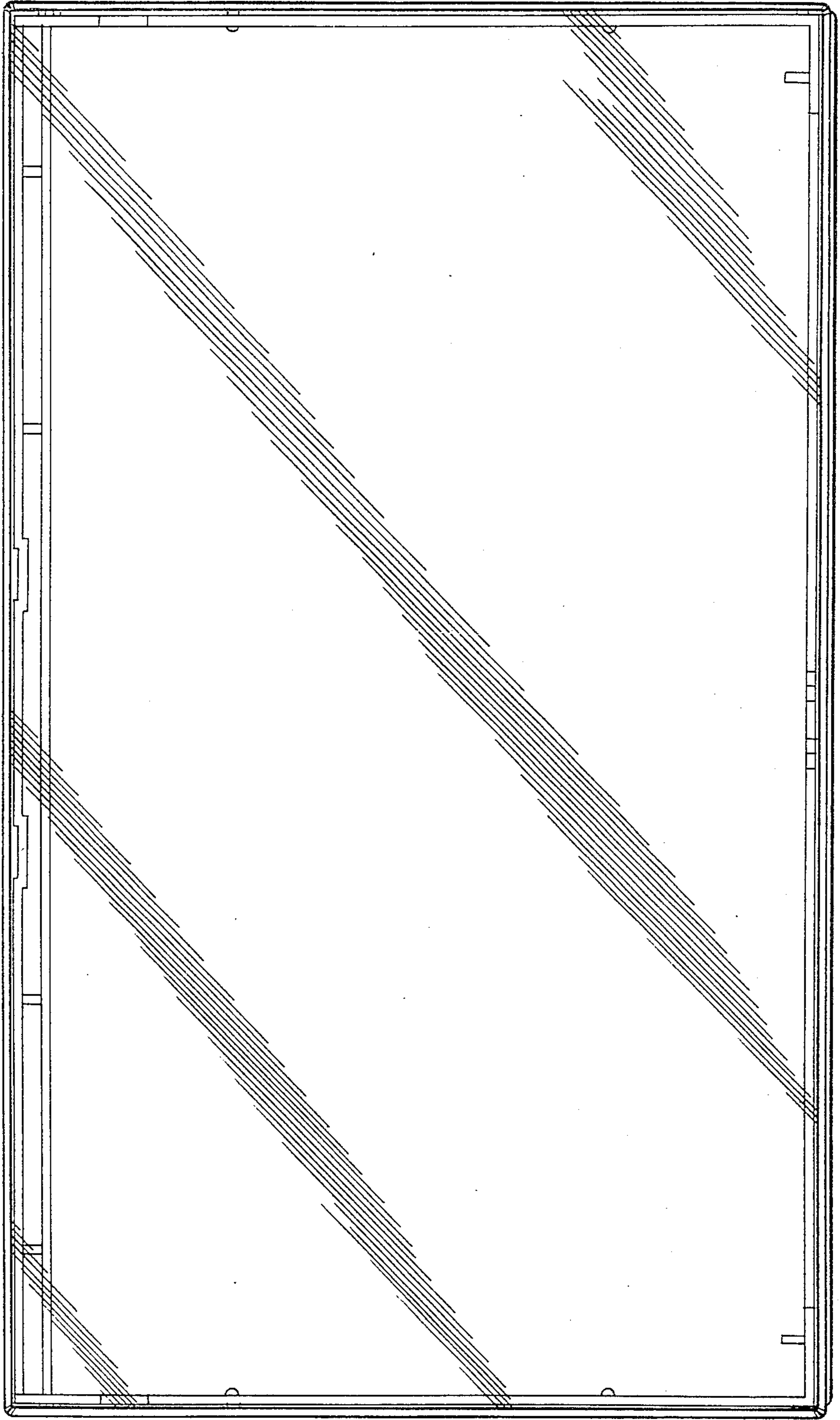


FIG. 2.

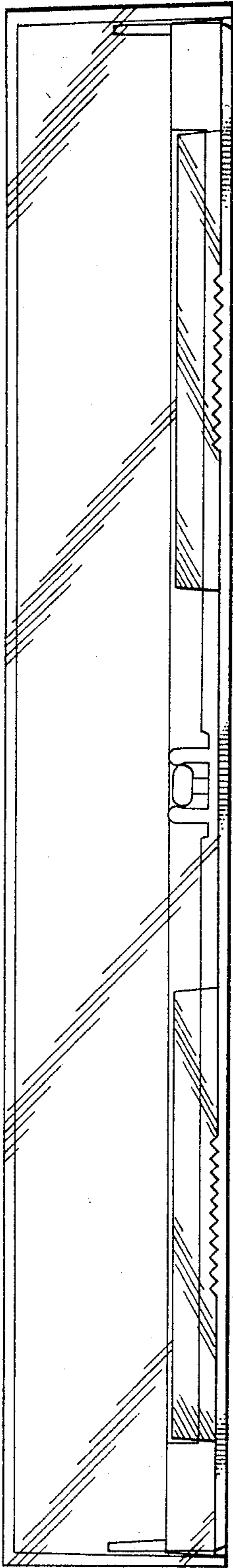


FIG. 3.

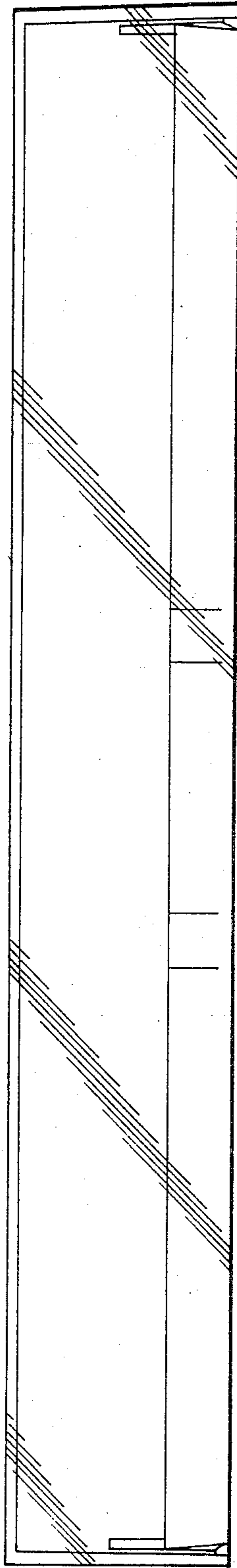


FIG. 4.

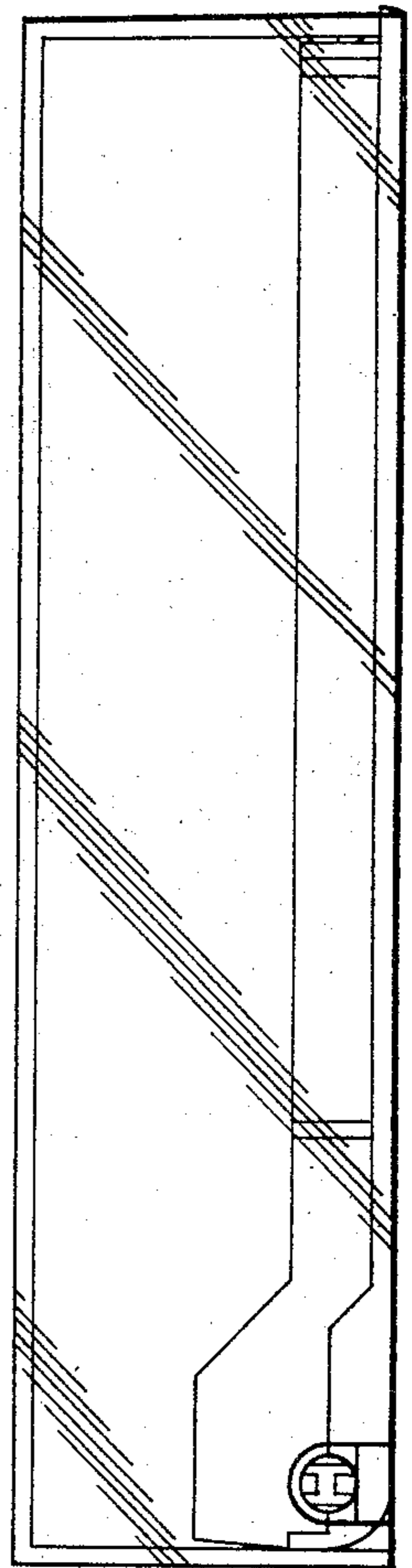
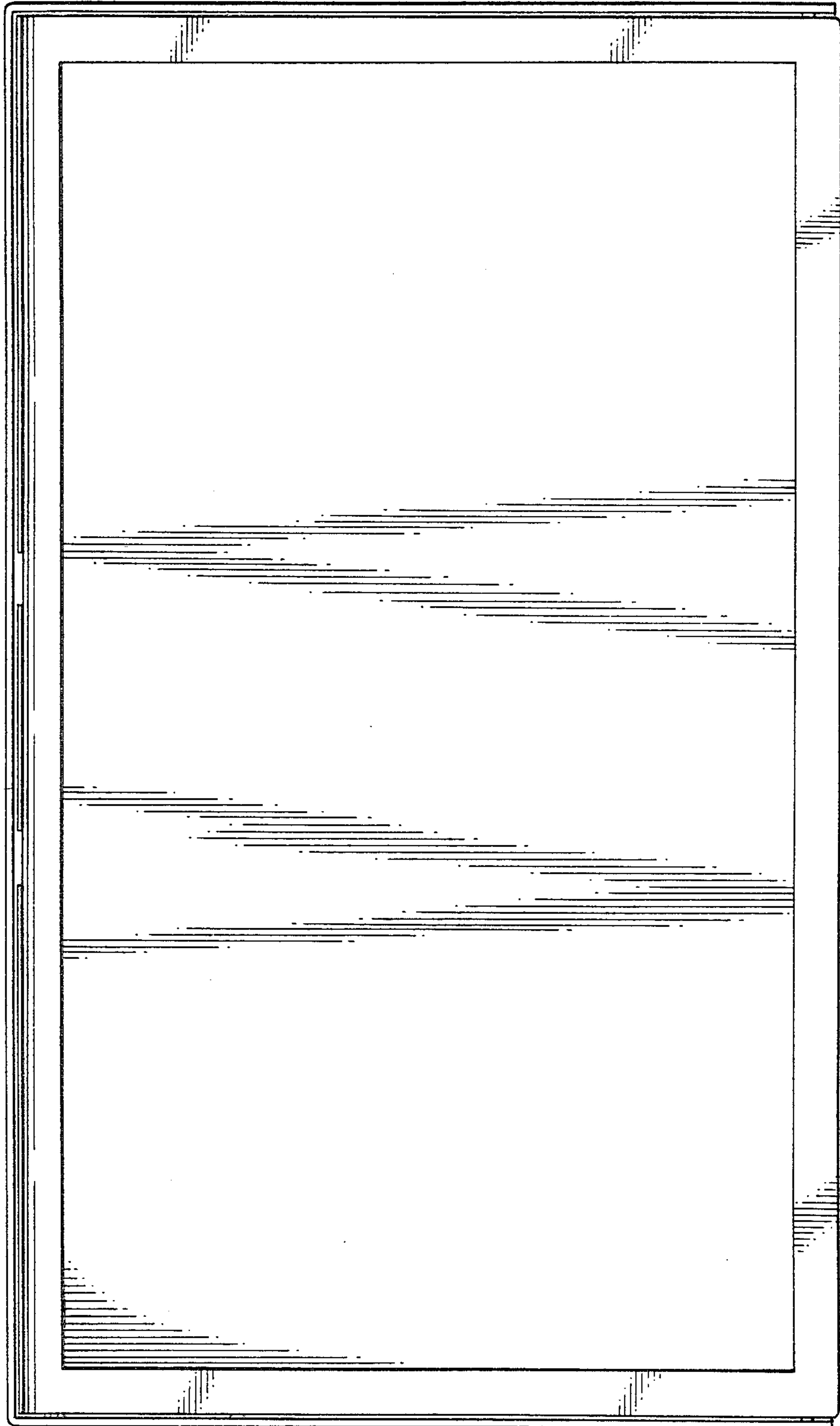


FIG. 5.



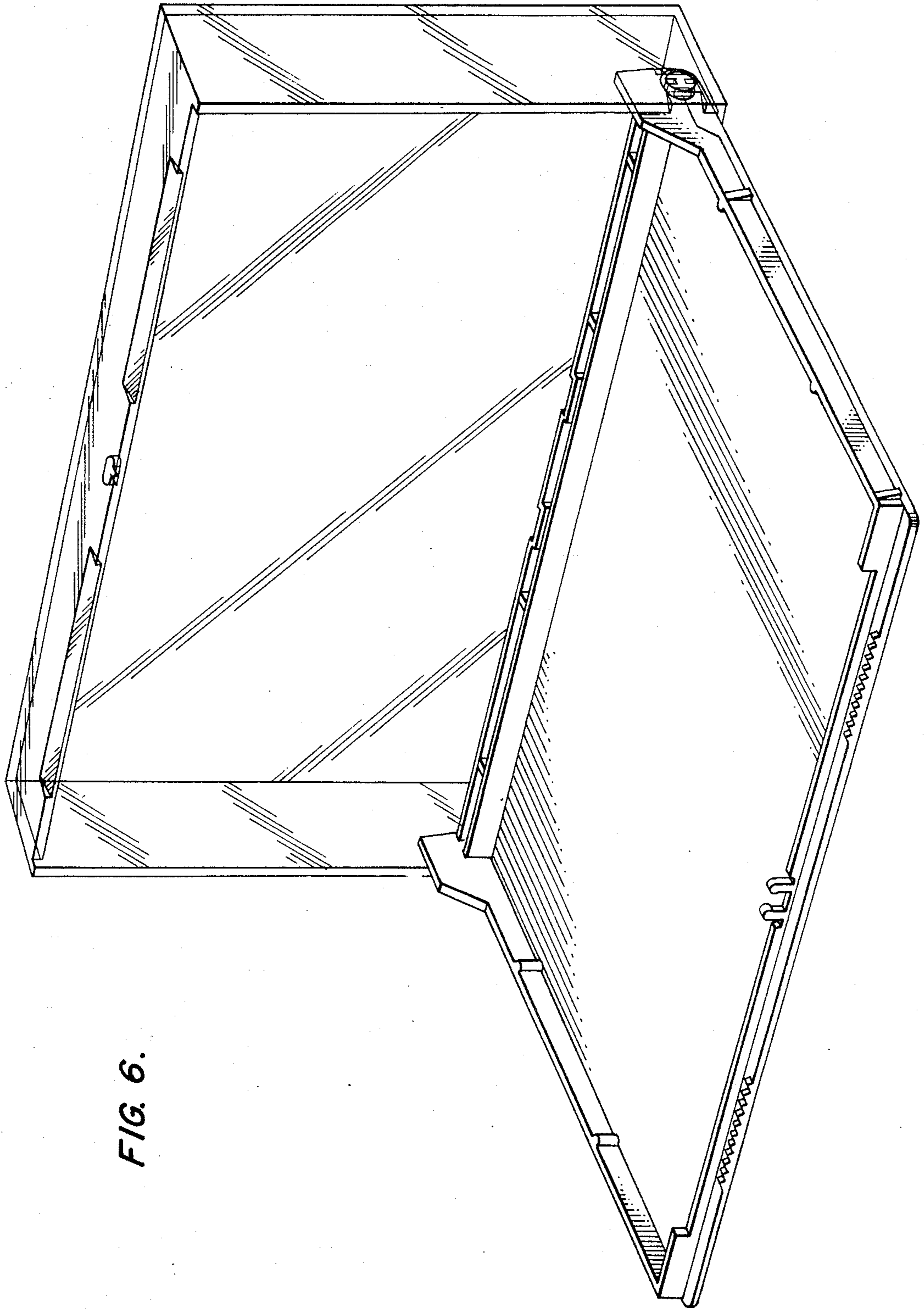


FIG. 6.