

[54] BOOTJACK

[76] Inventor: Charles L. Lauhoff, Rte. 2, Box 578, Amarillo, Tex. 79101

[**] Term: 14 Years

[21] Appl. No.: 623,415

[22] Filed: Jun. 22, 1984

[52] U.S. Cl. D2/642

[58] Field of Search D2/378.2, 378.1; D6/411, 412, 413, 414, 415; 223/111, 113, 114, 115, 116, 117

[56] References Cited

U.S. PATENT DOCUMENTS

- D. 102,230 12/1936 Lagomarsino D6/411
- D. 247,141 2/1978 Bailey D2/378.2

FOREIGN PATENT DOCUMENTS

- 30480 10/1907 Austria 223/113
- 636895 10/1936 Fed. Rep. of Germany 223/115
- 2516520 10/1976 Fed. Rep. of Germany 223/114
- 16865 of 1899 United Kingdom 223/113

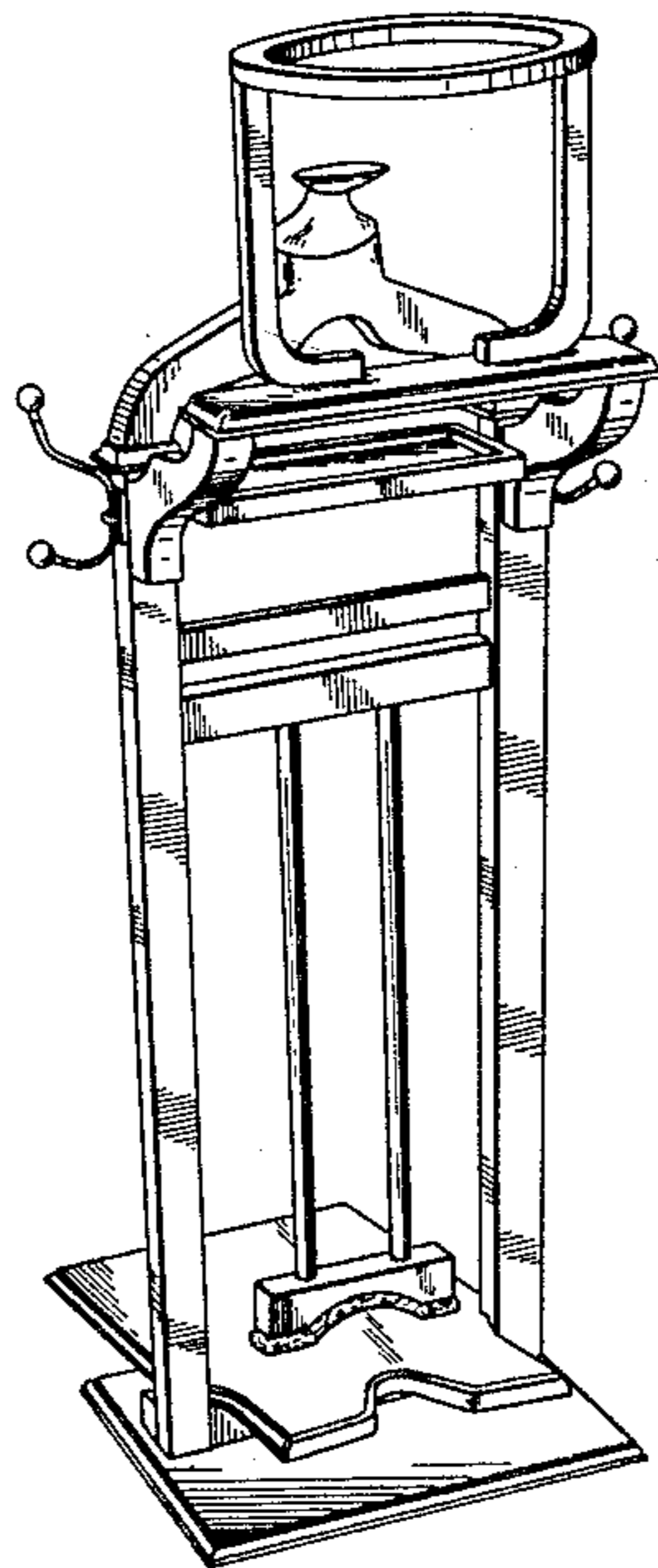
Primary Examiner—Bernard Ansher
Assistant Examiner—Theodore M. Shooman
Attorney, Agent, or Firm—Roylance, Abrams, Berdo & Goodman

[57] CLAIM

The ornamental design for a bootjack, as shown and described.

DESCRIPTION

FIG. 1 is a top, front and side perspective view of a bootjack showing my new design;
FIG. 2 is a top plan view thereof;
FIG. 3 is a bottom plan view thereof;
FIG. 4 is a right side elevational view thereof, the left side being a mirror image; and
FIG. 5 is a rear elevational view thereof.



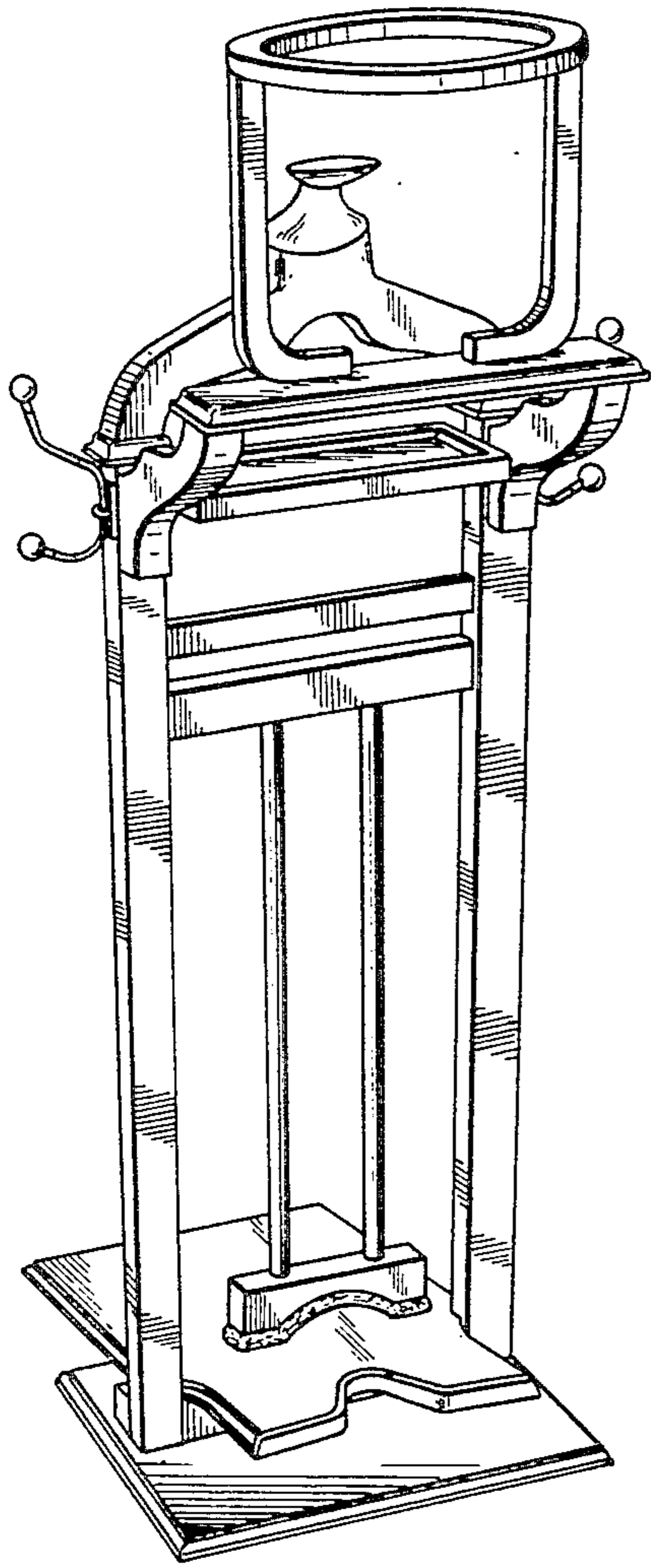


FIG. 1

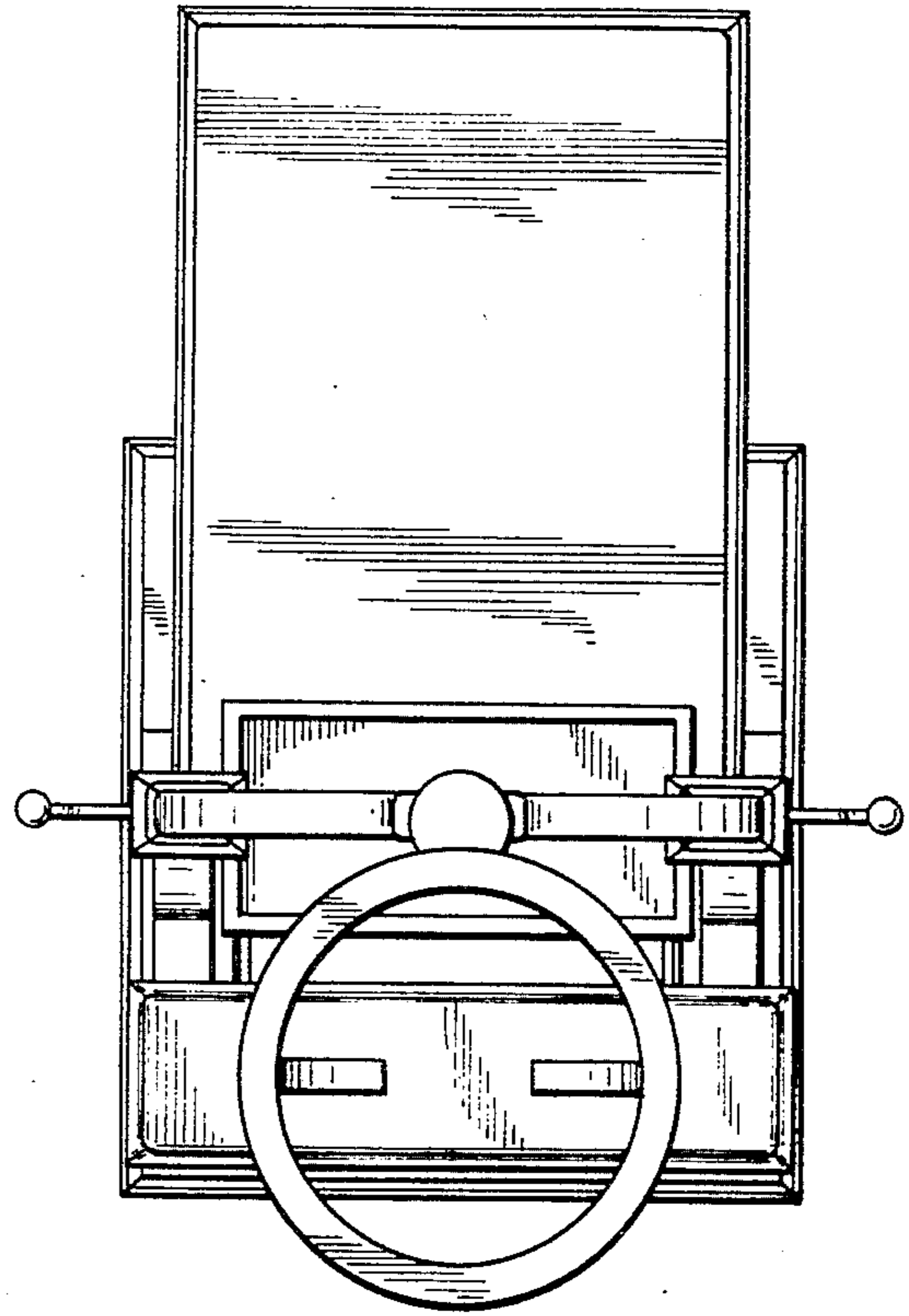


FIG. 2

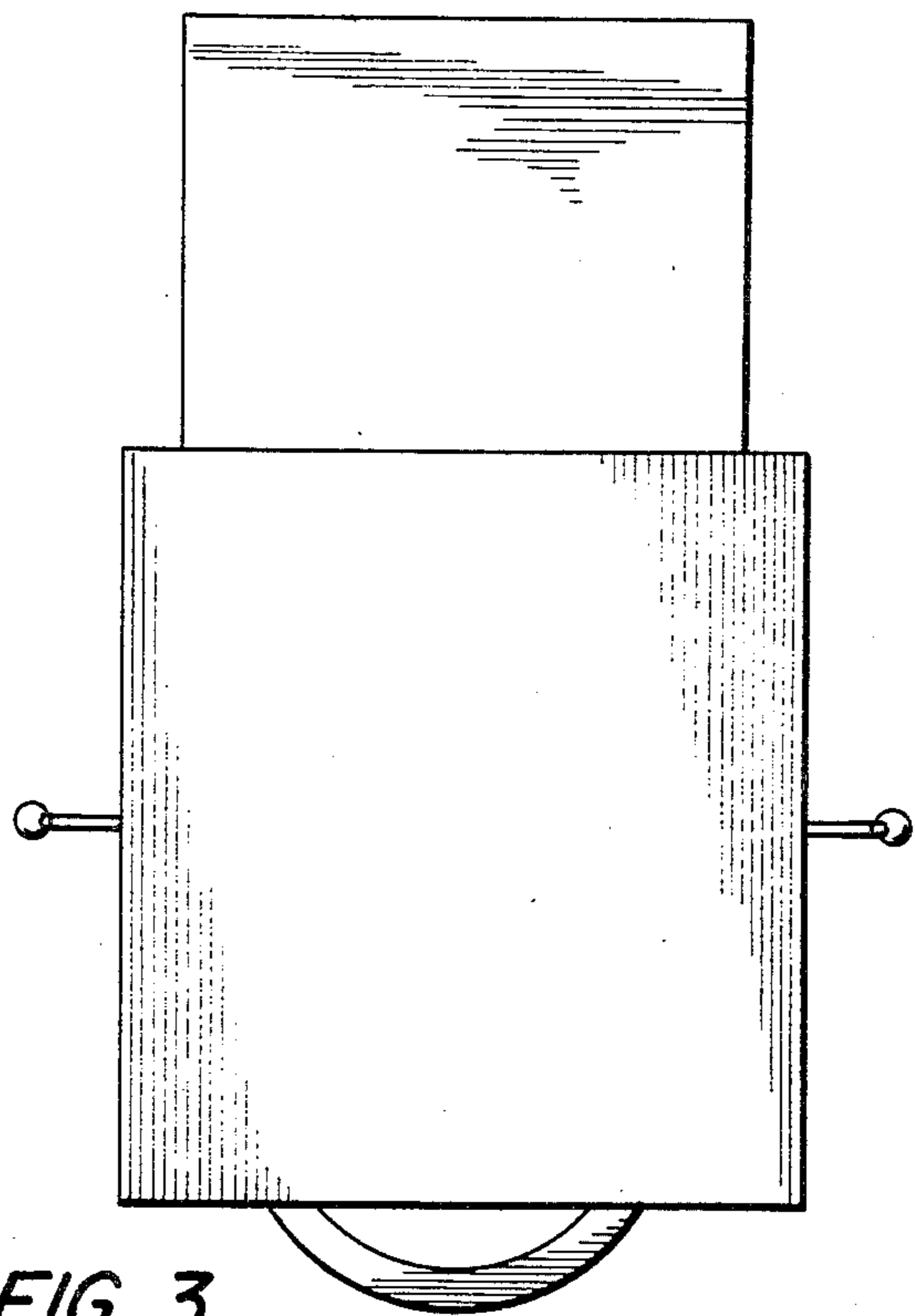


FIG. 3

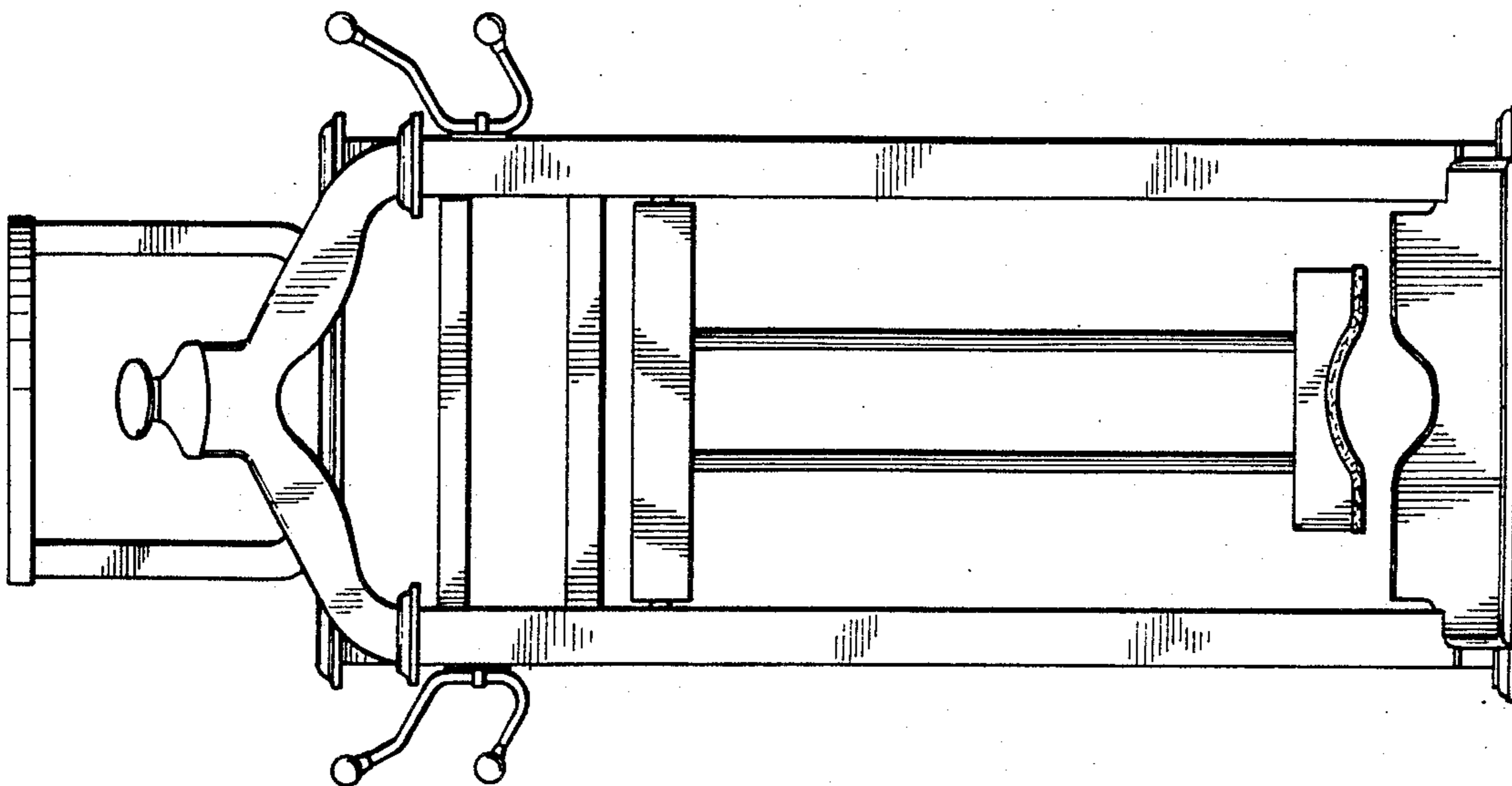


FIG. 5

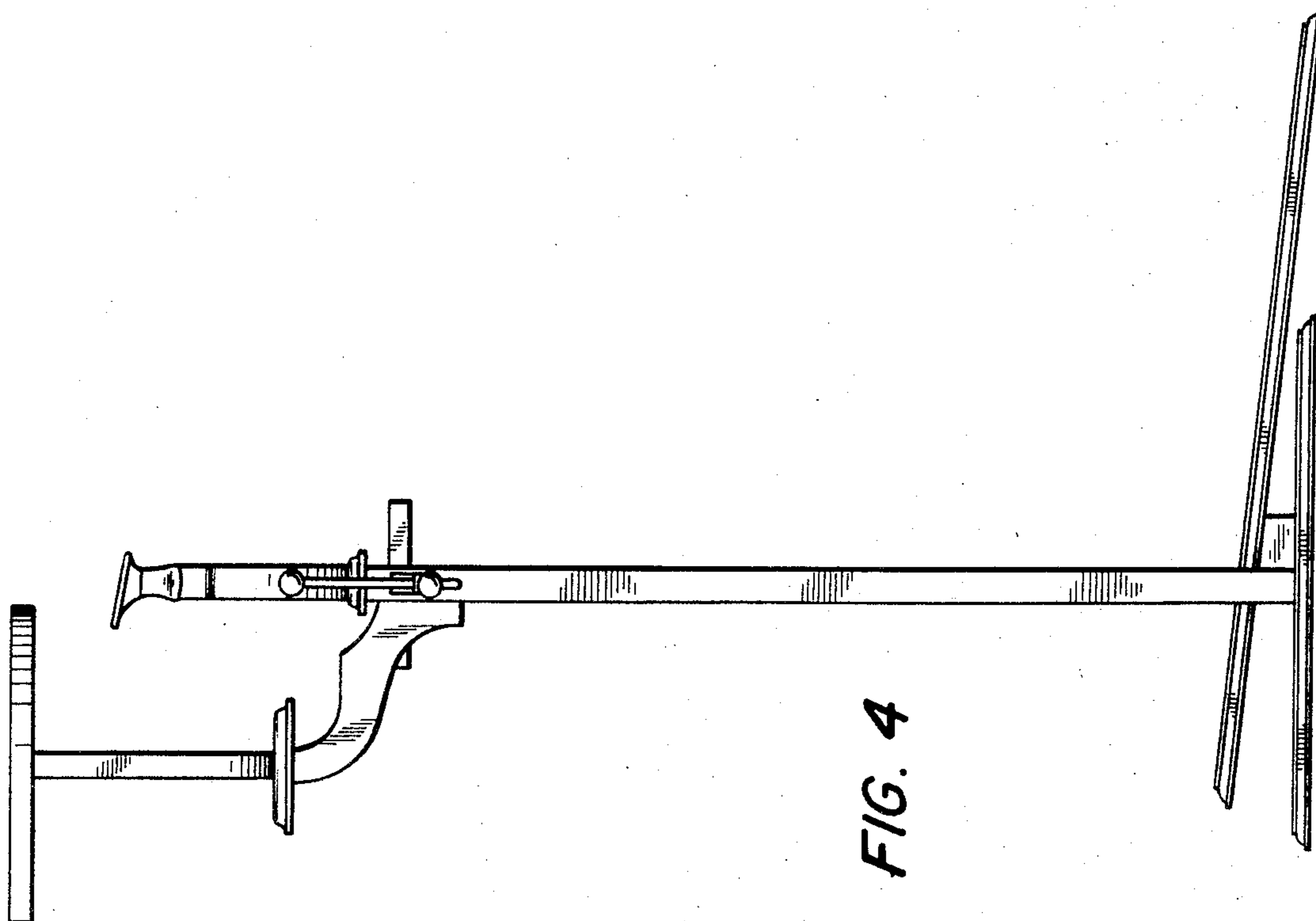


FIG. 4