

[54] NOVELTY SUN VISOR

[75] Inventor: Jennifer Laughlin, Clearwater, Fla.

[73] Assignees: B. O. Wyss, St. Louis, Mo.; E. L. Wyss, Alton, Ill.; R. G. Heywood, St. Louis, Mo. ; part interest to each

[**] Term: 14 Years

[21] Appl. No.: 604,539

[22] Filed: Apr. 27, 1984

[52] U.S. Cl. D2/252; D2/247; D2/253

[58] Field of Search D2/230, 234, 239, 240, D2/241, 244, 247, 248, 250, 252, 253; 2/11, 12, 15, 175, 177, 195, 196, 197, 198, 199, 200; 446/26, 27

[56] References Cited

U.S. PATENT DOCUMENTS

D. 64,441	4/1924	Cavell	D2/247
D. 206,623	1/1967	Hoffman	D2/234
D. 237,758	11/1975	Hoffman	D2/244
D. 263,092	2/1982	Fay	D2/253 X
1,484,042	2/1924	Smilie	2/12
1,782,206	11/1930	Kornsweet	2/12

FOREIGN PATENT DOCUMENTS

180805	11/1935	Switzerland	2/12
258570	12/1948	Switzerland	2/12

OTHER PUBLICATIONS

Wards S&S 1980, p. 357; Boxer Style Men's Shorts bottom right on page; p. 377; Boys' Underwear Brief, top right on page.

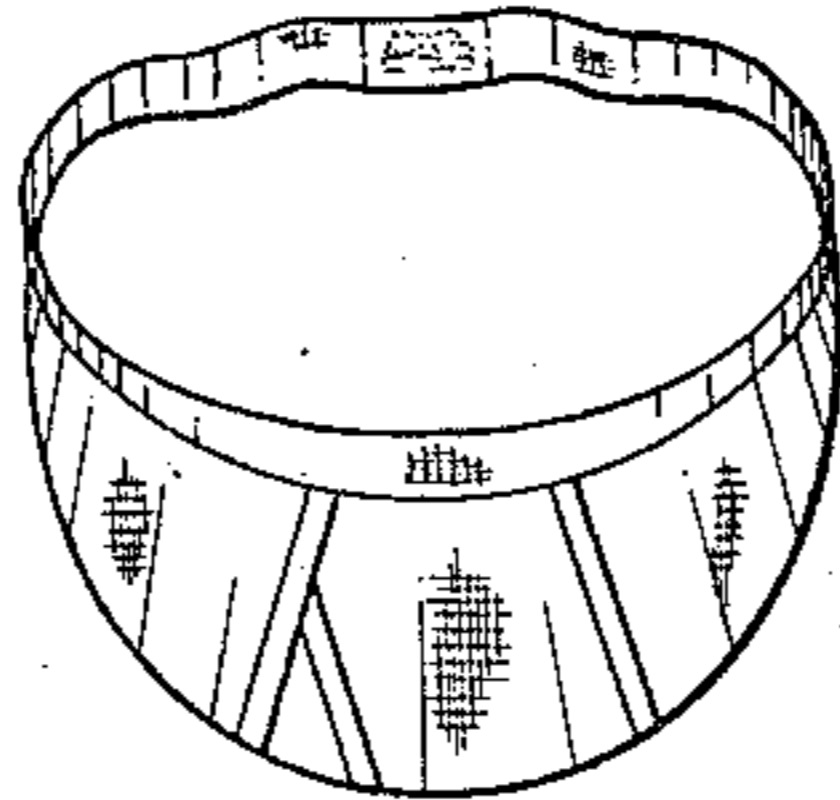
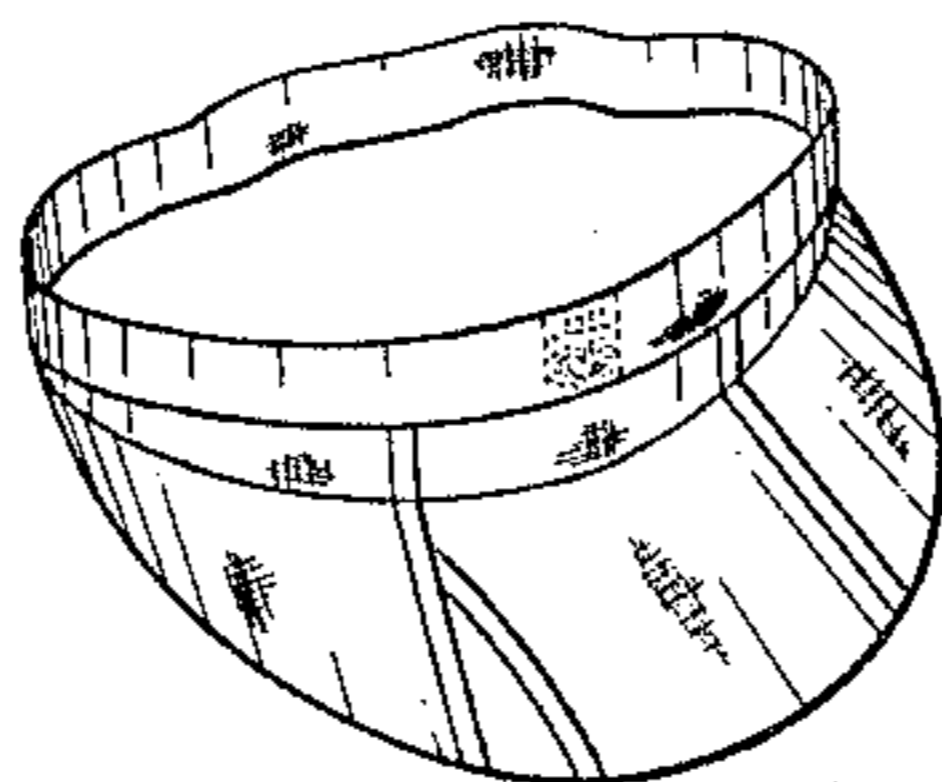
Primary Examiner—Carmen H. Vales
Attorney, Agent, or Firm—Richard G. Heywood

[57] CLAIM

The ornamental design for a novelty sun visor, substantially as shown and described.

DESCRIPTION

FIG. 1 is a top perspective view of a novelty sun visor showing my new design;
FIG. 2 is a bottom perspective view thereof;
FIG. 3 is a top perspective view of a modified form of the novelty sun visor shown in FIG. 1; and
FIG. 4 is a bottom perspective view of the modified form shown in FIG. 3.
The phantom lines illustrate labels for environmental purposes.



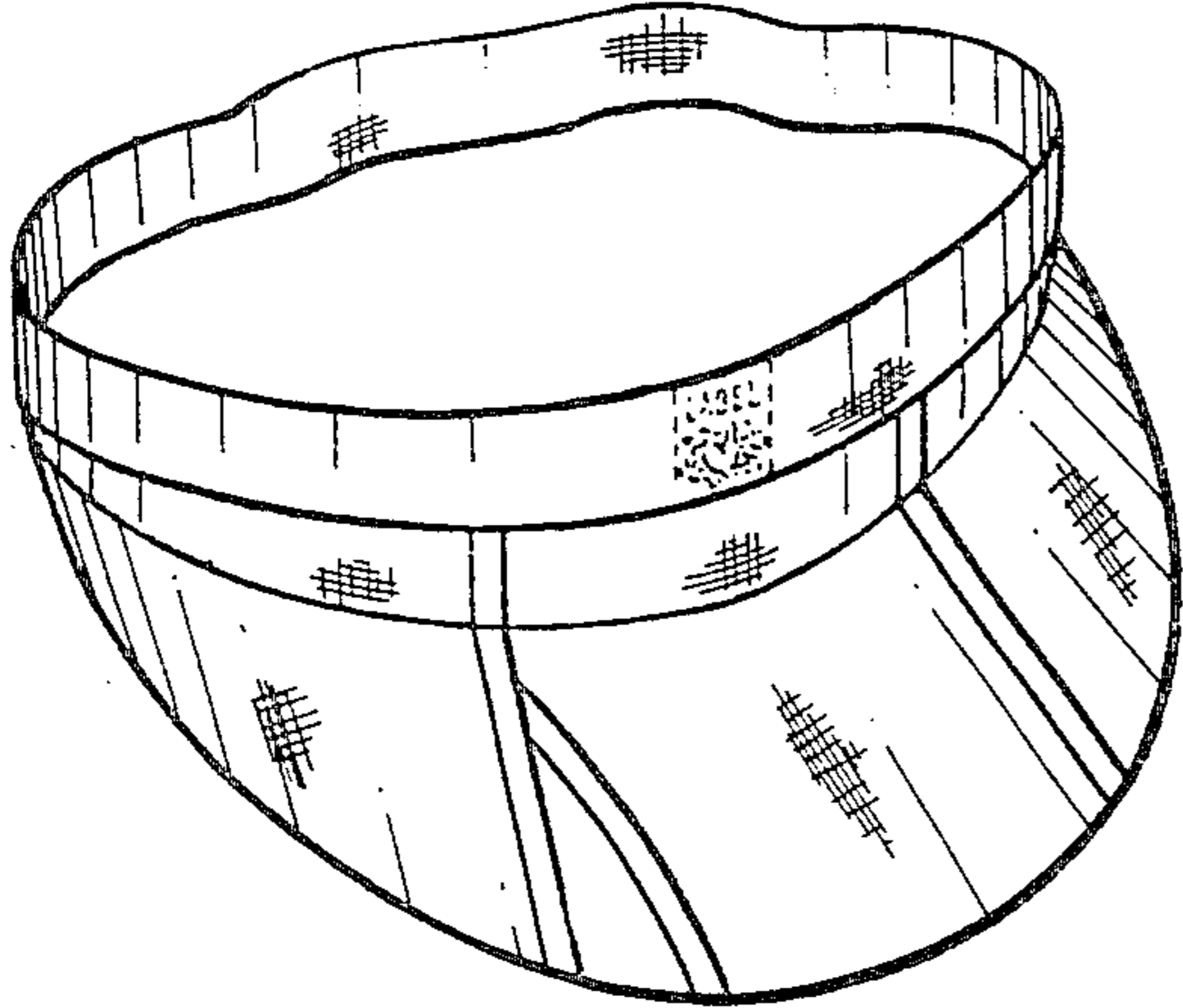


FIG. 1

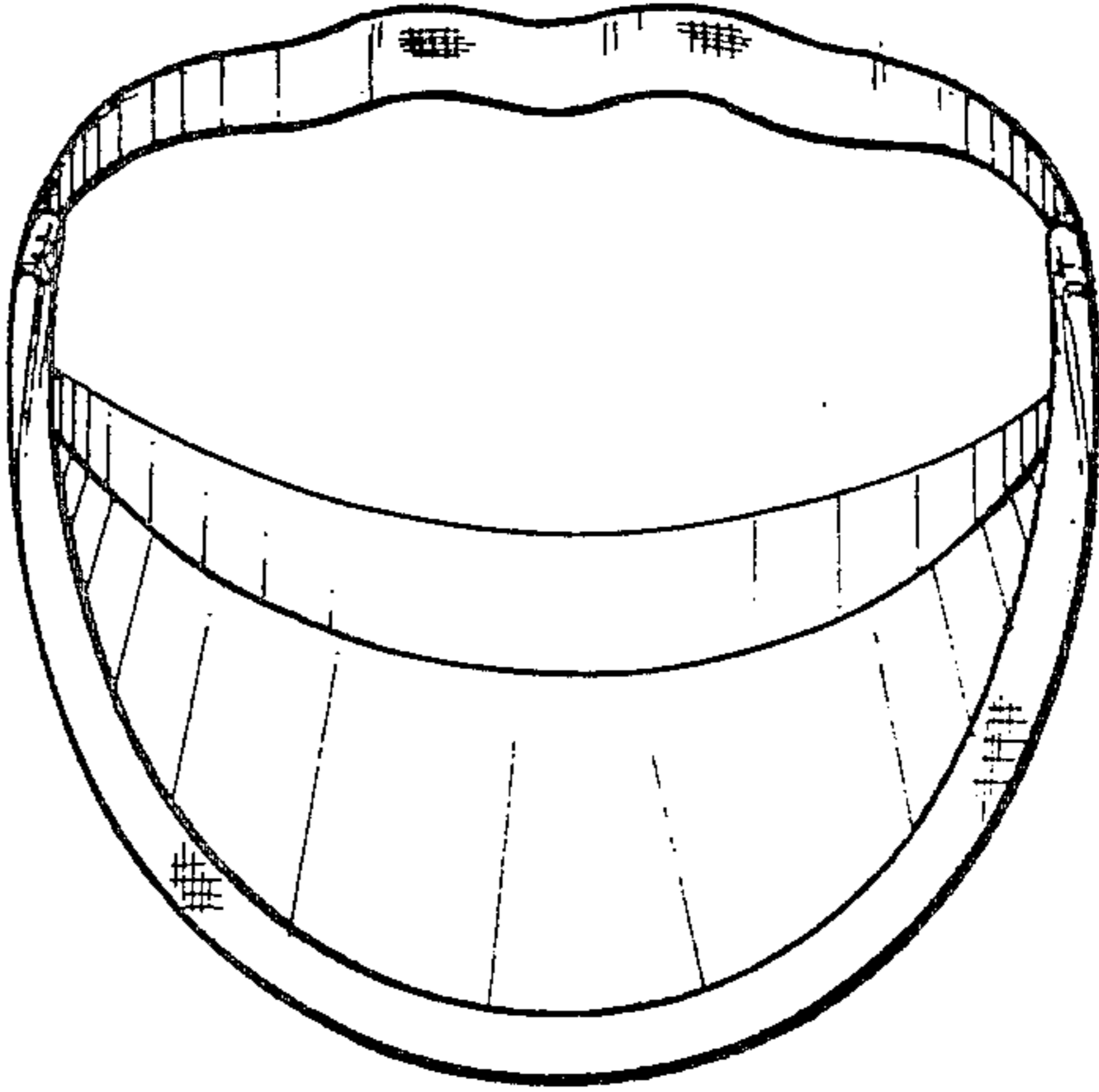


FIG. 2

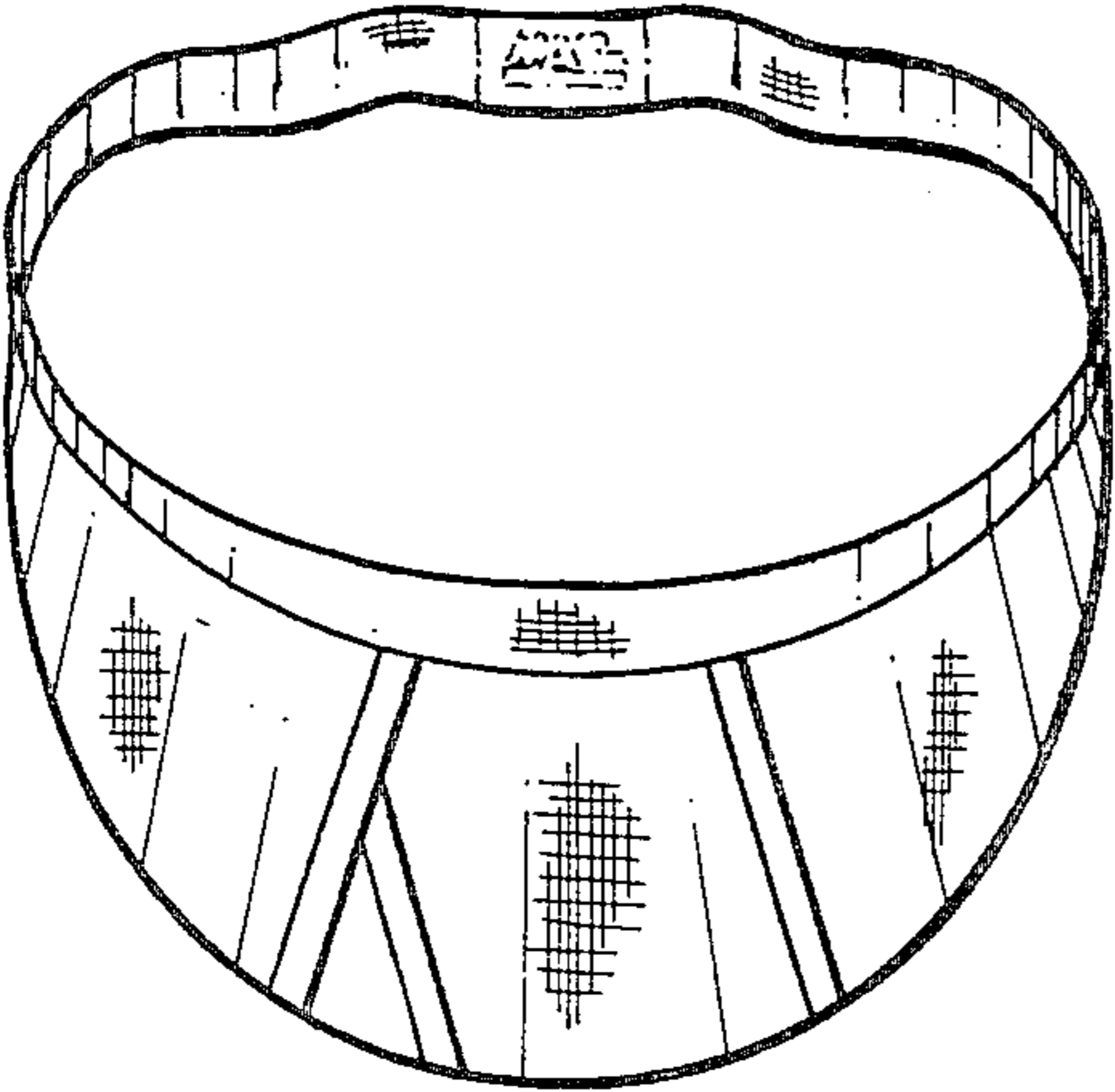


FIG. 3

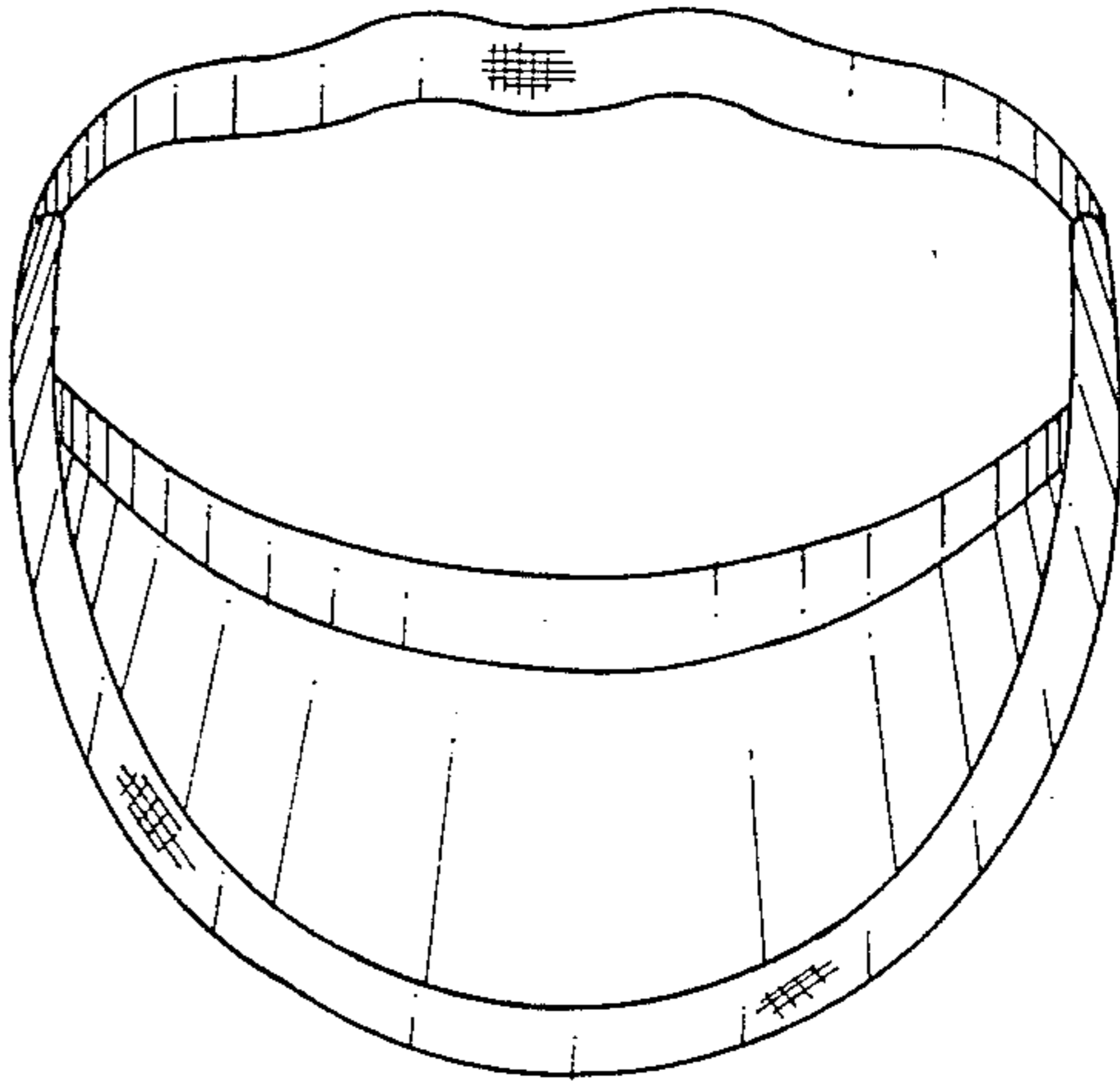


FIG. 4