

[54] NOVELTY SUN VISOR

[75] Inventor: Jennifer Laughlin, Clearwater, Fla.

[73] Assignees: B. O. Wyss, St. Louis, Mo.; E. L. Wyss, Alton, Ill.; R. G. Heywood, St. Louis, Mo. ; part interest to each

[**] Term: 14 Years

[21] Appl. No.: 603,915

[22] Filed: Apr. 26, 1984

[52] U.S. Cl. D2/252; D2/514; D2/247

[58] Field of Search D2/230, 239, 241, 244, D2/247, 250, 240, 248, 252, 253, 234; 2/DIG. 11, 175, 177, 195, 196, 197, 198, 199, 200, 12, 11, 15; 446/26, 27

[56] References Cited

U.S. PATENT DOCUMENTS

- D. 64,441 4/1924 Cavell D2/247
- D. 206,623 1/1967 Hoffman D2/234
- D. 237,758 11/1975 Huffman D2/244

- D. 263,092 2/1982 Fay D2/253 X
- 1,484,042 2/1924 Smilie 2/12
- 1,782,206 11/1930 Kornsweet 2/12

FOREIGN PATENT DOCUMENTS

- 180805 11/1935 Switzerland 2/12
- 258570 12/1948 Switzerland 2/12

OTHER PUBLICATIONS

Wards Spring & Summer 1980, p. 357; boxer style men's shorts, bottom right on page.

Wards Spring & Summer 1980, p. 377; boys' underwear brief, top right on page.

Primary Examiner—Carmen H. Vales

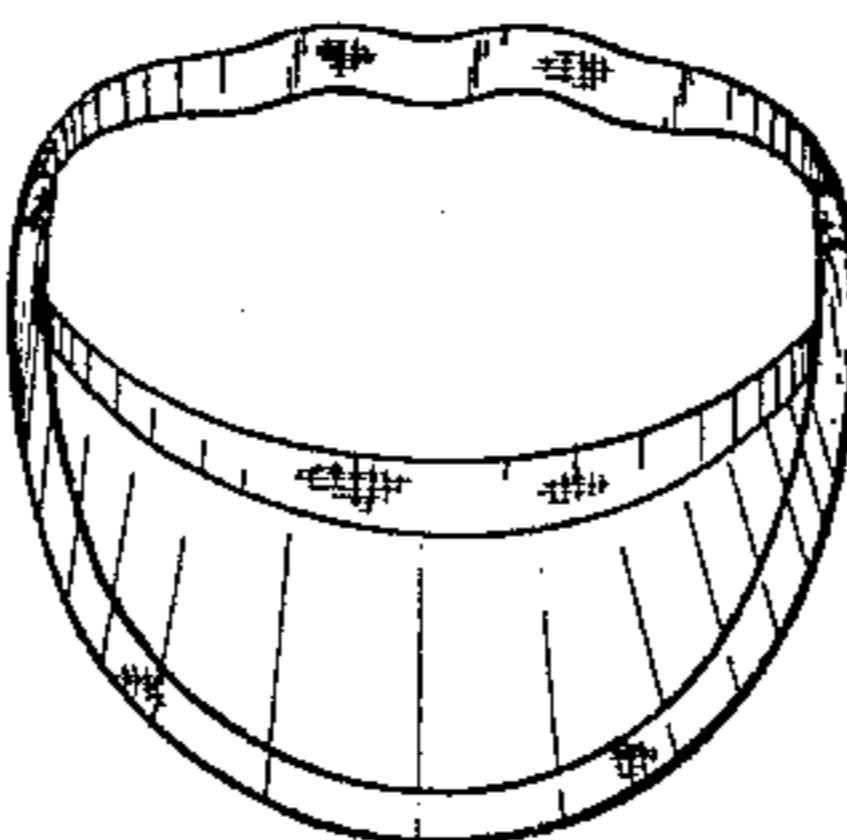
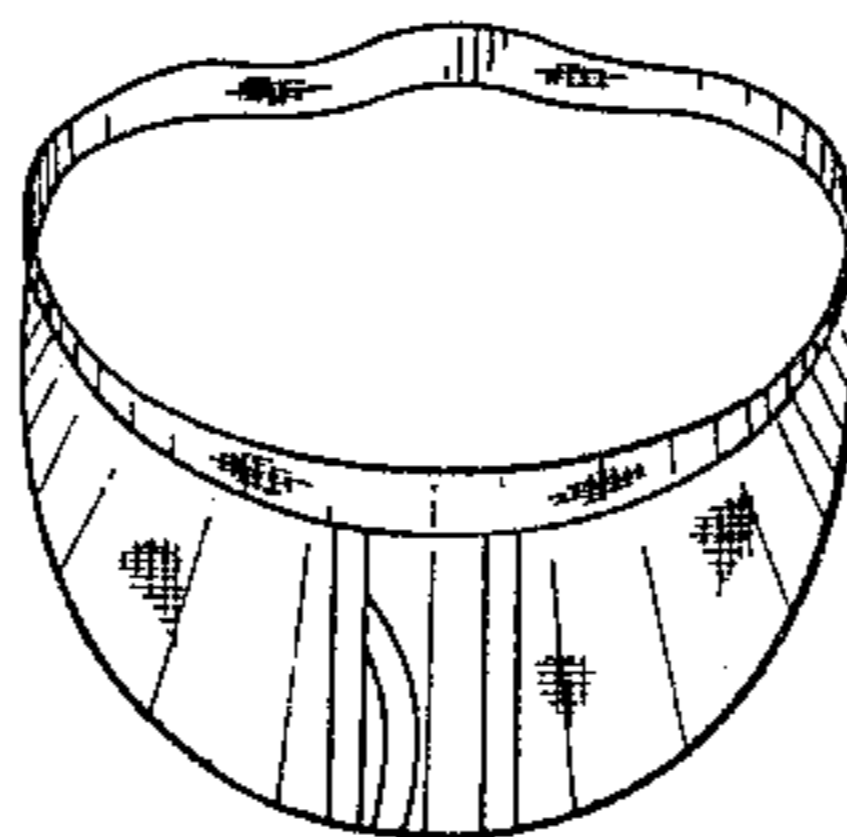
Attorney, Agent, or Firm—Richard G. Heywood

[57] CLAIM

The ornamental design for a novelty sun visor, substantially as shown and described.

DESCRIPTION

FIG. 1 is a top perspective view of a novelty sun visor showing my new design; and FIG. 2 is a bottom perspective view thereof.



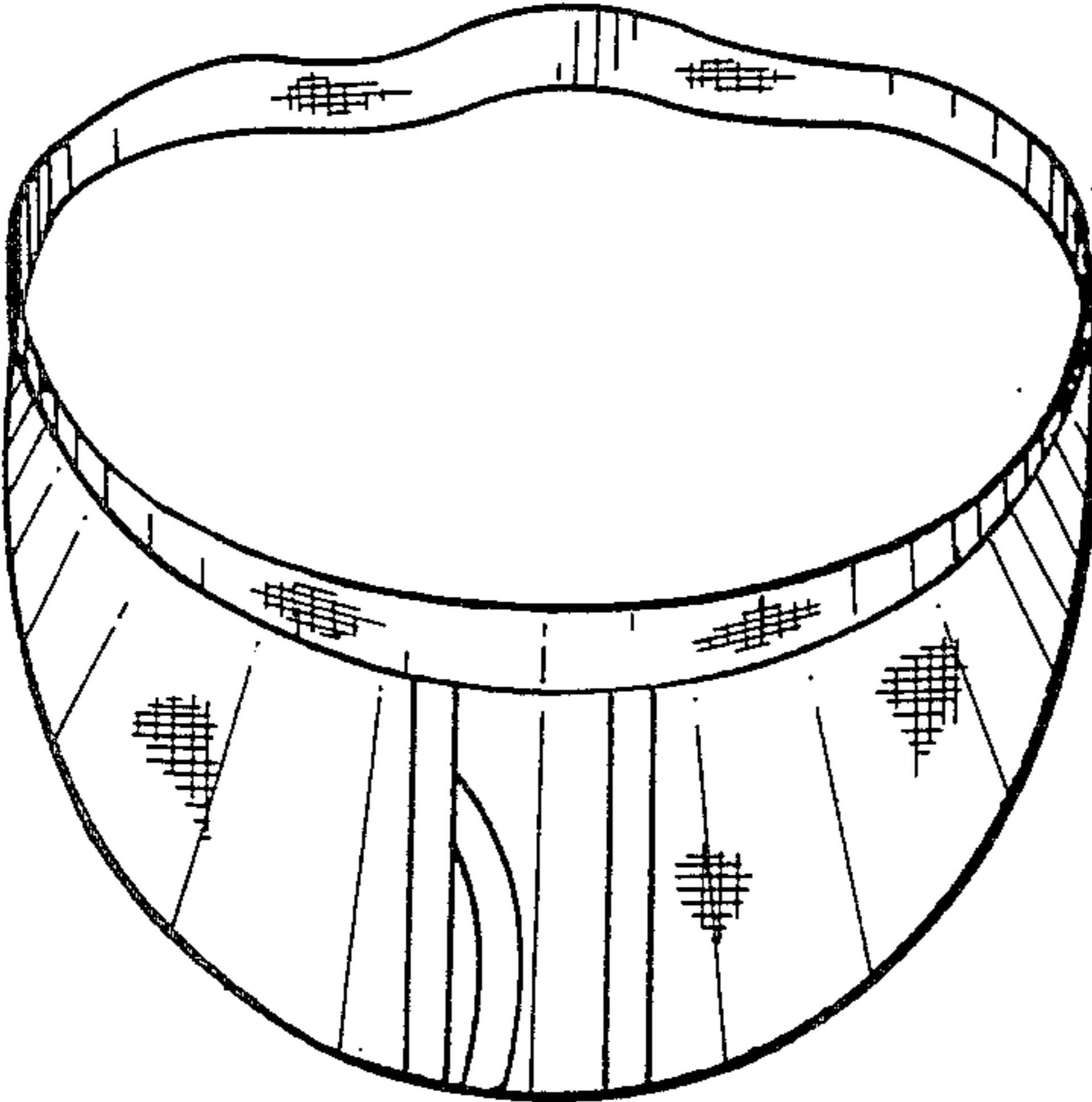


FIG. 1

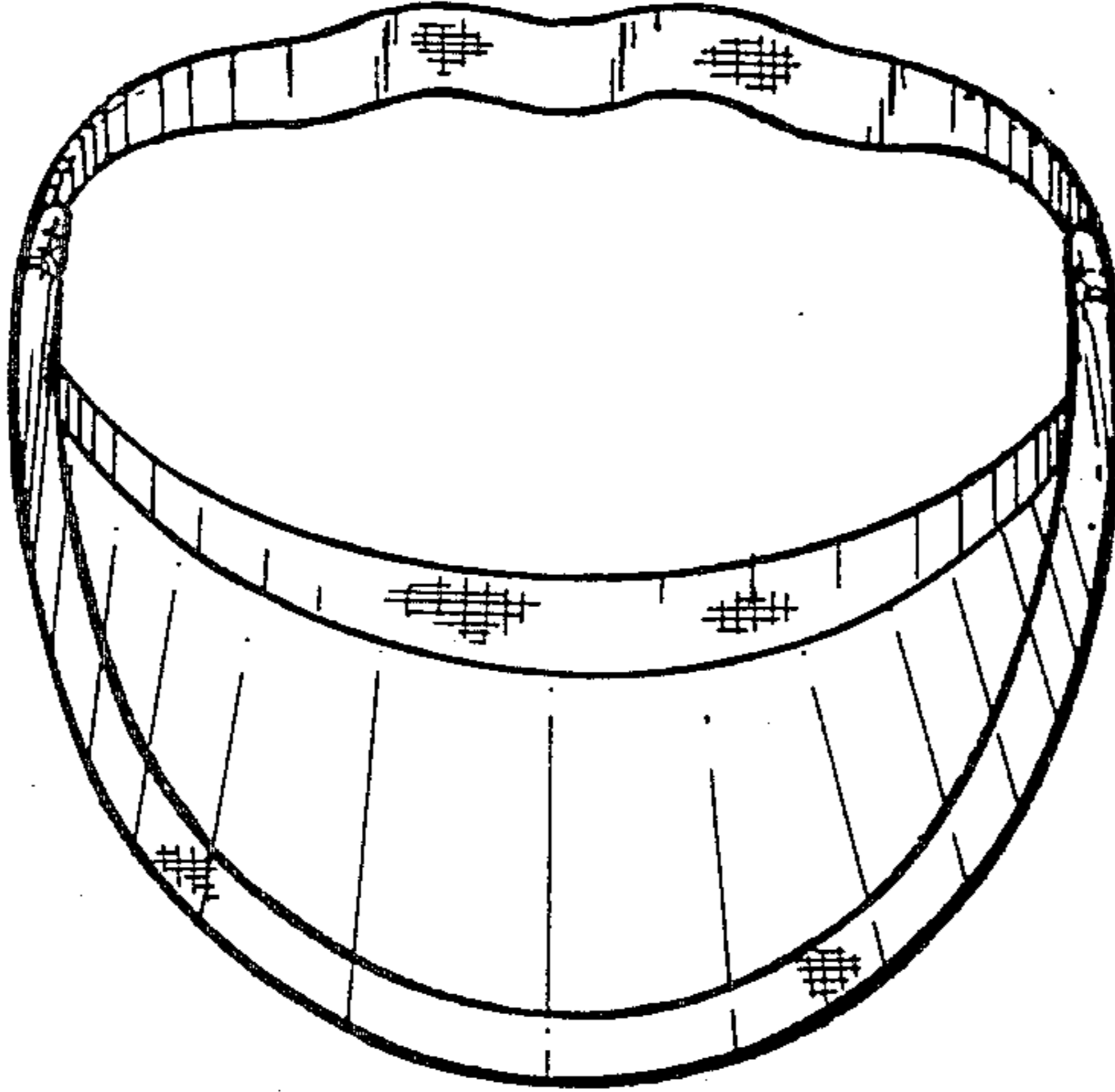


FIG. 2