

[54] BIB WITH STRAIGHT ARMS

[75] Inventor: Karen D. Marconi, East Aurora, N.Y.

[73] Assignee: The Quaker Oats Company, Chicago, Ill.

[**] Term: 14 Years

[21] Appl. No.: 576,261

[22] Filed: Feb. 2, 1984

[52] U.S. Cl. D2/227

[58] Field of Search D2/226, 227, 346-347; 2/46, 49 R, 49 A

[56] References Cited

U.S. PATENT DOCUMENTS

D. 94,343 1/1935 Eidinger D2/226

D. 115,066	5/1939	Fadie	D2/226
D. 163,304	5/1951	McEwen	D2/227
2,512,920	6/1950	Collins	2/50
2,884,638	5/1959	Ream	2/49 R

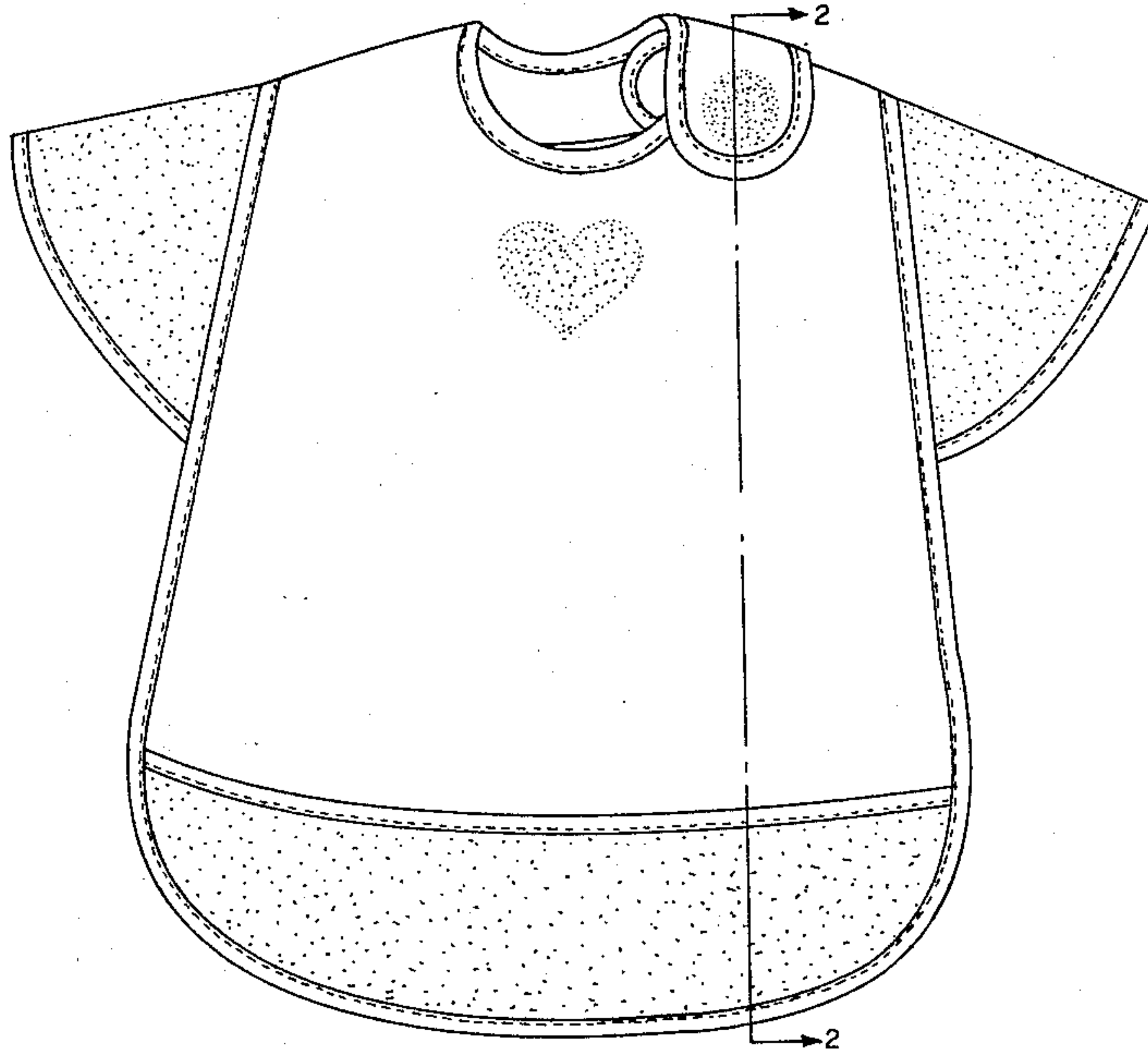
Primary Examiner—Bernard Ansher
Assistant Examiner—Terry Pfeffer
Attorney, Agent, or Firm—Cumpston & Shaw

[57] CLAIM

The ornamental design for a bib with straight arms, substantially as shown and described.

DESCRIPTION

FIG. 1 is a front elevational view of a bib showing my new design, the neck strap thereof shown in the closed position;
FIG. 2 is a sectional view taken along line 2—2 of FIG. 1; and
FIG. 3 is a rear elevational view thereof.



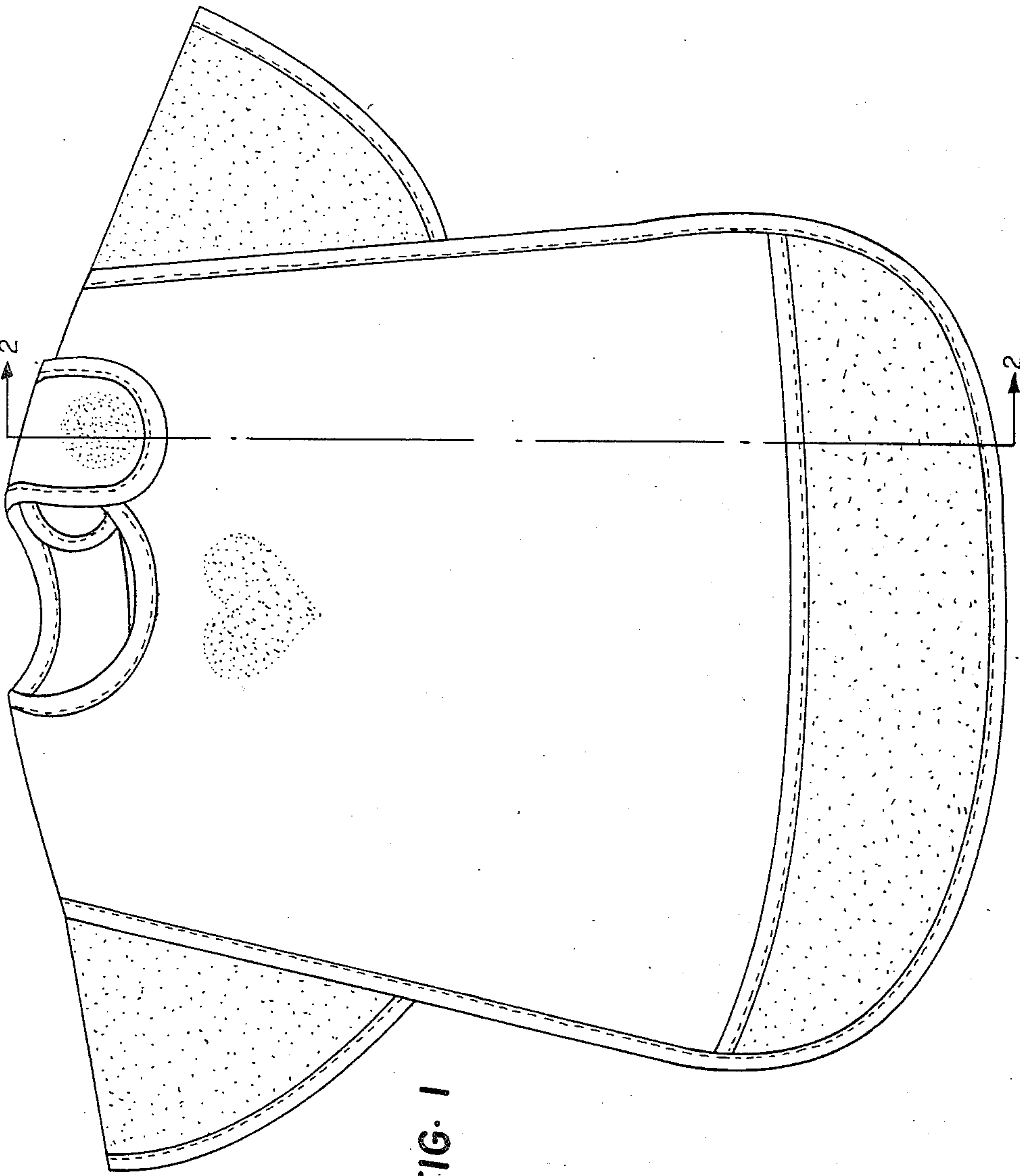


FIG. 1

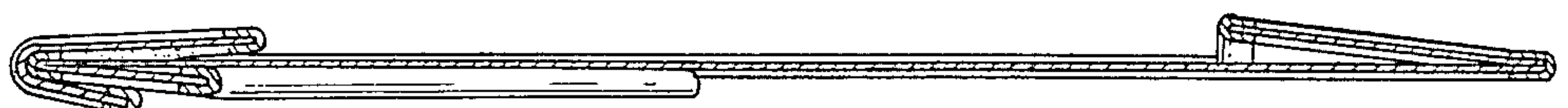


FIG. 2

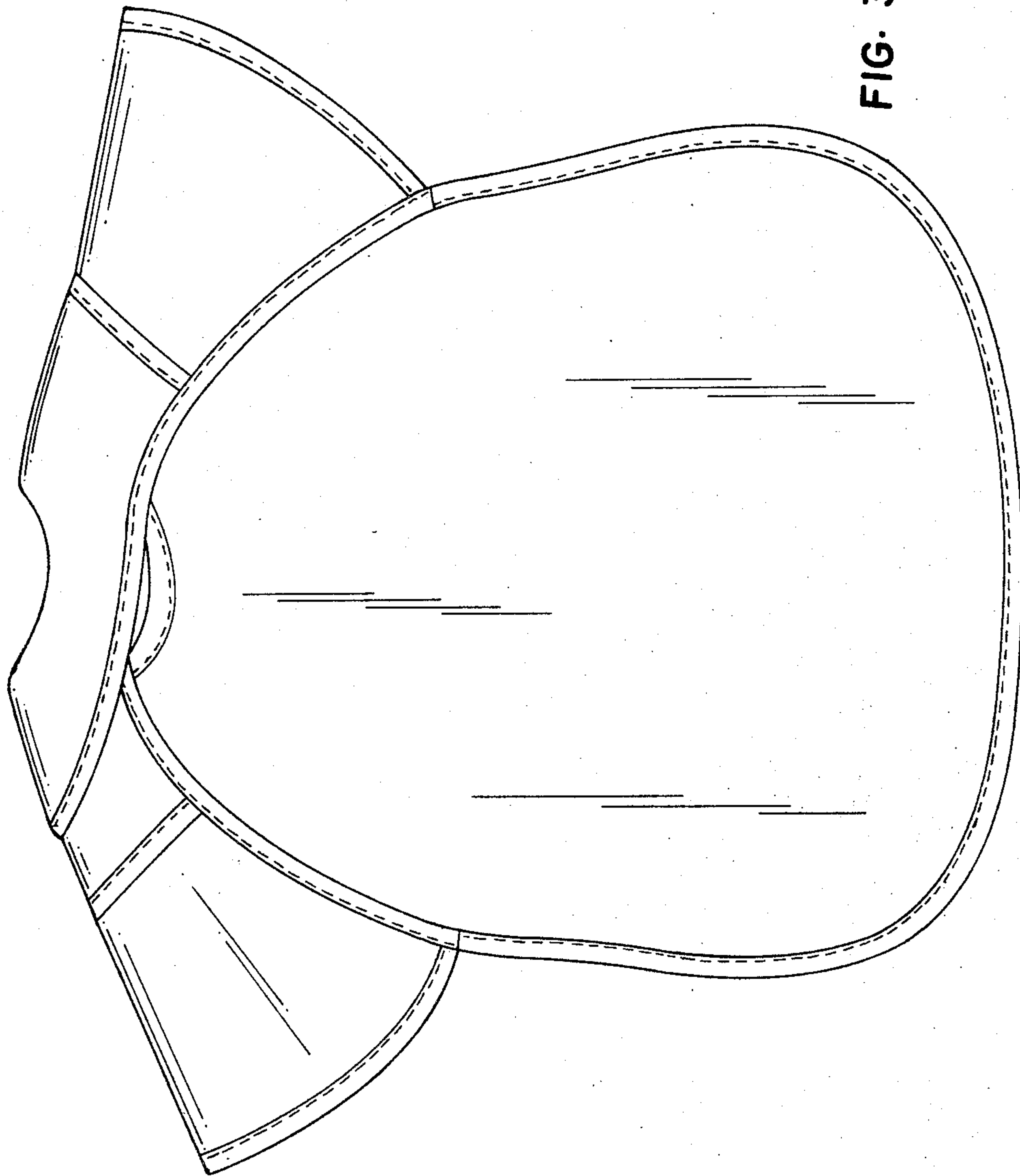


FIG. 3