

[54] COMBINED HAND-HELD VACUUM CLEANER, ACCESSORIES AND SUPPORT THEREFOR

[75] Inventors: Alain Verdier, Sainte Foy Les Lyon; Marc Polly, Villeurbanne, both of France

[73] Assignee: Black & Decker Inc., Newark, Del.

[**] Term: 14 Years

[21] Appl. No.: 622,114

[22] Filed: Jun. 19, 1984

[30] Foreign Application Priority Data

Dec. 21, 1983 [FR] France 834799

[52] U.S. Cl. D32/18

[58] Field of Search D32/1, 17-18, D32/21, 24-25, 30-34; 15/143 A, 146, 300 R, 323, 329, 344, 352, 354, 361, 363-364, 412, 415 A, 415 R, 416, 419-422

[56] References Cited

U.S. PATENT DOCUMENTS

D. 257,661 12/1980 Gantz D32/18
D. 262,257 12/1981 Sohn D32/17

OTHER PUBLICATIONS

Best Product Catalog, 1983/1984, ©1983, p. 407, Items 1 & 2, Black & Decker "Dustbuster Plus Cordless Vacuum Cleaner", Model 9333.
Evans 1980-81 Catalog, ©1980, p. 388, Item 3, Black & Decker 12-Volt Car Vac.

Primary Examiner—Wallace R. Burke
Assistant Examiner—Ruth E. Takemoto

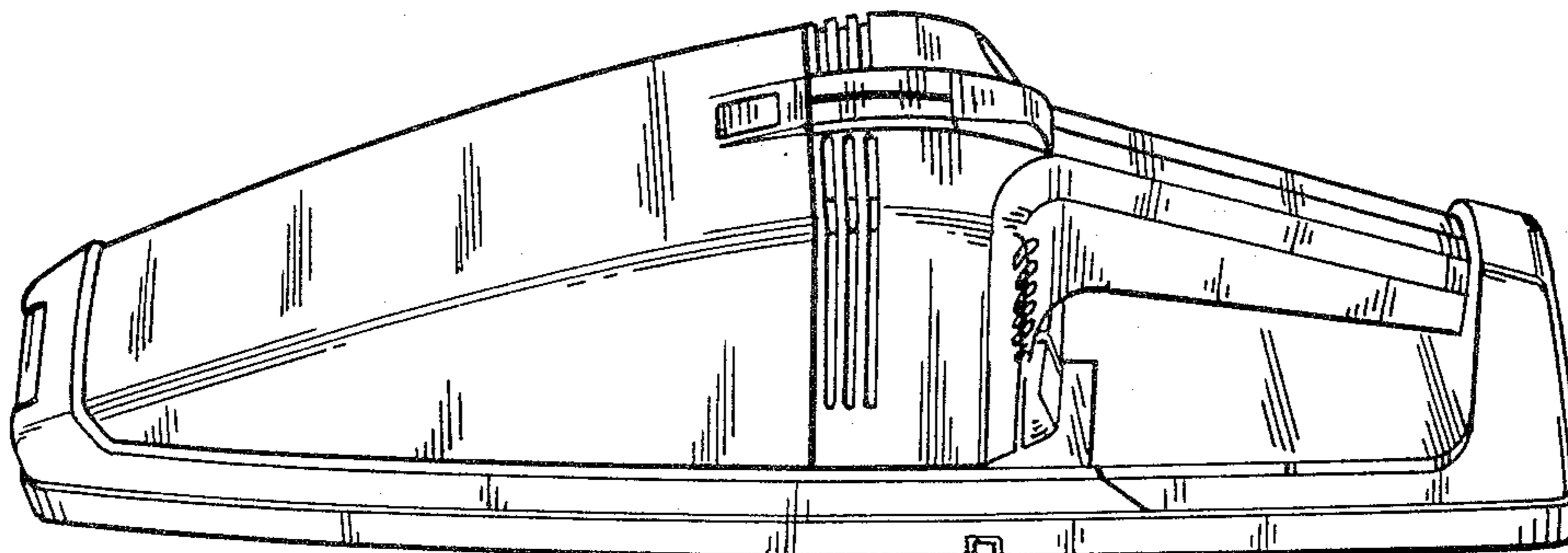
Attorney, Agent, or Firm—Edward D. Murphy; Harold Weinstein; Edward D. C. Bartlett

[57] CLAIM

The ornamental design for a combined hand-held vacuum cleaner, accessories and support therefor, as shown.

DESCRIPTION

FIG. 1 is a side elevational view of a combined hand-held vacuum cleaner, accessories and support therefor showing my new design;
FIG. 2 is a side elevational view thereof of the other side;
FIG. 3 is a rear elevational view thereof;
FIG. 4 is a front elevational view thereof;
FIG. 5 is a top plan view thereof;
FIG. 6 is a bottom plan view thereof;
FIG. 7 is an exploded perspective view thereof with the compartment open and the accessories housed in the support, namely a filter bag assembly, a long suction nozzle and a short brush nozzle;
FIG. 8 is a top and side perspective view thereof;
FIG. 9 is a side and rear perspective view thereof;
FIG. 10 is a top, side and front perspective view thereof;
FIG. 11 is a bottom, side and rear perspective view of the hand-held vacuum cleaner;
FIG. 12 is a top plan view of the support thereof with the accessories of FIG. 7 removed;
FIG. 13 is a bottom plan view of the support thereof, with the accessories of FIG. 7 removed;
FIG. 14 is a top, side and rear perspective view of the support thereof, with the accessories of FIG. 7 removed; and
FIG. 15 is a top, side and front perspective view of the support thereof, from the opposite side of FIG. 14.
The vacuum cleaner and the support are shown in FIGS. 11 through 15 for clarity of illustration only.



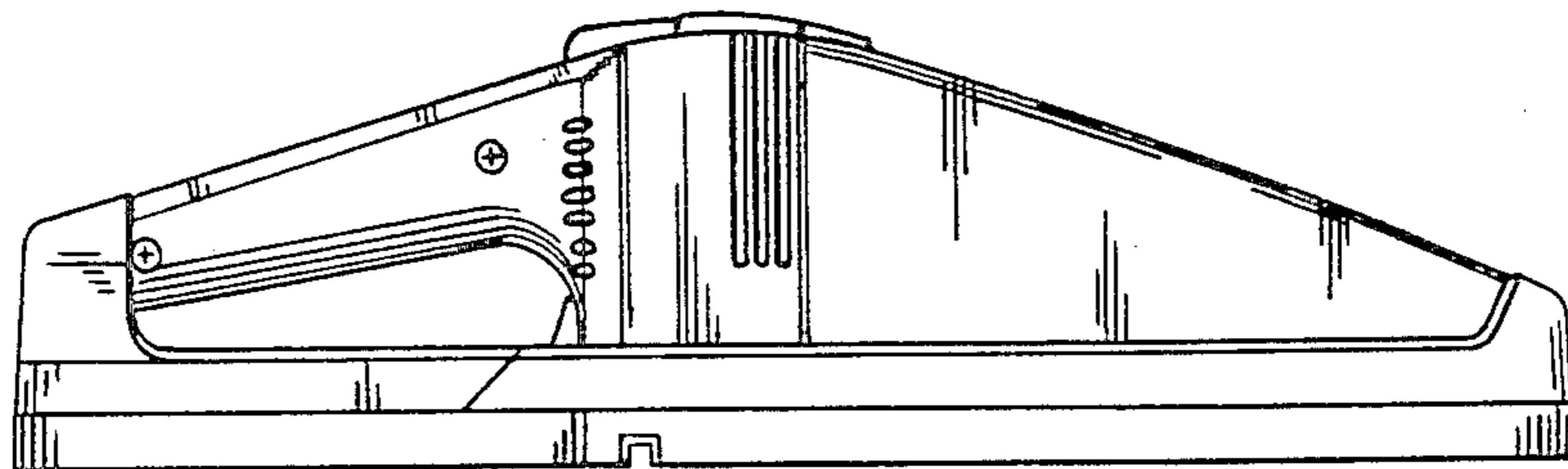


FIG. 1

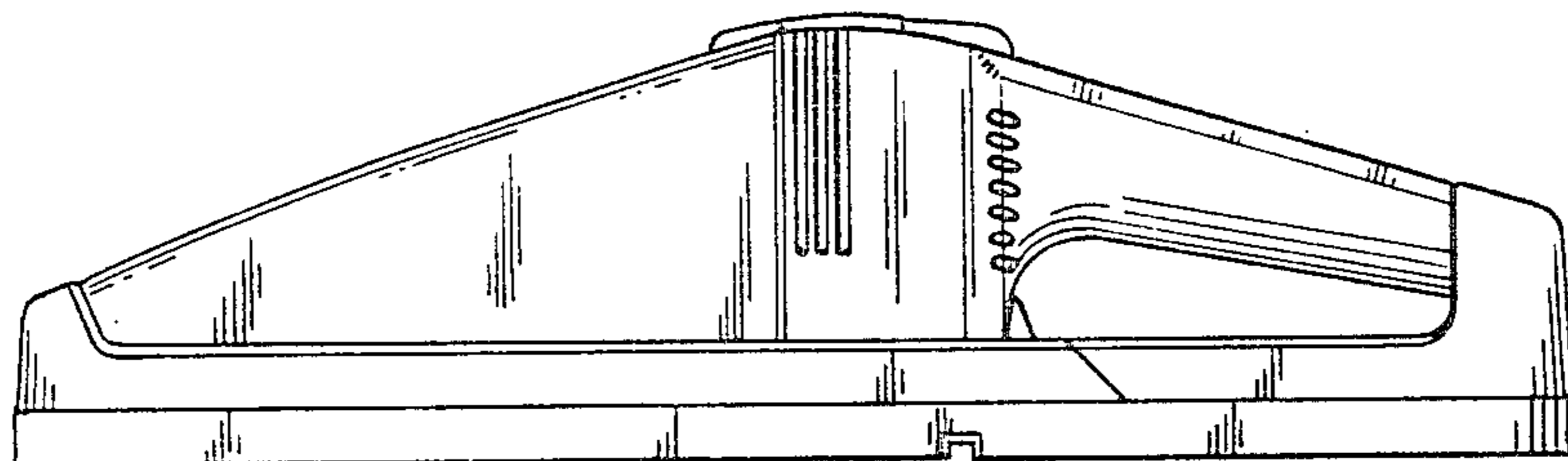


FIG. 2

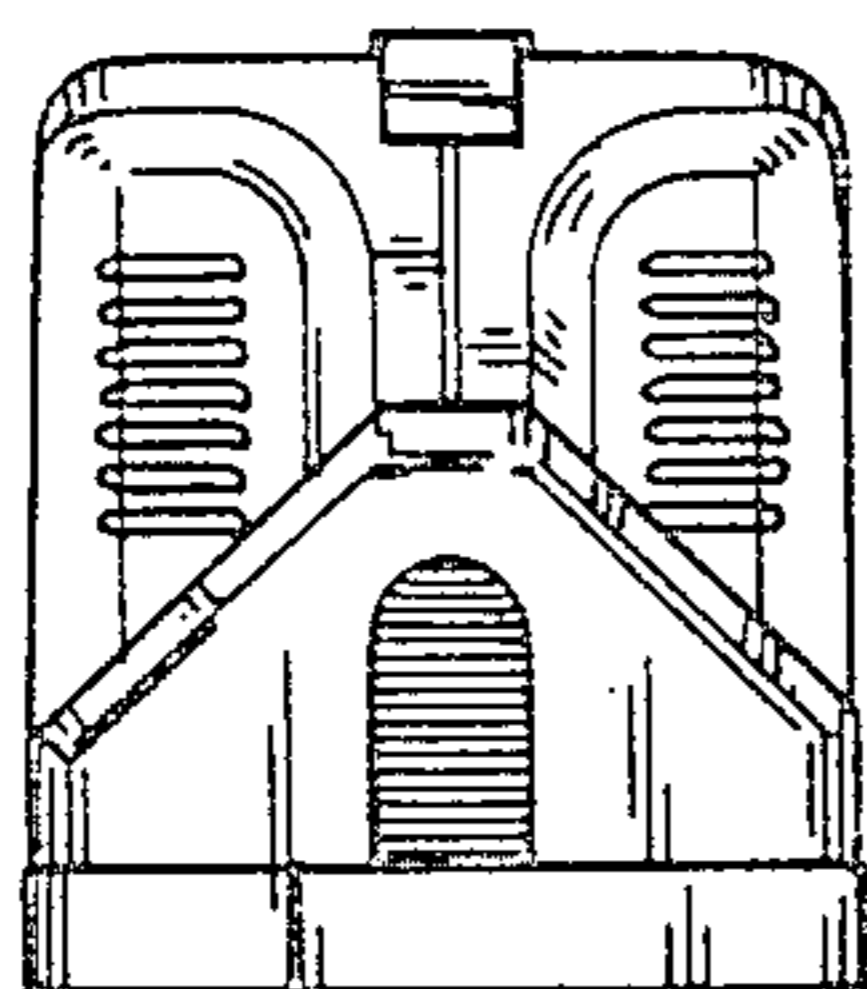


FIG. 3

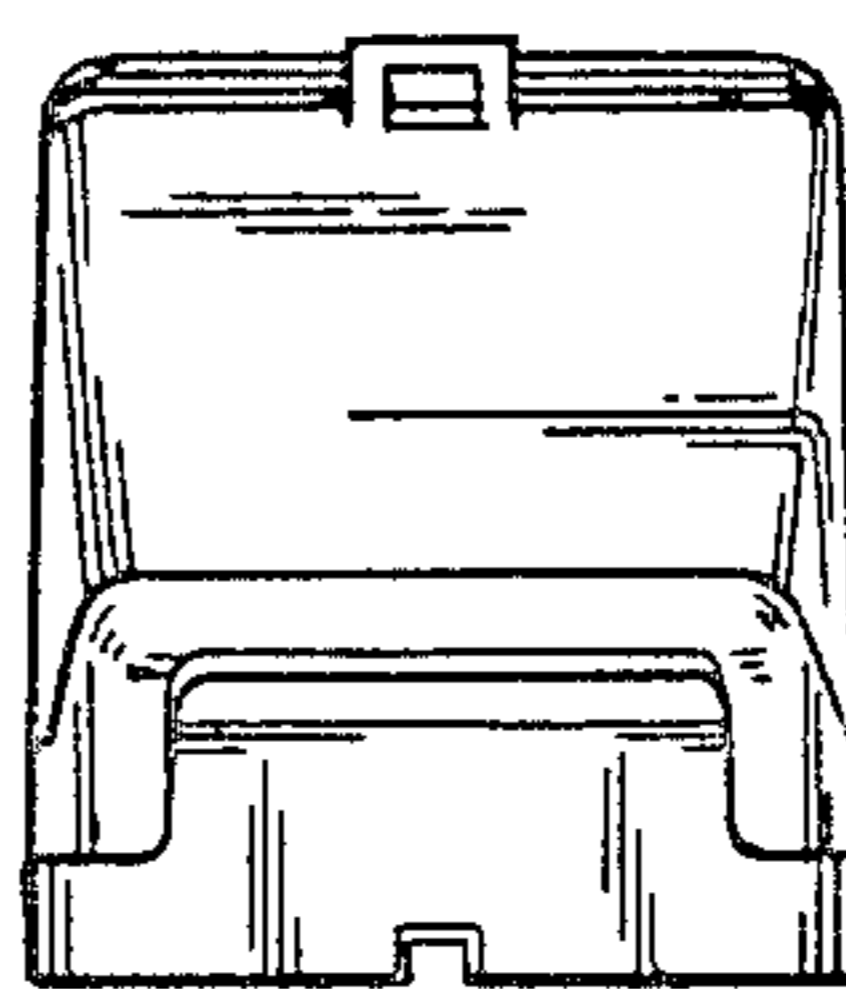


FIG. 4

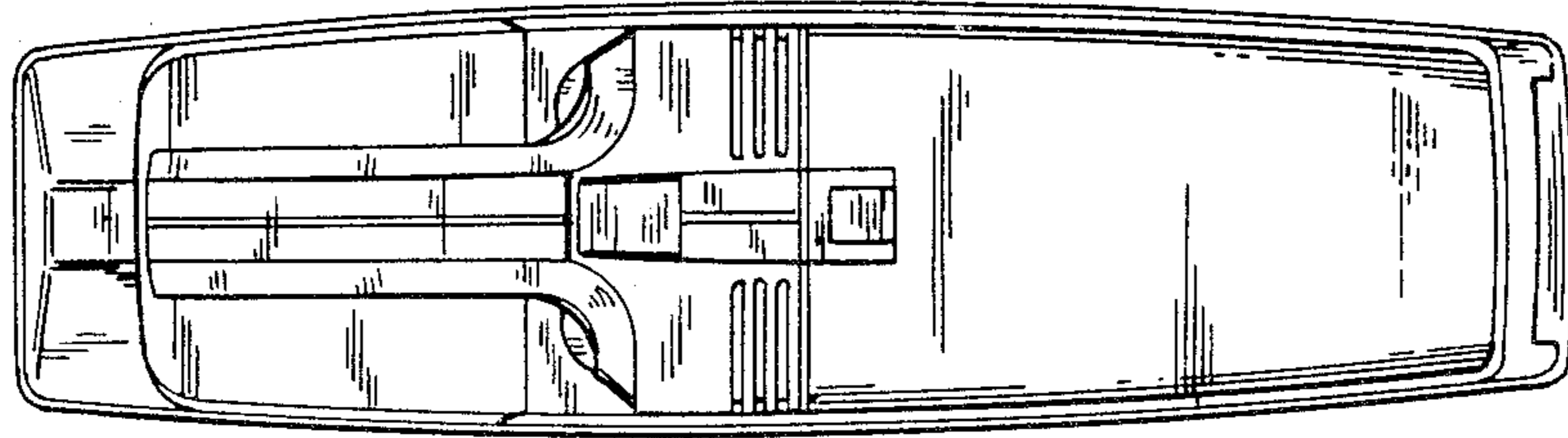


FIG. 5

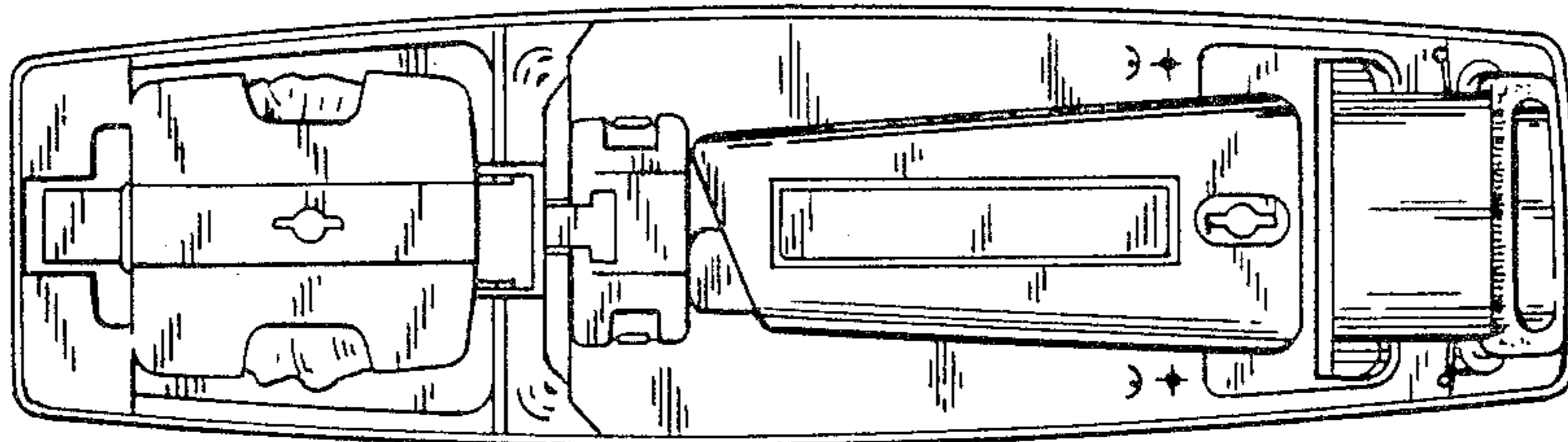


FIG. 6

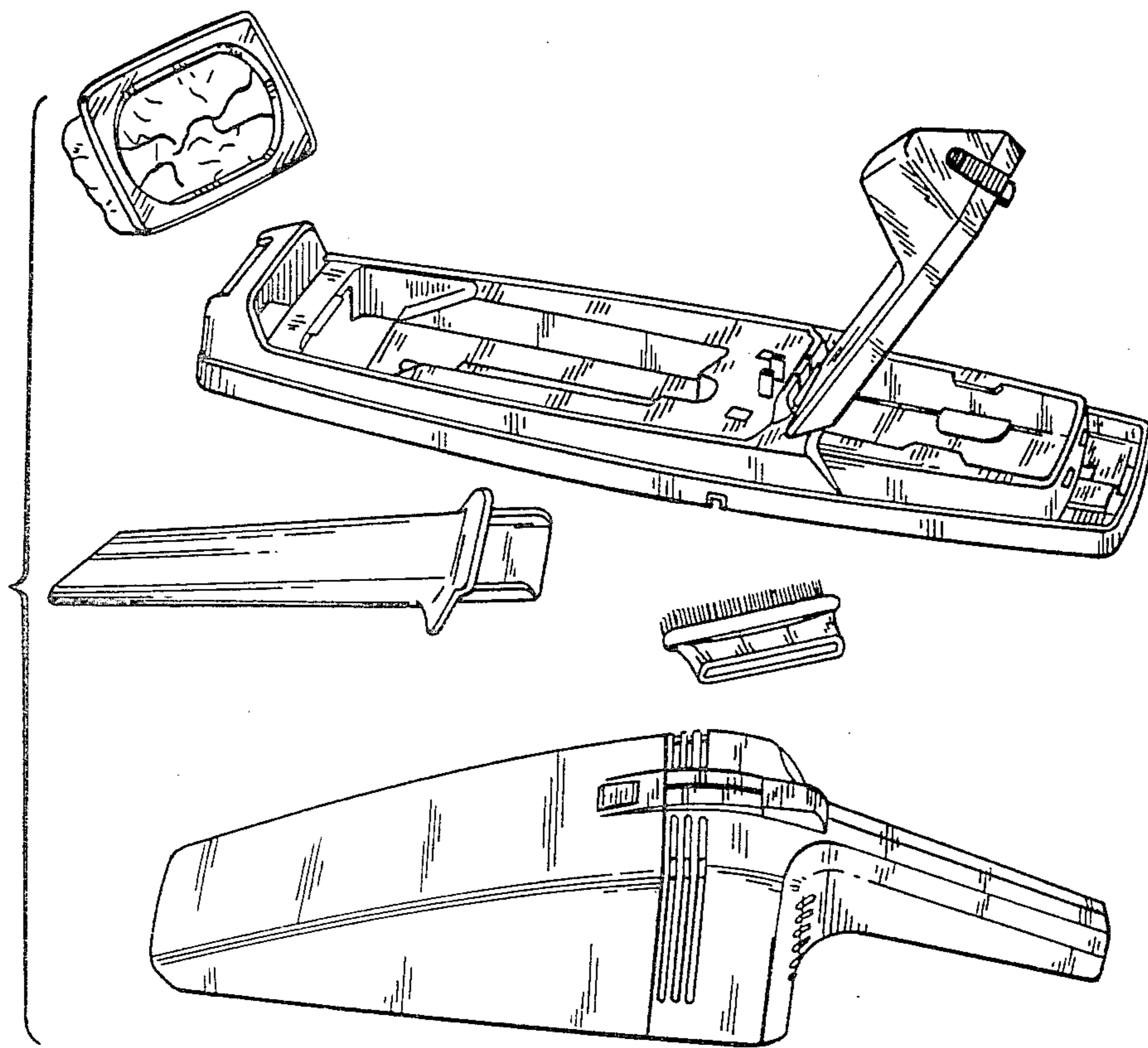


FIG. 7

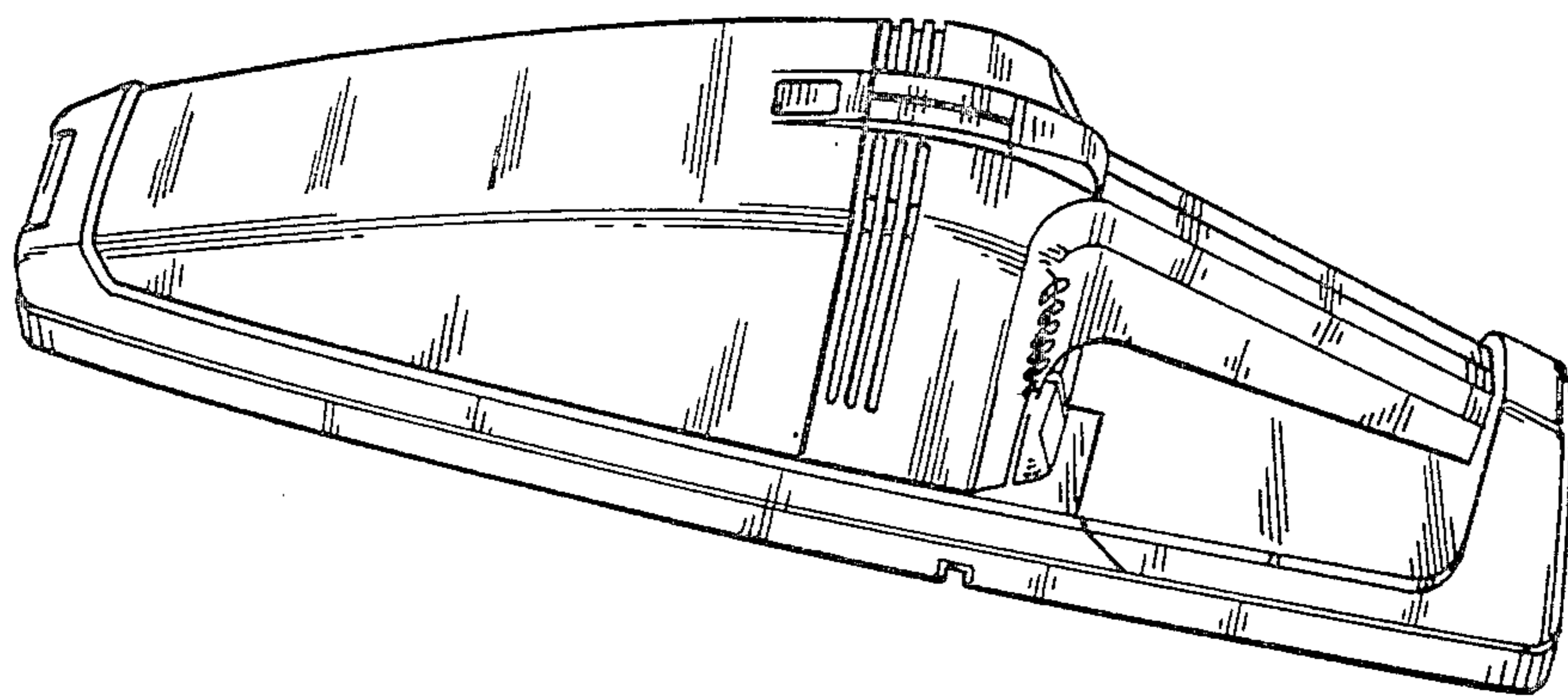


FIG. 8

FIG. 9

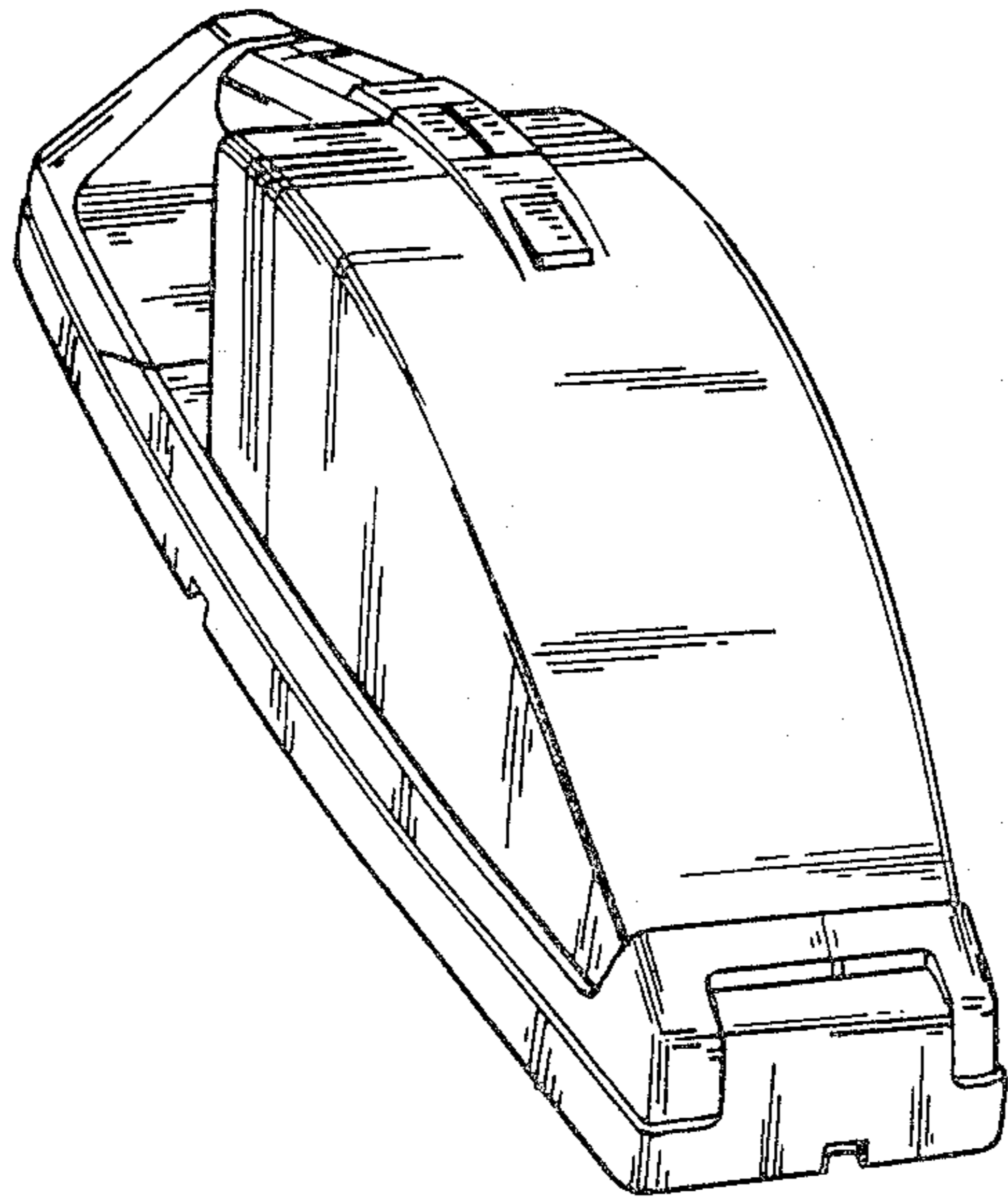
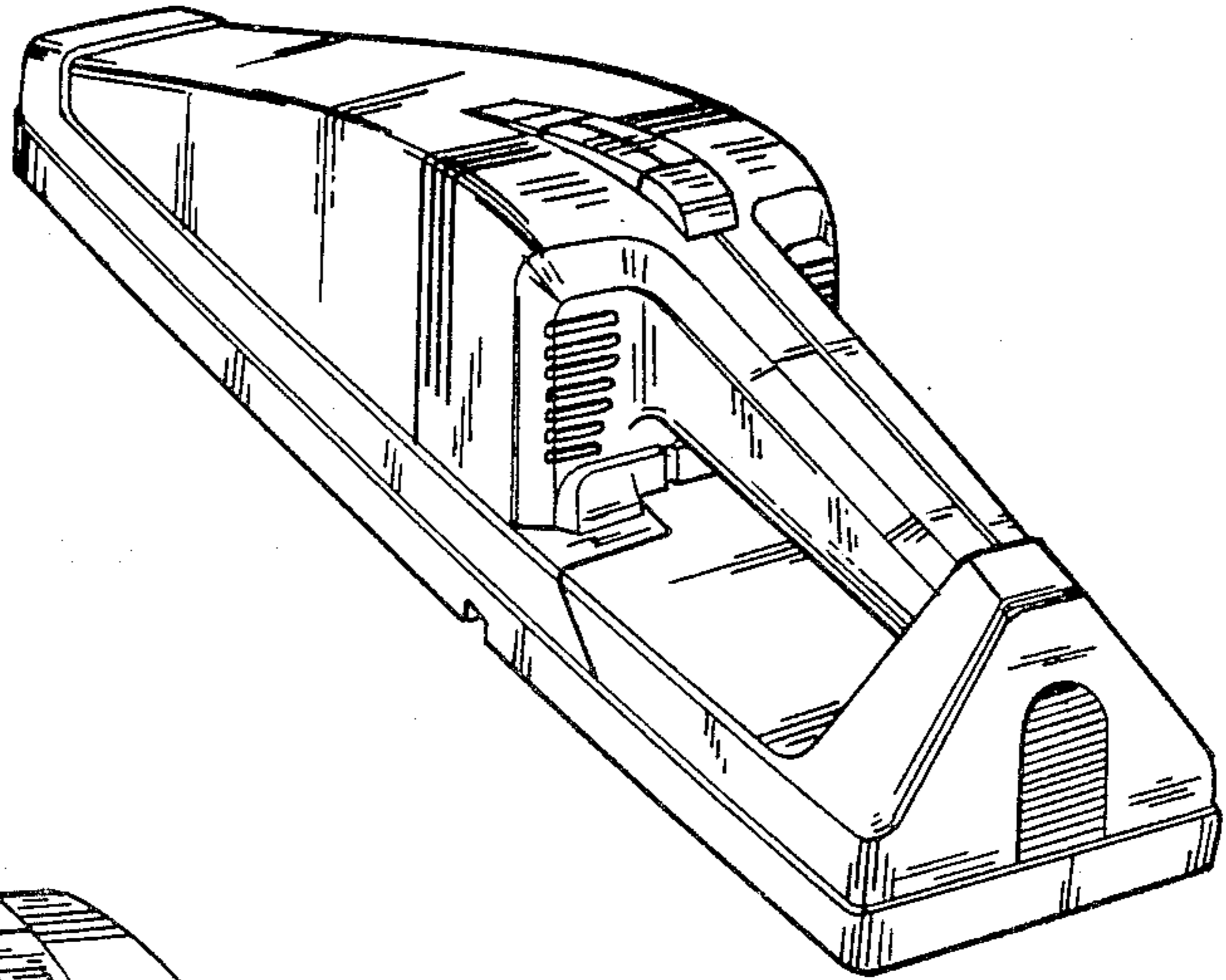
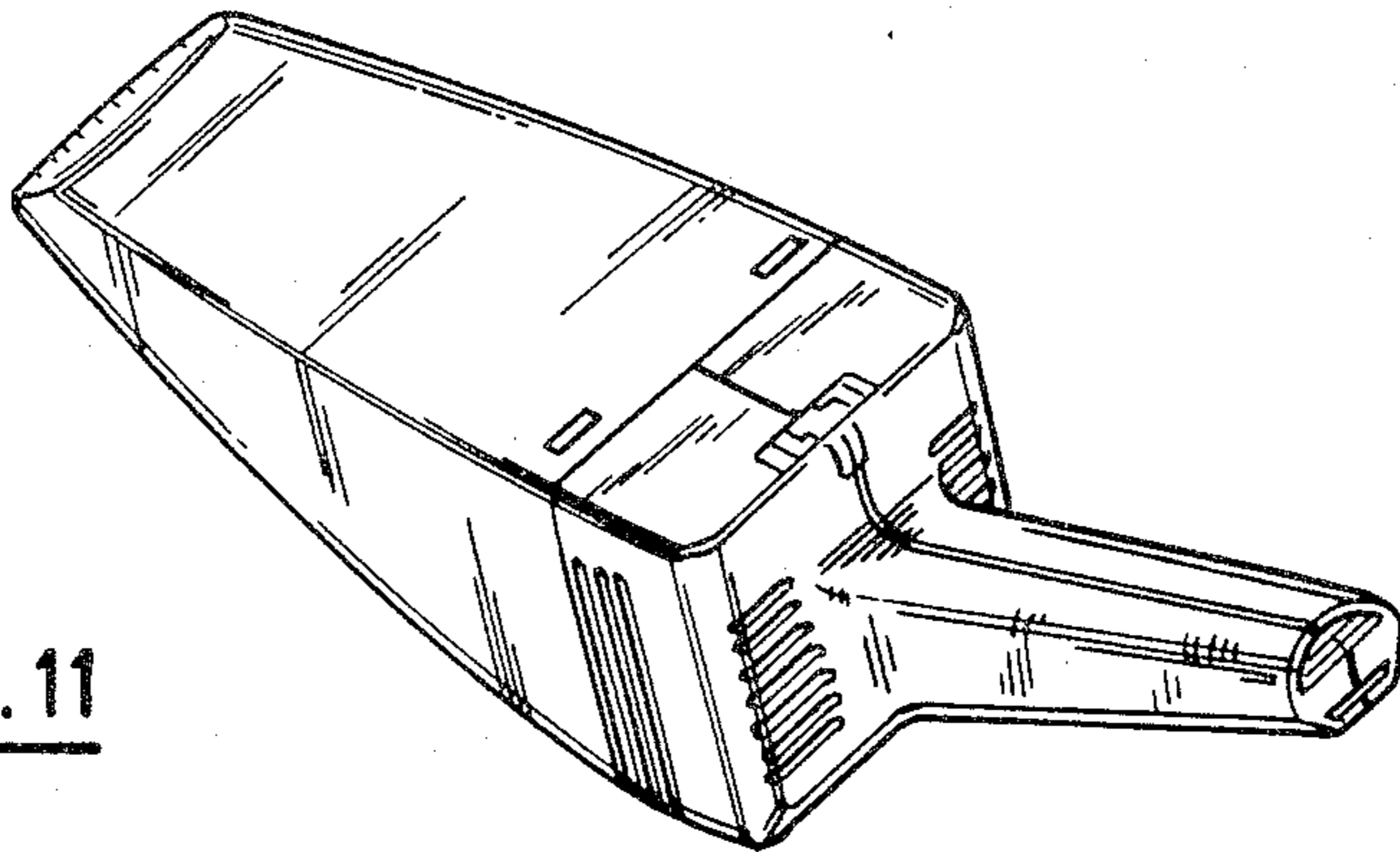


FIG. 10

FIG. 11



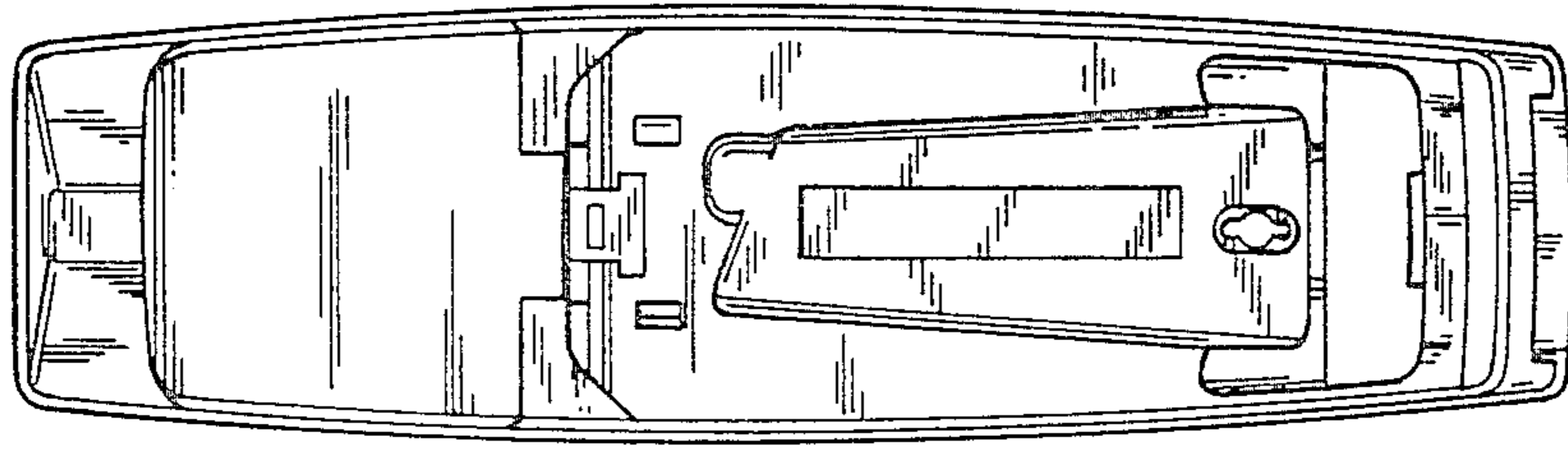


FIG. 12

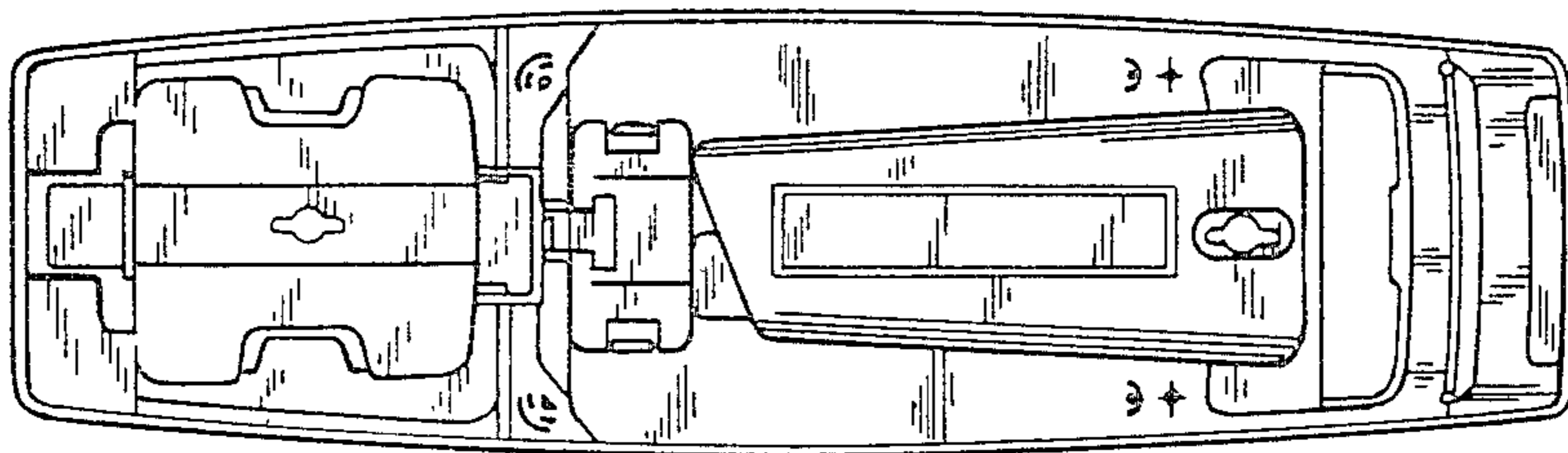


FIG. 13

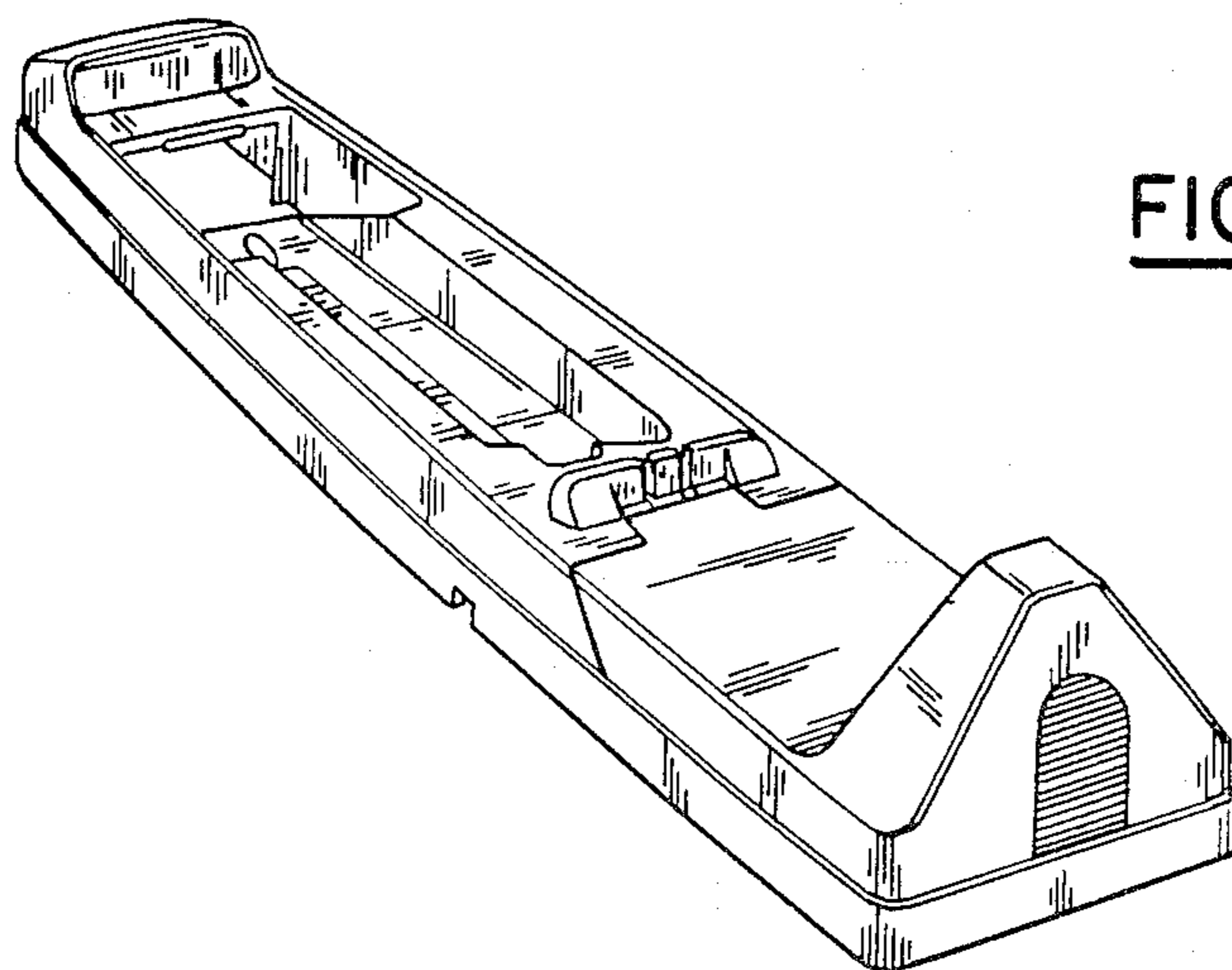


FIG. 14

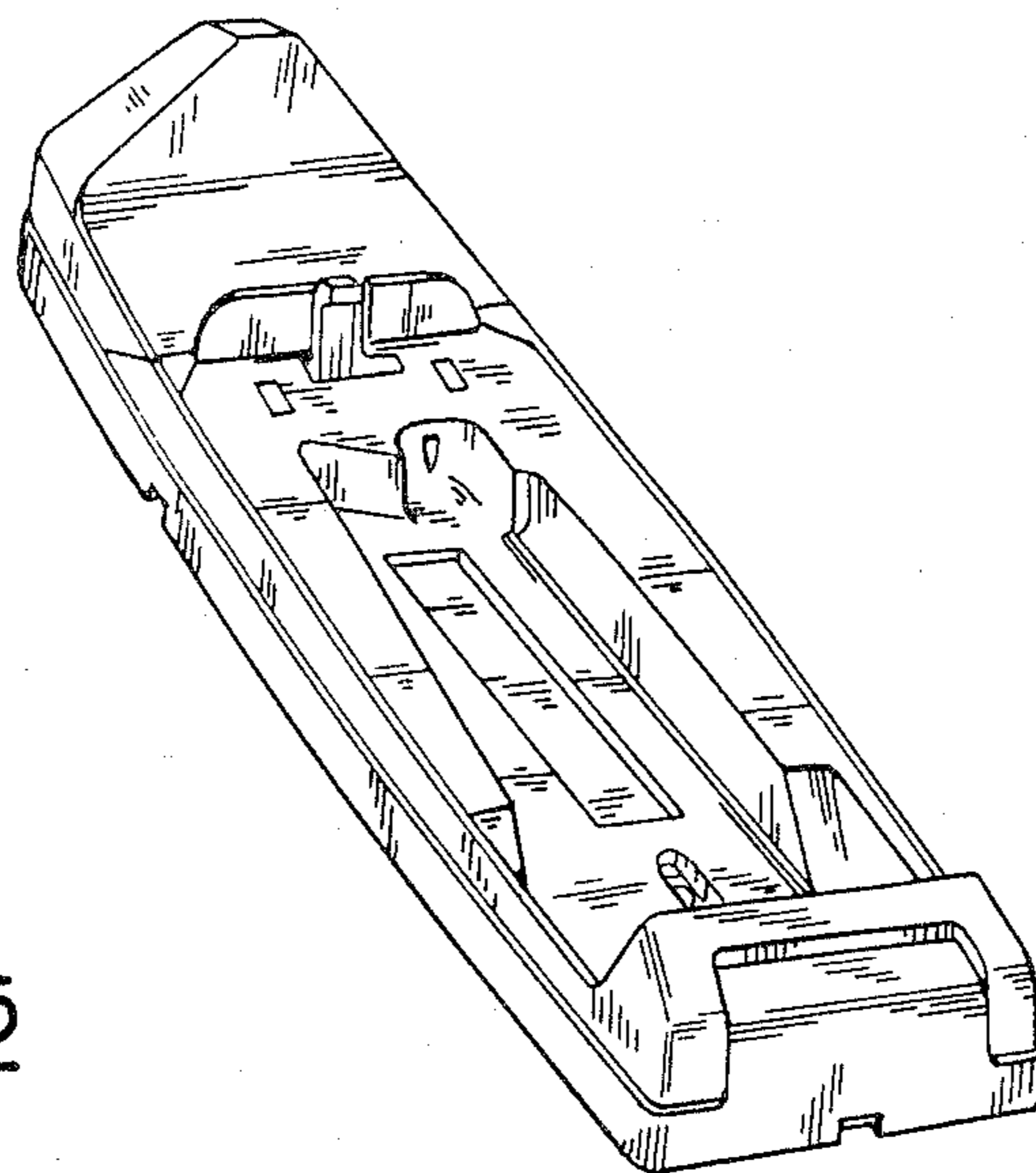


FIG. 15