

[54] FIRELESS ASHTRAY

[76] Inventor: Eulice E. Faulkenberry, 4922 E. Admiral Pl., Tulsa, Okla. 74112

[**] Term: 14 Years

[21] Appl. No.: 695,275

[22] Filed: Jan. 28, 1985

[52] U.S. Cl. D27/8; D27/27; D27/28; D27/29

[58] Field of Search D27/8-29; 131/231, 235.1, 240.1, 242

[56] References Cited

U.S. PATENT DOCUMENTS

D. 142,130	8/1945	Swofford	131/235.1	X
D. 165,705	1/1952	Albert	D27/29	
D. 175,044	6/1955	Rodefled	D27/27	
D. 228,036	7/1973	Hollister	D27/9	X
2,731,020	1/1956	Hall	131/235.1	

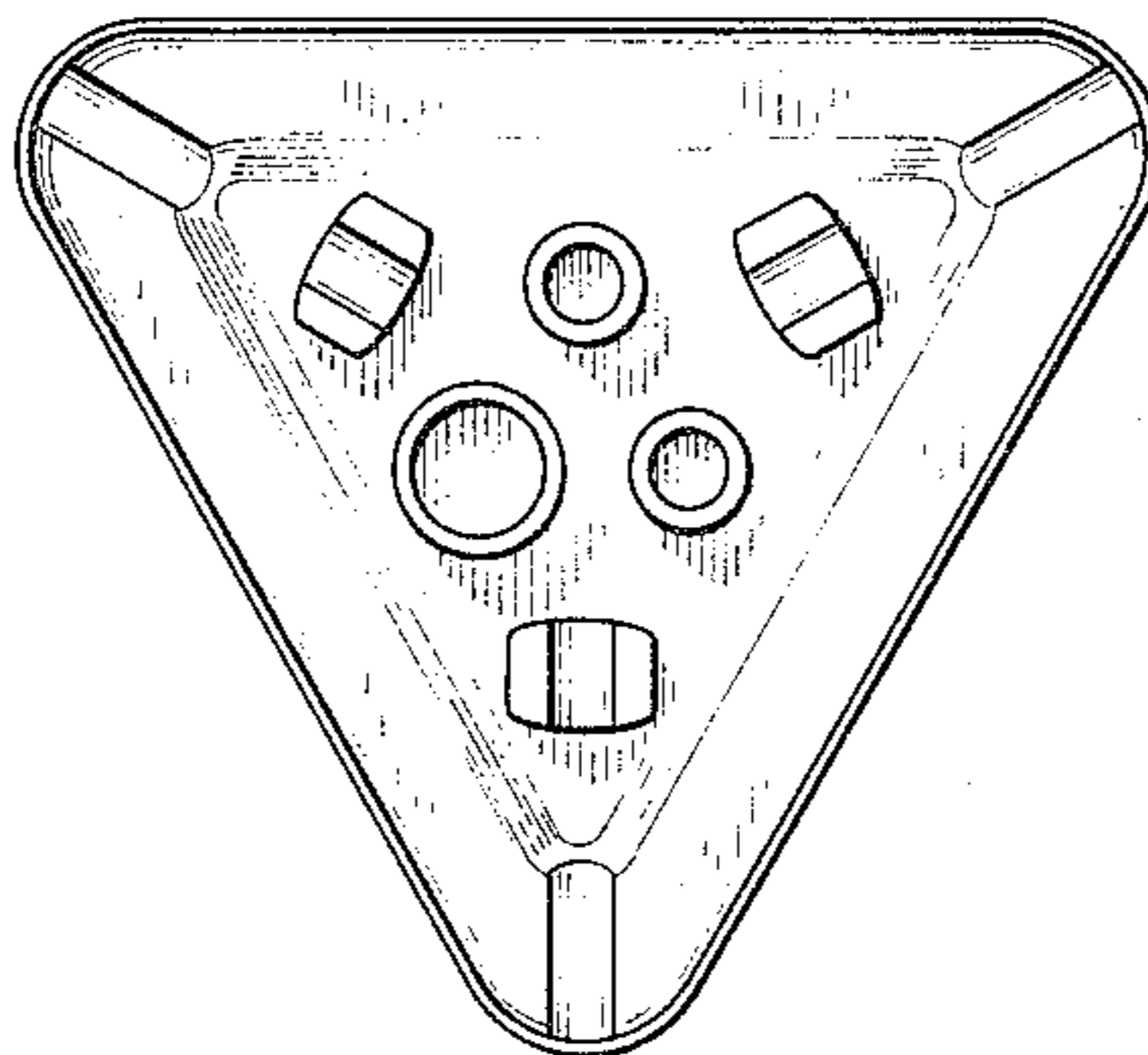
Primary Examiner—Catherine E. Kemper
Attorney, Agent, or Firm—Head, Johnson & Stevenson

[57] CLAIM

The ornamental design for a fireless ashtray, as shown and described.

DESCRIPTION

FIG. 1 is a top plan view of the fireless ashtray showing my design;
 FIG. 2 is a front elevational view;
 FIG. 3 is a rear elevational view;
 FIG. 4 is a right hand side elevational view, the left hand side being a mirror image thereof;
 FIG. 5 is a bottom plan view thereof;
 FIG. 6 is a top plan view of a second embodiment of a fireless ashtray;
 FIG. 7 is a front elevational view, the rear, right and left hand views being identical thereto;
 FIG. 8 is a bottom plan view;
 FIG. 9 is a top plan view of a third embodiment of a fireless ashtray;
 FIG. 10 is a front elevational view, the rear elevational view being identical;
 FIG. 11 is a bottom plan view;
 FIG. 12 is a right hand side elevational view, the left hand side being identical.



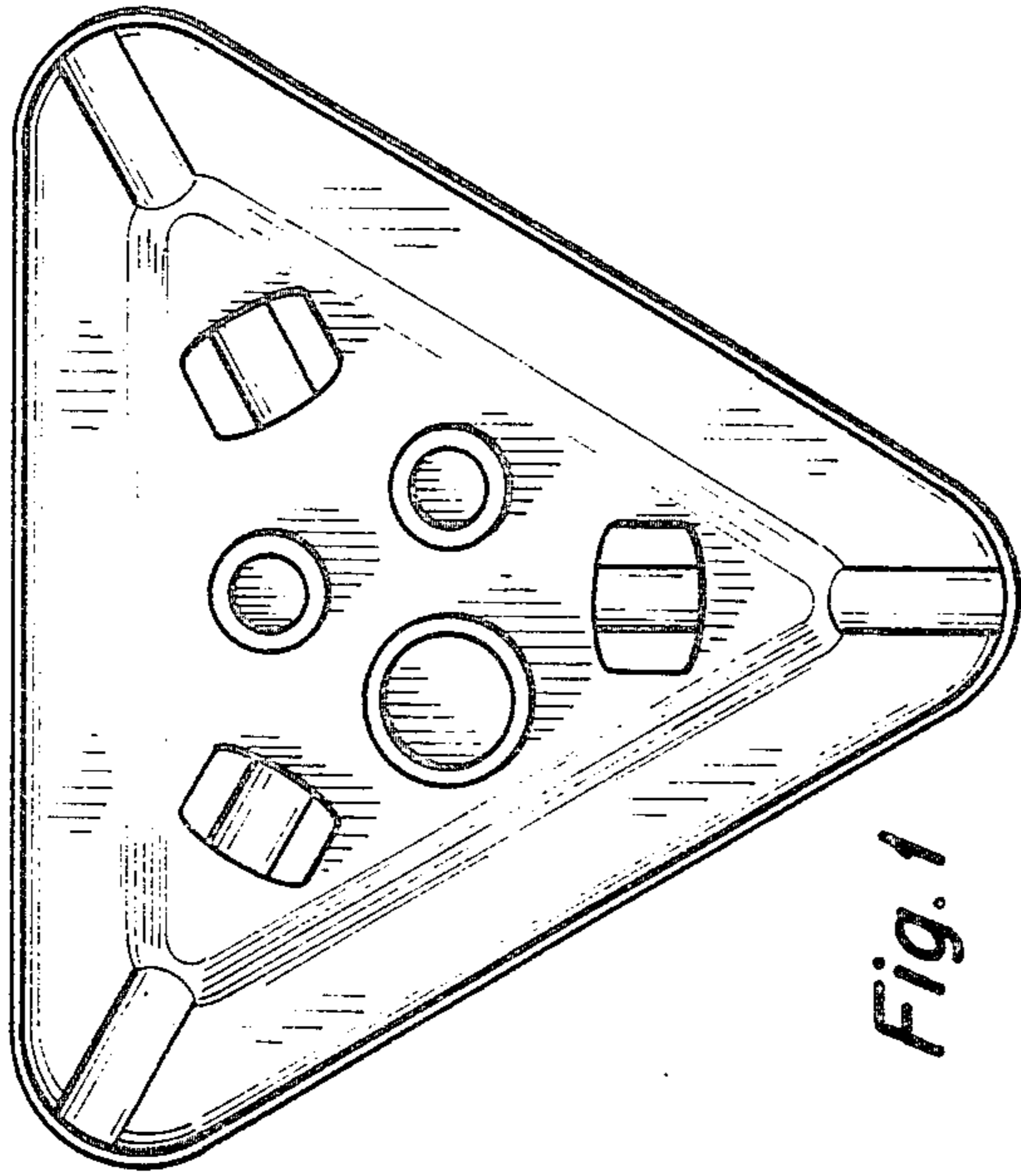


Fig. 1

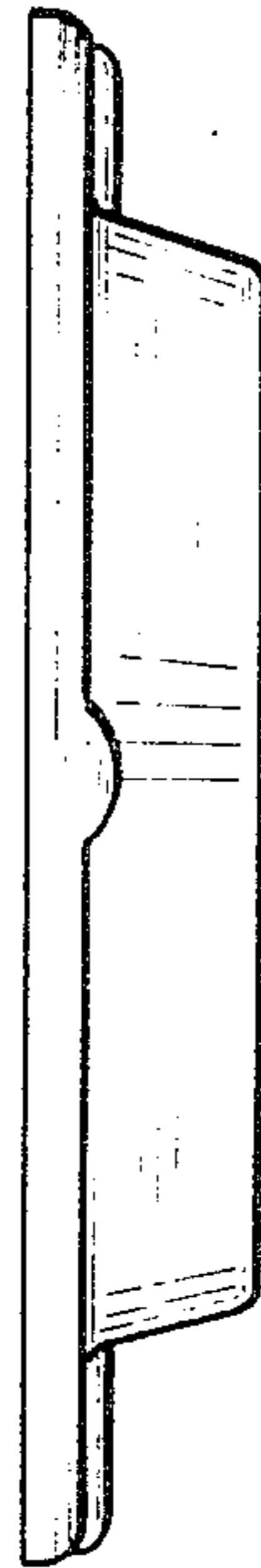


Fig. 2



Fig. 3



Fig. 4

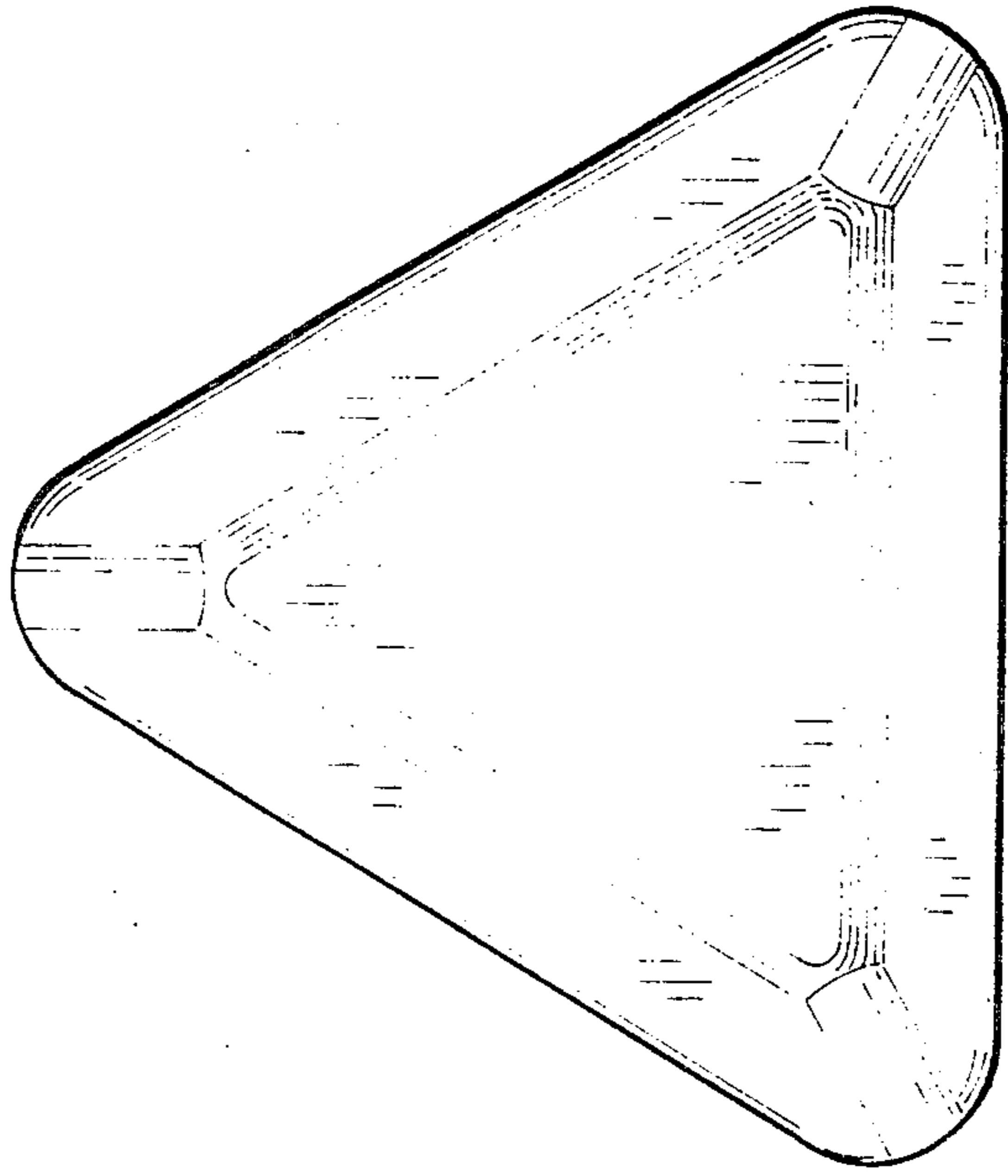


Fig. 5

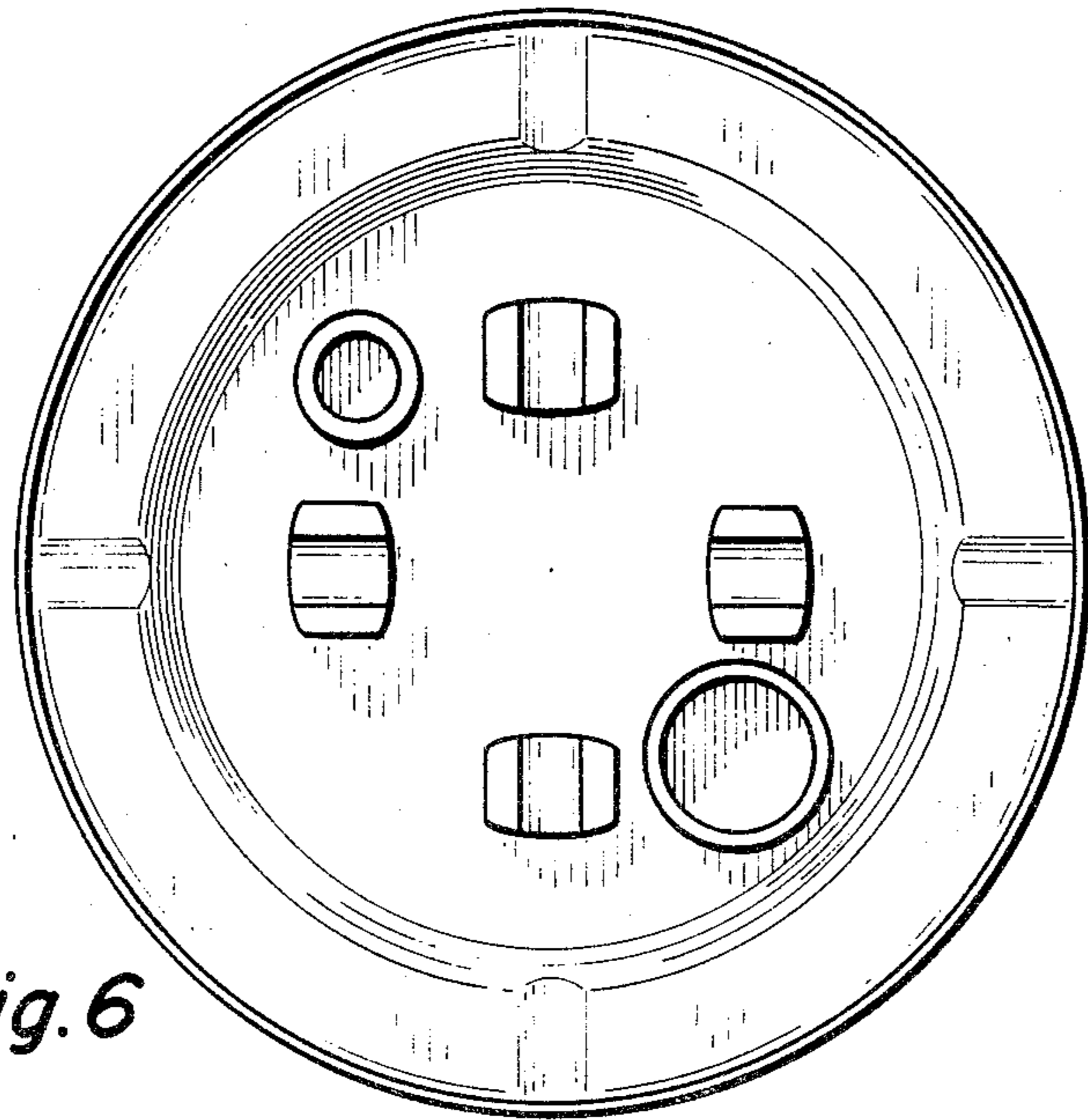


Fig. 6

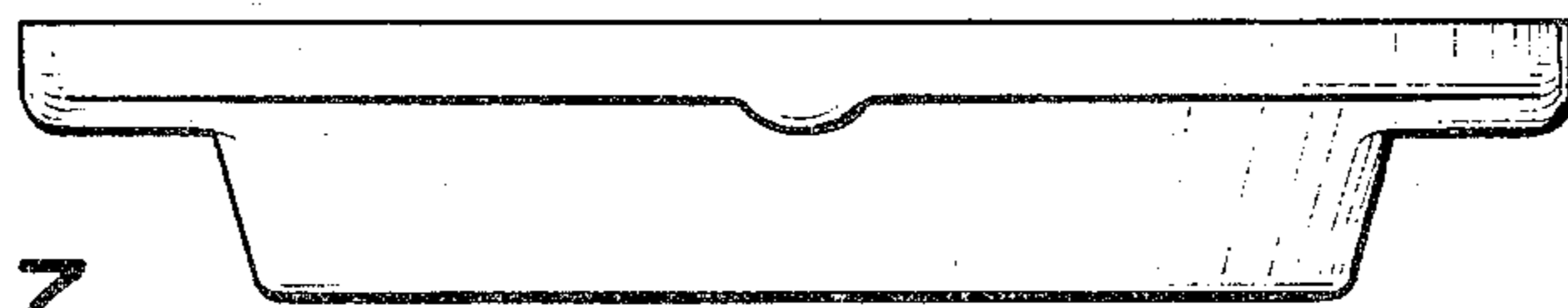


Fig. 7

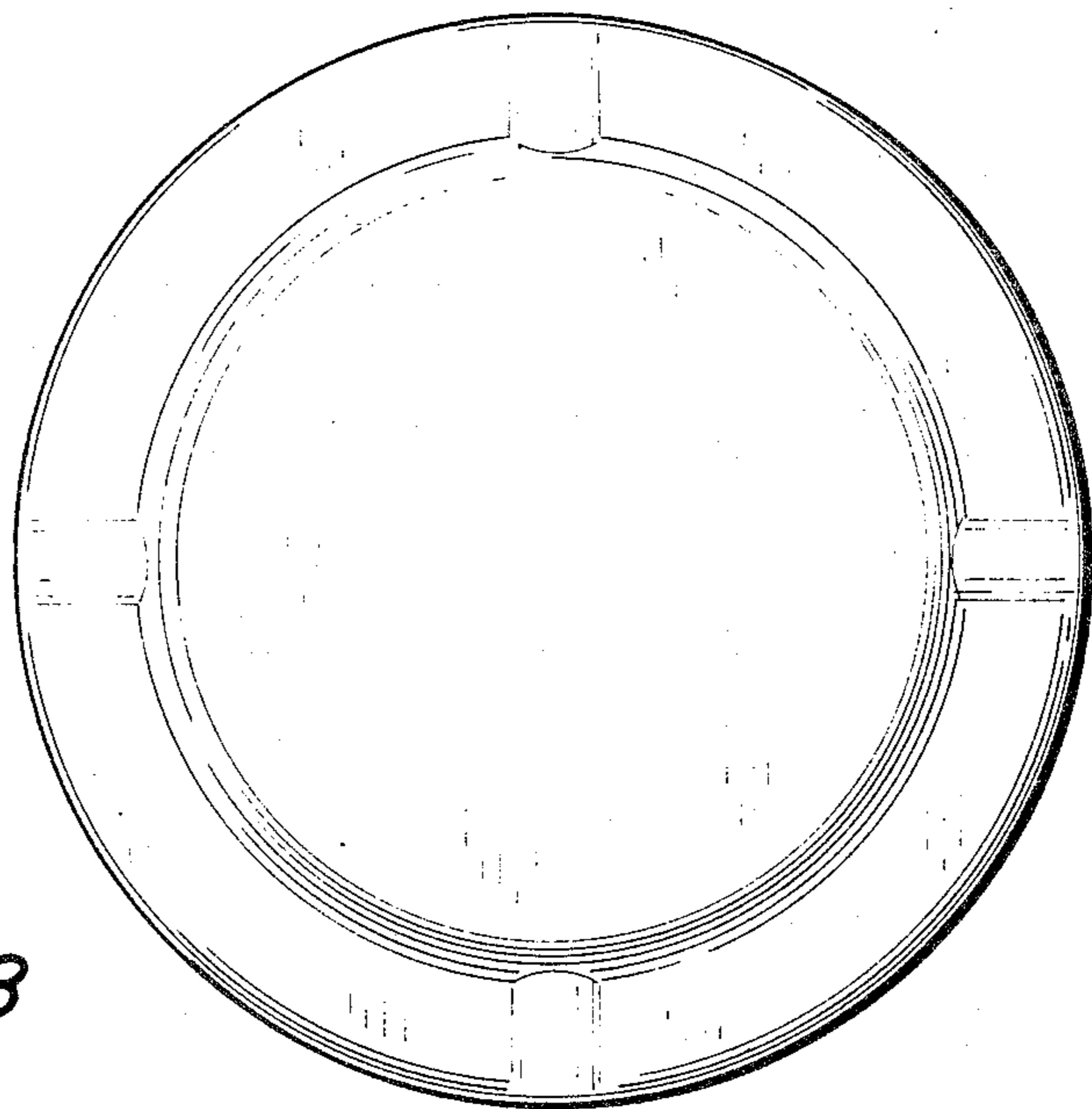


Fig. 8

Fig. 9

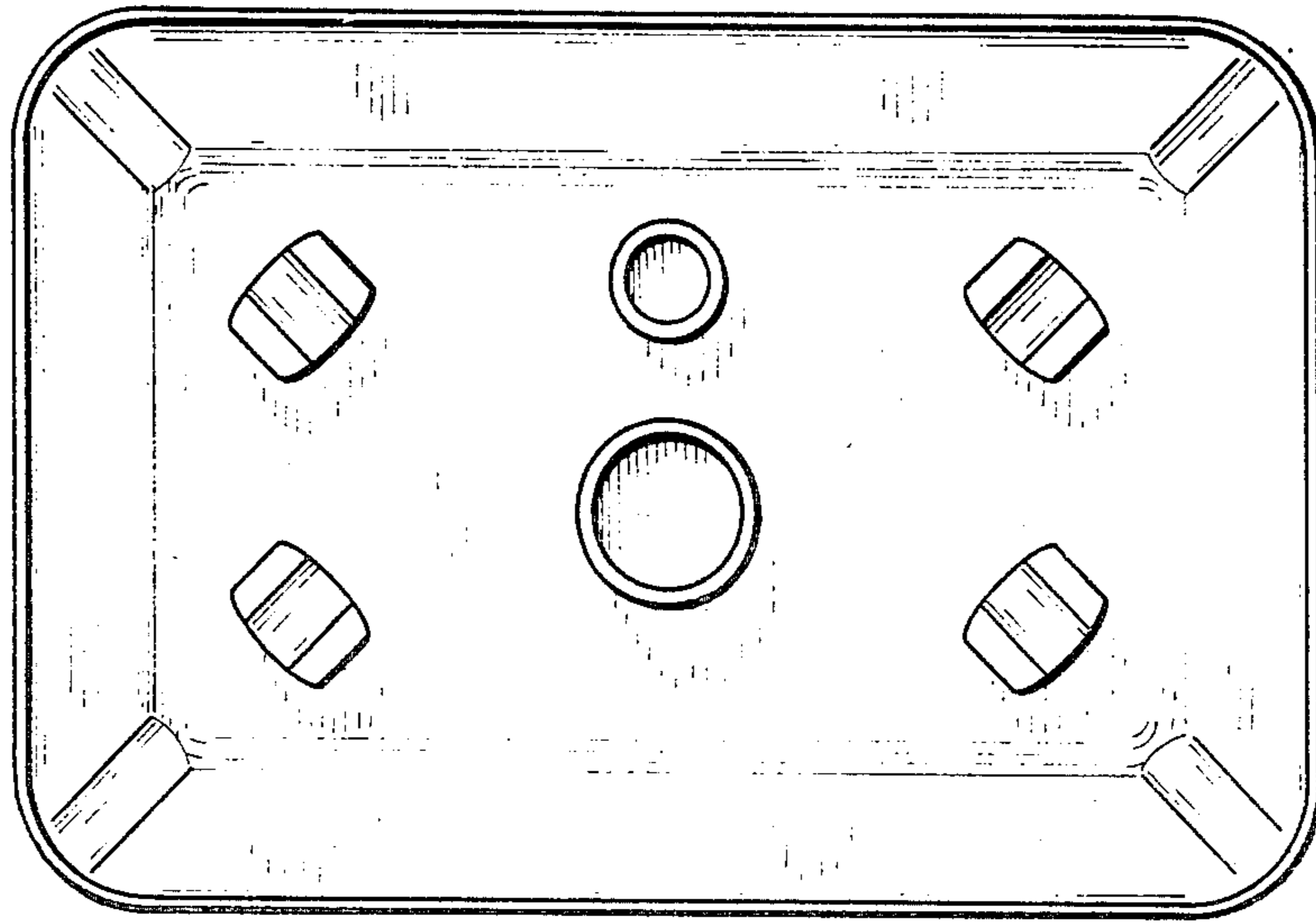


Fig. 10

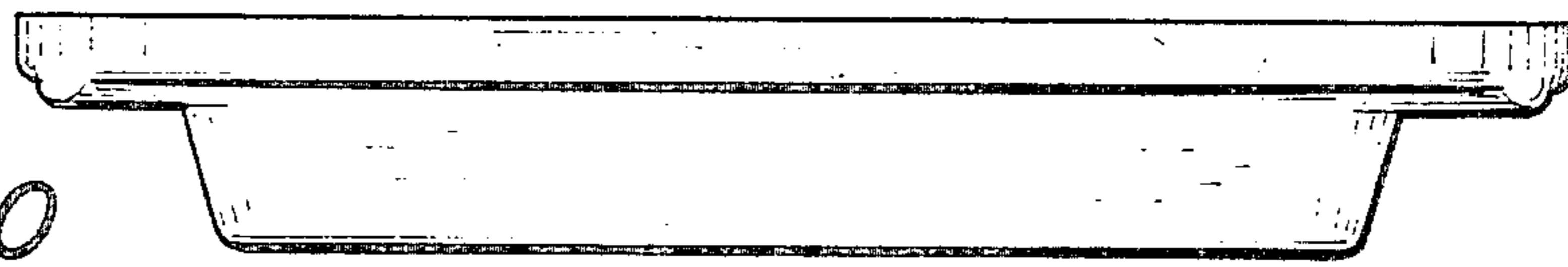


Fig. 11

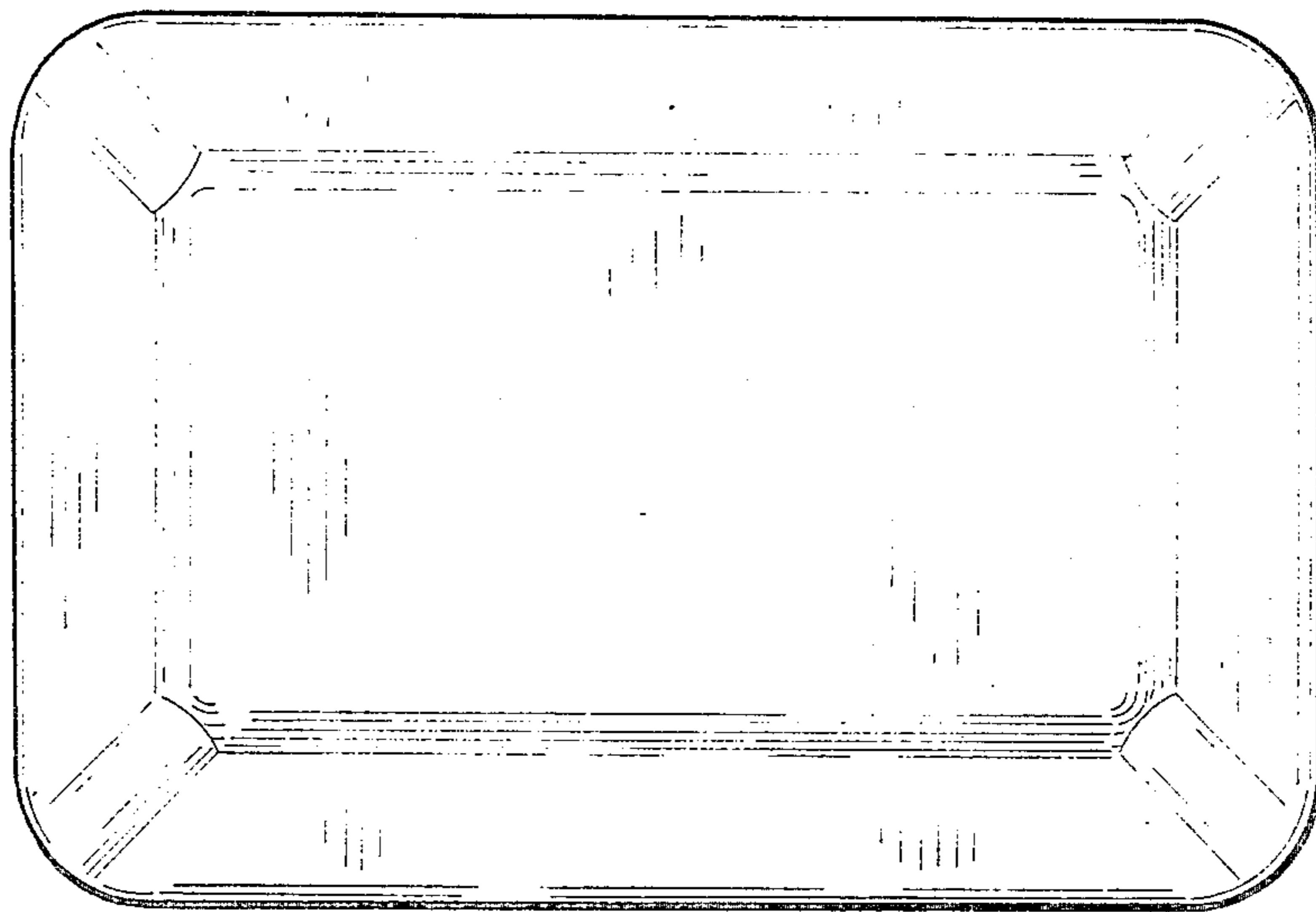


Fig. 12

