

[54] COMBINATION DEODORIZER AND LIGHT

- [75] Inventors: **Kenneth J. Jonas**, Hartford, Wis.;  
**Ralph M. Lazar**, Skokie, Ill.; **David W. Wolbrink**, Hartford, Wis.
- [73] Assignee: **Broan Mfg. Co., Inc.**, Hartford, Wis.
- [\*\*] Term: **14 Years**
- [21] Appl. No.: **539,255**
- [22] Filed: **Oct. 5, 1983**
- [52] U.S. Cl. .... **D26/51; D23/140; D23/150; D26/59; D26/72**
- [58] Field of Search ..... **D26/51, 59, 72, 75-79, D26/80-88, 121, 123, 124; D23/140, 151, 149, 150; 362/33, 149, 92, 216, 217, 218, 220, 222, 223, 404; 98/40.7**

[56] **References Cited**

**U.S. PATENT DOCUMENTS**

D. 196,618	10/1963	Hammes	.....	D26/123	X
D. 221,181	7/1971	Bobrick	.....	D26/85	
D. 271,042	10/1983	Giannola	.....	D26/51	
3,780,260	12/1973	Elsner	.....	362/92	X

**OTHER PUBLICATIONS**

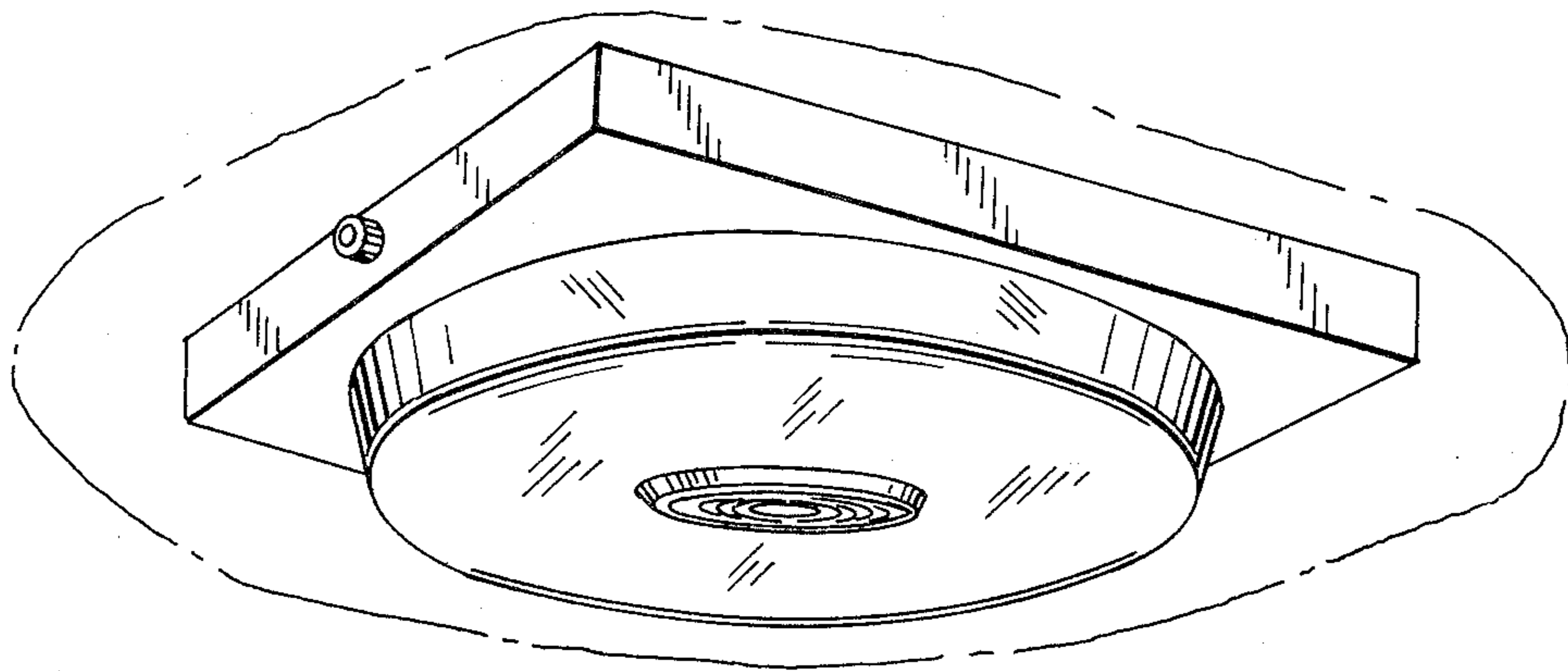
Thomas Lighting Catalog, ©1980, p. 84, Ceiling Lamp #R-216W.  
 Thomas Lighting Catalog, ©1980, p. 147, Louvered Trim #R321-3; #323-3.  
*Primary Examiner*—Susan J. Lucas  
*Attorney, Agent, or Firm*—Andrus, Scales, Starke & Sawall

[57] **CLAIM**

The ornamental design for a combination deodorizer and light, as shown and described.

**DESCRIPTION**

FIG. 1 is a perspective view of the combined deodorizer and light showing our new design, the ceiling shown in broken lines for illustrative purposes only; FIG. 2 is a bottom plan view thereof on an enlarged scale with respect to FIG. 1; FIG. 3 is a left side elevational view on an enlarged scale with respect to FIG. 1; and FIG. 4 is a front side elevational view thereof on an enlarged scale with respect to FIG. 1.



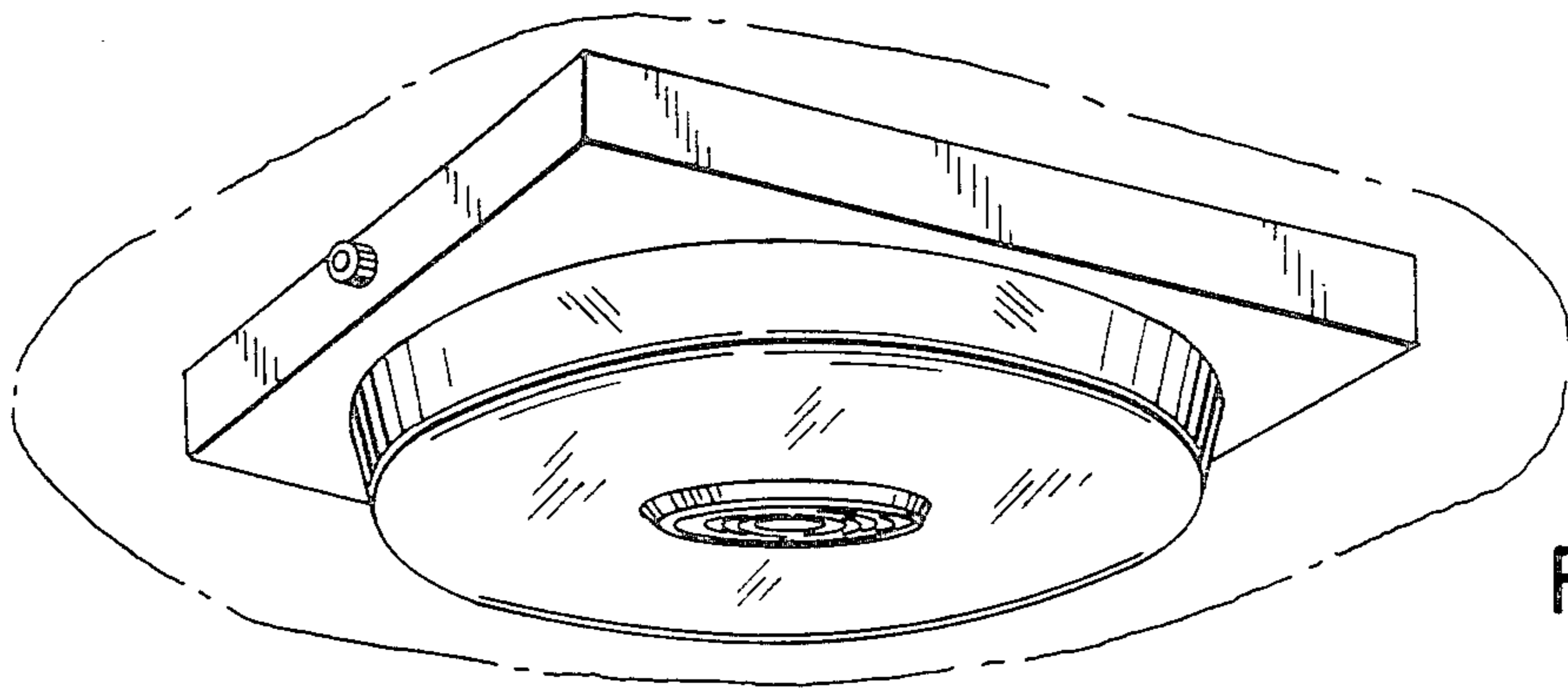


FIG. 1

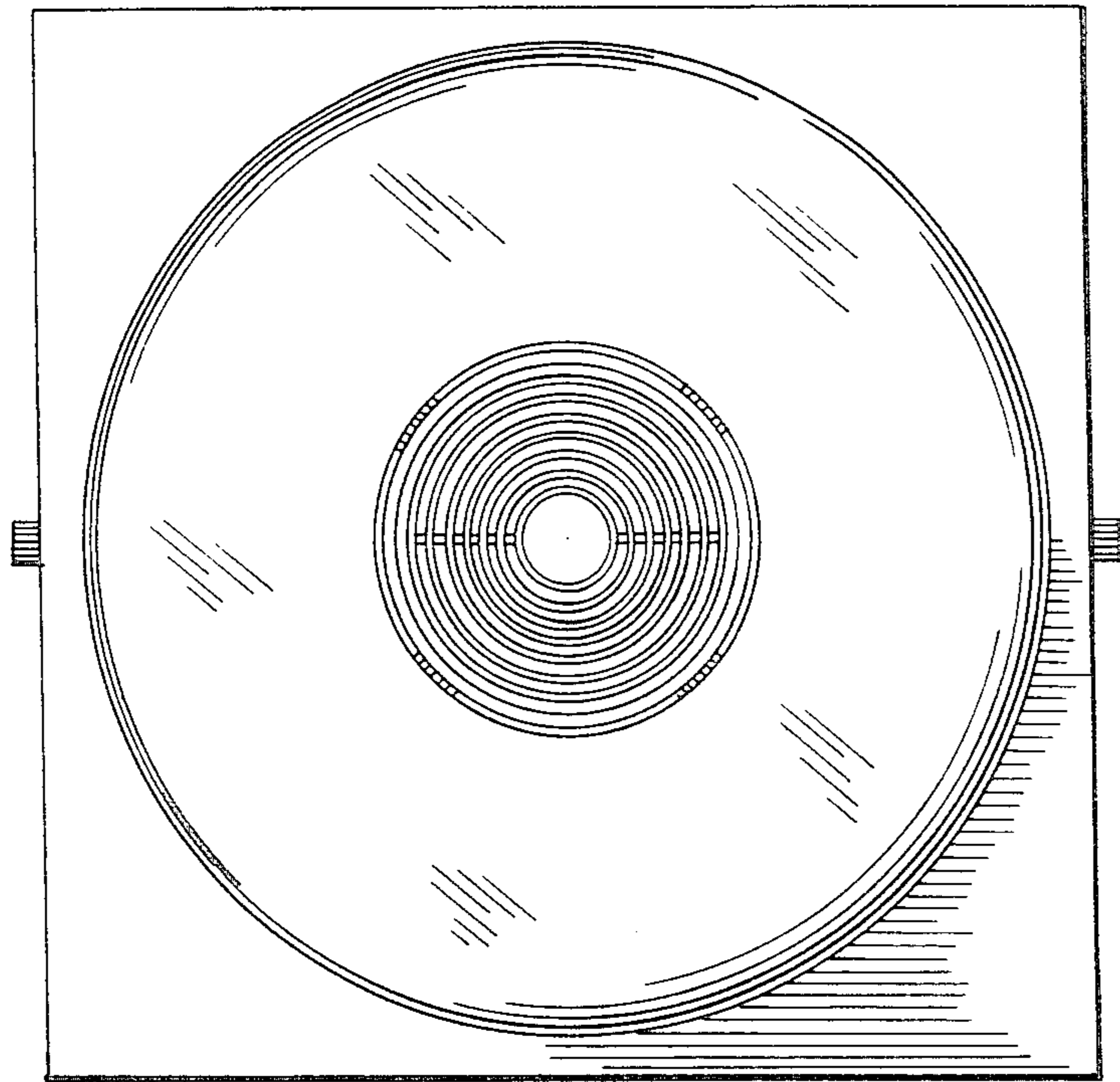


FIG. 2

FIG. 3

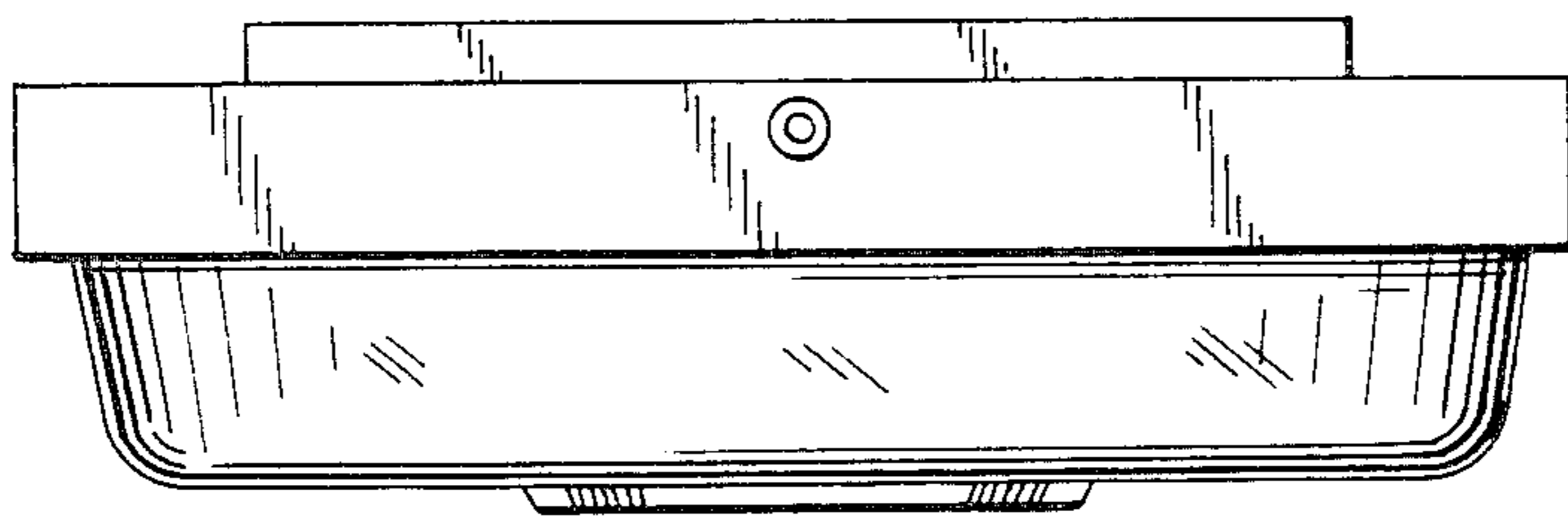


FIG. 4

