

[54] **NEEDLE HUB**

[75] **Inventors:** Dean M. Glash, McHenry; Robert J. Kruger, Arlington Heights; Steven L. Olson, McHenry, all of Ill.; Richard L. West, Salem, Wis.

[73] **Assignee:** Baxter Travenol Laboratories, Inc., Deerfield, Ill.

[*] **Notice:** The portion of the term of this patent subsequent to Jan. 20, 2001 has been disclaimed.

[**] **Term:** 14 Years

[21] **Appl. No.:** 485,370

[22] **Filed:** Apr. 15, 1983

[52] **U.S. Cl.** D24/61

[58] **Field of Search** D24/24, 25, 26, 27, D24/29, 52, 53, 546, 99; 604/4-7, 52, 53, 32, 43; 128/346, 348.1, DIG. 1, DIG. 13, DIG. 26, 214, 214.4, 207.15

[56] **References Cited**

U.S. PATENT DOCUMENTS

- 2,175,726 10/1939 Gebauer 128/207.15
- 2,564,977 8/1951 Quang 604/32
- 3,923,065 12/1975 Nozick et al. 128/348.1

- 3,948,270 4/1976 Hasson 128/348.1
- 4,037,599 7/1977 Raulerson 604/4
- 4,134,402 1/1979 Mahurkar .
- 4,193,399 3/1980 Robinson .
- 4,195,637 4/1980 Grüntzig et al. 128/348.1
- 4,203,436 5/1980 Grimsrud .
- 4,403,983 9/1983 Edelman et al. .
- 4,531,935 7/1985 Berryessa 604/53

Primary Examiner—Wallace R. Burke
Assistant Examiner—Brian N. Vinson
Attorney, Agent, or Firm—Paul C. Flattery; Bradford R. L. Price; Daniel D. Ryan

[57] **CLAIM**

The ornamental design for a needle hub, as shown and described.

DESCRIPTION

FIG. 1 is a perspective side view of a needle hub showing our new design;
FIG. 2 is a right side elevation thereof, the left side being identical in appearance;
FIG. 3 is a front elevation thereof;
FIG. 4 is a rear elevation thereof;
FIG. 5 is a top plan view thereof; and
FIG. 6 is a bottom plan view thereof.
The broken line showing of the needle in FIG. 1 is for illustrative purposes only and forms no part of the claimed design.

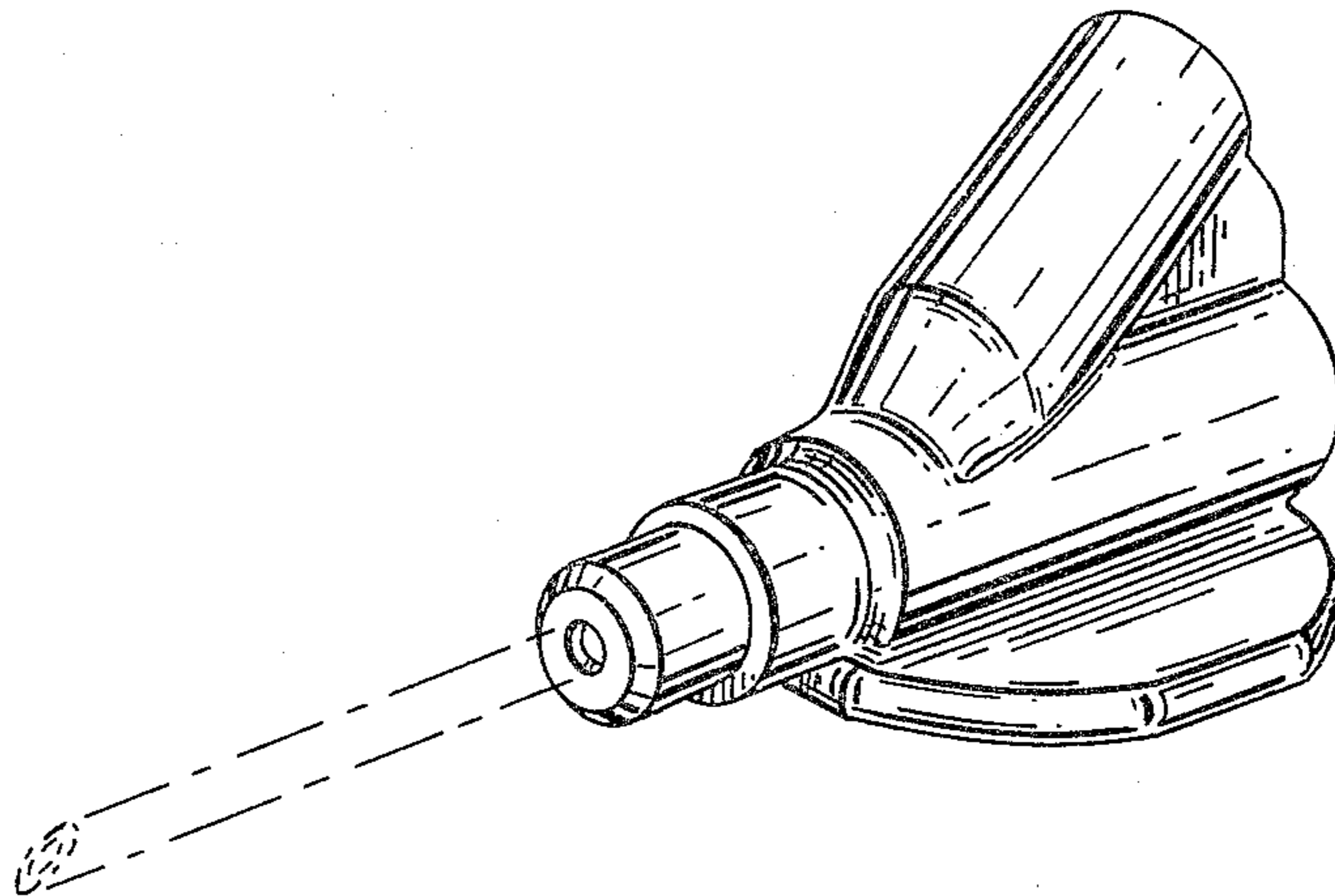


FIG. 1

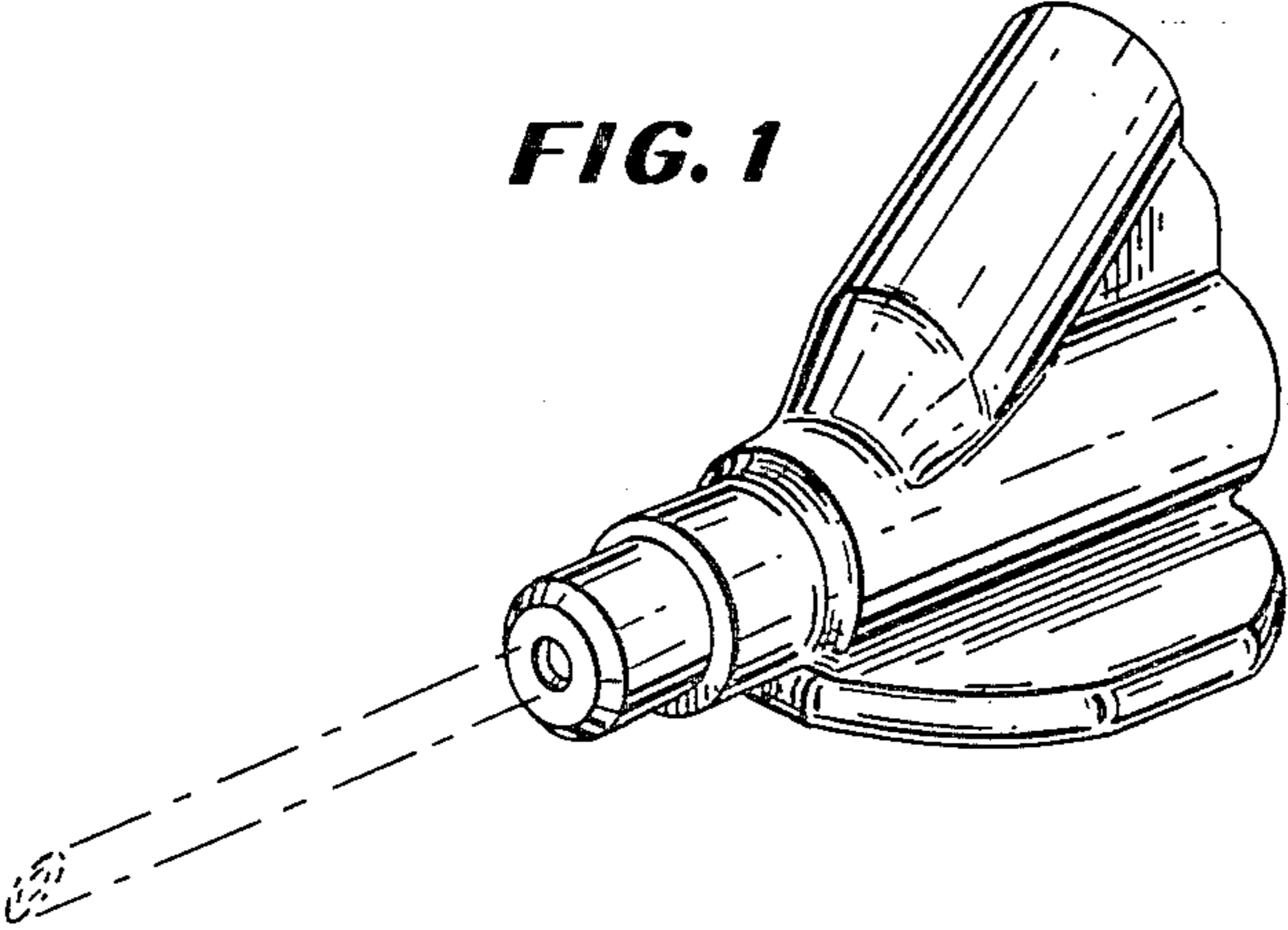


FIG. 2

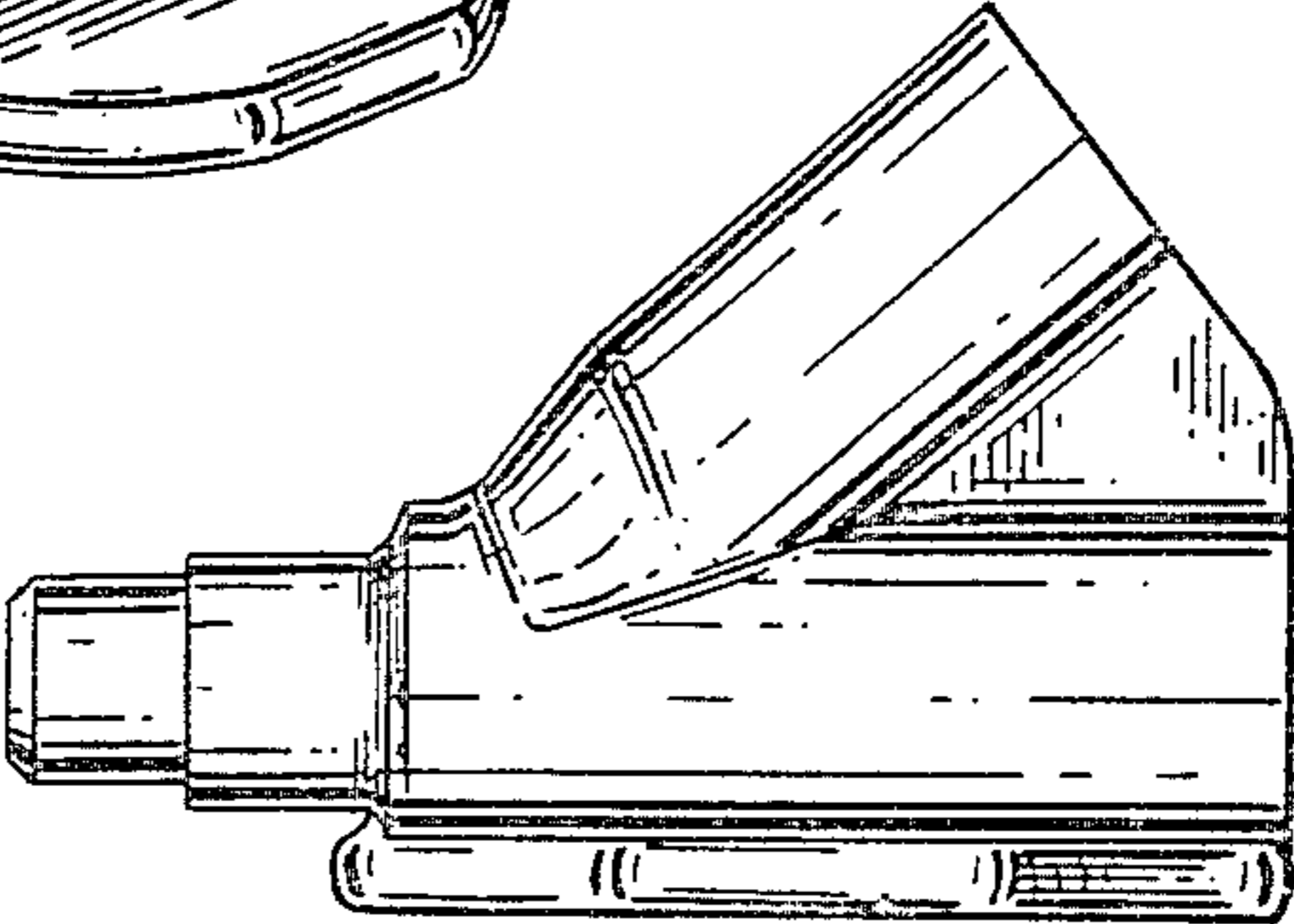


FIG. 3

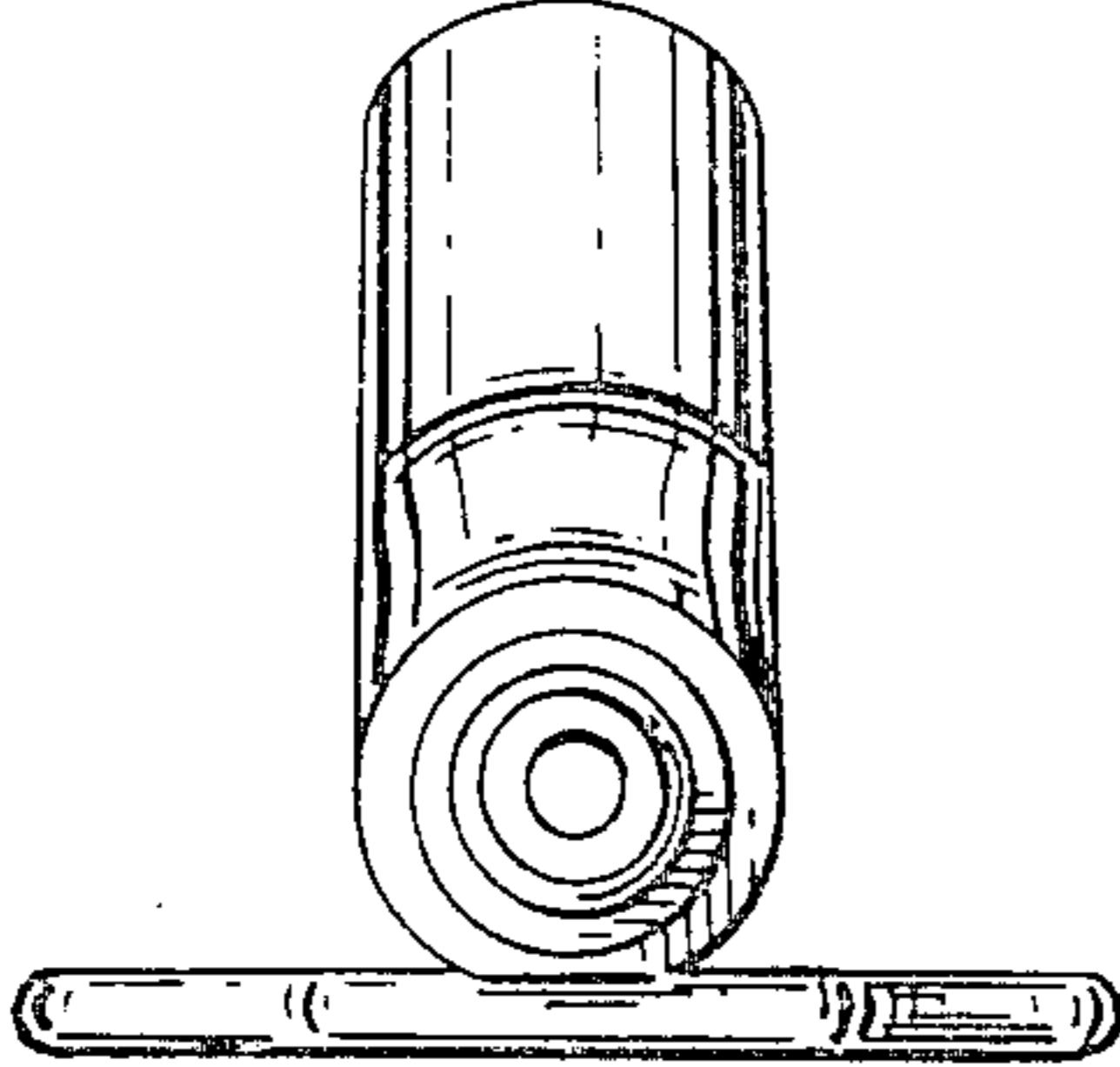


FIG. 4

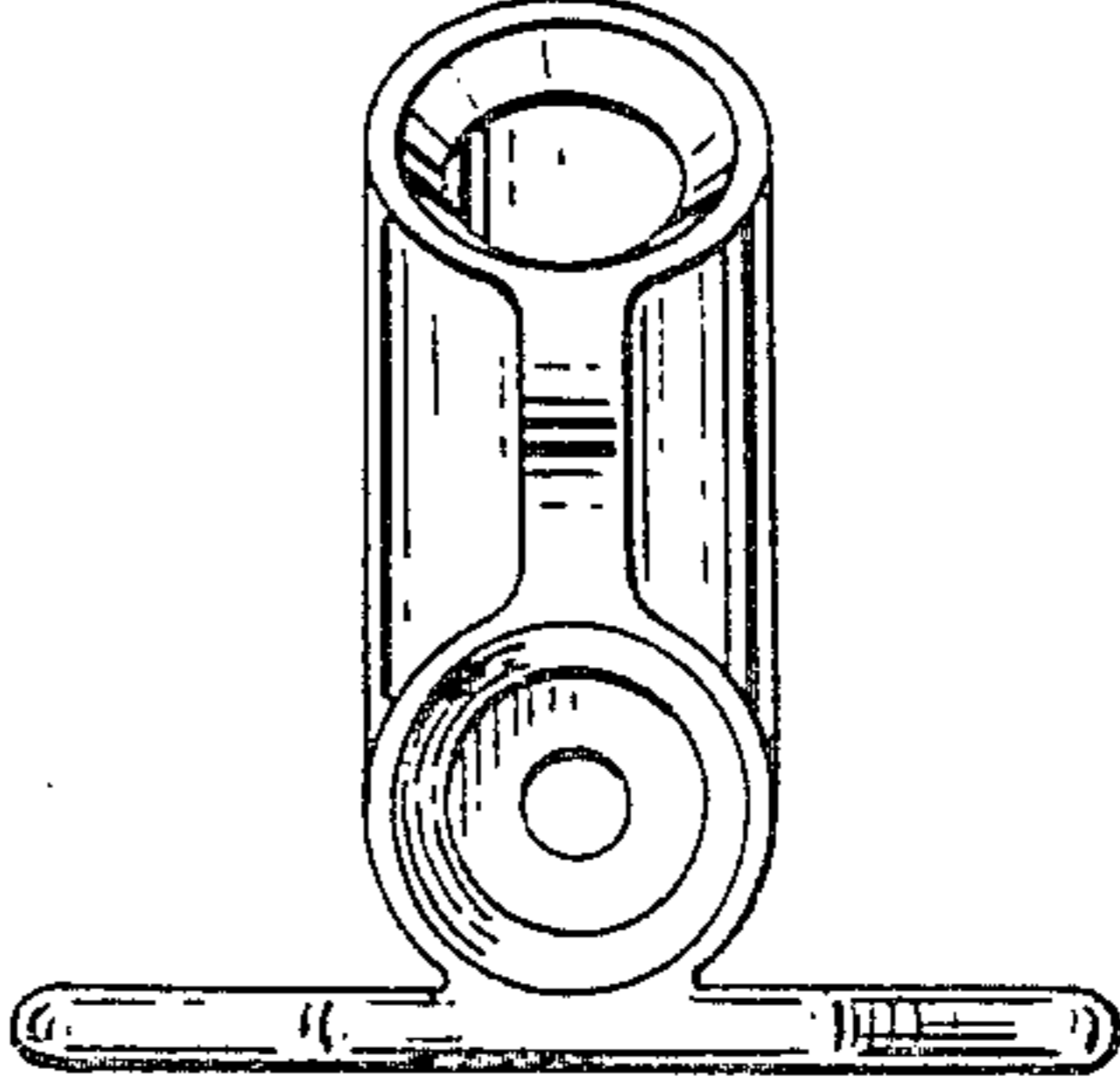


FIG. 5

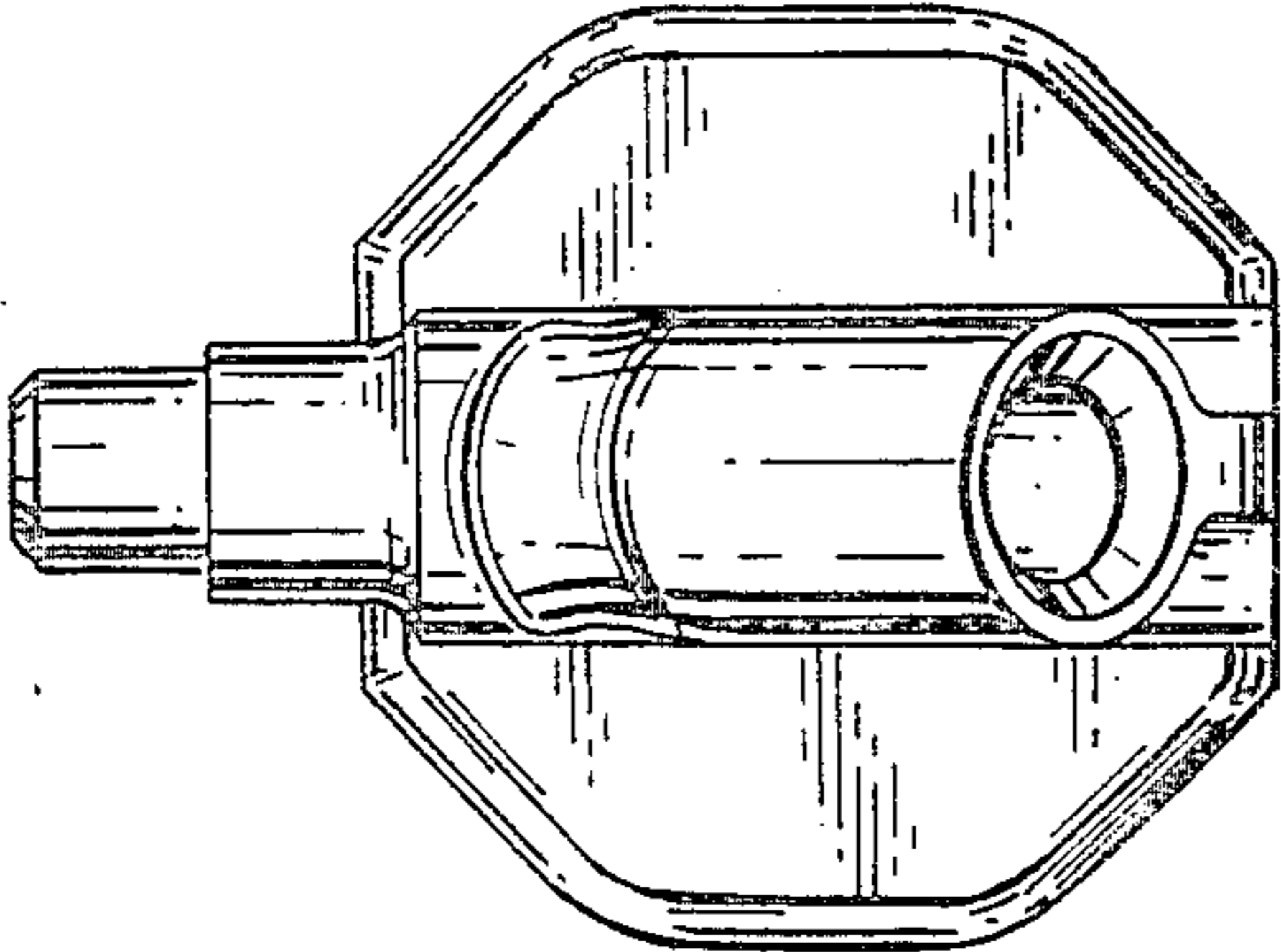


FIG. 6

