

[54] **DEVICE FOR COLLECTING AND REMOVING FIREPLACE ASHES**

[76] Inventor: **Chae Y. Chong**, 9602 Della Dr., Richmond, Va. 23233

[**] Term: **14 Years**

[21] Appl. No.: **716,464**

[22] Filed: **Mar. 27, 1985**

[52] U.S. Cl. **D23/131**

[58] Field of Search **D23/131, 138.2; D32/74; D34/7; 294/9, 49, 55; 209/417-419; 126/242-245; 15/275.1, 257.3, 257.4, 257.6, 257.9; 220/2**

462,067	10/1891	Schickler	126/242
1,596,824	8/1926	Fuller	209/419 X
2,529,965	11/1950	Rentz	126/242
4,536,023	8/1985	Sutter	294/9

Primary Examiner—Catherine E. Kemper
Attorney, Agent, or Firm—Norman B. Rainer

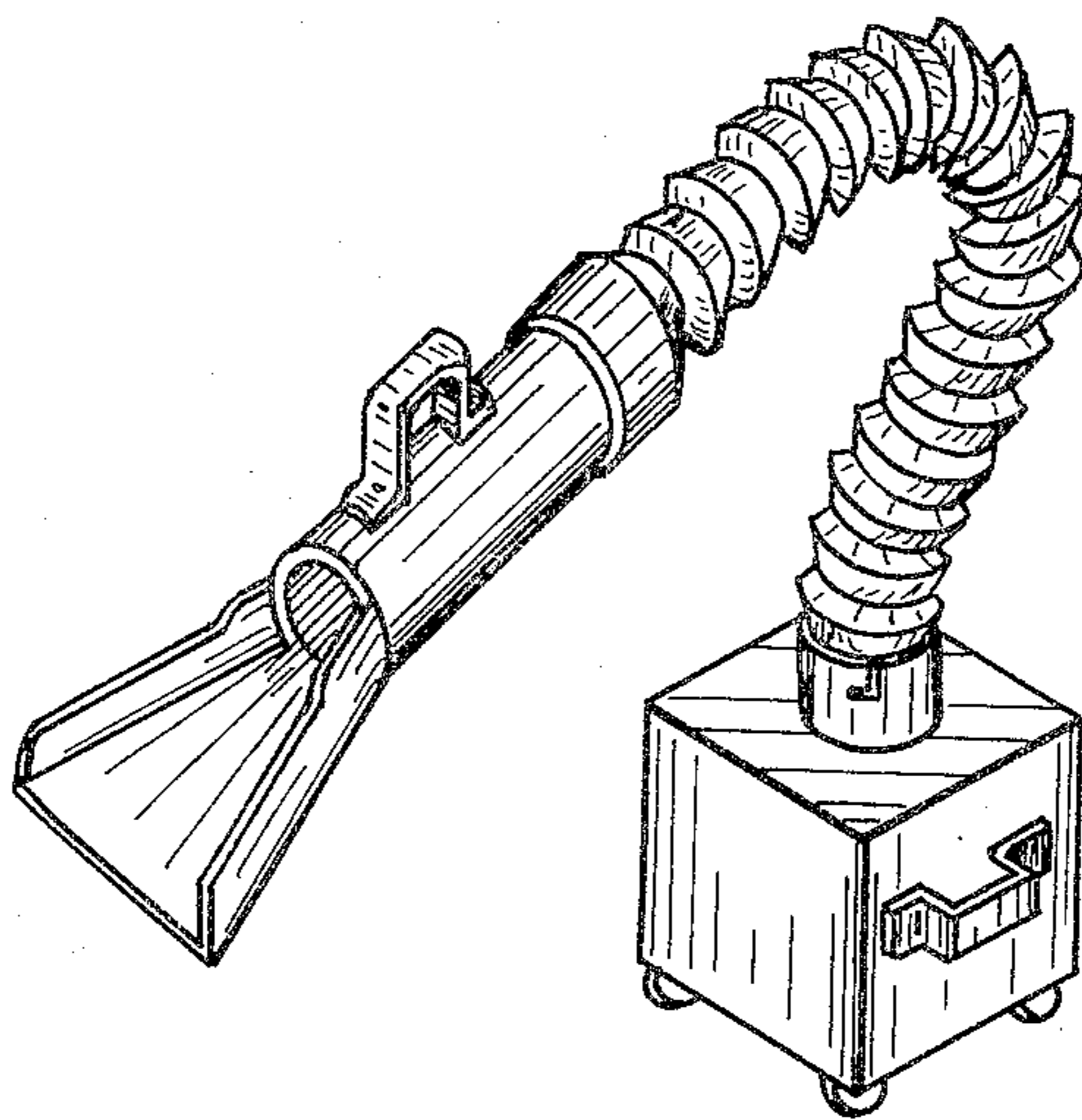
[57] **CLAIM**

The ornamental design for a device for collecting and removing fireplace ashes, substantially as shown and described.

DESCRIPTION

FIG. 1 is a perspective view of a device for collecting and removing fireplace ashes, showing my new design; FIG. 2 is a side view thereof. FIG. 3 is an end view thereof, taken from the left side of FIG. 2. FIG. 4 is a top plan view thereof.

[56] **References Cited**
U.S. PATENT DOCUMENTS
 D. 270,562 9/1983 Skeen D23/138.2



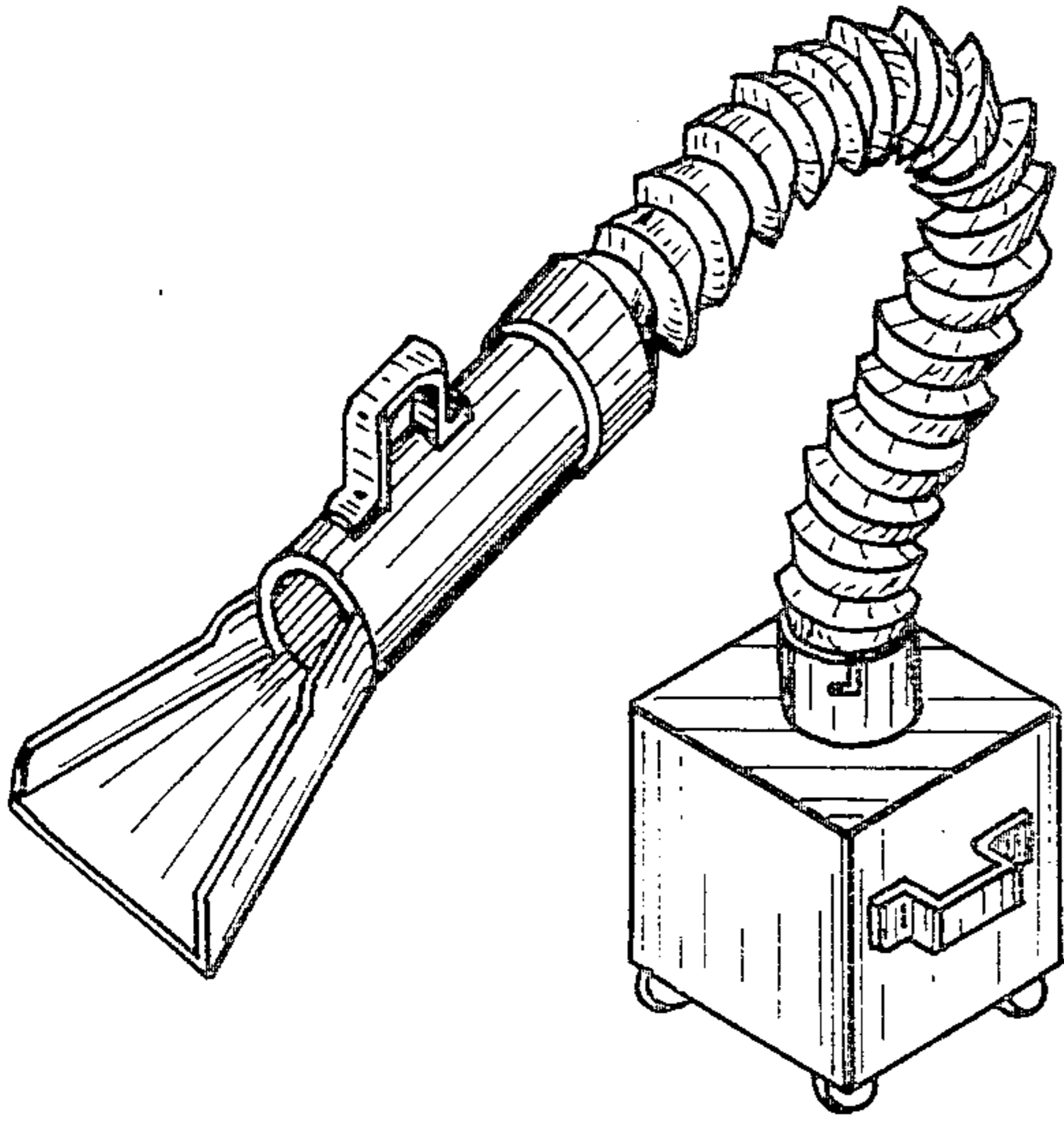


FIG. 1

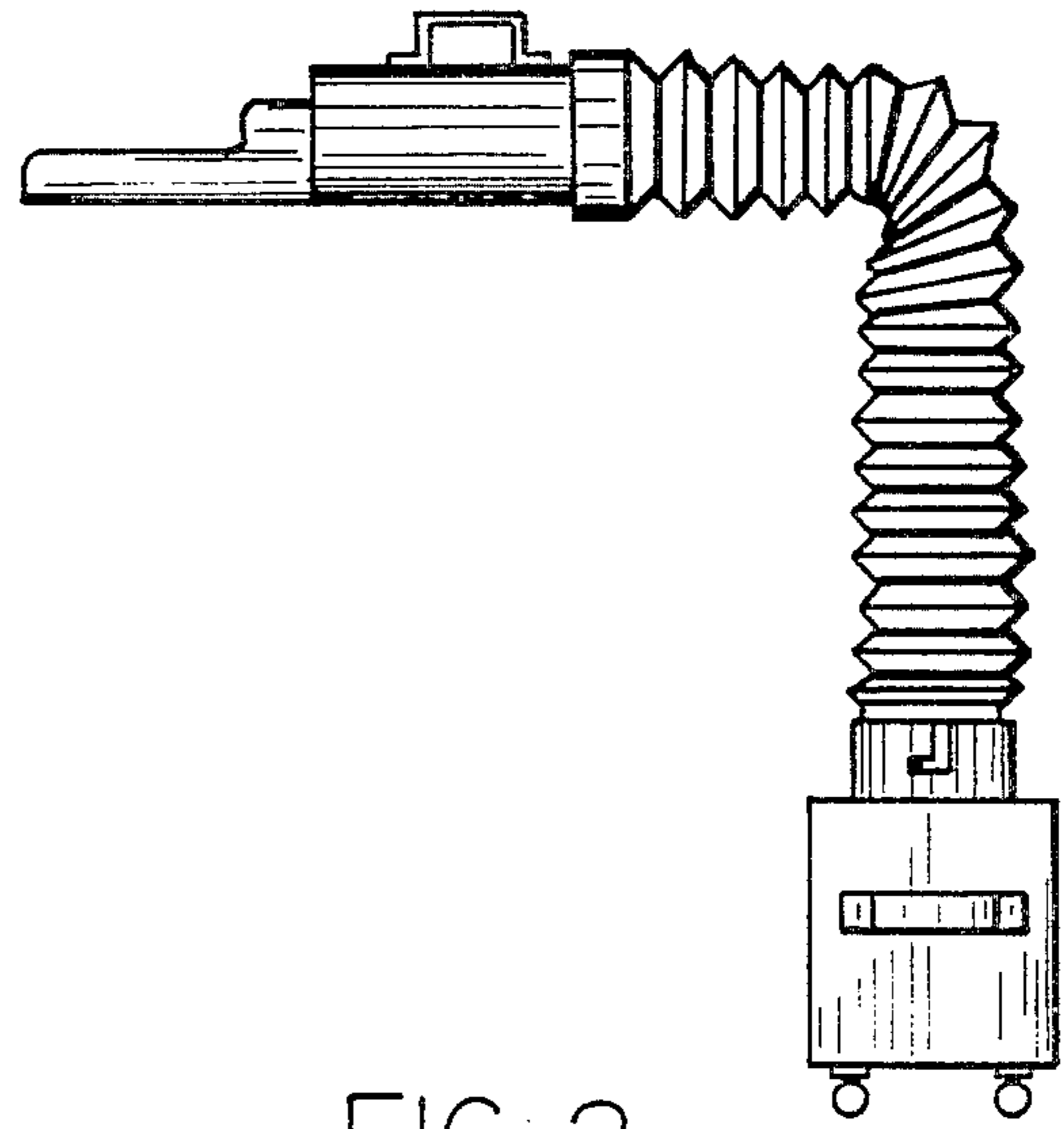


FIG. 2

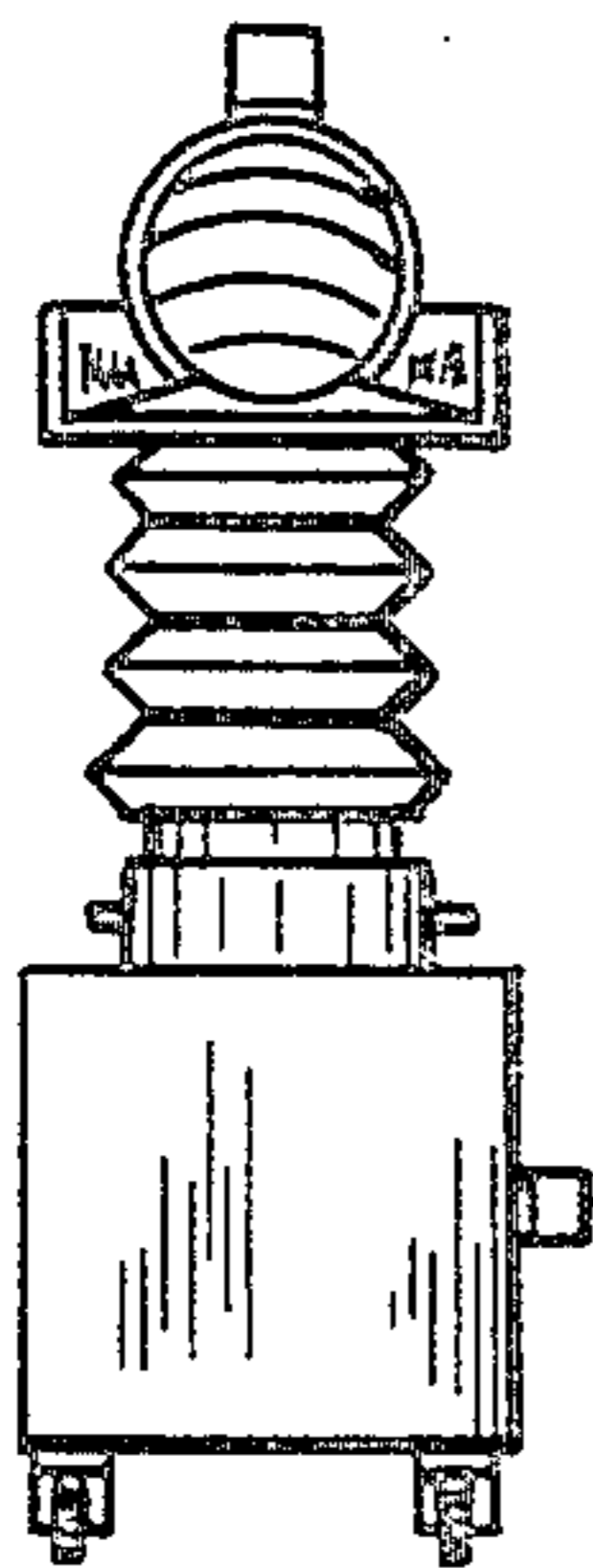


FIG. 3

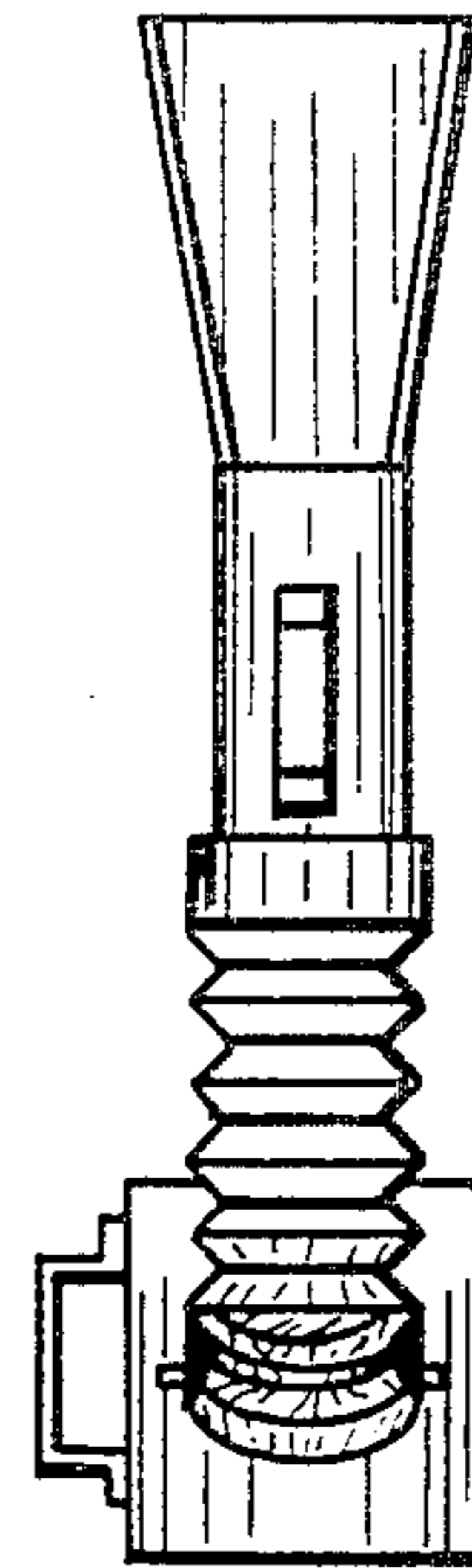


FIG. 4