

[54] PIVOTED VESSEL FOR THE SOLAR HEATING OF WATER

[76] Inventor: Dennis E. Stowell, Box 796, Parowan, Utah 84761

[**] Term: 14 Years

[21] Appl. No.: 608,018

[22] Filed: May 7, 1984

[52] U.S. Cl. D23/72

[58] Field of Search D23/72, 127; 126/424, 126/425, 430, 432, 436, 441, 446, 450, 451, 437, 438

[56] References Cited

U.S. PATENT DOCUMENTS

- 4,098,264 7/1978 Brokaw 126/425
- 4,314,545 2/1982 Bowman 126/446 X
- 4,351,319 9/1982 Robbins 126/425

FOREIGN PATENT DOCUMENTS

2446451 9/1980 France 126/424

Primary Examiner—Catherine E. Kemper
Attorney, Agent, or Firm—Norman B. Rainer

[57] CLAIM

The ornamental design for a pivoted vessel for the solar heating of water, substantially as shown and described.

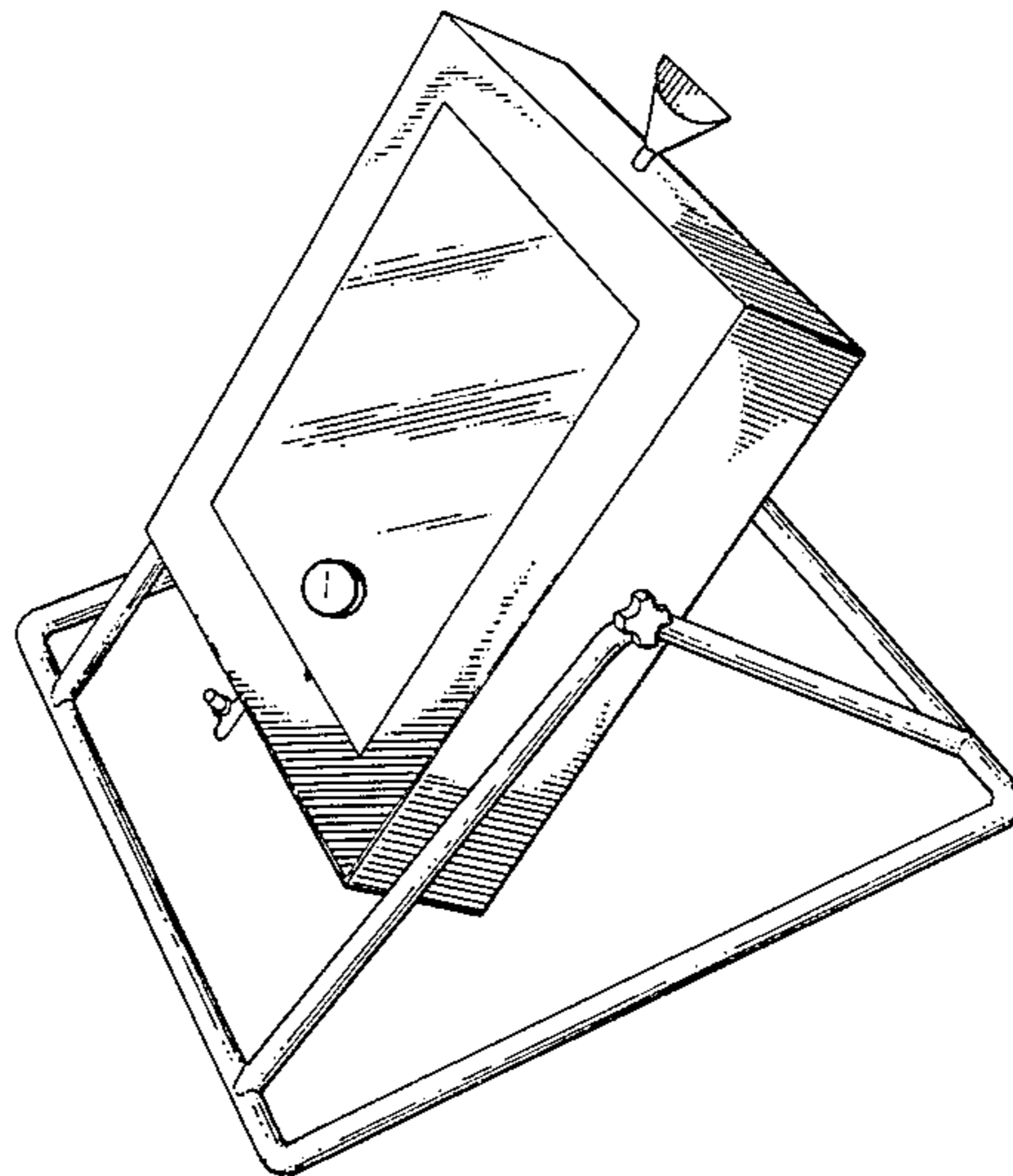
DESCRIPTION

FIG. 1 is a front perspective view of the pivoted vessel for the solar heating of water of my new design.

FIG. 2 is a side view thereof with portions broken away to reveal interior detail, the opposite side being substantially identical.

FIG. 3 is a top view thereof.

FIG. 4 is a sectional view taken along the line 4—4 of FIG. 2.



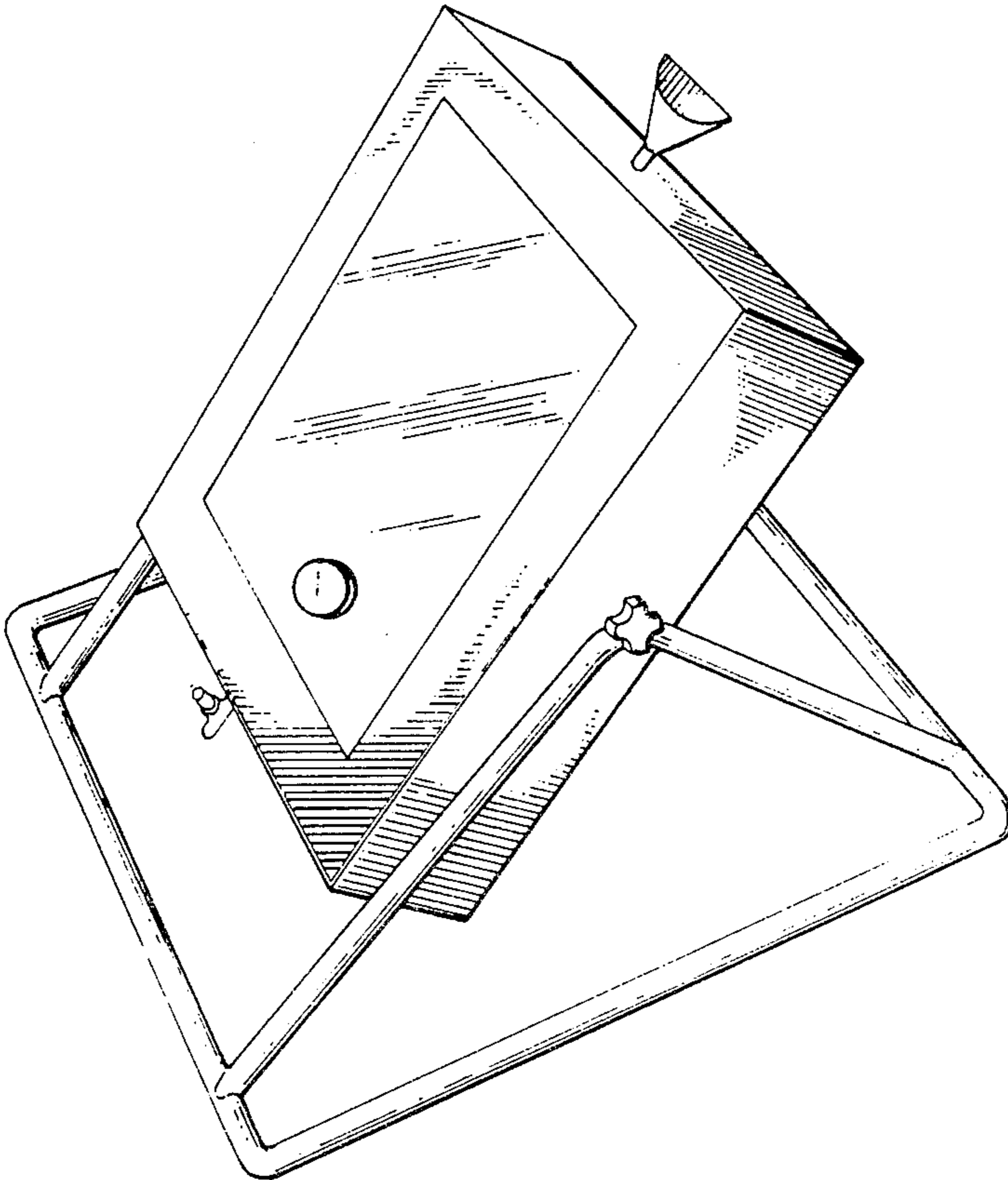


Fig. 1

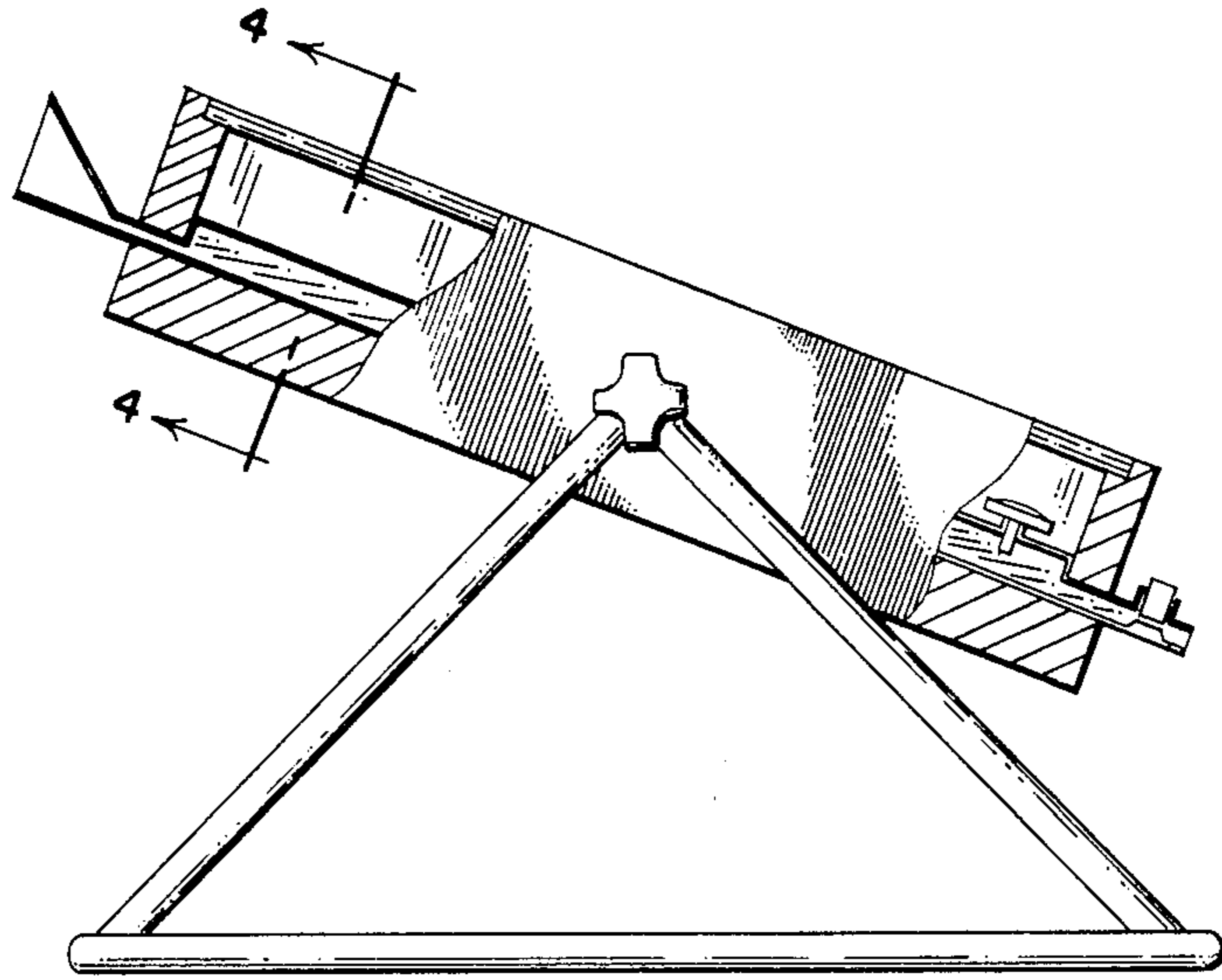


Fig. 2

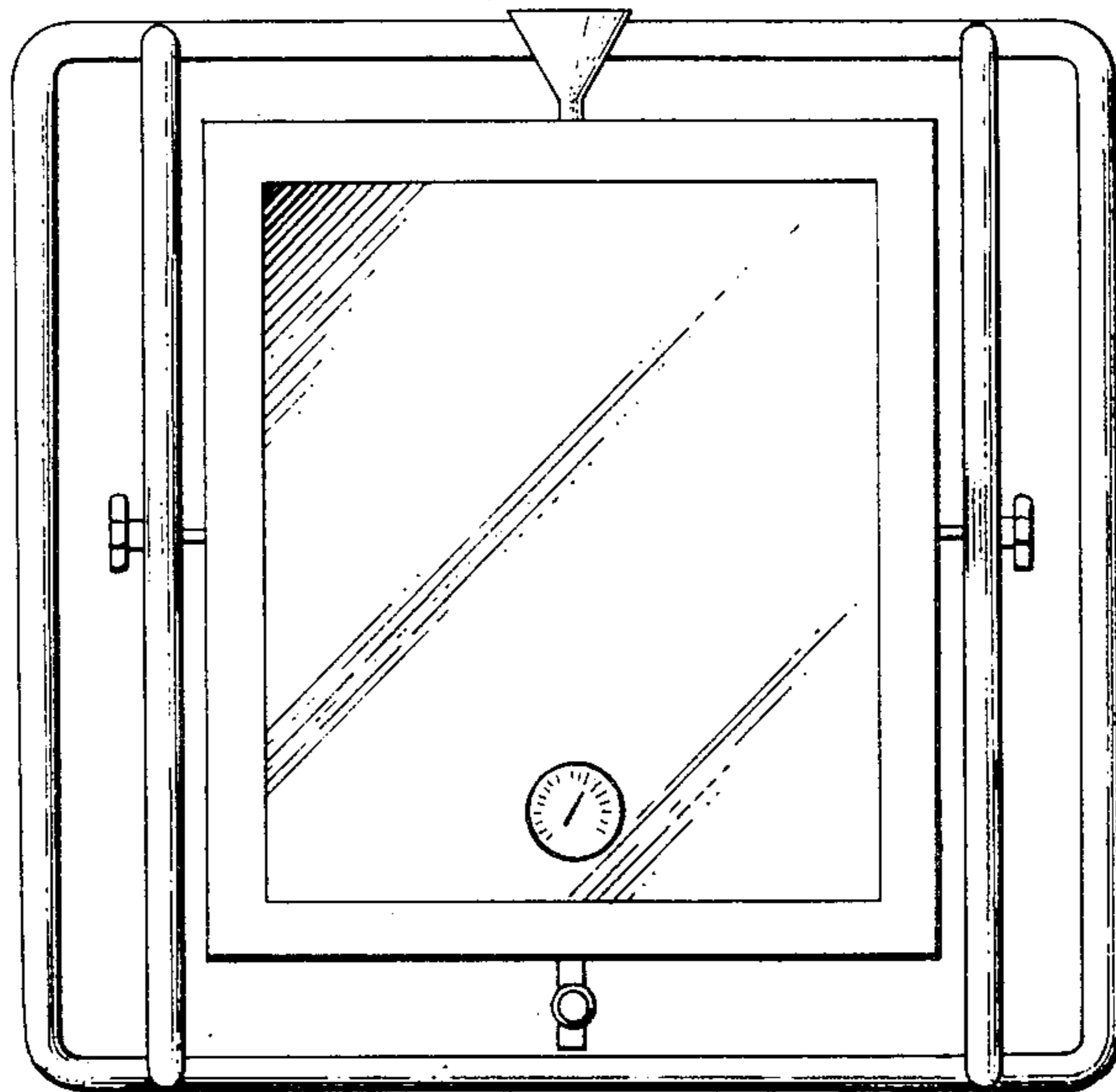


Fig. 3

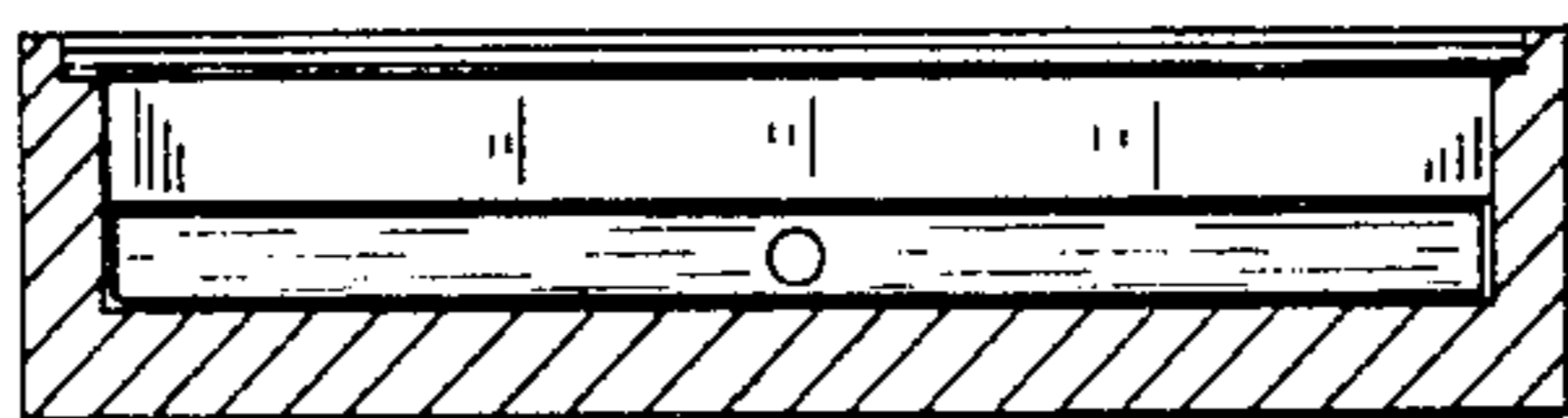


Fig. 4