

[54] SPLASH GUARD FOR A FUEL DISPENSING NOZZLE

[75] Inventor: Mervin L. Carder, Sr., Fenton, Mo.

[73] Assignee: M. Carder Industries, Inc., St. Louis, Mo.

[**] Term: 14 Years

[21] Appl. No.: 654,207

[22] Filed: Sep. 24, 1984

[52] U.S. Cl. D23/36

[58] Field of Search D23/34-39; 141/97, 392; 239/104, 120, 288.3, 288.5

[56] References Cited

U.S. PATENT DOCUMENTS

D. 173,006	9/1954	Anderson	D23/36
2,928,610	3/1960	Fenimorp	239/288.5
3,672,380	6/1972	Schuster	239/288.5 X
3,850,373	11/1974	Grolitsch	239/288.5 X

FOREIGN PATENT DOCUMENTS

632910	4/1927	France	141/392
97333	1/1961	Norway	239/104

Primary Examiner—James R. Largen
Attorney, Agent, or Firm—Polster, Polster & Lucchesi

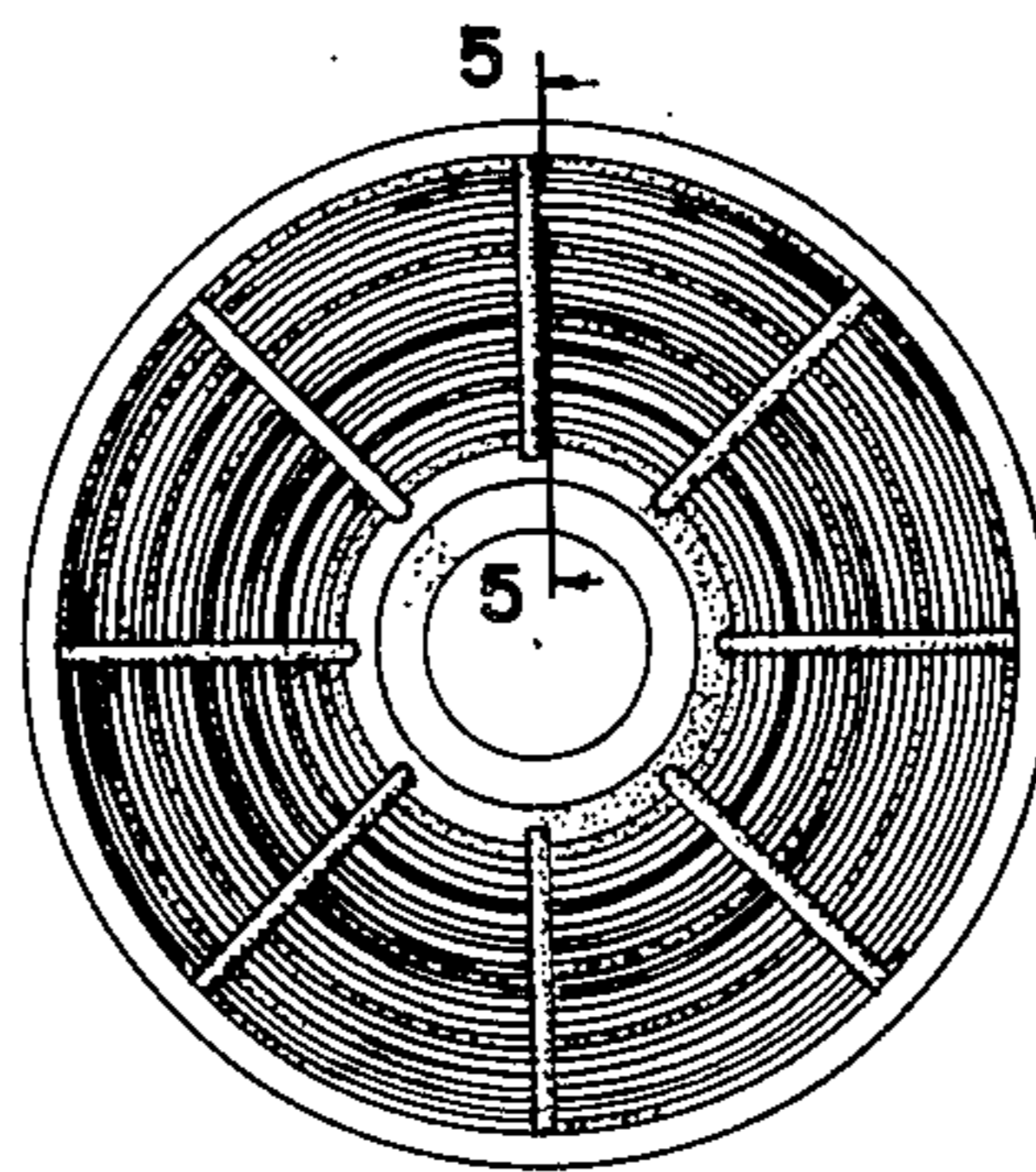
[57] CLAIM

The ornamental design for a splash guard for a fuel dispensing nozzle, as shown and described.

DESCRIPTION

FIG. 1 is a left side elevational view of a splash guard for a fuel dispensing nozzle showing my new design; FIG. 2 is a rear elevational view thereof; FIG. 3 is a right side elevational view thereof; FIG. 4 is a front elevational view thereof; and FIG. 5 is a cross sectional view taken on line 5—5 of FIG. 4.

The fragmentary broken line representation of a fuel dispensing nozzle in FIG. 1 is for purposes of illustration only.



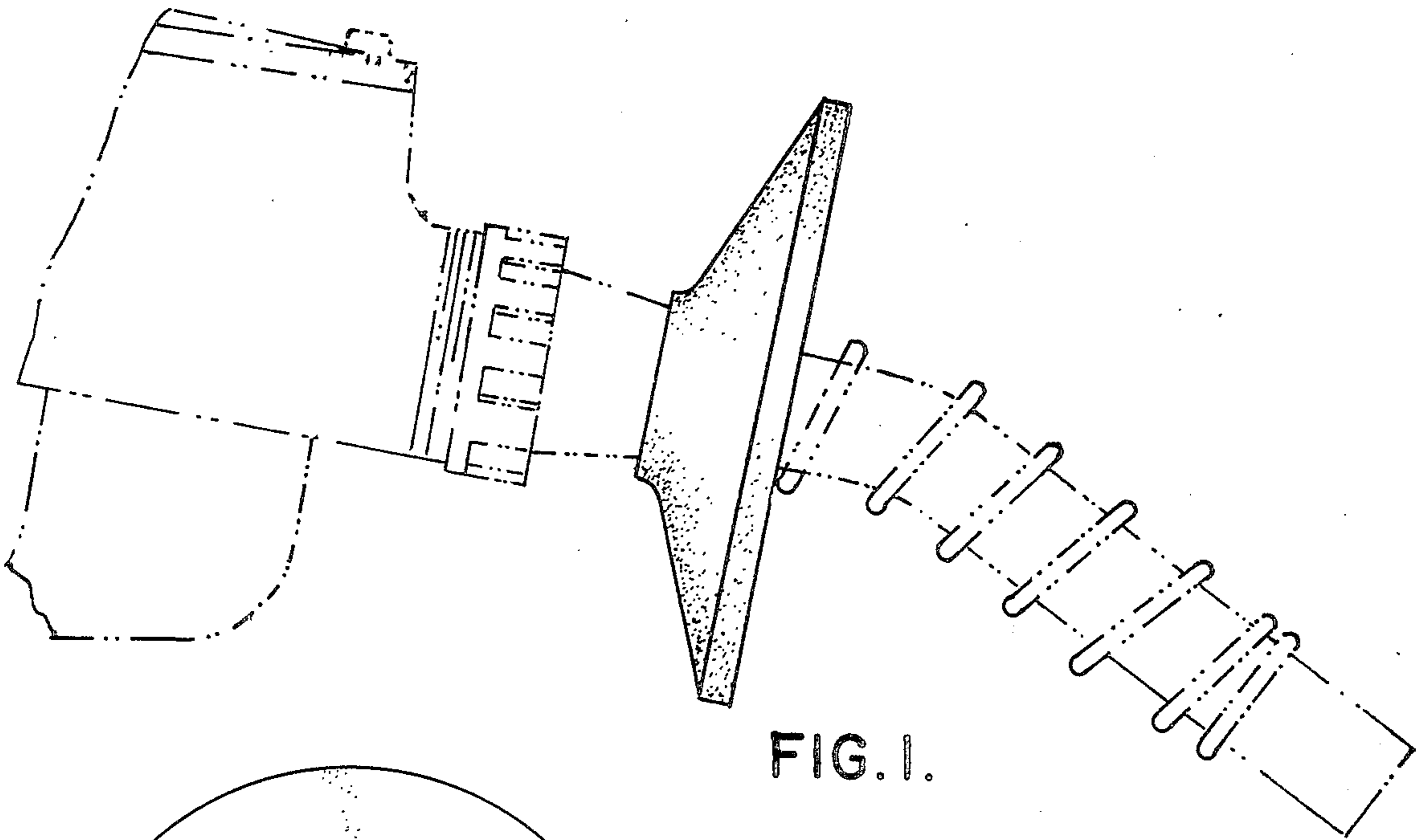


FIG. 1.

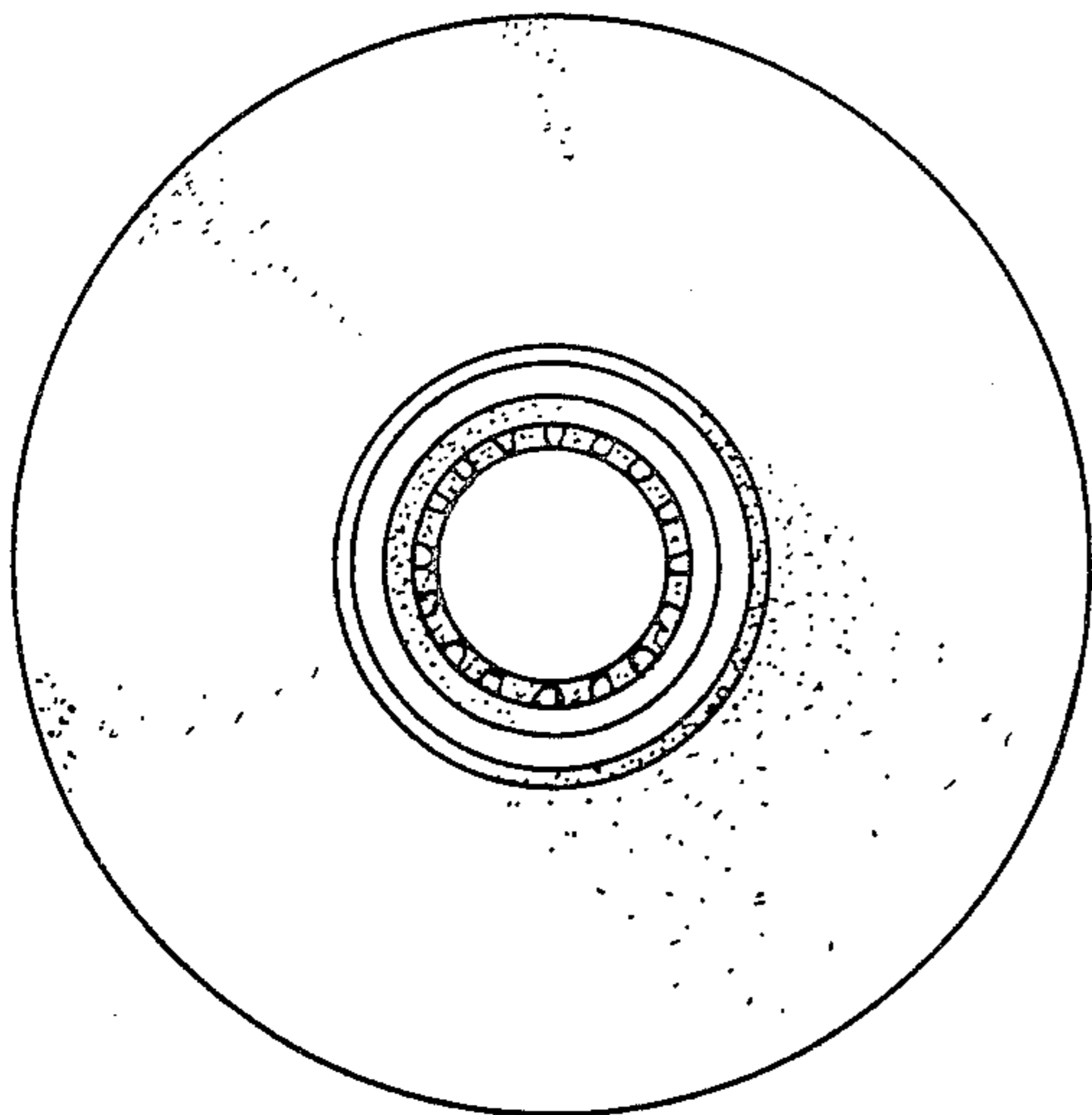


FIG. 2.



FIG. 3.

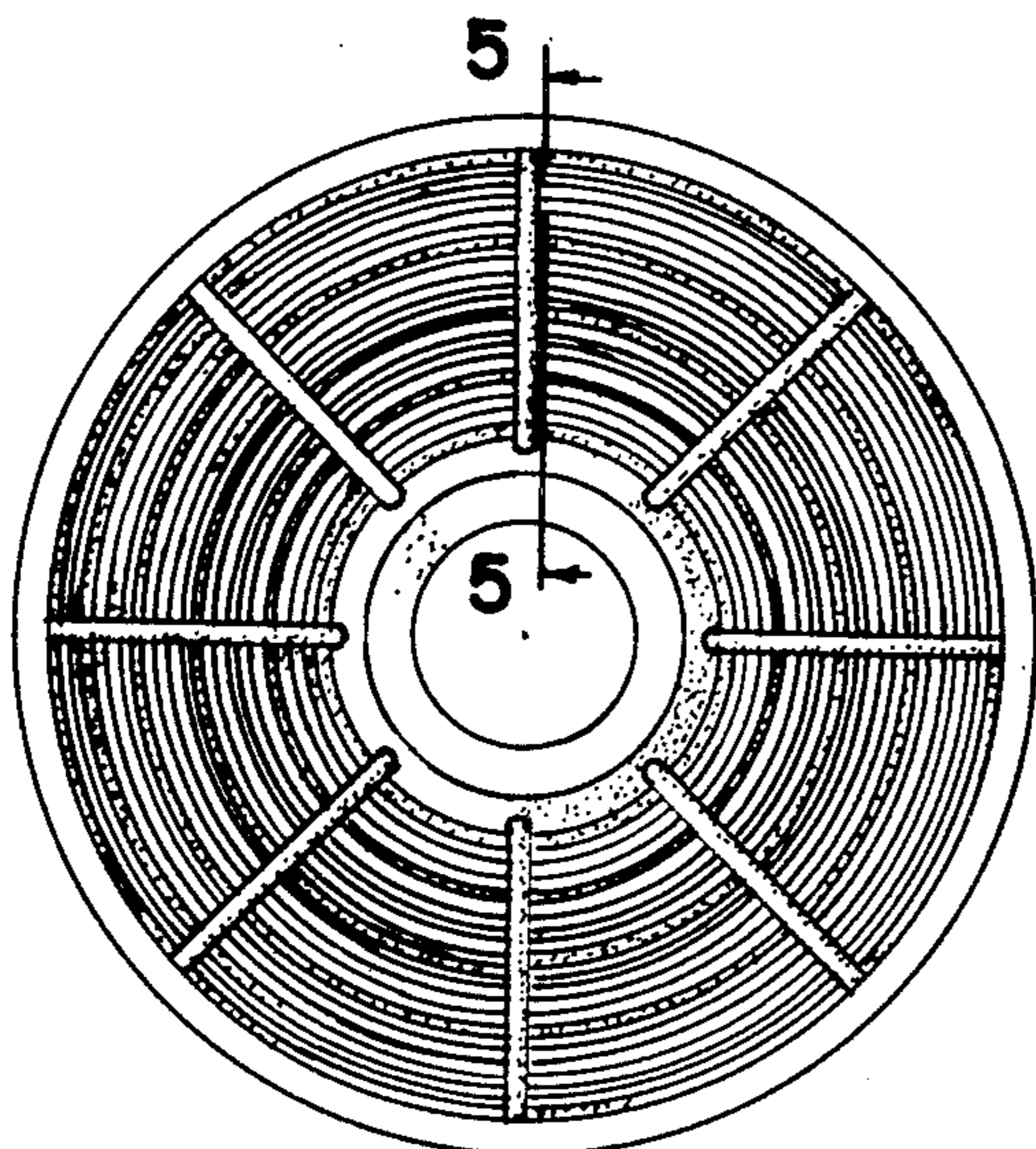


FIG. 4.

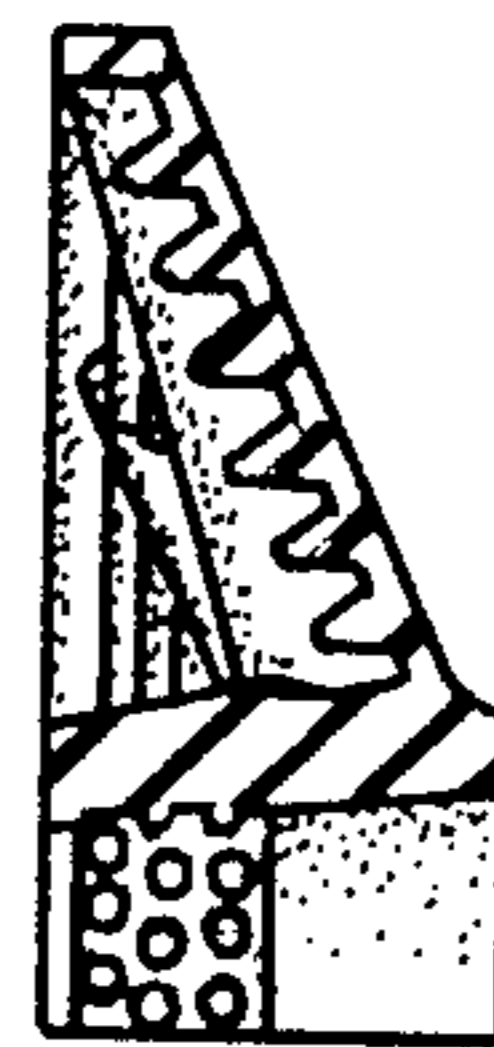


FIG. 5.