

[54] SHOWER FLOW CONTROLLER

[57] CLAIM

The ornamental design for a shower flow controller, as shown and described.

[76] Inventor: Kenneth F. Ferguson, 16467 Seneca, Victorville, Calif. 92392

DESCRIPTION

[**] Term: 14 Years

FIG. 1 is a perspective view taken from the top, front and left side of a shower flow controller showing my new design;

[21] Appl. No.: 602,903

FIG. 2 is a perspective view taken from the bottom, rear and left side thereof;

[22] Filed: Apr. 23, 1984

FIG. 3 is a top plan view thereof;

[52] U.S. Cl. D23/19; D23/35

FIG. 4 is a left side elevational view thereof, the right side being a mirror image of the left side shown;

[58] Field of Search D23/19-22, D23/35; 137/625.32; 239/562, 569; 251/154, 207, 209

FIG. 5 is a perspective view taken from the top, front and left side of a modified form of the shower flow controller shown in FIG. 1;

[56] References Cited

FIG. 6 is a perspective view taken from the bottom, rear and left side of FIG. 5;

U.S. PATENT DOCUMENTS

FIG. 7 is a top plan view of FIG. 5;

D. 161,431	1/1951	Derbyshire	D23/35
2,965,313	12/1960	Jay	251/207 X
3,412,941	11/1968	Steinback	239/569
4,273,289	6/1981	Jette	239/587 X
4,311,279	1/1982	Jette	239/562
4,360,160	11/1982	Jette	239/587 X
4,497,444	2/1985	Arnold	239/569 X
4,522,232	6/1985	Ferguson	137/625.32

FIG. 8 is a left side elevational view of FIG. 5, the right side being a mirror image of the left side shown;

FIG. 9 is a perspective view taken from the top, front and left side of a second modified form of the shower flow controller shown in FIG. 1;

FIG. 10 is a perspective view taken from the bottom, rear and left side of FIG. 9;

FIG. 11 is a top plan view of FIG. 9; and

FIG. 12 is a left side elevational view of FIG. 9, the right side being a mirror image of the left side shown.

Primary Examiner—James R. Largen
Attorney, Agent, or Firm—Knobbe, Martens, Olson & Bear

The broken line representation of a shower head and water supply pipe in FIGS. 1, 2, 5, 6, 9 and 10 are for purposes of illustration only.

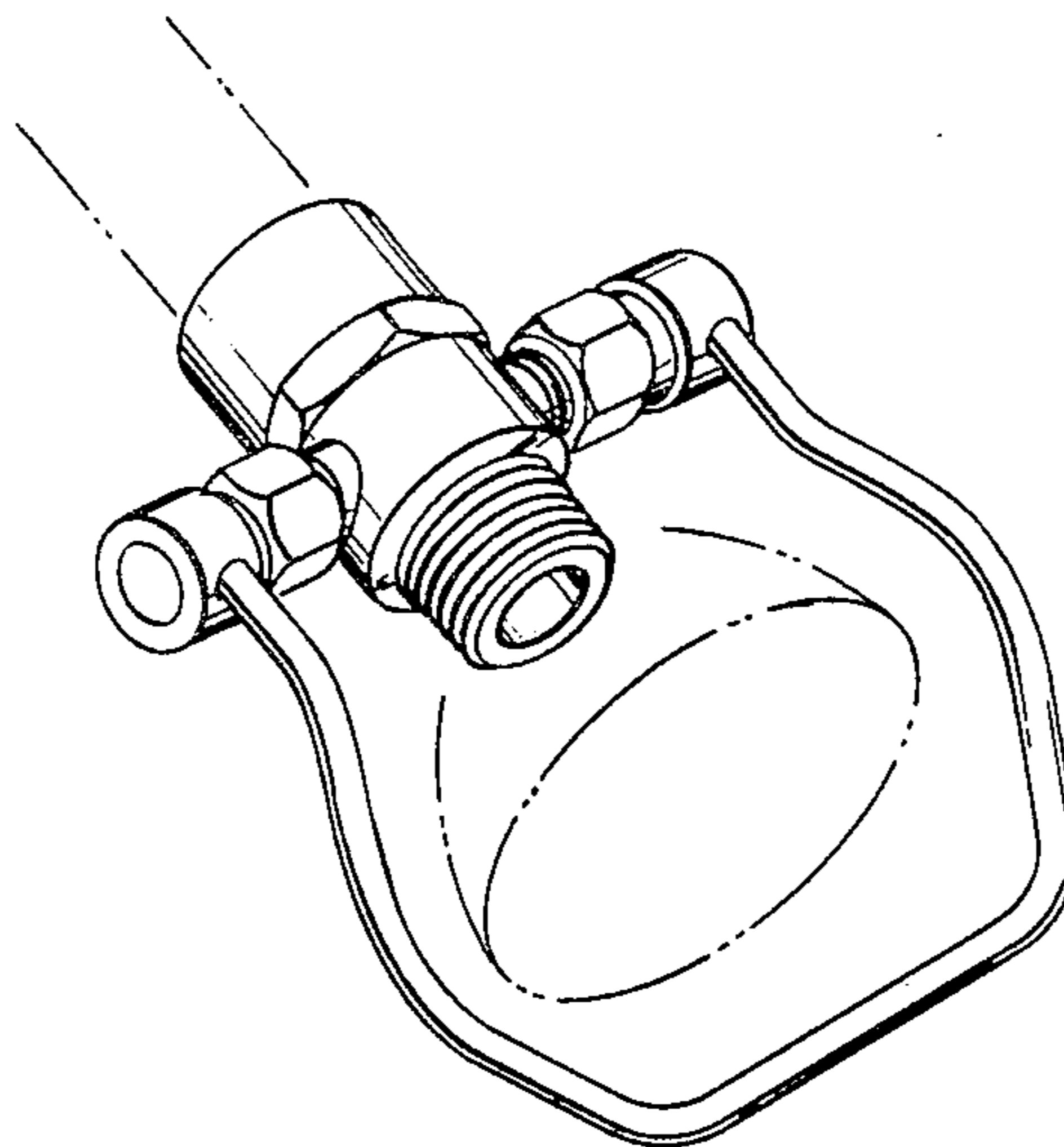


Fig. 1

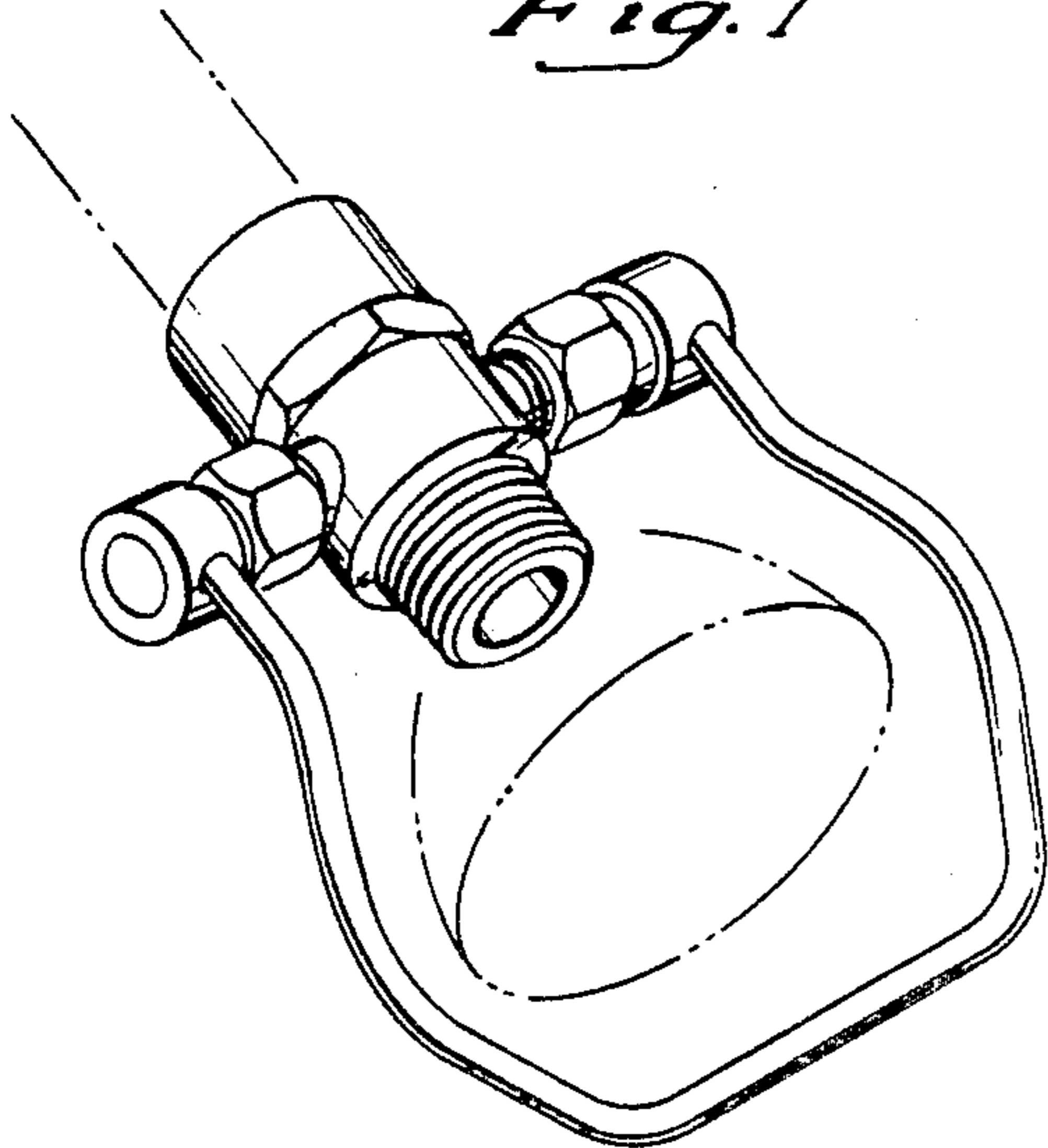


Fig. 2

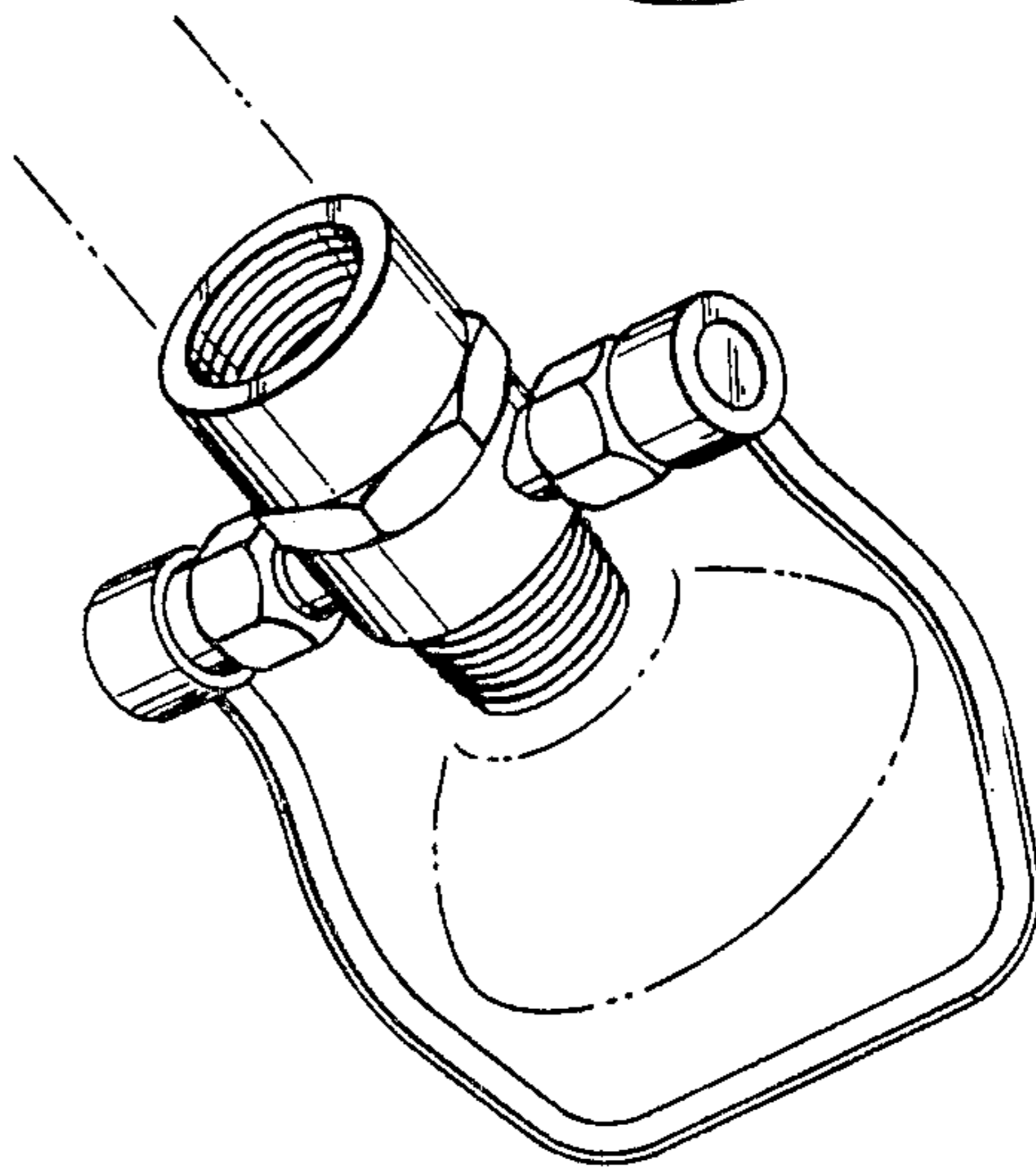


Fig. 3

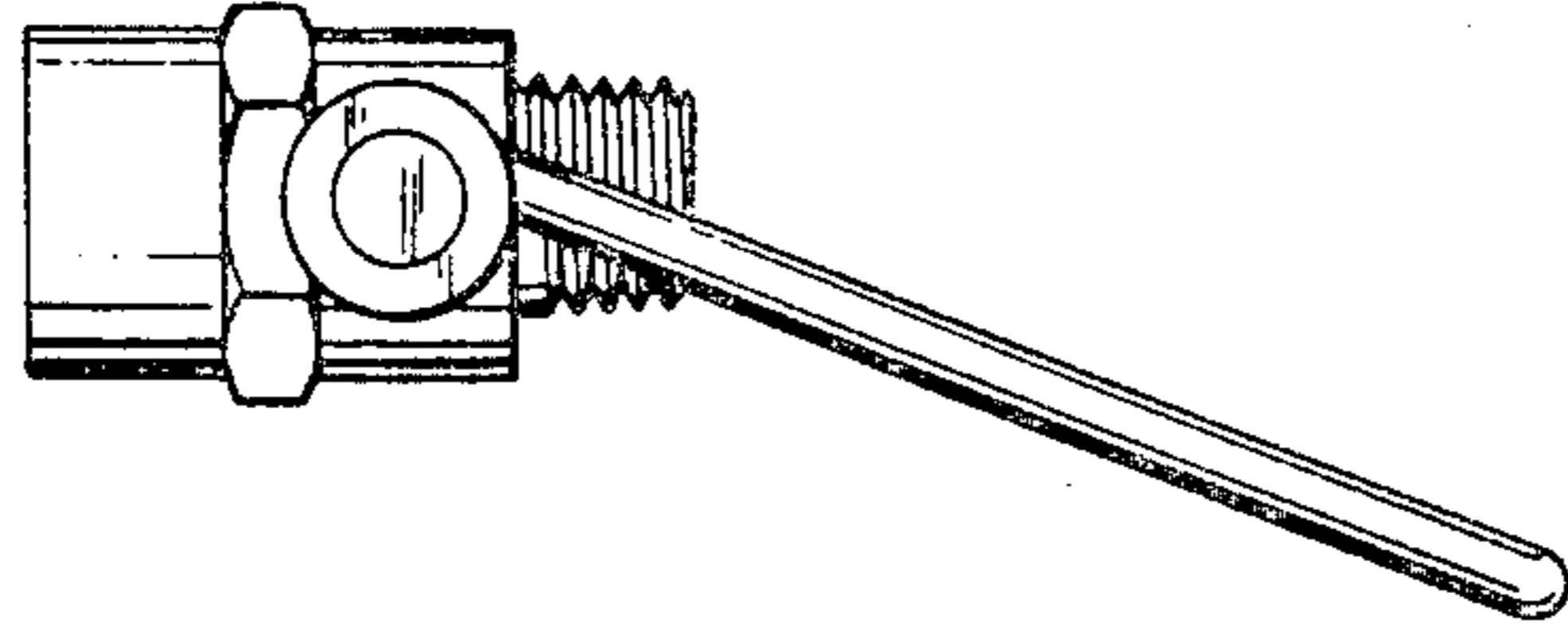
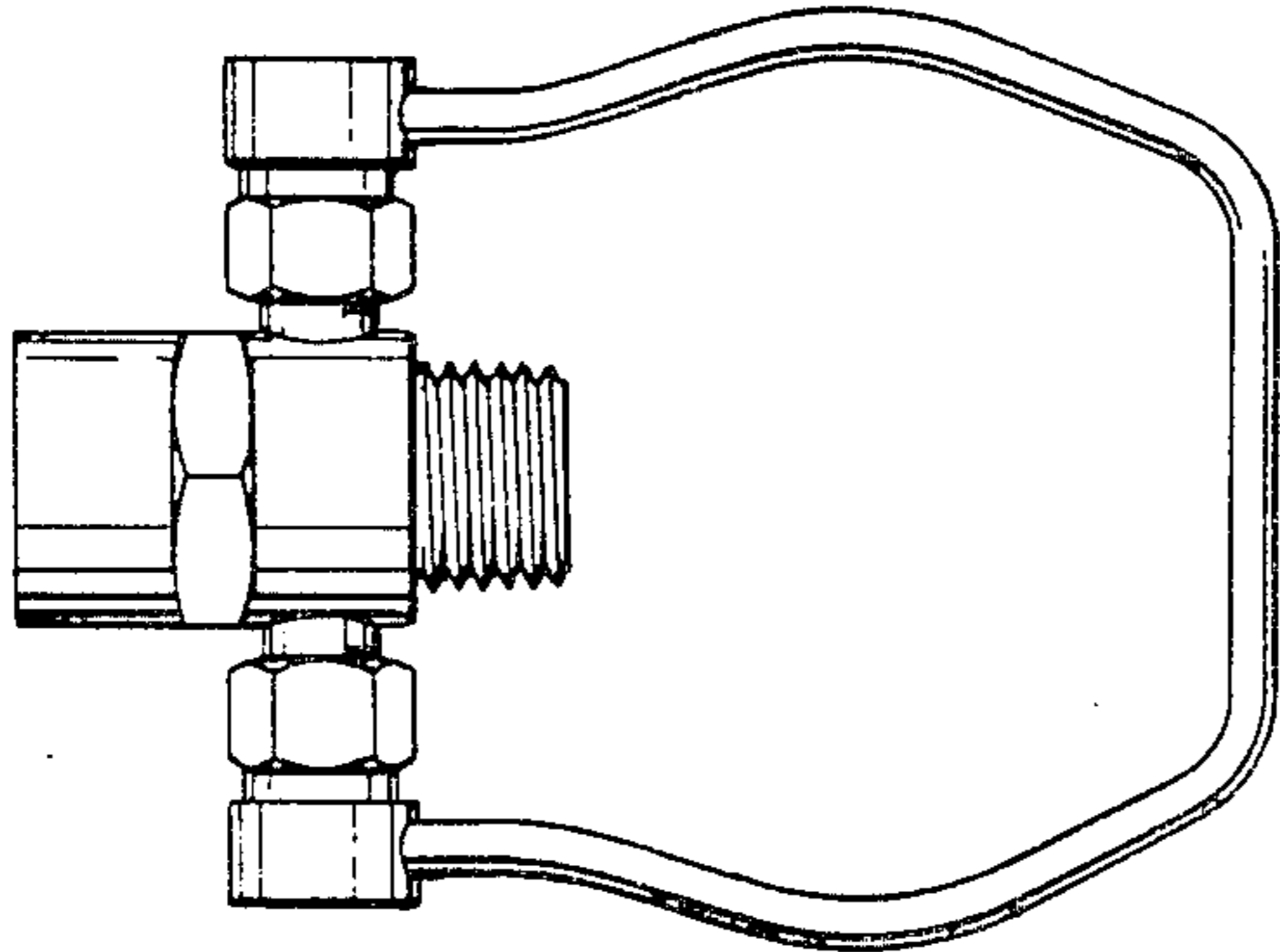


Fig. 4

Fig. 5

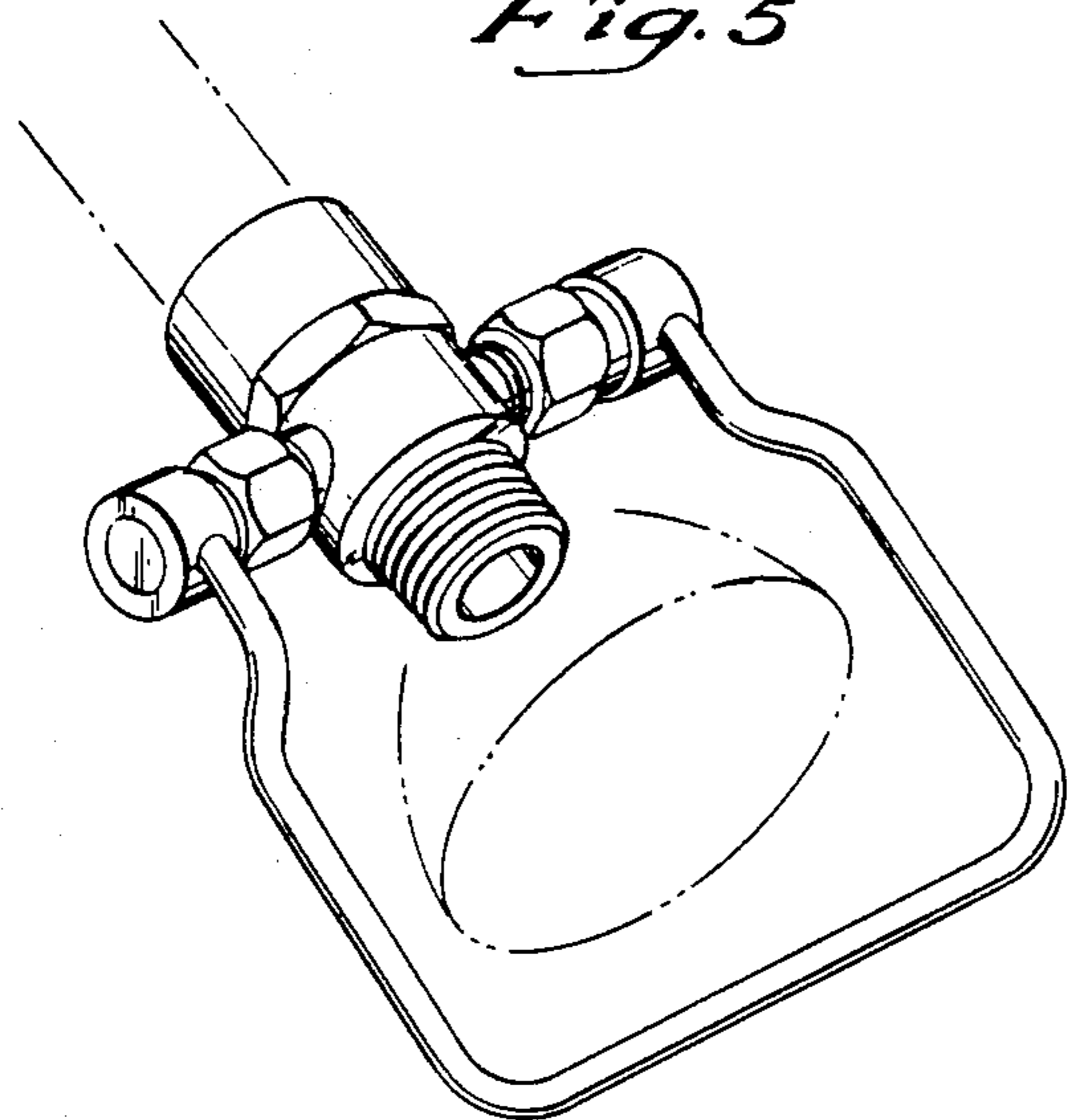


Fig. 6

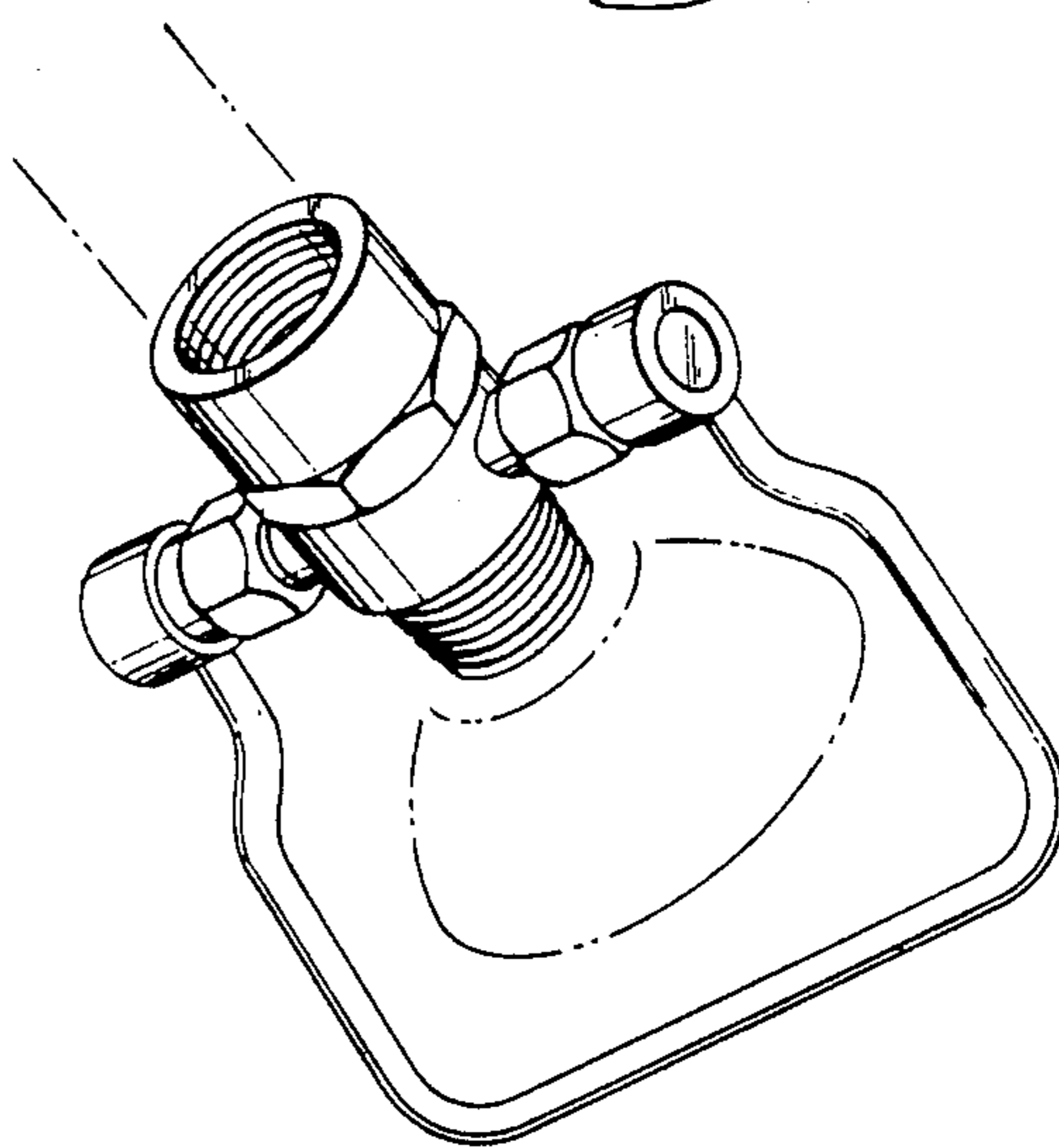


Fig. 7

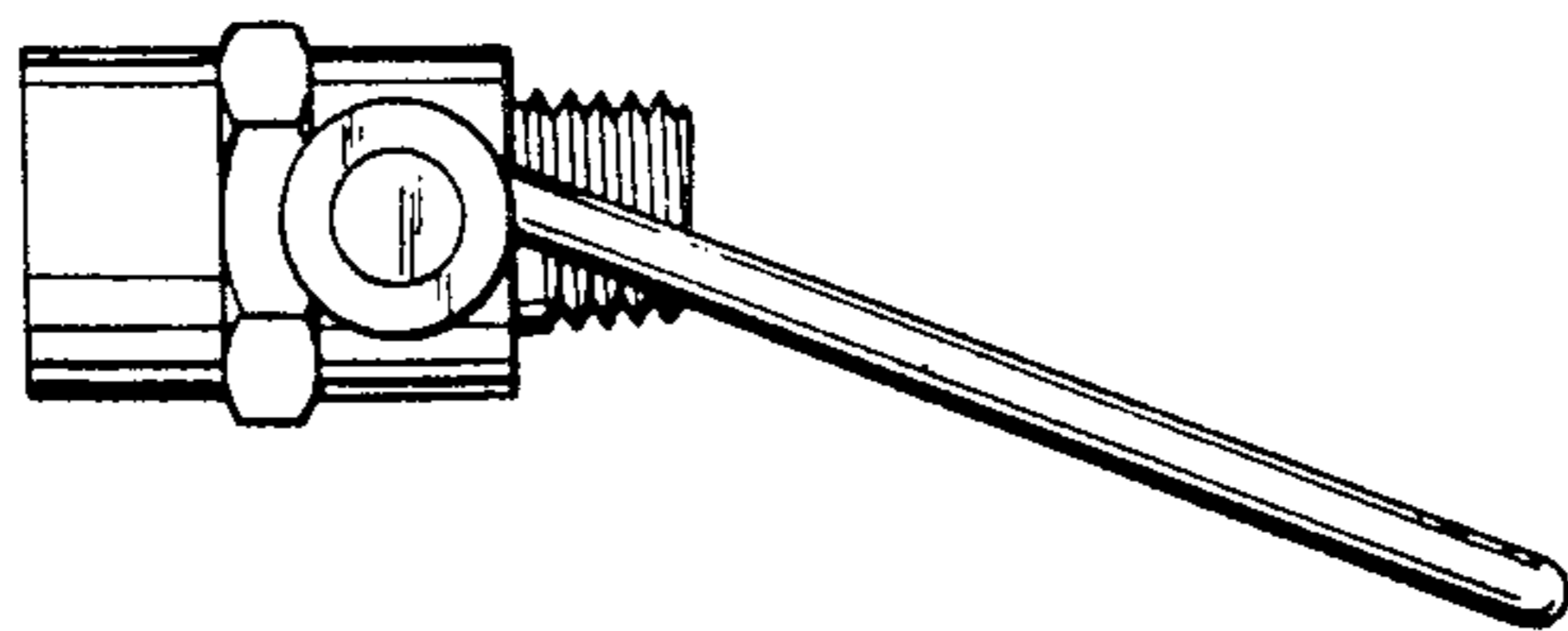
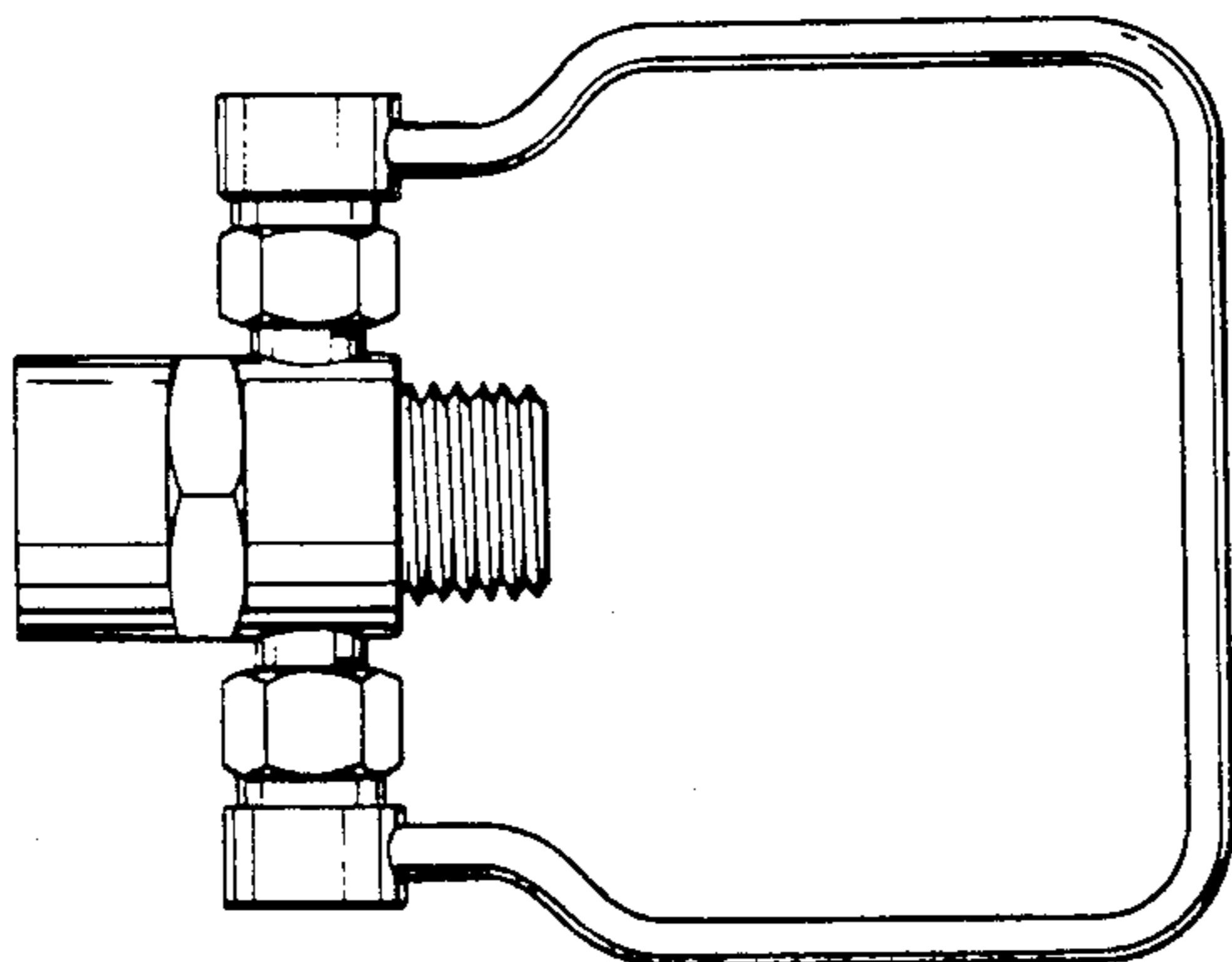


Fig. 8

Fig. 9

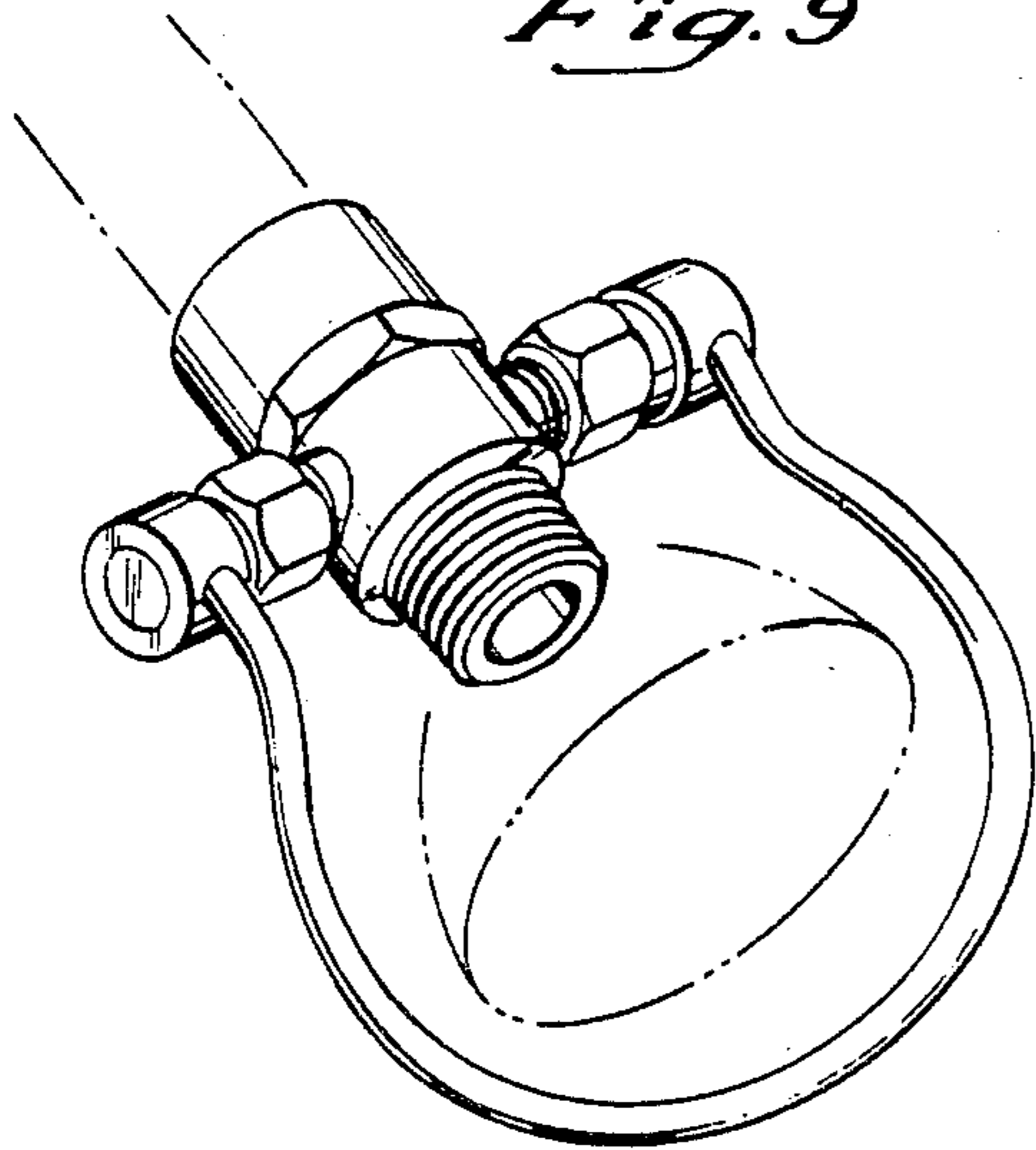


Fig. 10

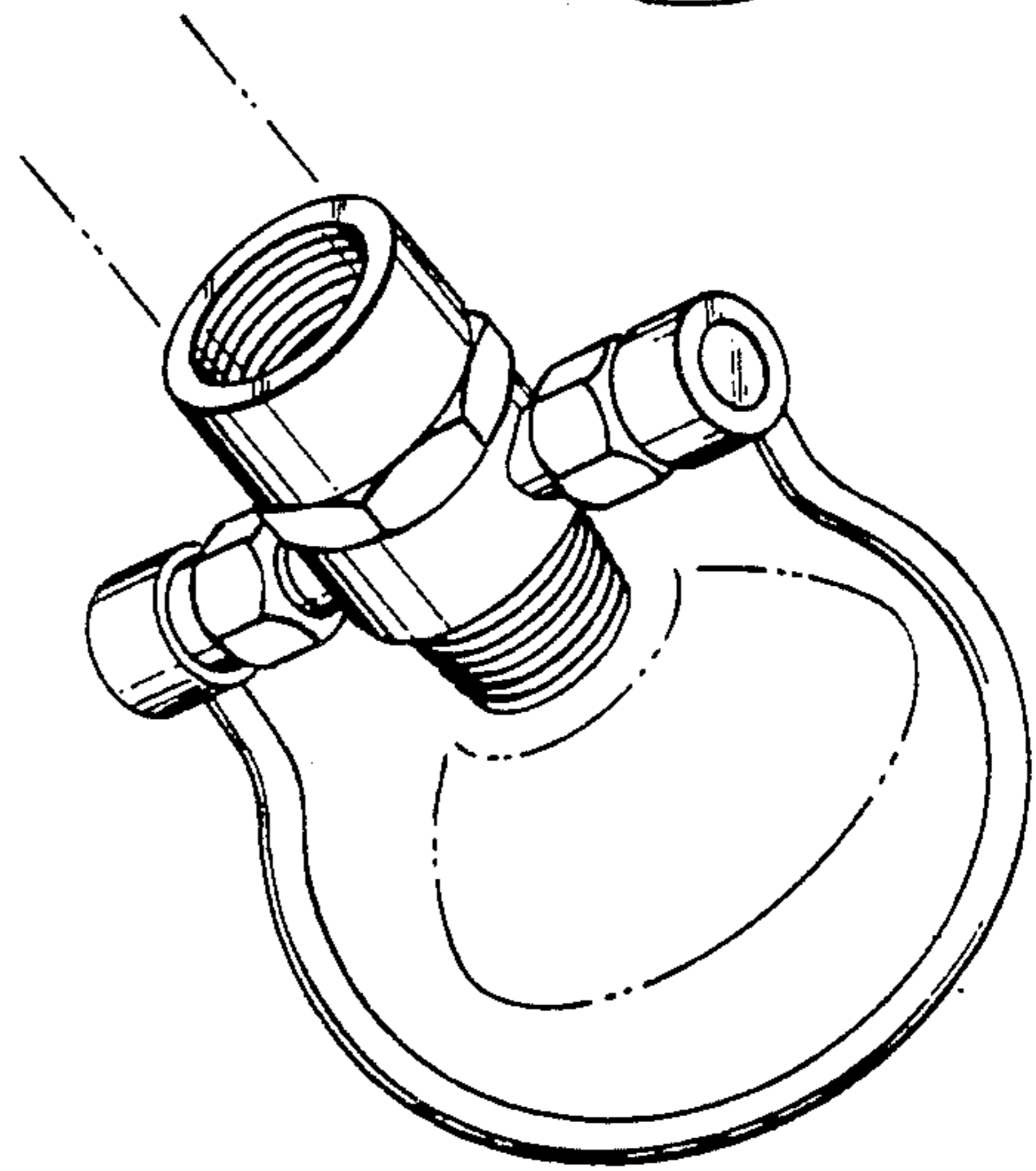


Fig. 11

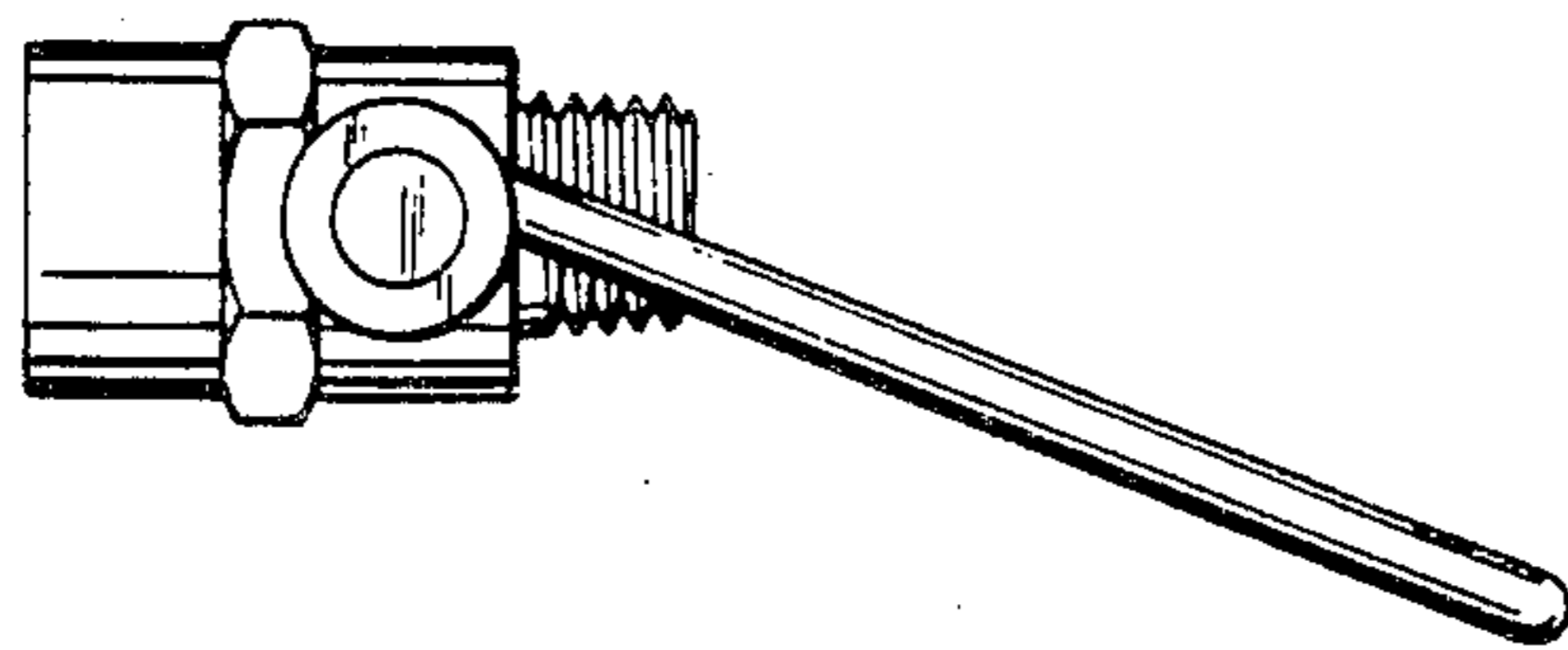
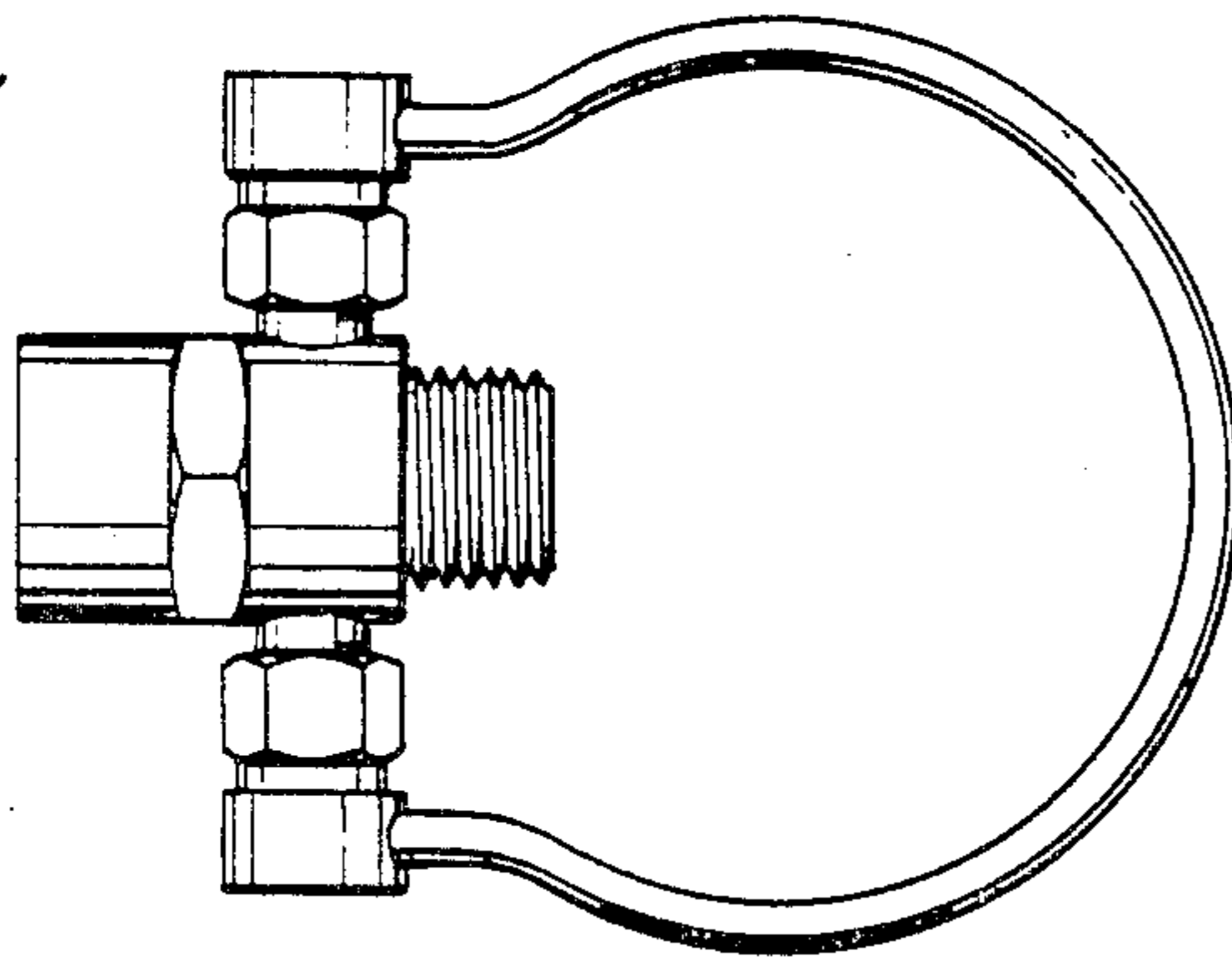


Fig. 12