

[54] YOKE FOR A SPRINKLER

[75] Inventors: William R. McLennan, Easton, Pa.; Robert Rung, Hopatcong, N.J.

[73] Assignee: Victaulic Company of America, Easton, Pa.

[**] Term: 14 Years

[21] Appl. No.: 619,859

[22] Filed: Jun. 12, 1984

[52] U.S. Cl. D23/7

[58] Field of Search D23/6-9; 169/38-39, 40, 42, 37; 285/32, 302; 239/222.17, 600, 524, 562

[56] References Cited

U.S. PATENT DOCUMENTS

D. 26,255 11/1896 Esty D23/6
2,864,652 12/1958 O'Brien et al. 239/524

4,083,410 4/1978 Anderson 169/37
4,117,887 10/1978 Anderson 169/37
4,185,781 1/1980 O'Brien 239/600
4,403,661 9/1983 Tokar 169/37 X

Primary Examiner—Wallace R. Burke
Assistant Examiner—Brian N. Vinson
Attorney, Agent, or Firm—Abelman Frayne Rezac & Schwab

[57] CLAIM

The ornamental design for a yoke for a sprinkler, as shown.

DESCRIPTION

FIG. 1 is a front elevation of yoke for a sprinkler showing my new design;
FIG. 2 is a rear elevation thereof;
FIG. 3 is a top plan view thereof;
FIG. 4 is a bottom plan view thereof;
FIG. 5 is a right side elevation thereof; and
FIG. 6 is a left side elevation thereof.

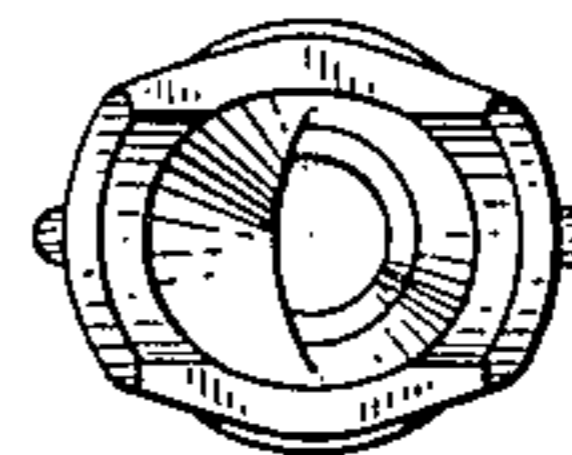
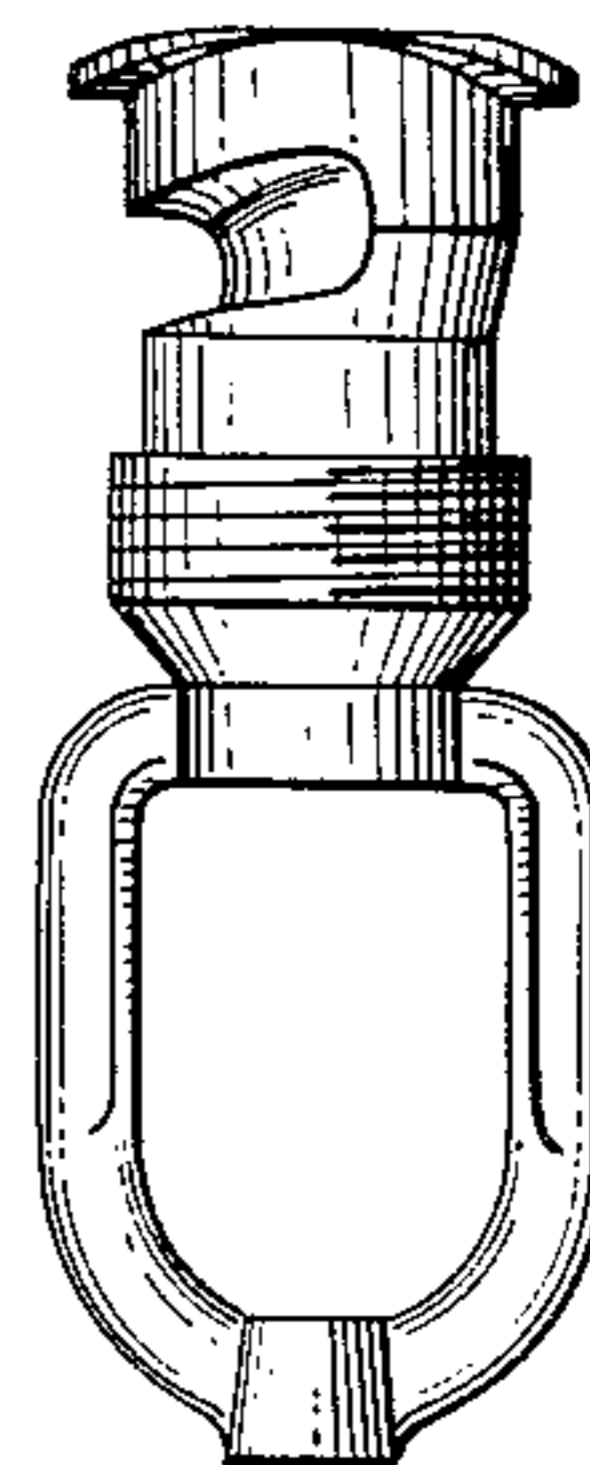
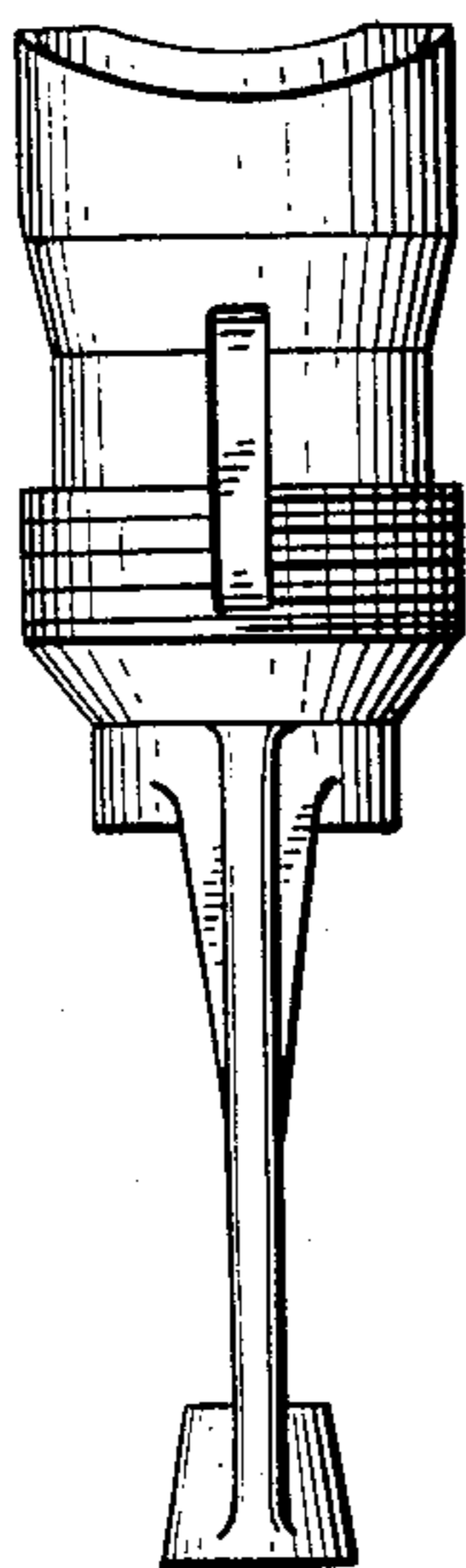


FIG. 1

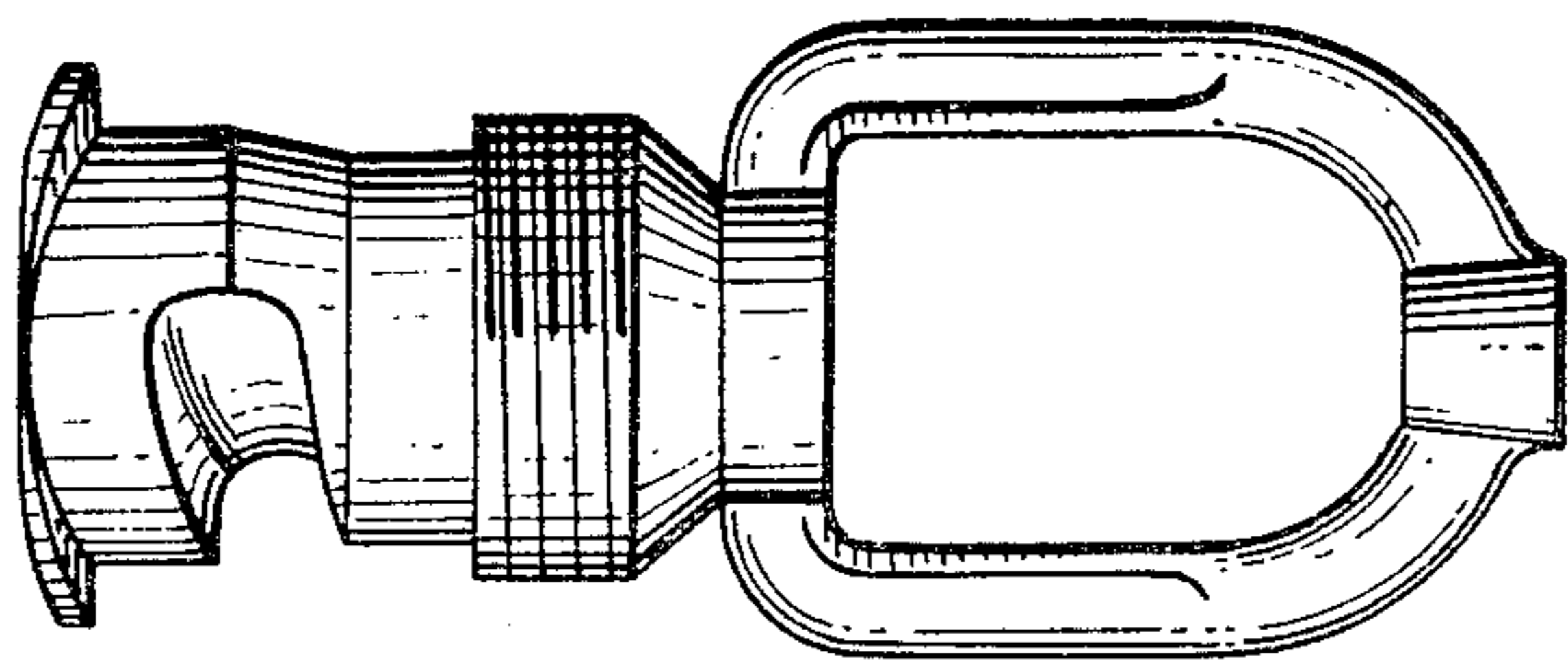


FIG. 2

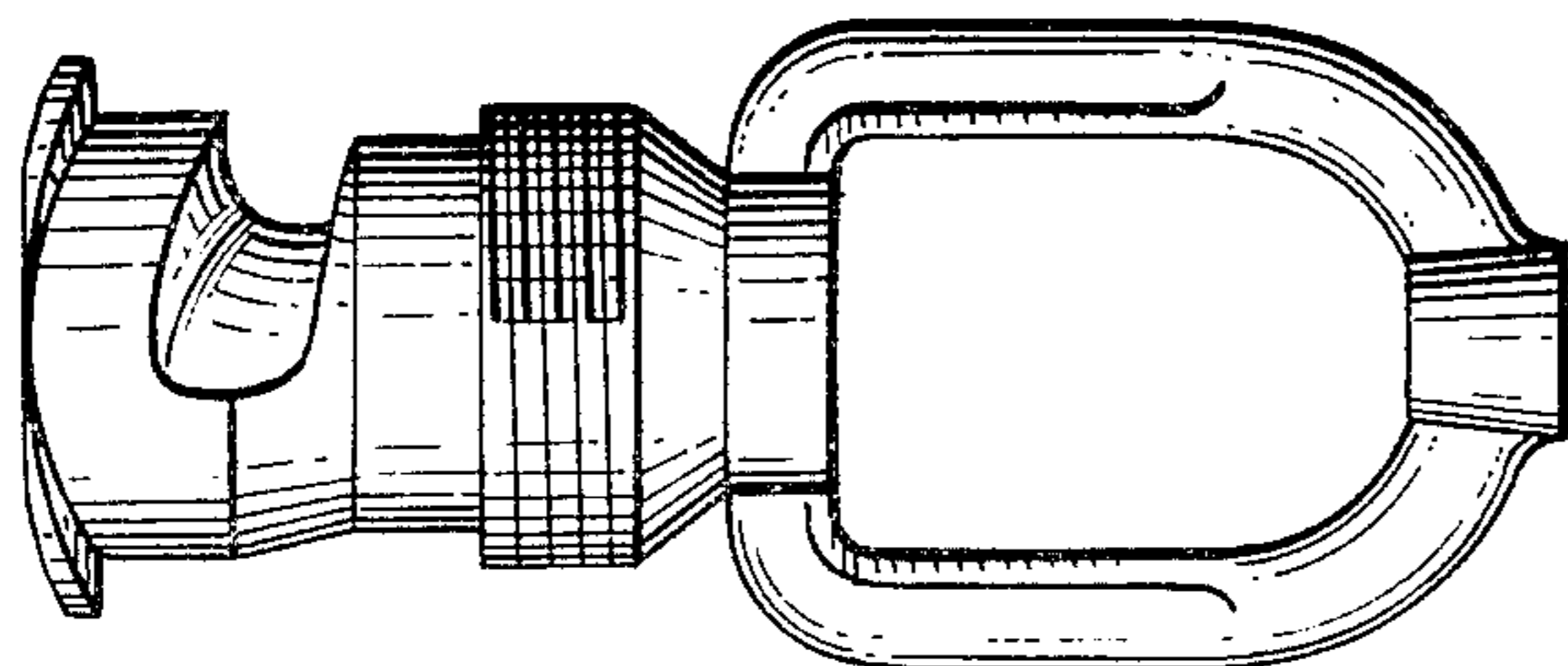


FIG. 3

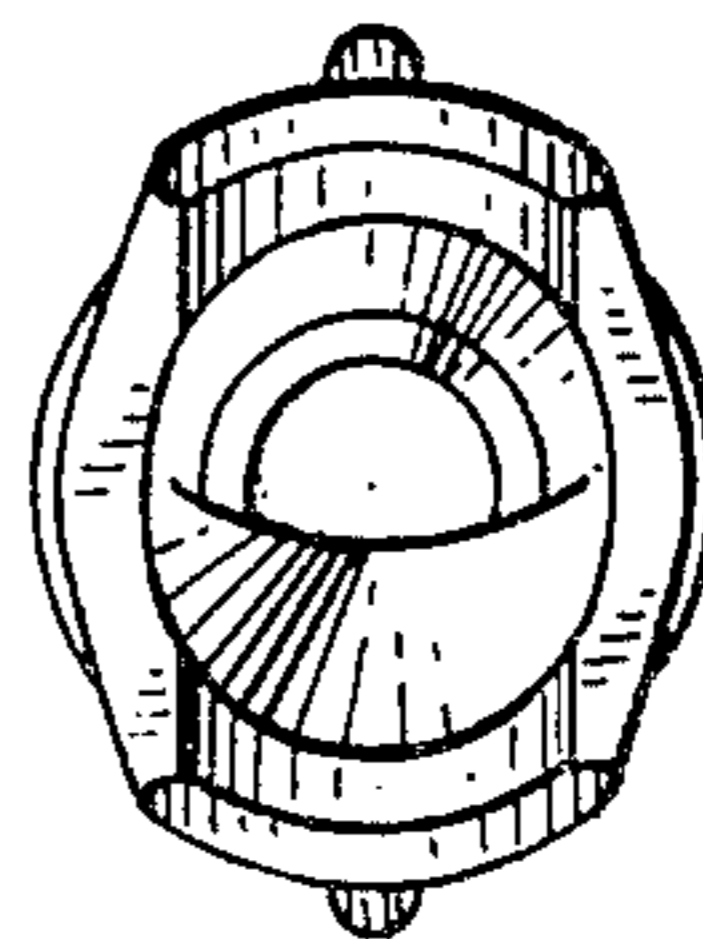


FIG. 4

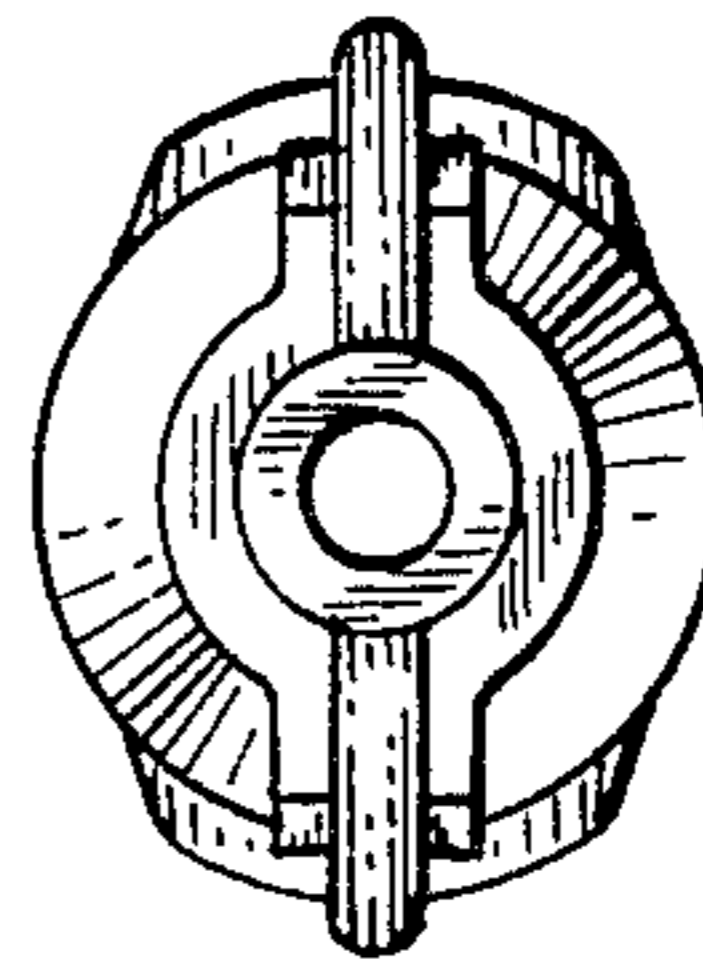


FIG. 6

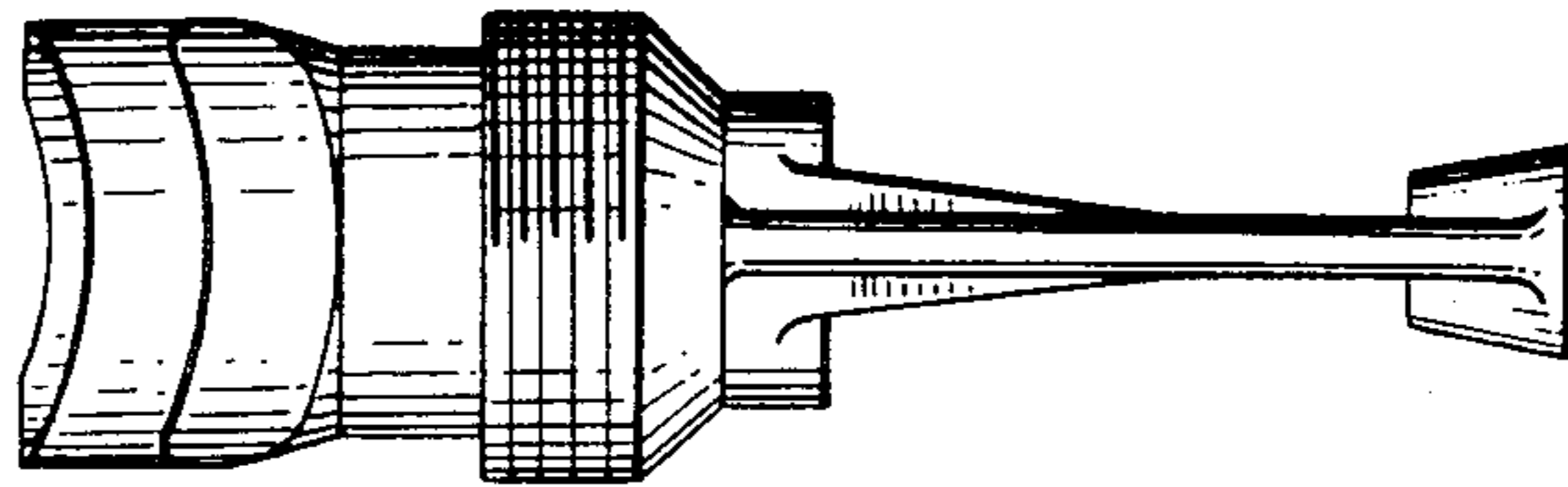


FIG. 5

