

[54] SHUTTLECOCK

[76] Inventors: Eugene Kornhaber, 318 Douglas Rd., Chippaqua, N.Y. 10514; Ronald Gold, 3400 South Ocean Blvd., Palm Beach, Fla. 33480

[\*\*] Term: 14 Years

[21] Appl. No.: 580,167

[22] Filed: Feb. 14, 1984

[52] U.S. Cl. .... D21/207

[58] Field of Search ..... D21/207, 203; 273/417

[56] References Cited

U.S. PATENT DOCUMENTS

D. 186,848	12/1959	Diercks	.....	D21/207
2,012,730	8/1935	Reid	.....	273/417
2,911,219	11/1959	Arokiasamy	.....	273/417
3,784,202	1/1974	Pon	.....	273/417

OTHER PUBLICATIONS

Photographs of an official Brazilian PETOTE having

four parallel feathers disposed in a square and connected to a plurality of rubber discs forming the base of the PETOTE.

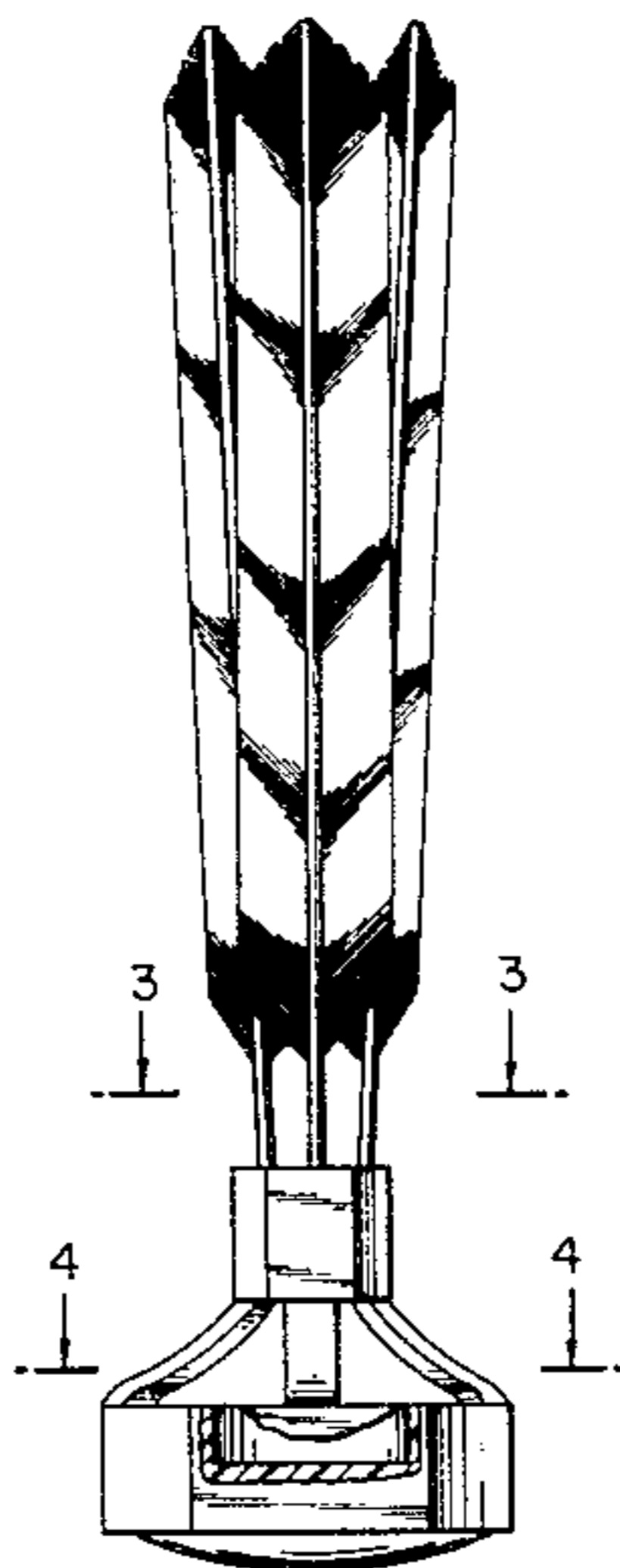
Primary Examiner—Melvin B. Feifer  
Attorney, Agent, or Firm—Lackenbach, Siegel, Marzullo & Aronson

[57] CLAIM

The ornamental design for shuttlecock, substantially as shown and described.

DESCRIPTION

FIG. 1 is a typical side elevational view of the shuttlecock showing our new design with a portion shown fragmentary for clarity of illustration; FIG. 2 is a top plan view thereof; FIG. 3 is a view taken along the line 3—3 of FIG. 1; FIG. 4 is a view taken along the line 4—4 of FIG. 1; and FIG. 5 is a bottom plan view thereof.



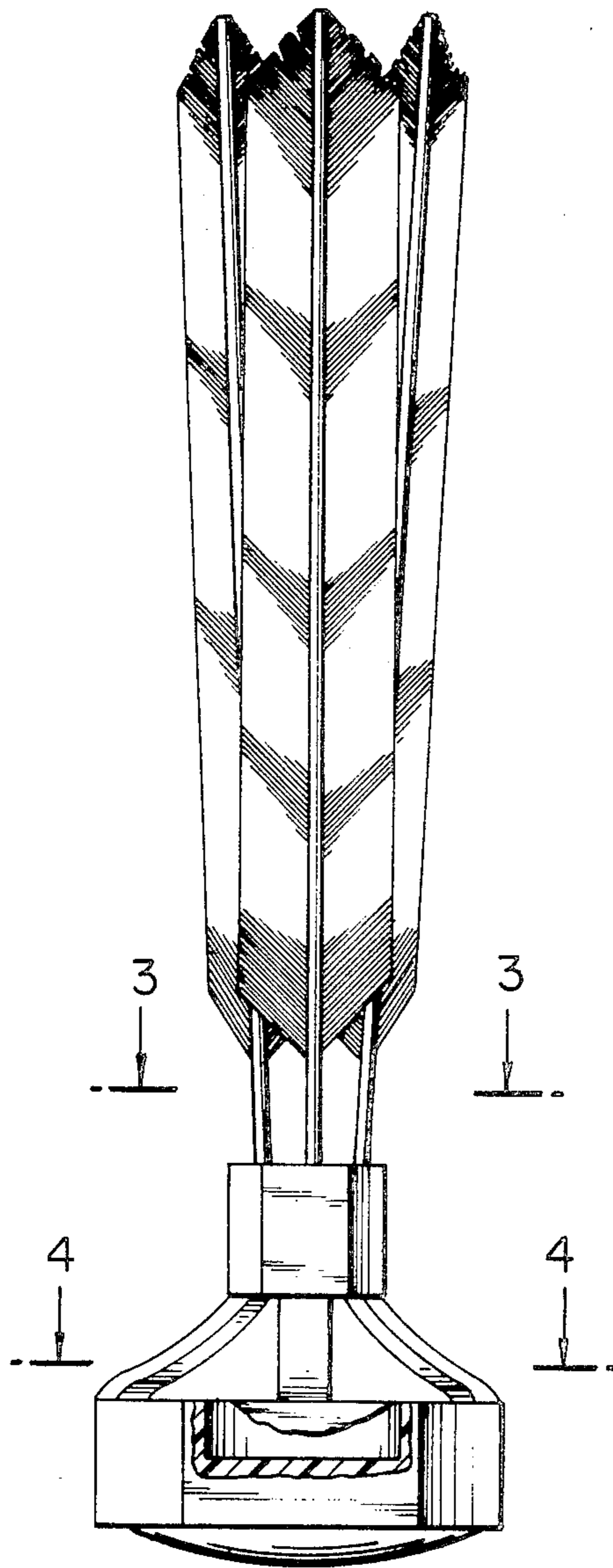


FIG. 1

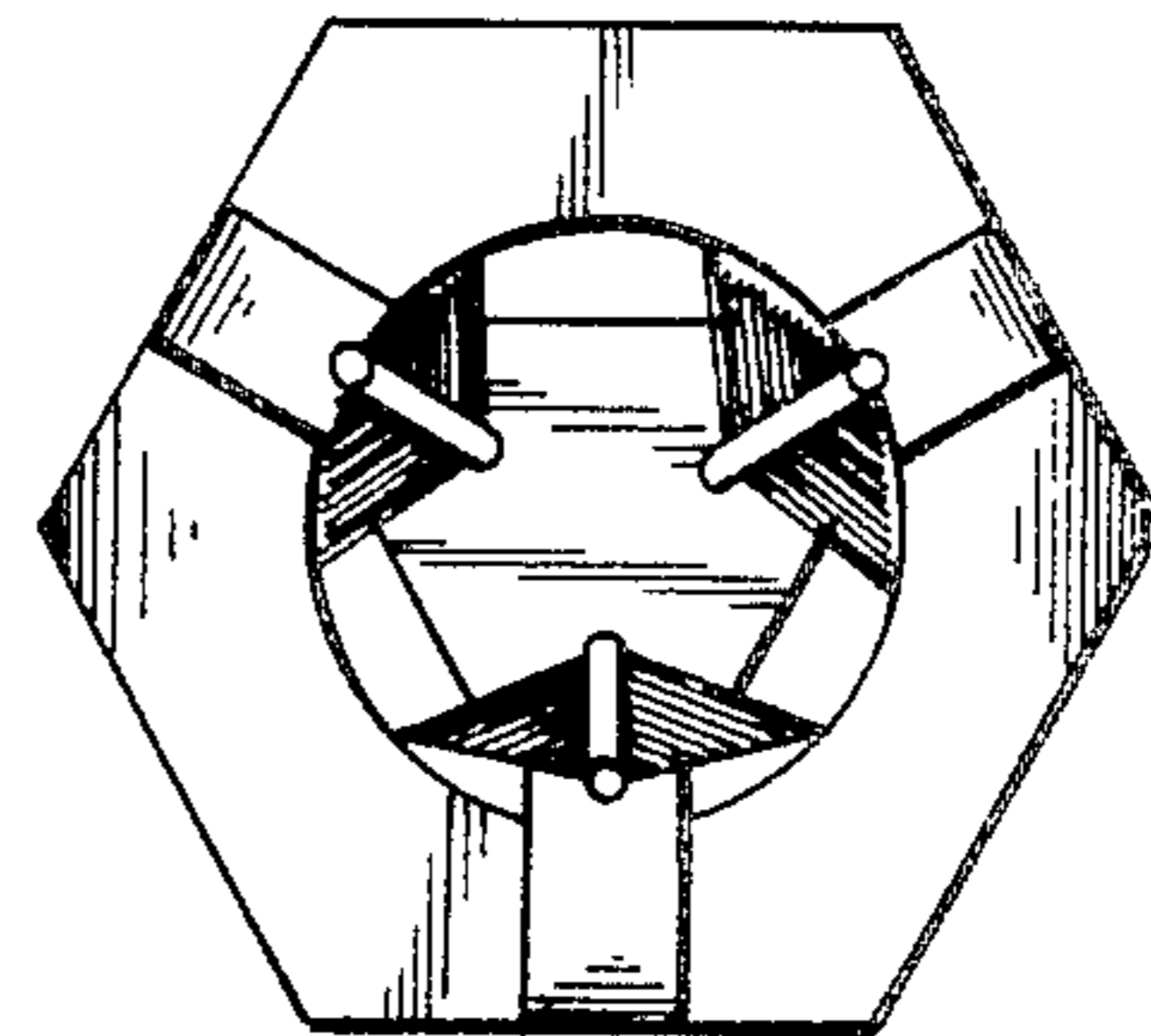


FIG. 2

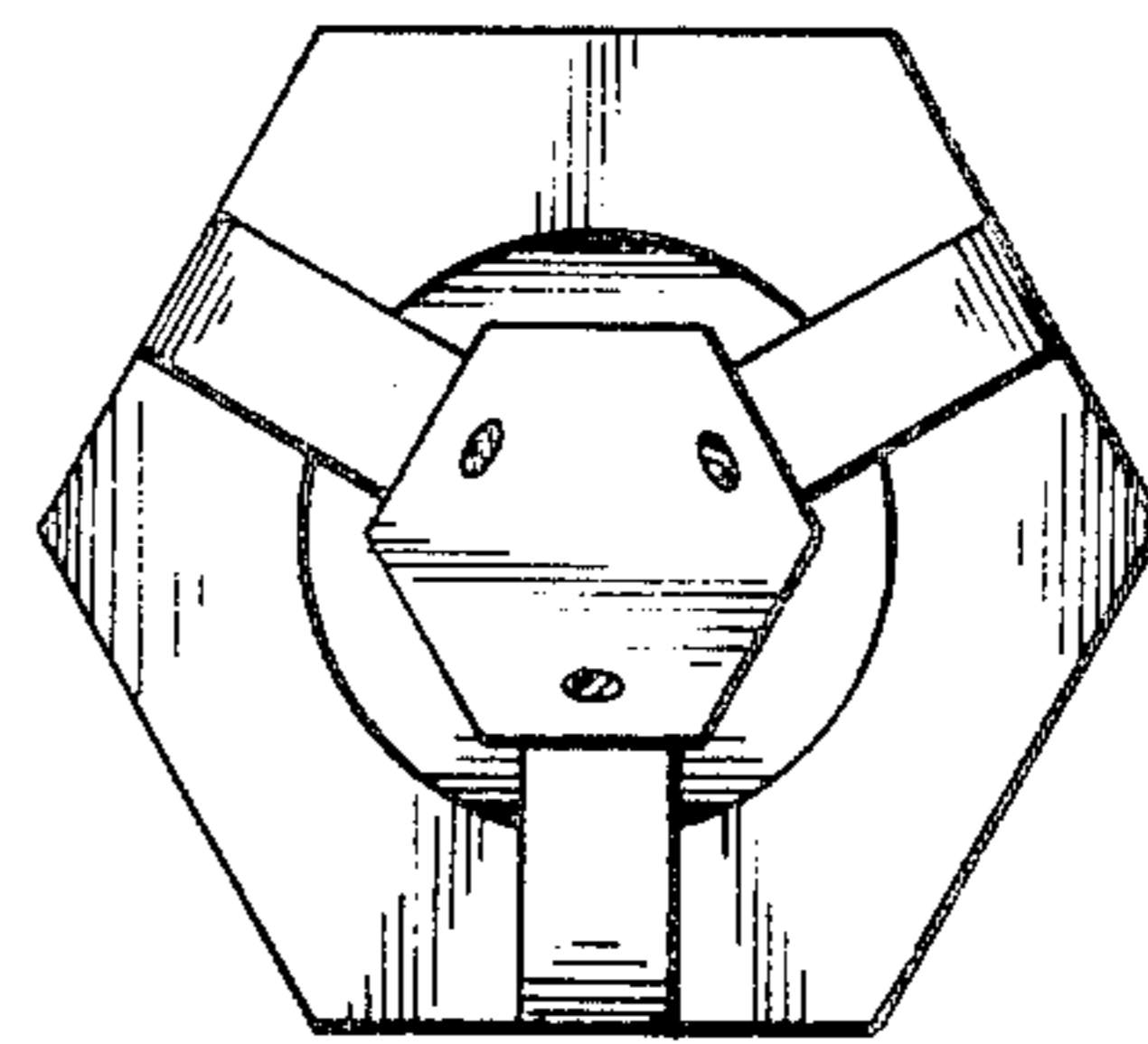


FIG. 3

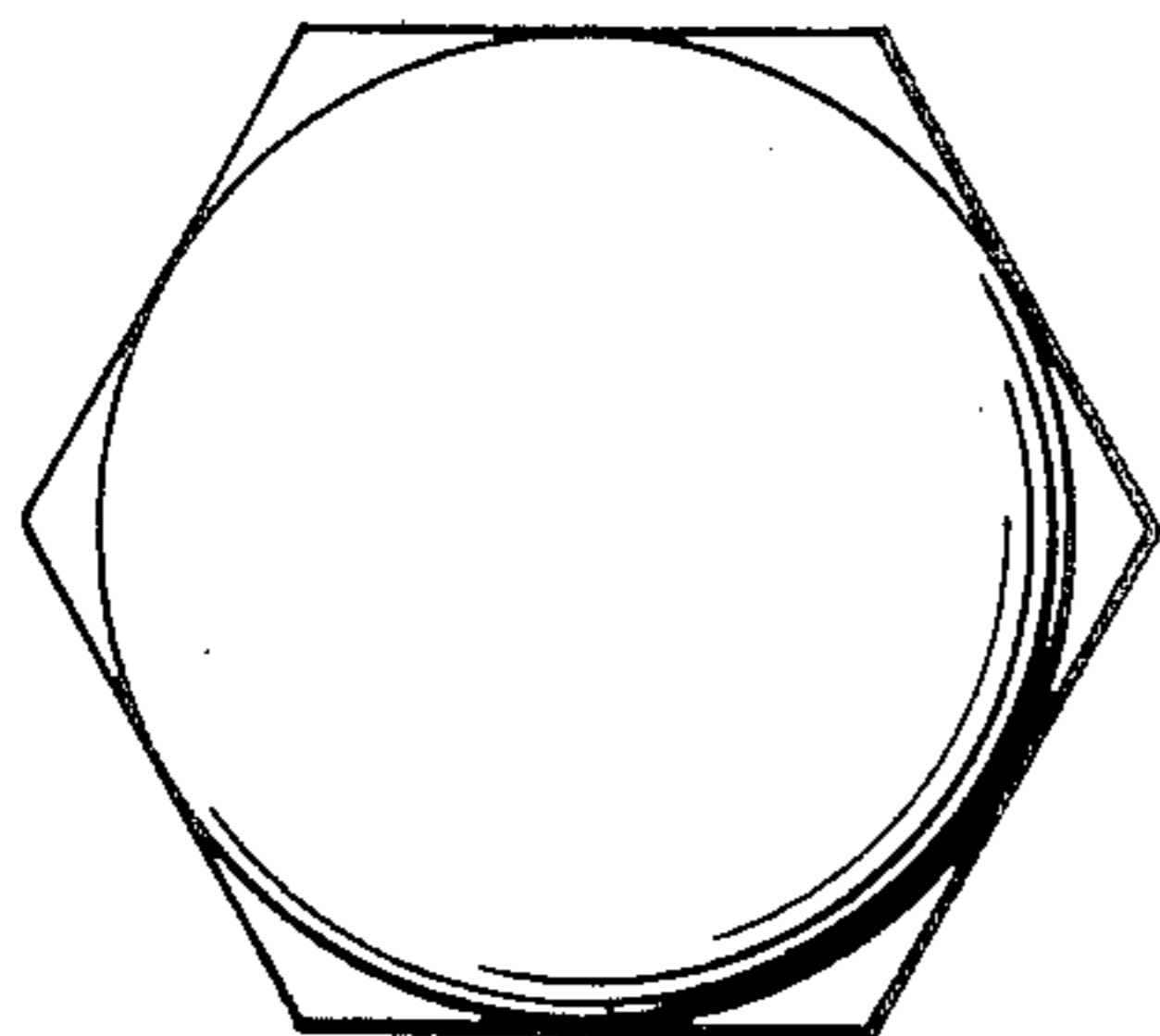


FIG. 5

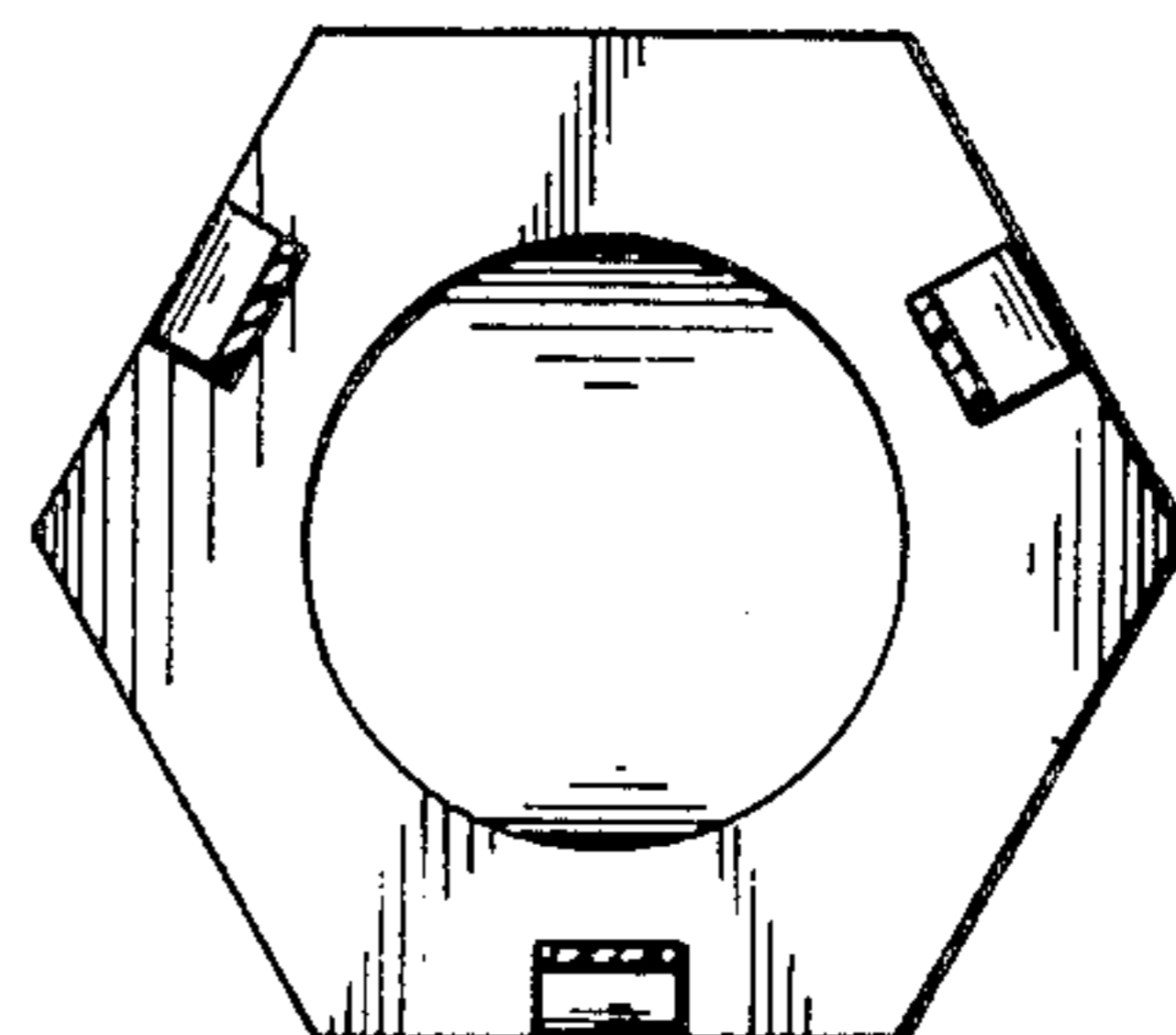


FIG. 4