

[54] SIGHT

[75] Inventor: Albert W. Cannon, Poole, England

[73] Assignee: Focal Point Limited, England

[\*\*] Term: 14 Years

[21] Appl. No.: 637,416

[22] Filed: Aug. 3, 1984

[30] Foreign Application Priority Data

Feb. 7, 1984 [GB] United Kingdom ..... 1017751

[52] U.S. Cl. .... D16/132

[58] Field of Search ..... 33/233, 246, 247, 248, 33/254, 245, 249, 250; 42/1.5; D22/8.1, 7.3; D16/132; 356/251

[56] References Cited

U.S. PATENT DOCUMENTS

3,645,635	2/1972	Steck	42/1.5 X
3,820,248	6/1974	Hayward	42/1.5 X
4,458,436	7/1984	Bahl	42/1.5
4,461,087	7/1984	Norman	42/1.5 X
4,524,534	6/1985	Kaye et al.	42/1.5

FOREIGN PATENT DOCUMENTS

2710014	9/1978	Fed. Rep. of Germany	42/1.5
1047922	7/1963	United Kingdom	.
1074770	10/1965	United Kingdom	.
1332512	10/1970	United Kingdom	.
1532090	4/1976	United Kingdom	.

OTHER PUBLICATIONS

Gun World, Jul. 1983, p. 25, Aimpoint Scope at top of page.

Primary Examiner—A. Hugo Word  
Attorney, Agent, or Firm—Wegner & Bretschneider

[57] CLAIM

The ornamental design for a sight, substantially as shown and as described.

DESCRIPTION

FIG. 1 is a side elevational view of a sight showing my new design;  
FIG. 2 is an elevational view of the other side thereof;  
FIG. 3 is a top plan view thereof;  
FIG. 4 is a bottom plan view thereof;  
FIG. 5 is a front elevational view thereof; and  
FIG. 6 is a rear elevational view thereof.

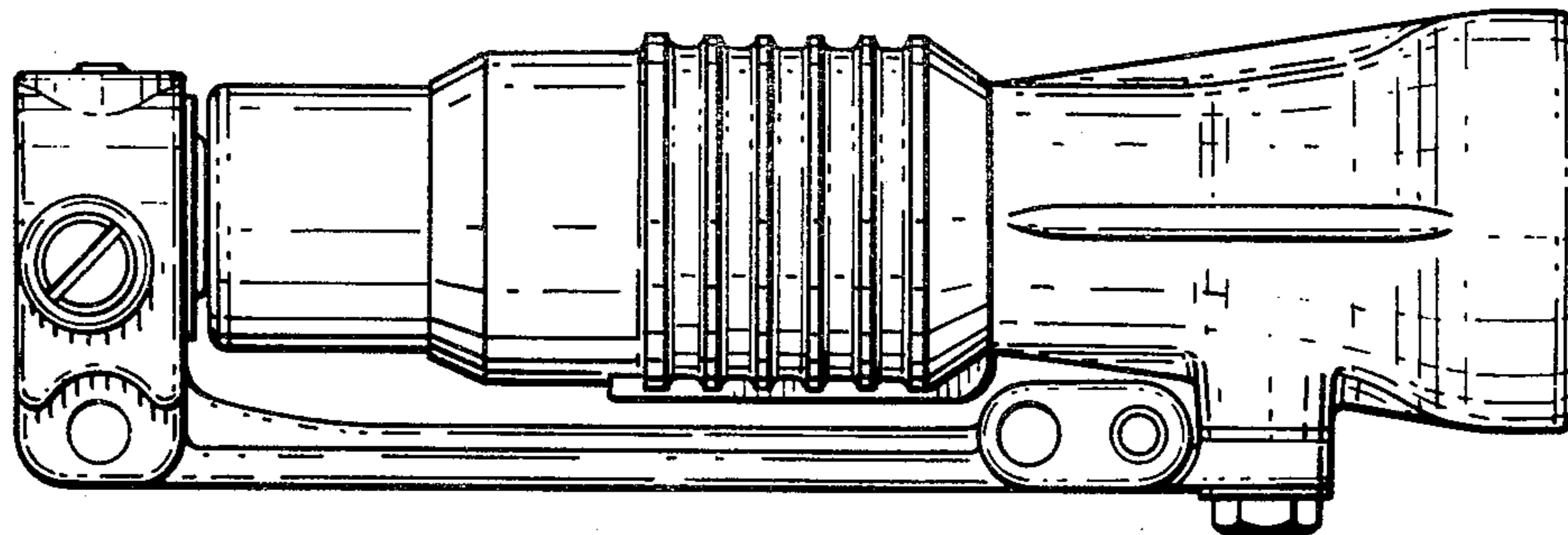


FIG. 1.

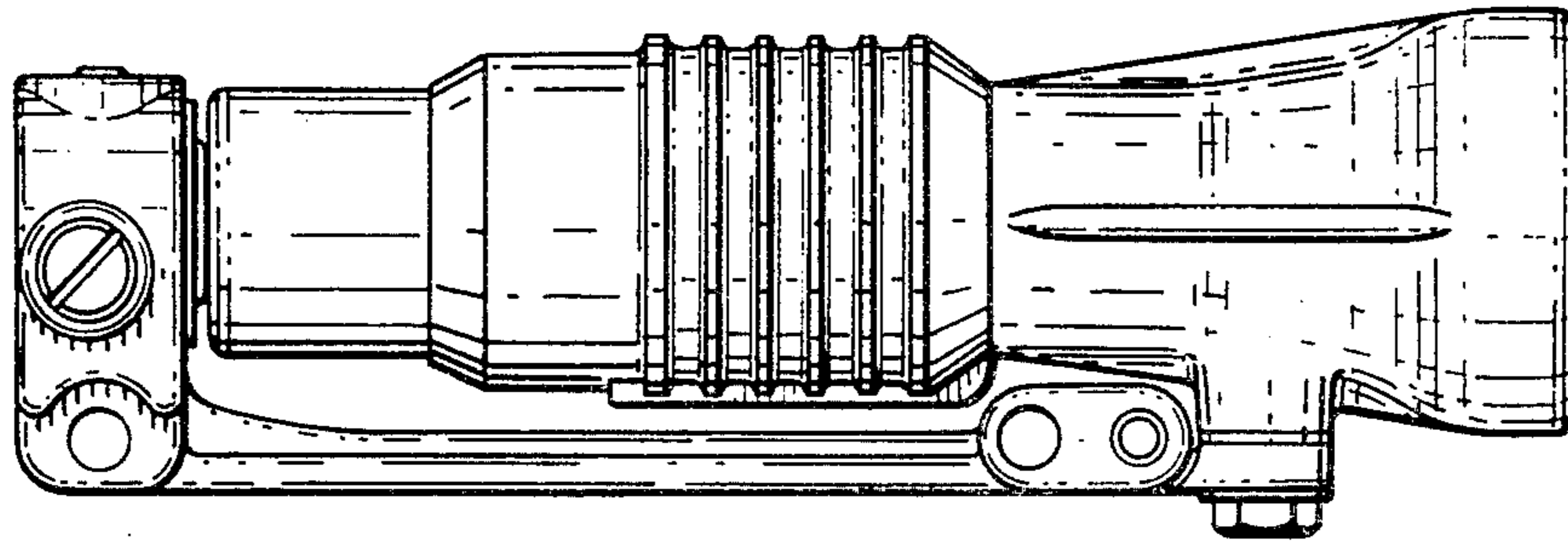


FIG. 2.

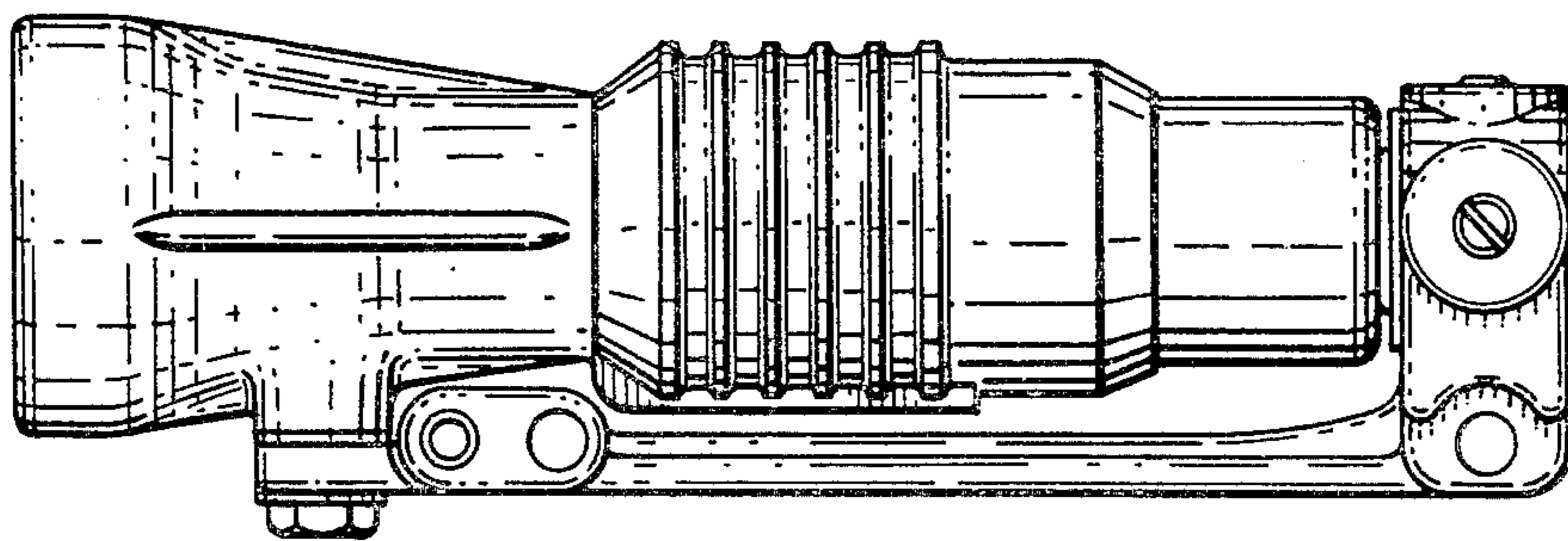


FIG.3.

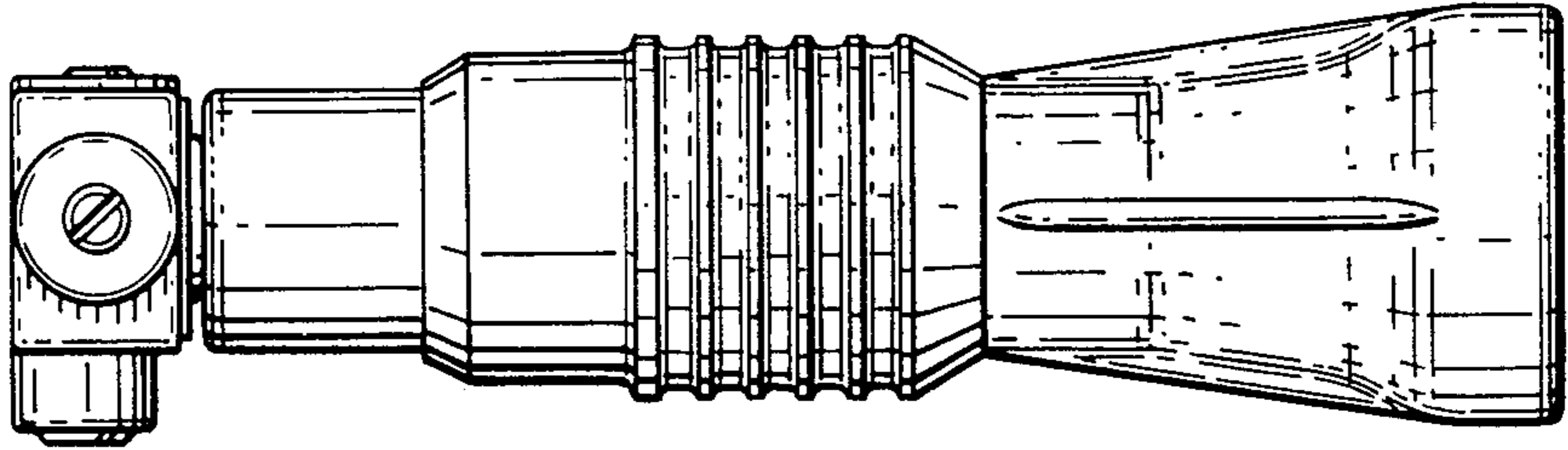


FIG.4.

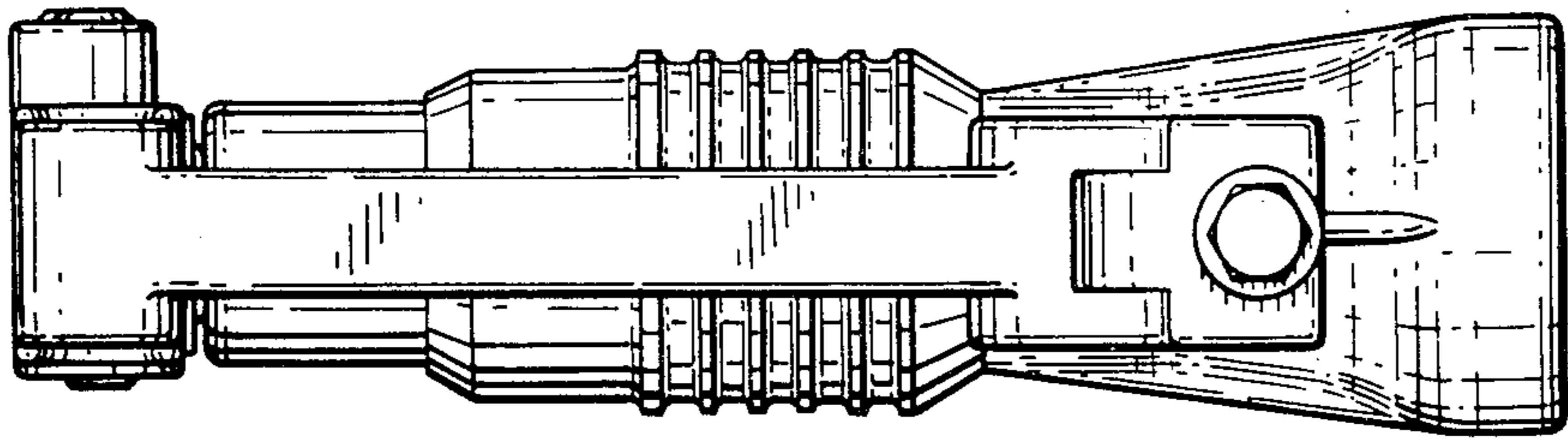


FIG.5.

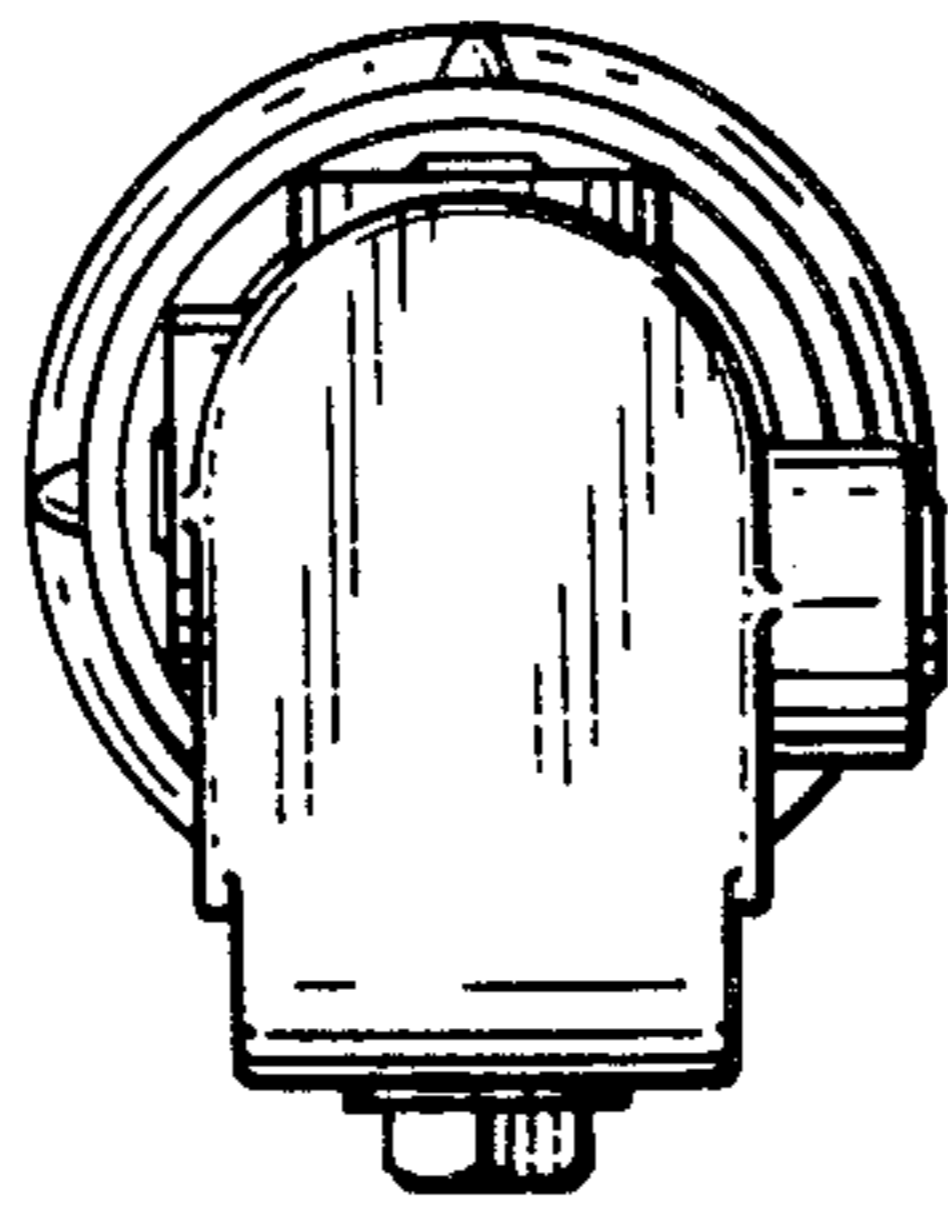
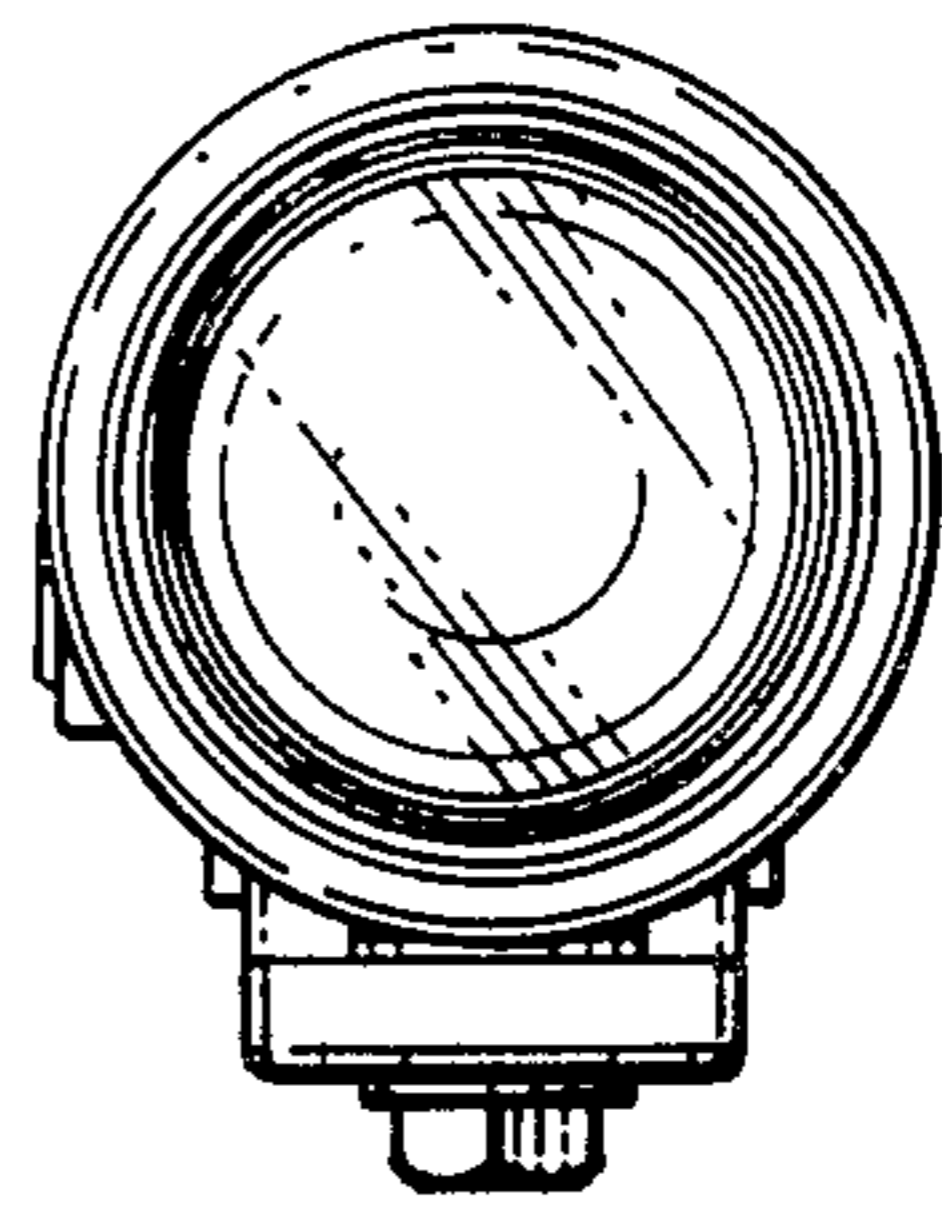


FIG.6.



UNITED STATES PATENT AND TRADEMARK OFFICE  
**CERTIFICATE OF CORRECTION**

PATENT NO. : Des. 287,977  
DATED : Jan. 27, 1987  
INVENTOR(S) : Albert W. Cannon

It is certified that error appears in the above-identified patent and that said Letters Patent is hereby corrected as shown below:

On the Cover Page Change:

"[73] Assignee: Focal Point Limited, England" to  
--[73] Assignee: Focalpoint Armoury Limited, England--

**Signed and Sealed this  
Sixteenth Day of June, 1987**

*Attest:*

*Attesting Officer*

DONALD J. QUIGG

*Commissioner of Patents and Trademarks*