

[54] COMBINED CAMERA AND FILM CASSETTE THEREFOR

4,077,041 2/1978 Imura 354/288 X
4,344,685 9/1982 Milatz et al. .
4,420,240 12/1983 Katsuma 354/288

[75] Inventors: Hiroshi Nakazawa, Tokyo, Japan;
Kazushi Koida, Hong Kong, Hong Kong

[73] Assignee: Seibido Co. Ltd., Tokyo, Japan;
Sanyei Corp. Hong Kong Ltd., Hong Kong, Hong Kong

[**] Term: 14 Years

[21] Appl. No.: 875,743

[22] Filed: Jun. 17, 1986

[52] U.S. Cl. D16/1; D16/6;
D16/2; D16/9

[58] Field of Search D16/1-10;
354/173-174, 187, 202-203, 212-214, 288

[56] References Cited

U.S. PATENT DOCUMENTS

- D. 114,323 4/1939 Galter D16/9
- D. 120,735 5/1940 Kende .
- D. 131,631 3/1942 Lawrence .
- D. 160,858 11/1950 Grove .
- D. 168,088 11/1952 Corsi et al. .
- D. 212,391 10/1968 Dietz D10/81 X
- D. 217,304 4/1970 Doblin .
- D. 223,550 5/1972 Camuso D16/9
- 3,412,662 11/1968 Balalis 354/202
- 3,603,232 9/1971 Jones 354/212
- 3,605,591 6/1969 Rigolini et al. .
- 3,782,259 1/1974 Noble 354/202 X

OTHER PUBLICATIONS

Design-10/85-p. 34-Camera at center.

*Primary Examiner-Nelson C. Holtje
Attorney, Agent or Firm-Ostrolenk, Faber, Gerb and Soffen*

[57] CLAIM

The ornamental design for a combined camera and film cassette therefor, as shown and described.

DESCRIPTION

FIG. 1 is a top and right front perspective view of a combined camera and film cassette therefor showing our new design;
 FIG. 2 is a bottom and left rear perspective view thereof;
 FIG. 3 is a right front perspective view thereof, with the film cassette omitted for ease of illustration;
 FIG. 4 is a top plan view of FIG. 3;
 FIG. 5 is a bottom plan view of FIG. 3;
 FIG. 6 is a front elevational view of FIG. 3;
 FIG. 7 is a right side elevational view of FIG. 3;
 FIG. 8 is a left side elevational view of FIG. 3;
 FIG. 9 is a rear elevational view of FIG. 3;
 FIG. 10 is a right front perspective view of FIG. 3 with portions thereof in alternate positions;
 FIG. 11 is a left side elevational view of FIG. 10;
 FIG. 12 is a rear elevational view of FIG. 10;
 FIG. 13 is a bottom plan view of FIG. 10.

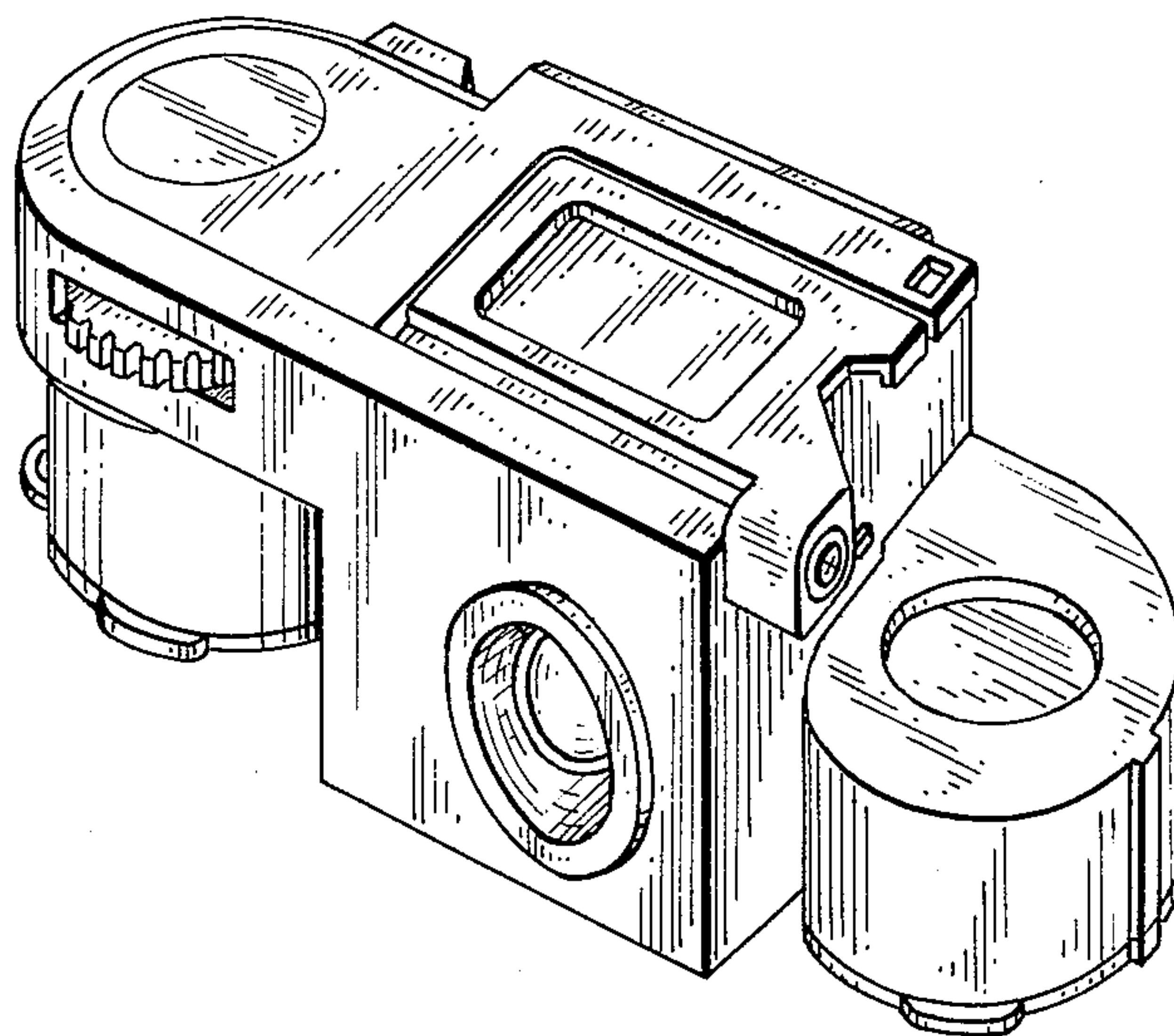


FIG. 1.

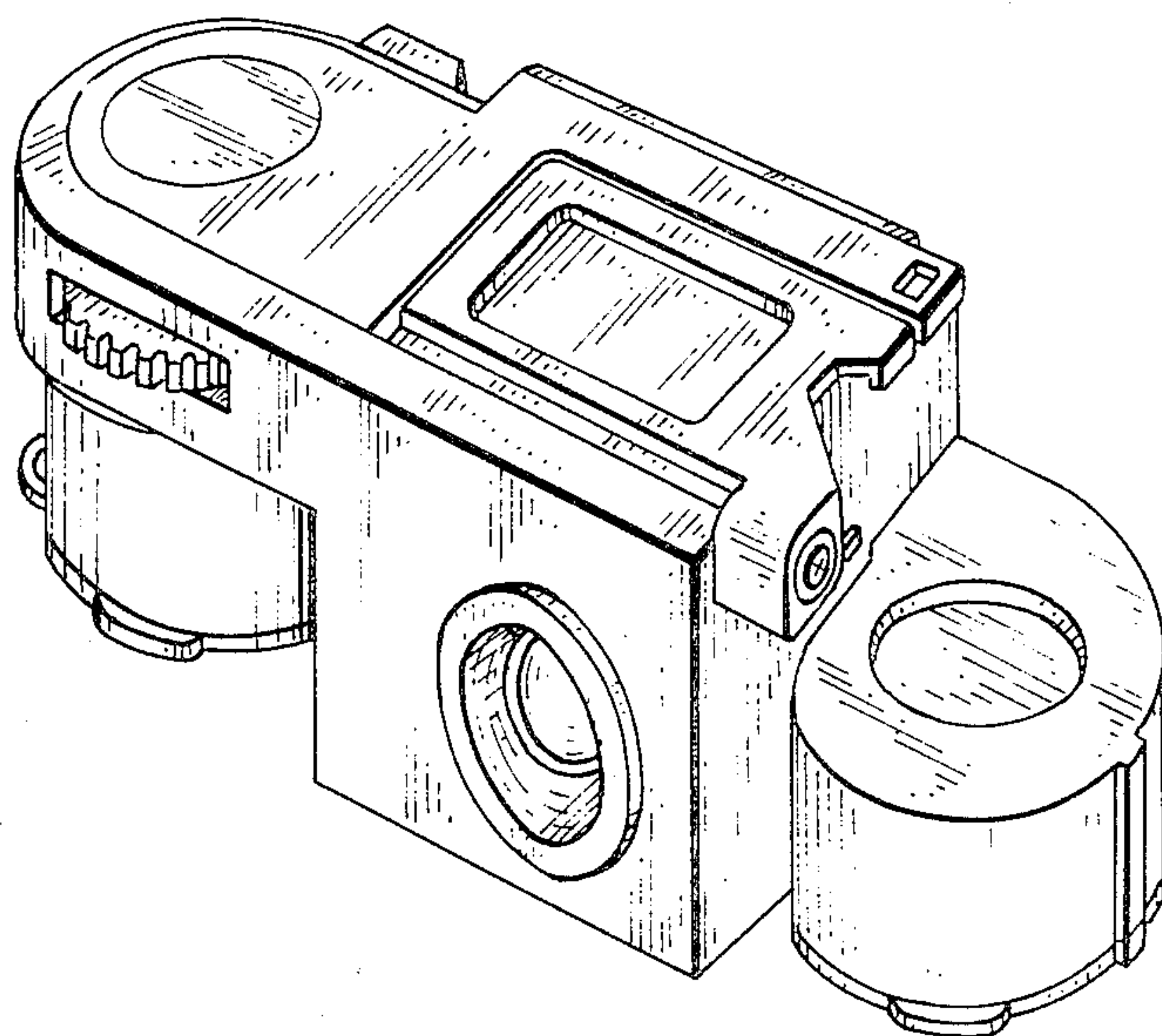


FIG. 2.

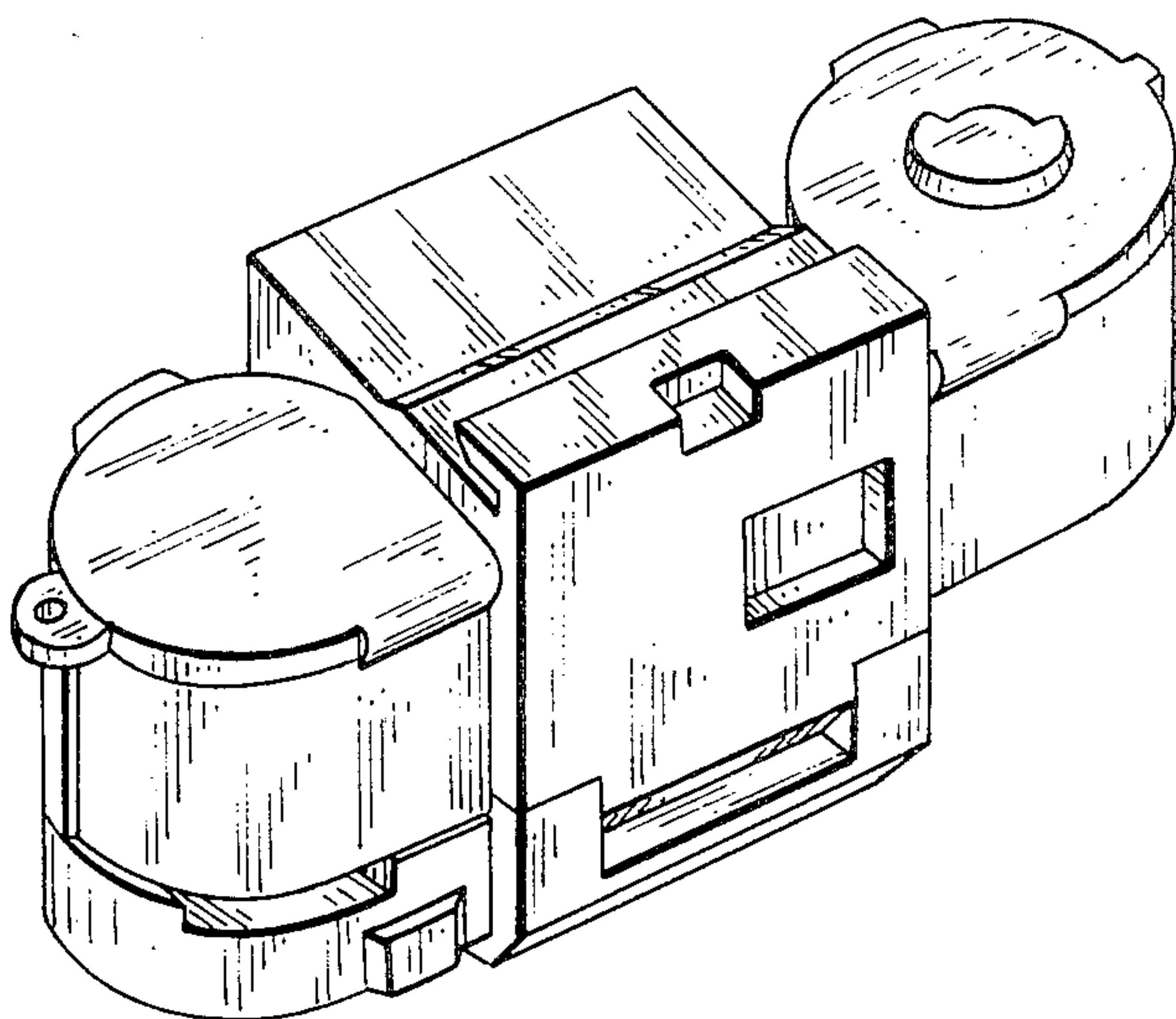


FIG. 3.

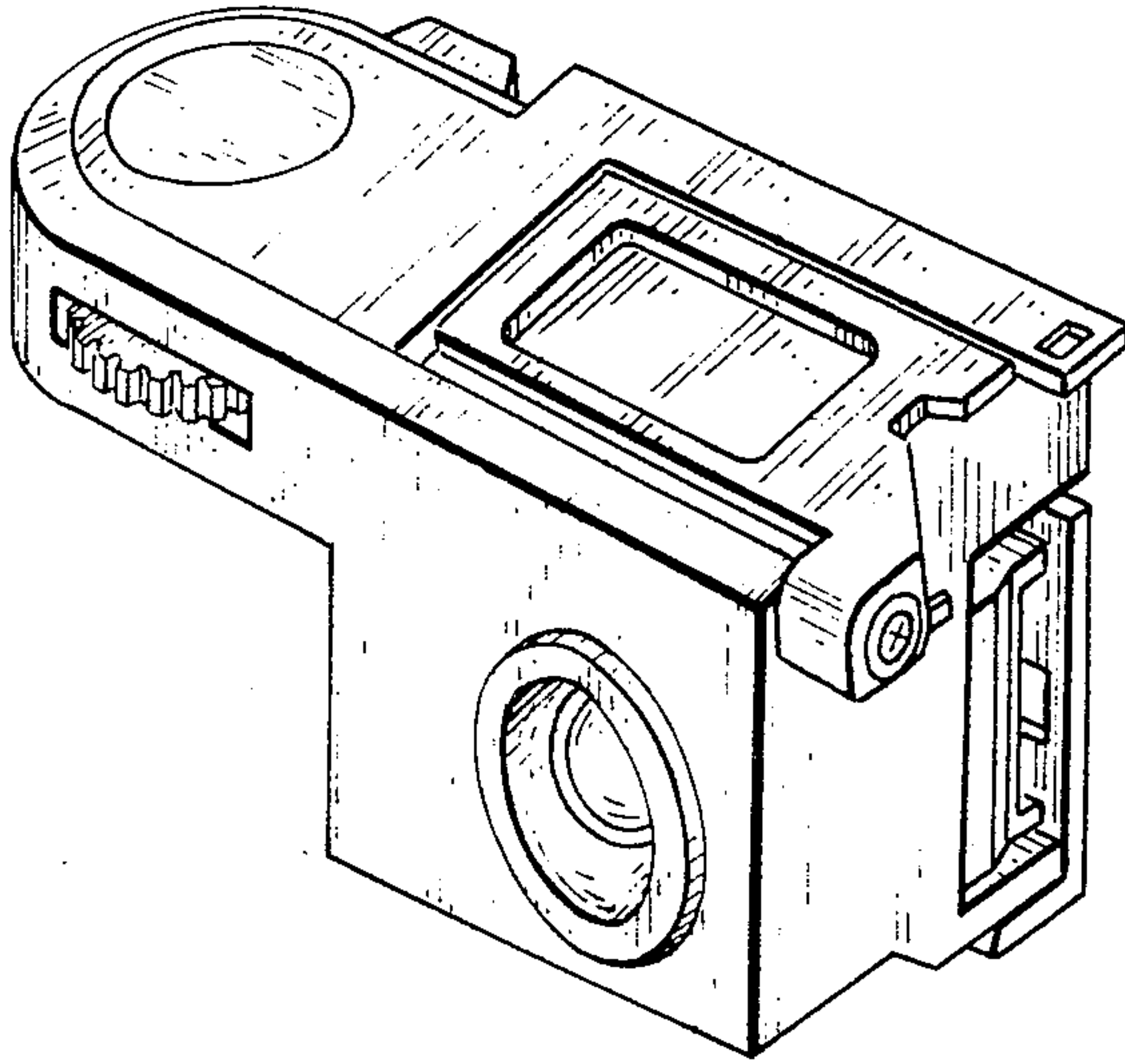


FIG. 4.

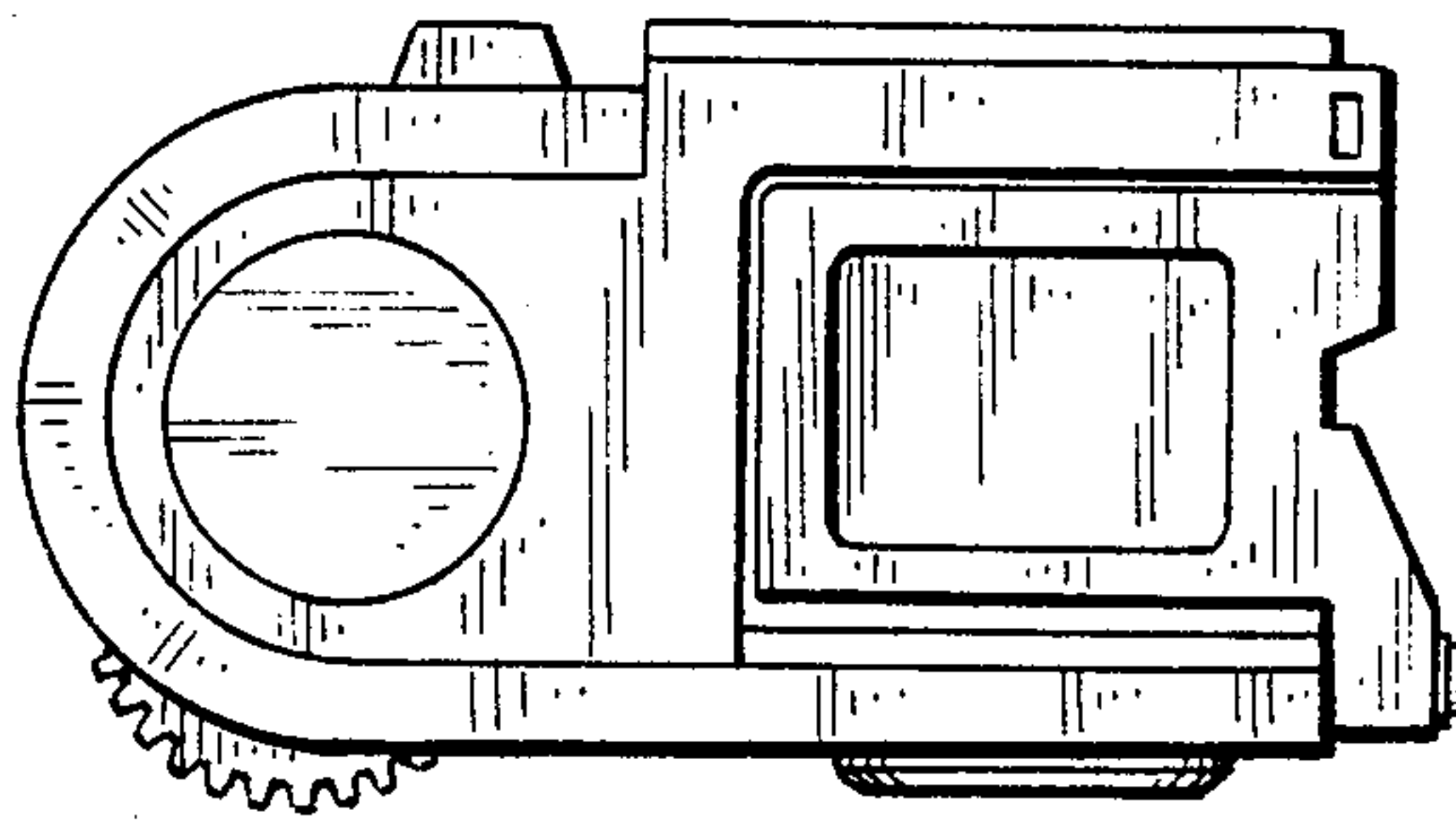


FIG. 5.

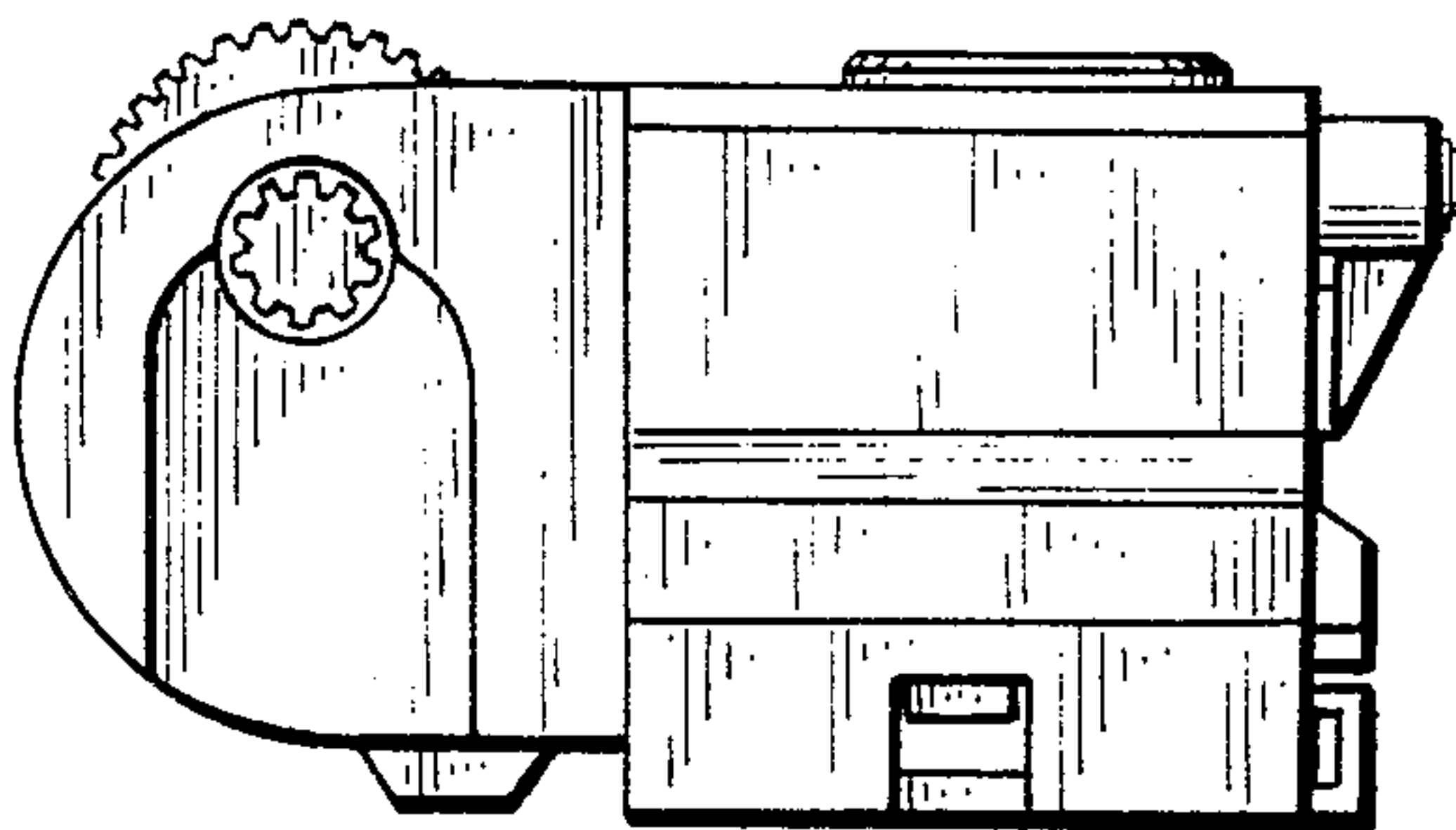


FIG. 6.

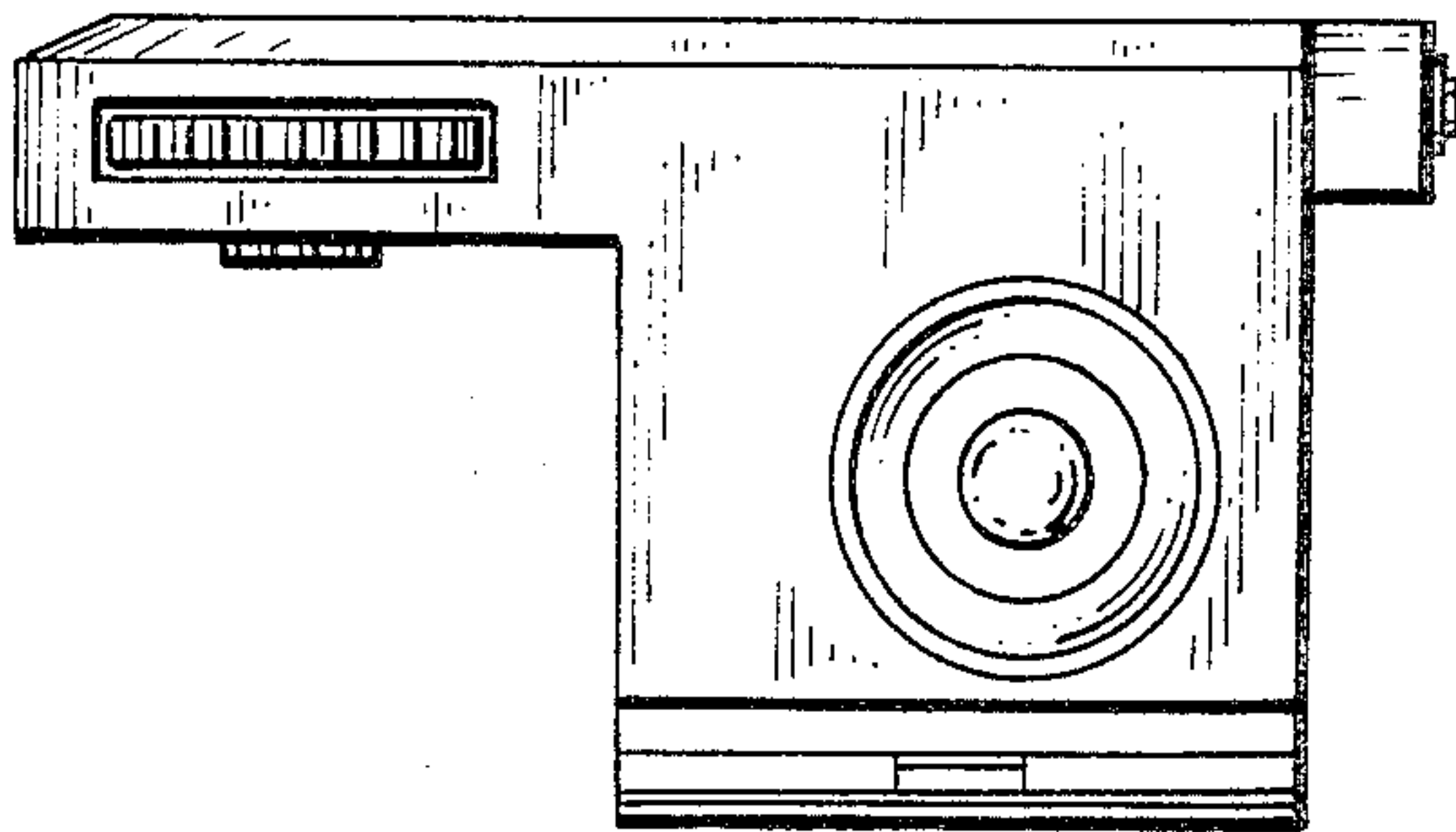


FIG. 7.

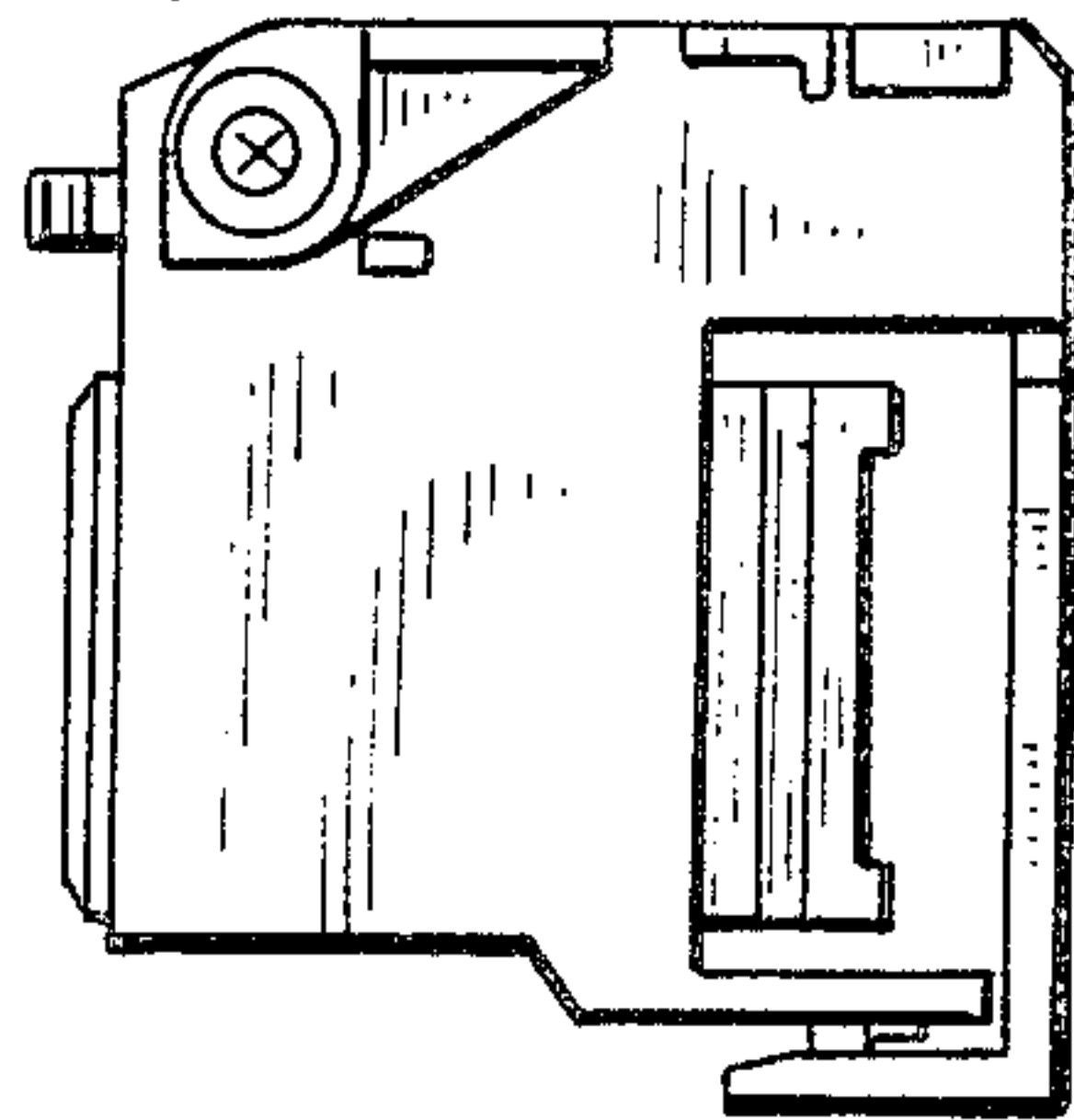


FIG. 8.

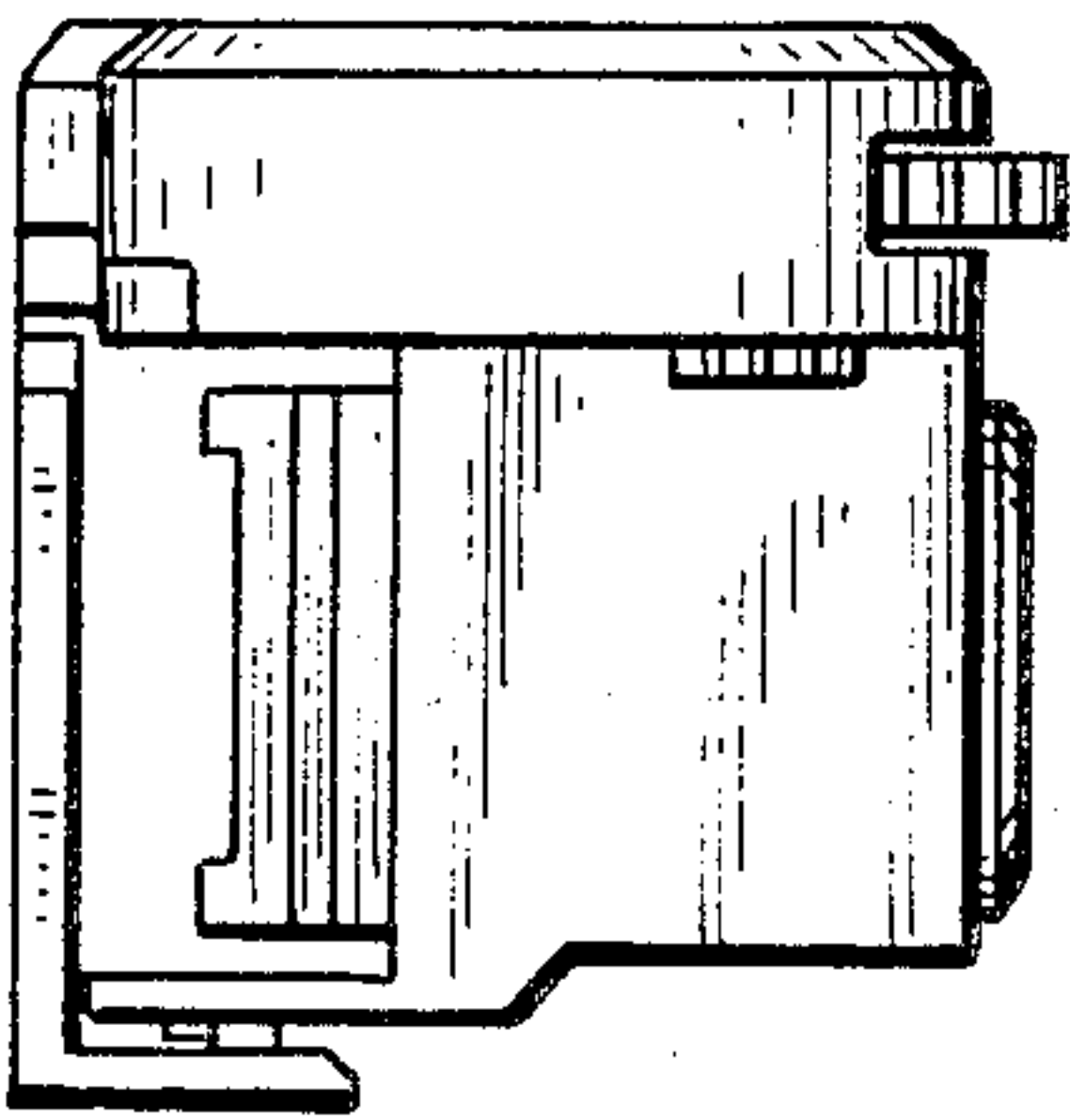


FIG. 9.

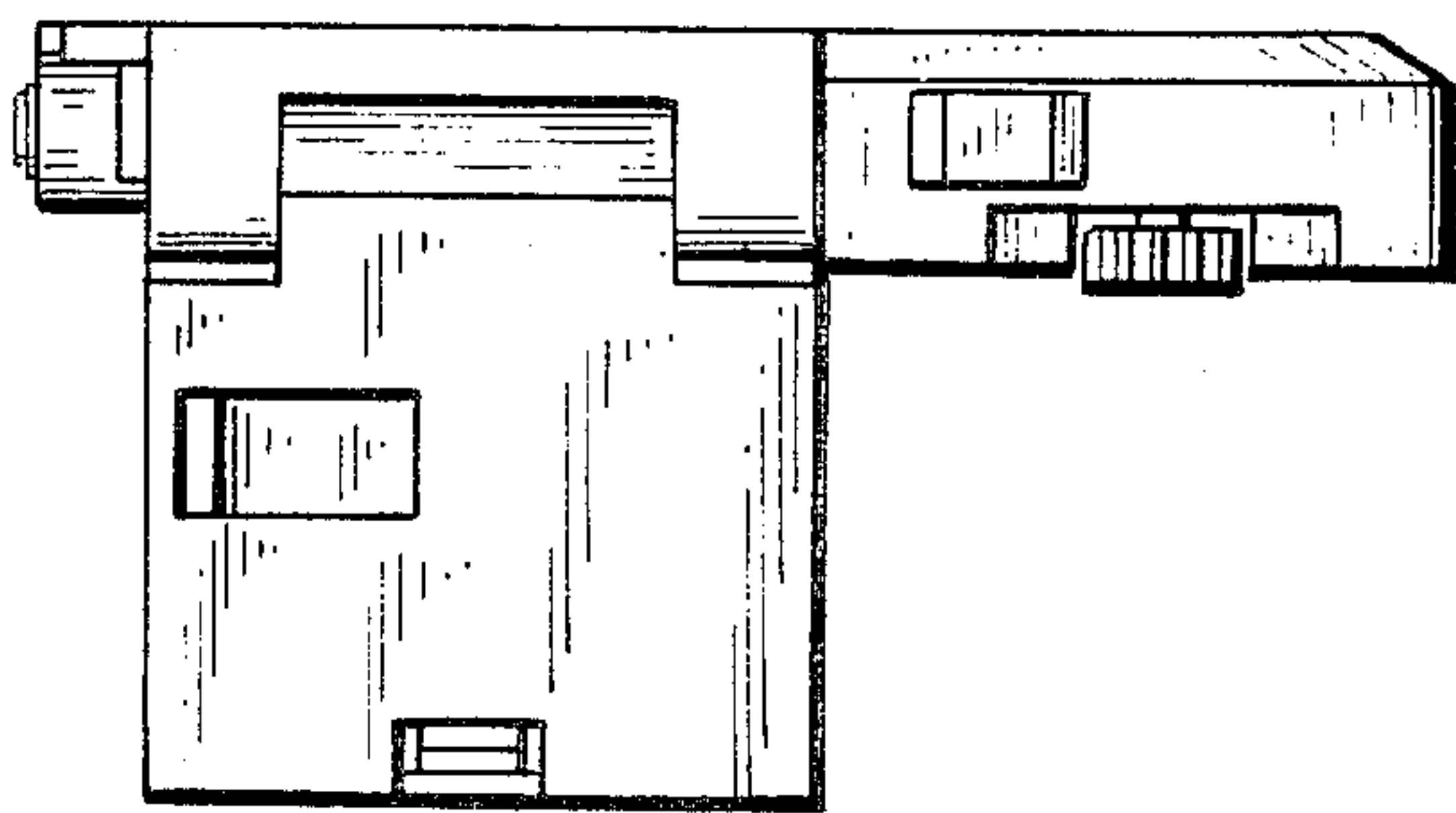


FIG. 10.

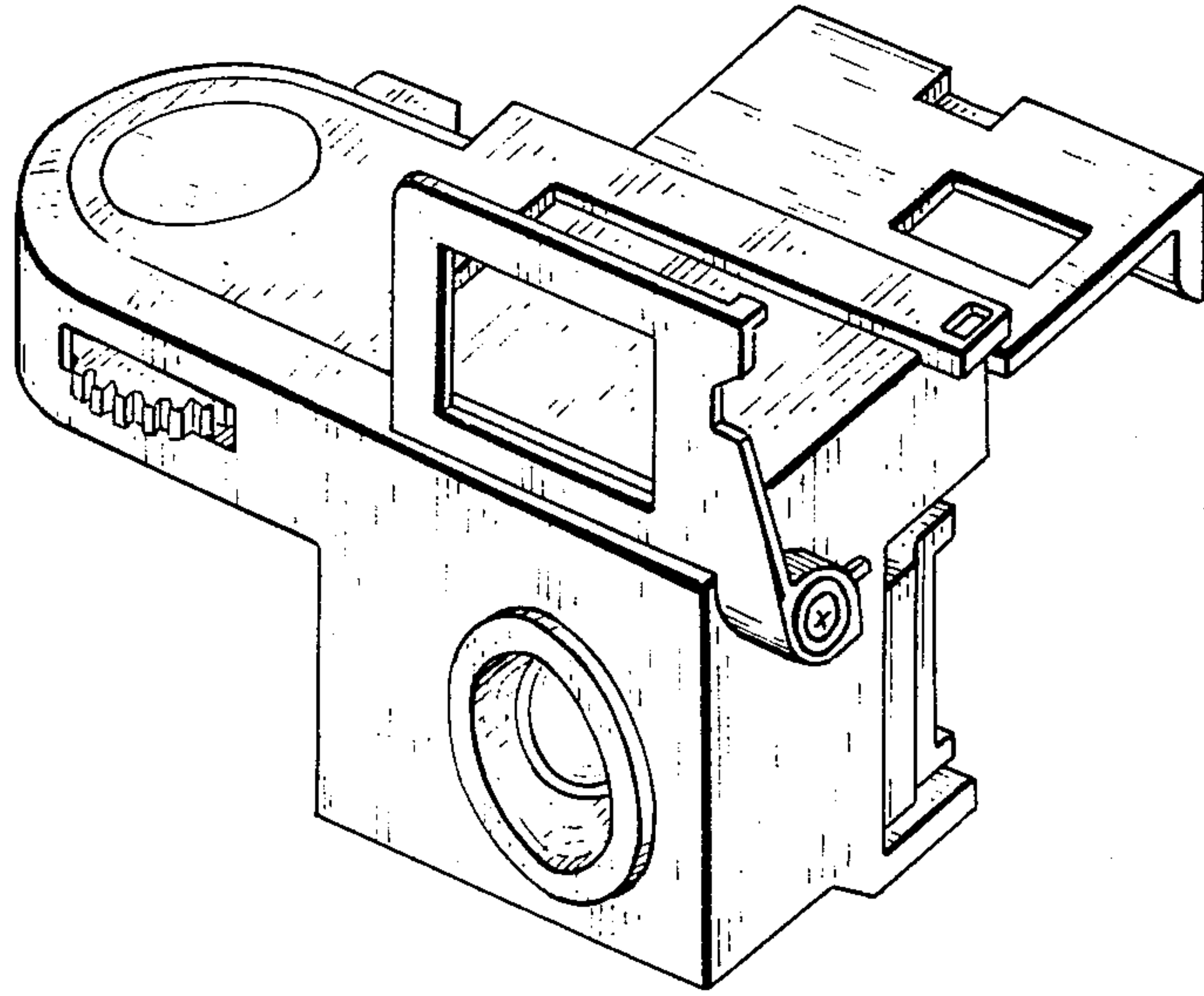


FIG. 11.

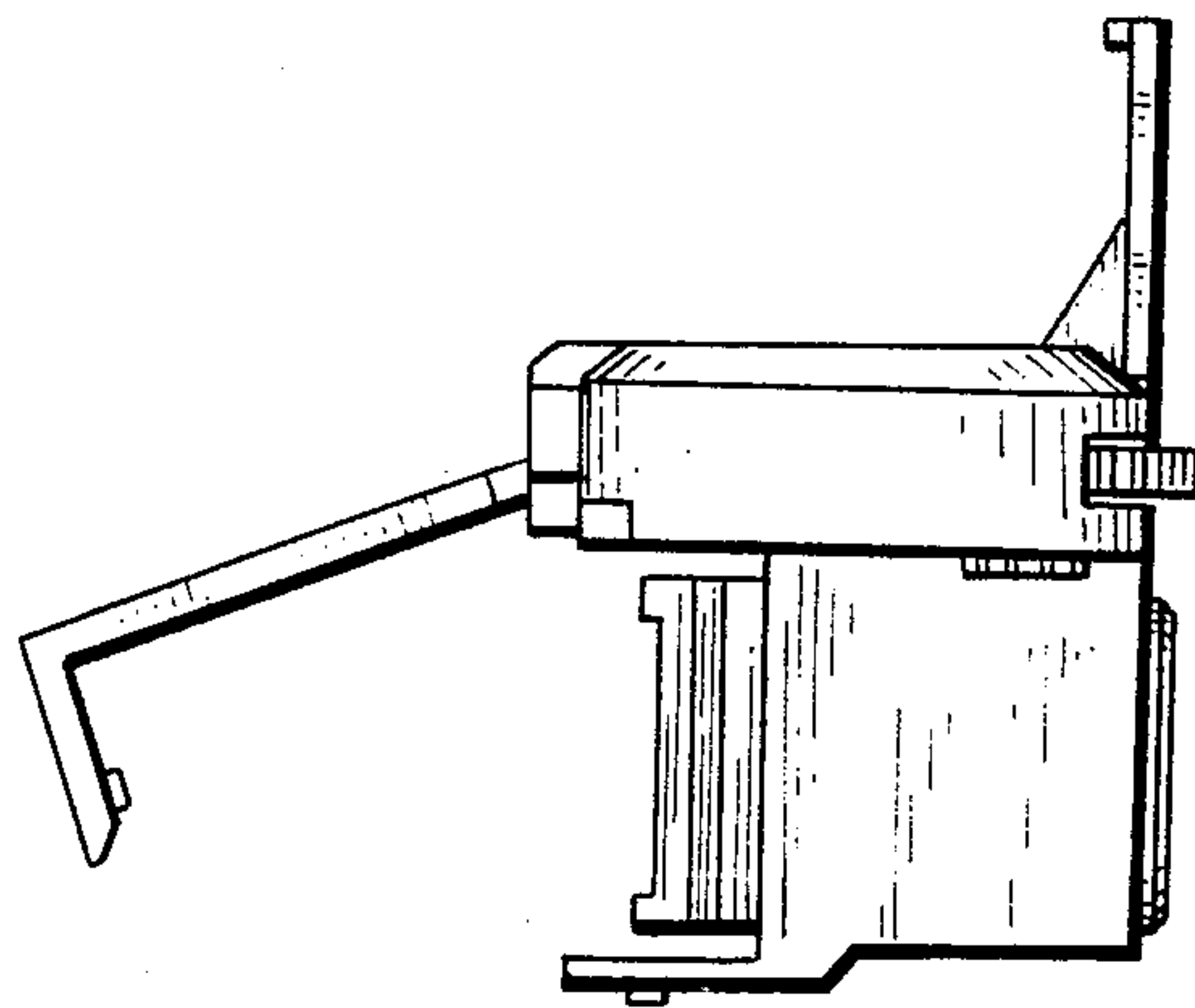


FIG. 12.

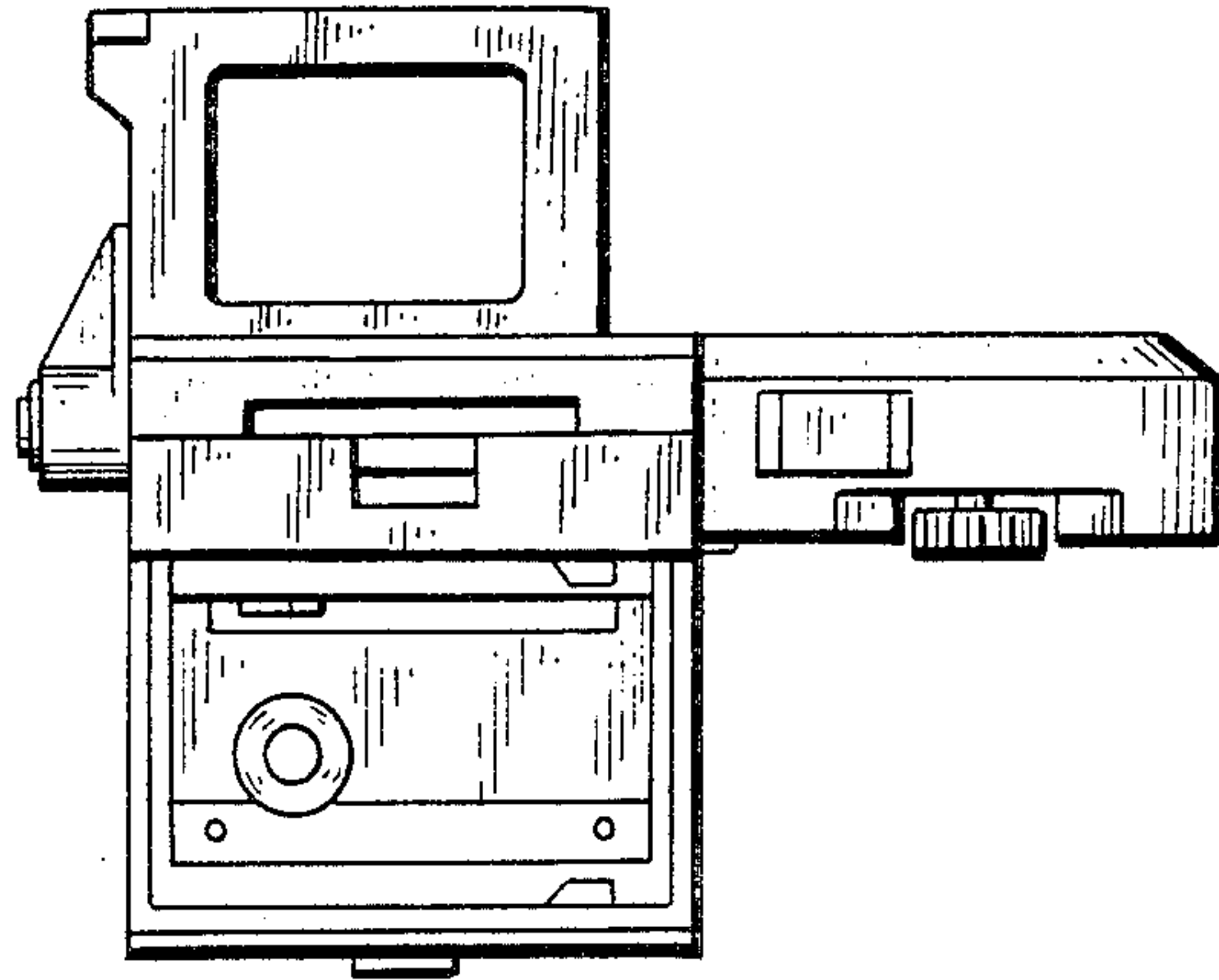


FIG. 13.

