

United States Patent [19]

Thompson

[11] Patent Number: **Des. 287,975**

[45] Date of Patent: **** Jan. 27, 1987**

[54] **BAND SAW GUIDE**

[76] Inventor: **William E. Thompson**, Rte. 1, Box 89,
Middletown, Ind. 47356

[**] Term: **14 Years**

[21] Appl. No.: **613,430**

[22] Filed: **May 24, 1984**

[52] U.S. Cl. **D15/134; D15/138**

[58] Field of Search **D15/134, 138; 83/814,
83/820, 821**

[56]

References Cited

U.S. PATENT DOCUMENTS

2,827,085	3/1958	Ocenasek	83/814
3,116,768	1/1964	Lasar	83/820
3,979,988	9/1976	Best	83/820
4,179,966	12/1979	Ginnow et al.	83/820

4,327,621 5/1982 Voorhees et al. 83/821

Primary Examiner—B. J. Bullock
Attorney, Agent, or Firm—Woodard, Weikart, Emhart &
Naughton

[57] **CLAIM**

The ornamental design for a band saw guide, as shown
and described.

DESCRIPTION

FIG. 1 is a top plan view of a band saw guide showing
my new design;

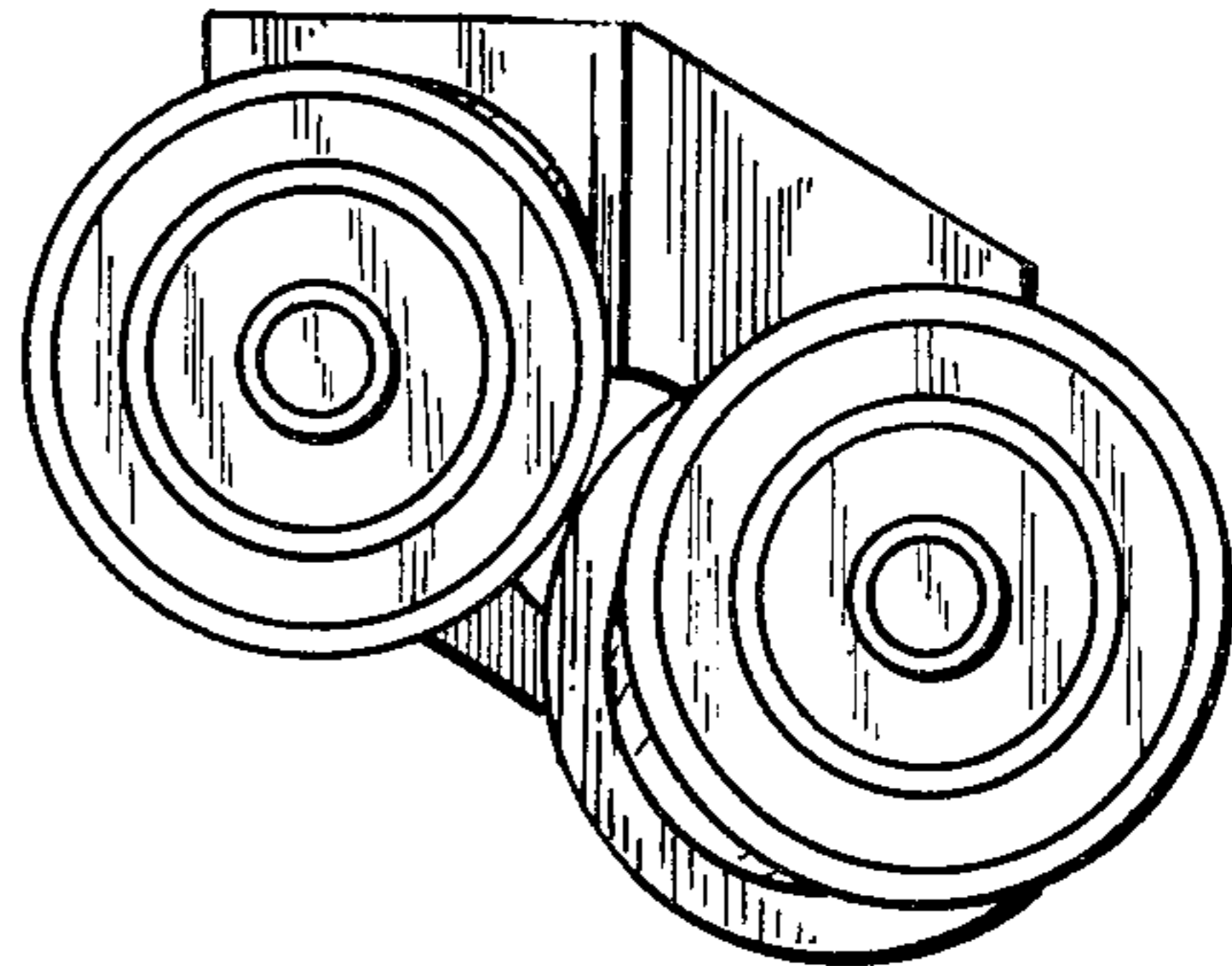
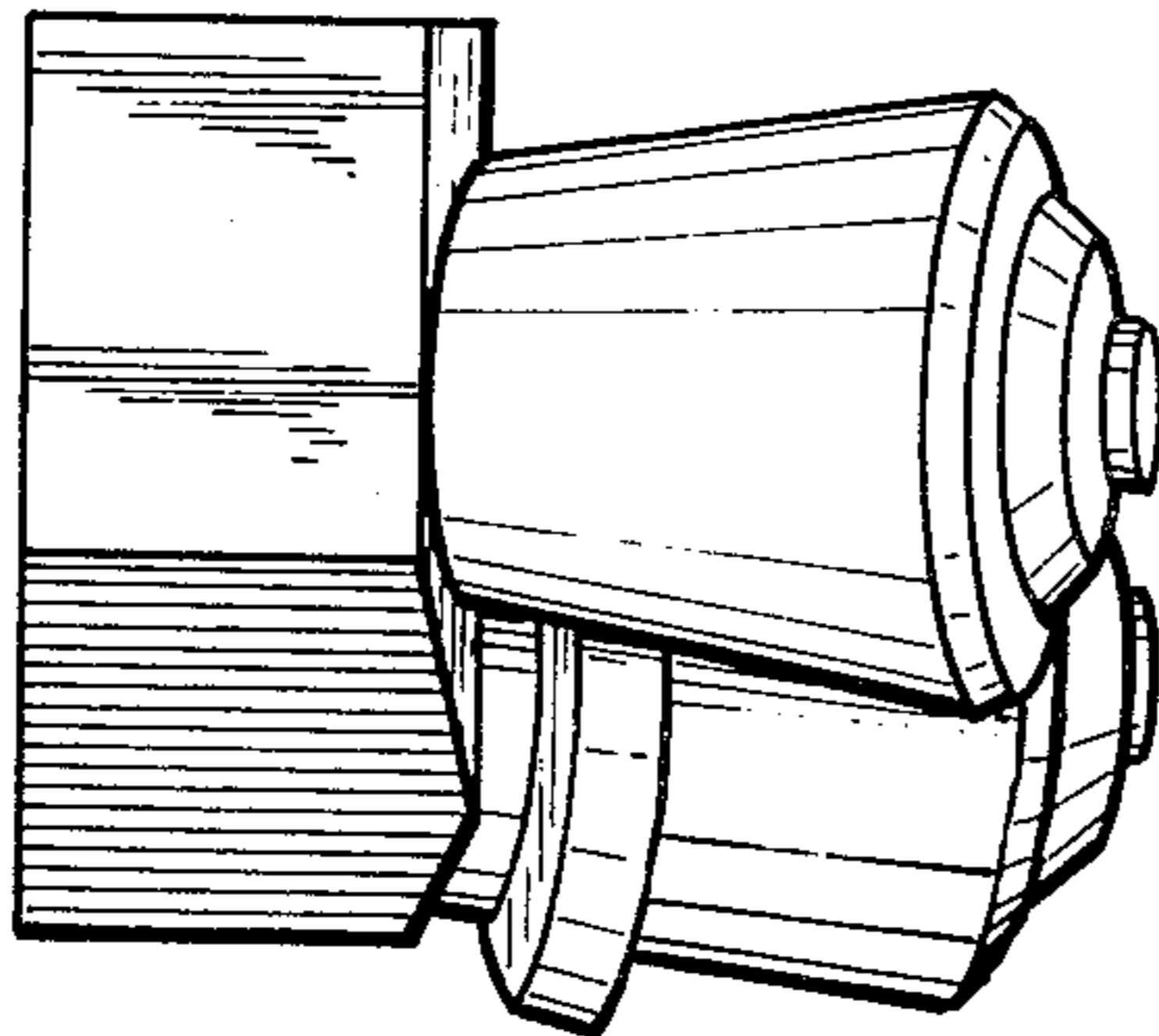
FIG. 2 is a left side elevational view thereof;

FIG. 3 is a front elevational view thereof;

FIG. 4 is a right side elevational view thereof;

FIG. 5 is a bottom plan view thereof; and

FIG. 6 is a rear elevational view thereof, the broken line
showing of a portion of a band saw blade is for illustra-
tive purposes only.



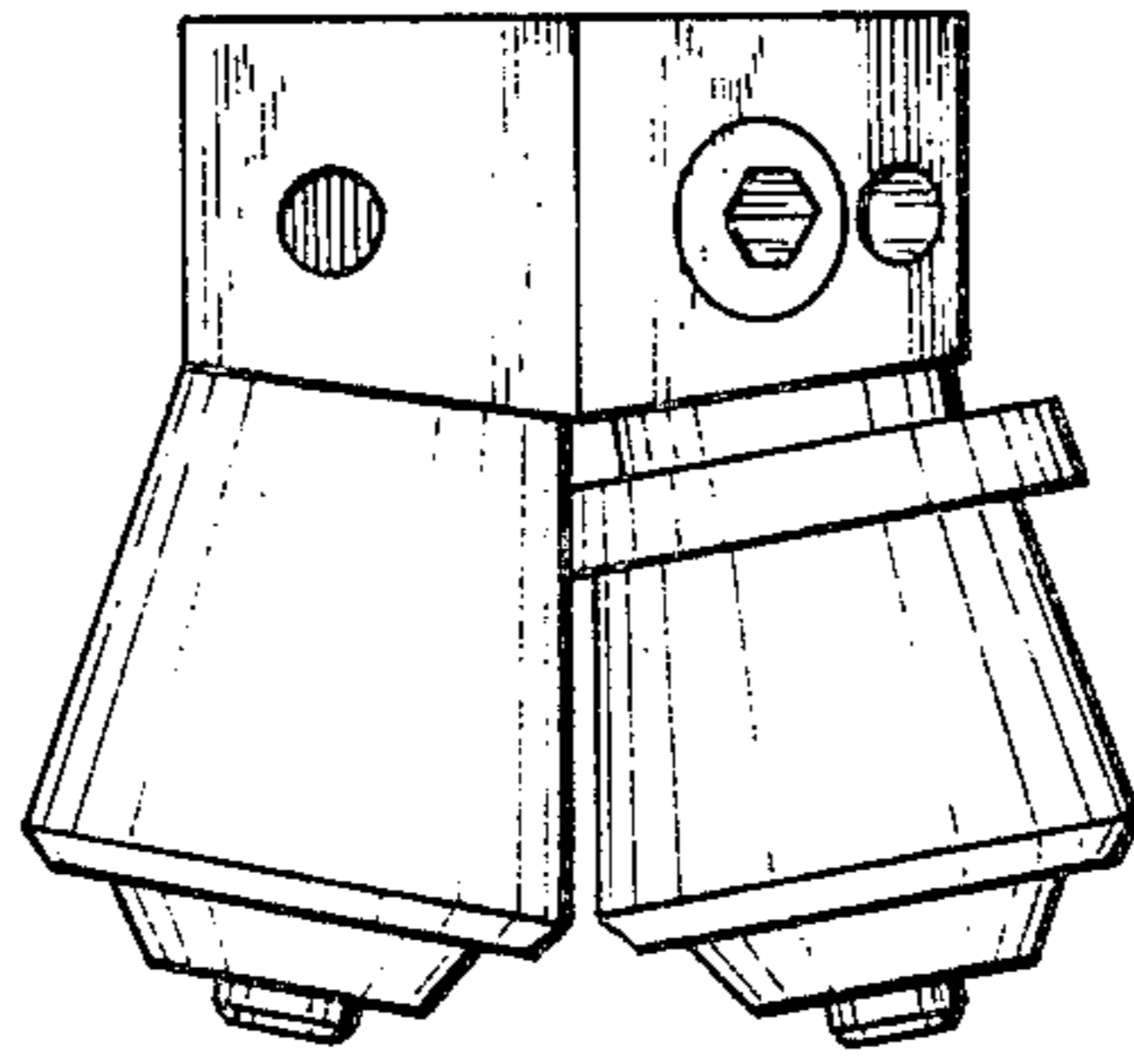


Fig. 1

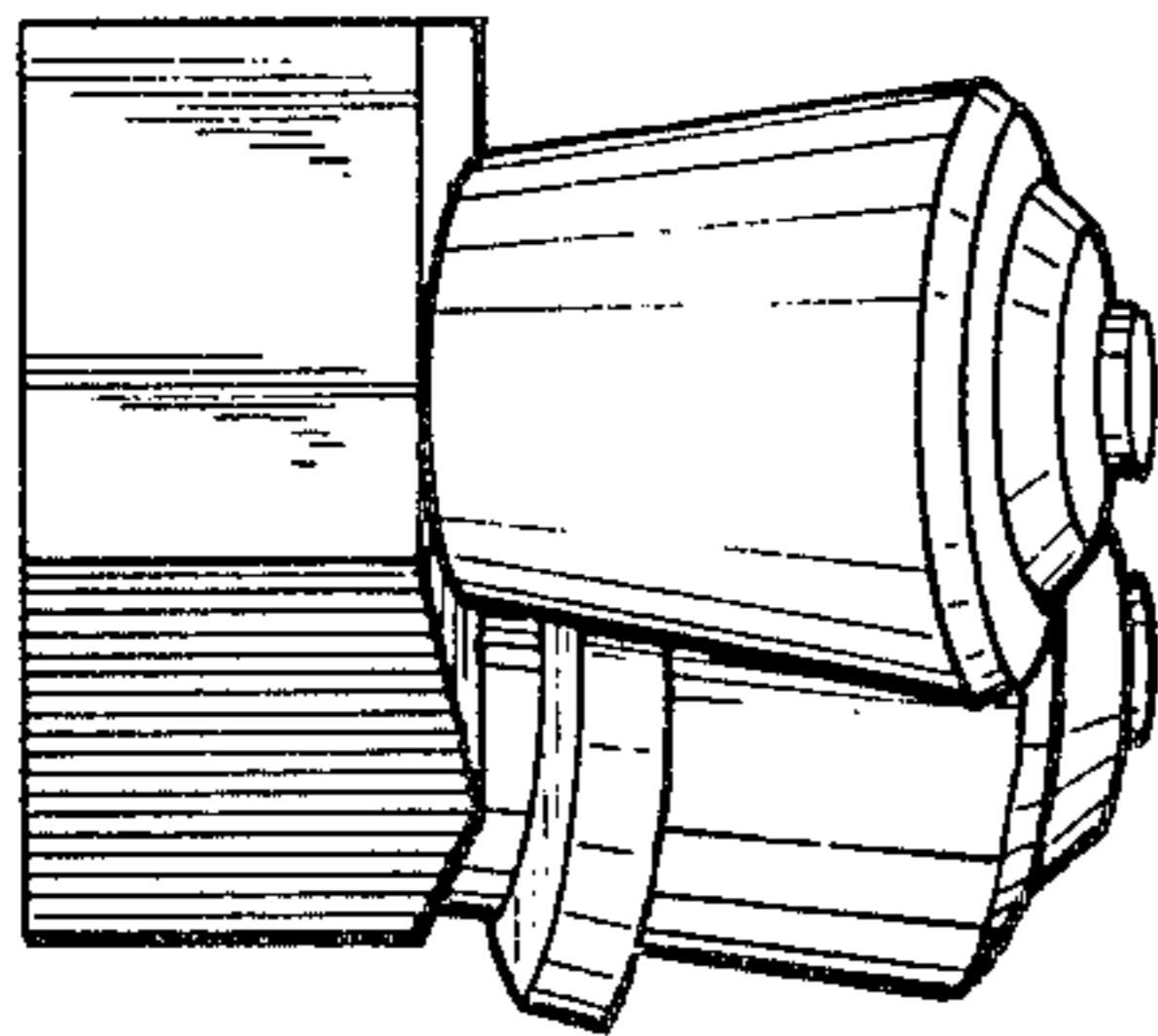


Fig. 2

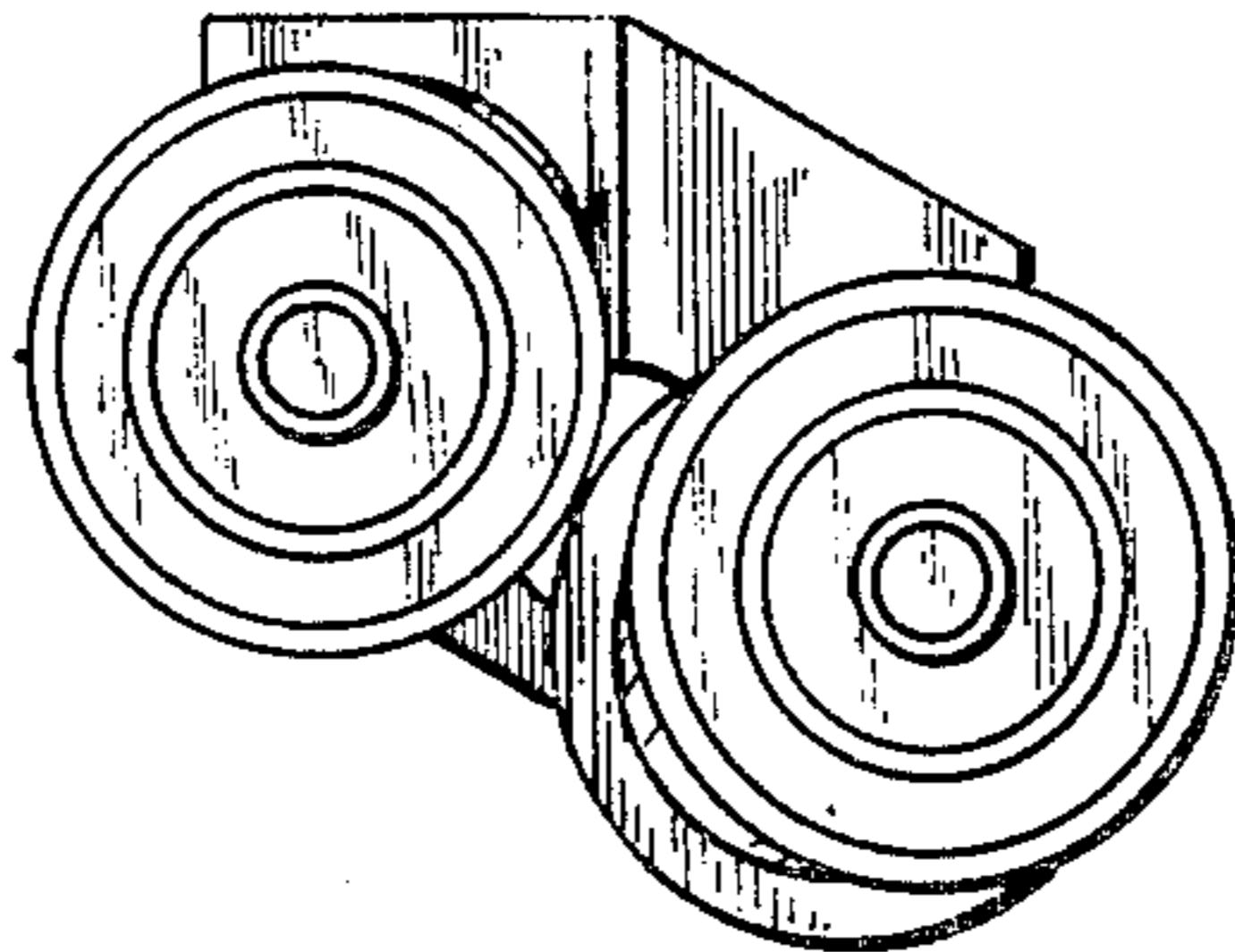


Fig. 3

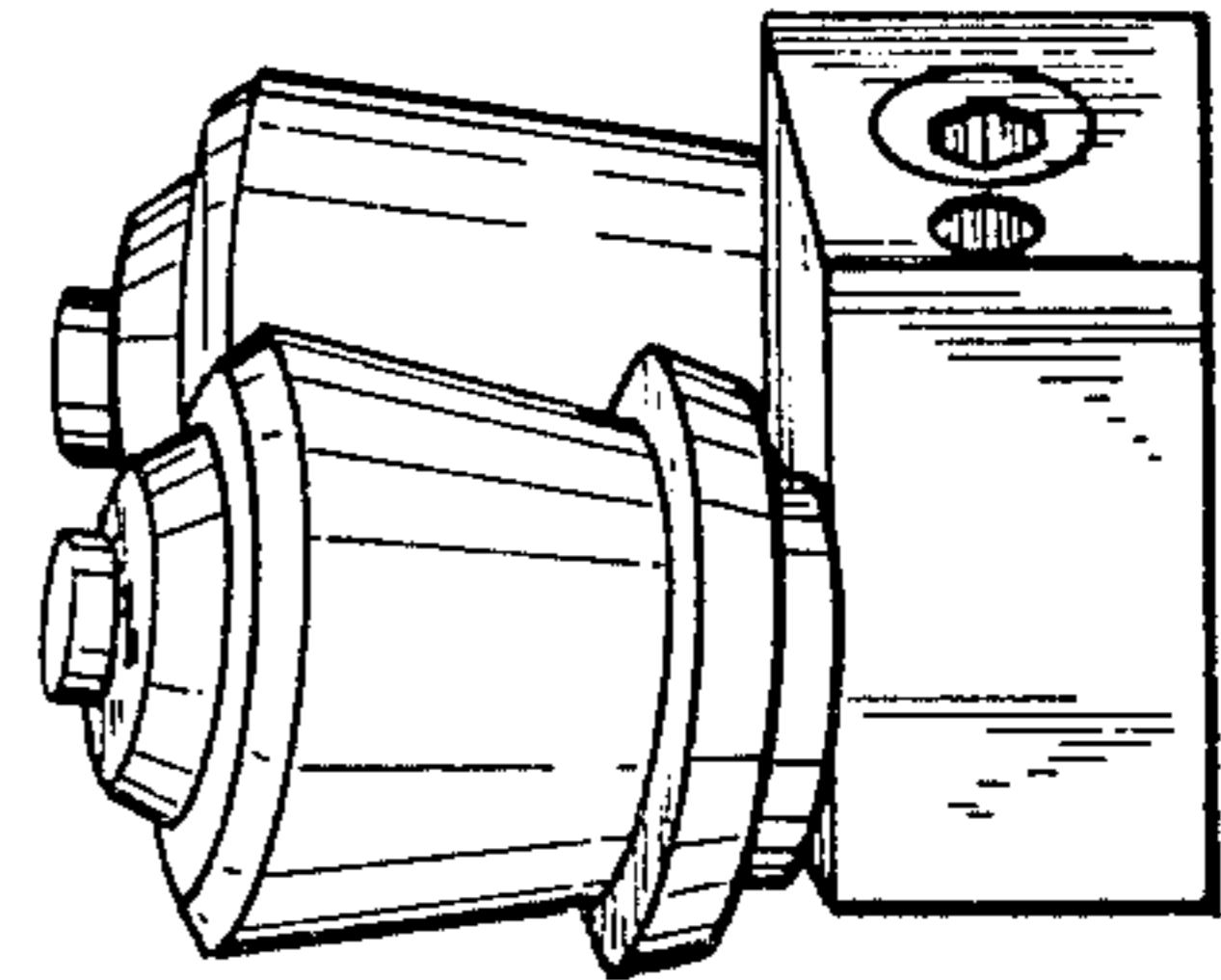


Fig. 4

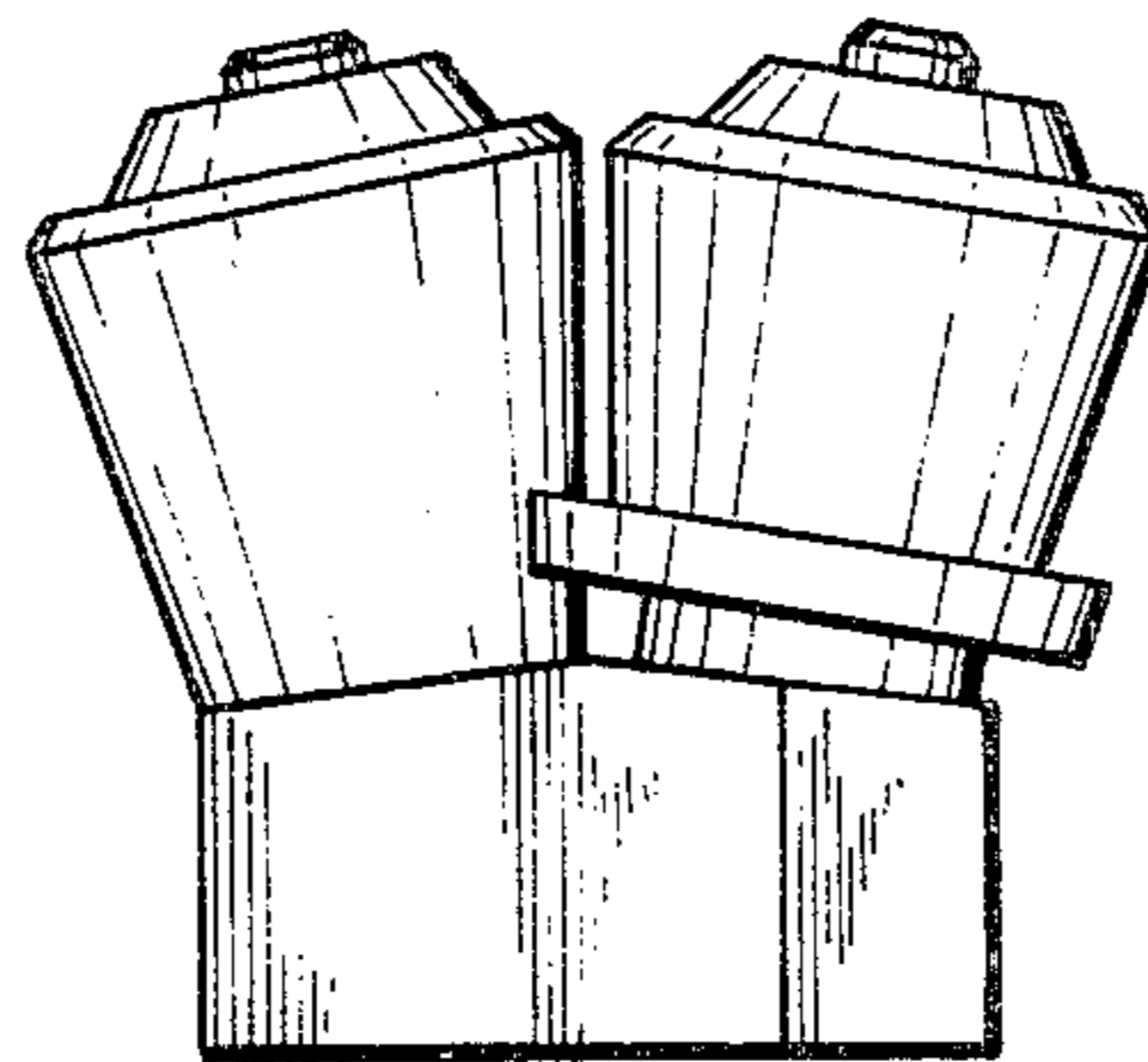


Fig. 5

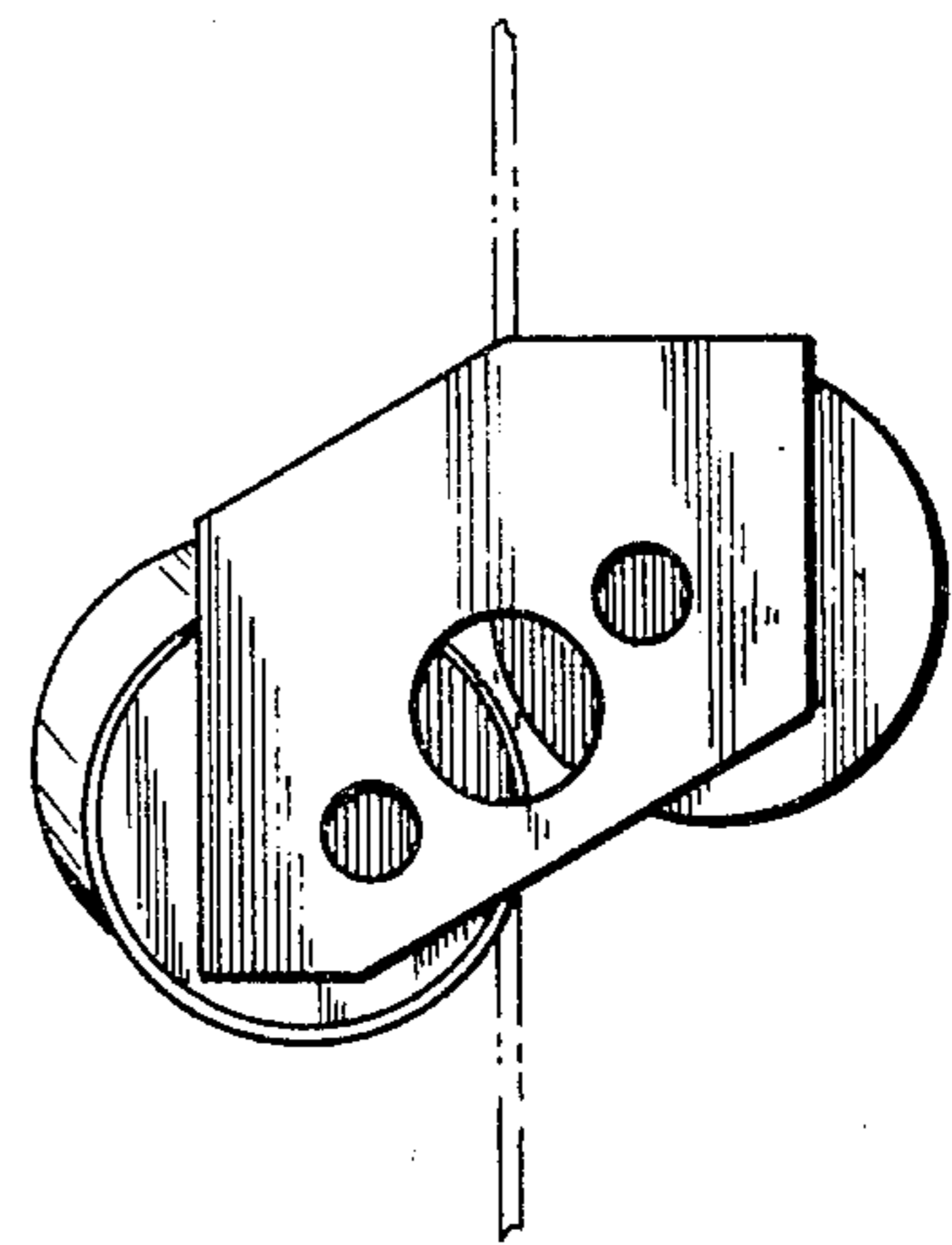


Fig. 6