

[54] CORDLESS HANDSET AND STAND TELEPHONE UNIT

[75] Inventor: Raymond G. Bond, Long Beach, Calif.

[73] Assignee: Fortel, Inc., Compton, Calif.

[**] Term: 14 Years

[21] Appl. No.: 635,919

[22] Filed: Jul. 30, 1984

[52] U.S. Cl. D14/53; D14/57; D14/60; D14/64

[58] Field of Search D14/52, 53, 58, 60, D14/63, 64; 179/179, 100 R, 100 D, 100 L, 100 C, 101, 102, 103

[56] References Cited

U.S. PATENT DOCUMENTS

D. 229,837	1/1974	Genaro et al.	D14/63
D. 256,465	8/1980	Tyler	D14/63
D. 270,157	8/1983	Boldt et al.	D14/63
D. 272,441	1/1984	Carr	D14/53
D. 272,533	2/1984	Coon et al.	D14/53
D. 274,244	6/1984	Kim	D14/53
D. 277,571	2/1985	Cooke et al.	D14/60
D. 278,337	4/1985	Banko	D14/56
D. 279,895	7/1985	Menei	D14/53

OTHER PUBLICATIONS

Popular Mechanics, vol. 159, No. 4, Apr. 1983, p. 199, Handset of "The Everything Phone", by New Horizons.

Spiegel cat. Fall 1983: at p. 609: Uniden Extend-A--Phone EX-6000.

Best 1983-84 cat., at p. 335, Panasonic Model "Easaphone" #142387RPA.

B. A. Pargh Co. Inc. cat. ©1983: at p. 23, Web for Zip 700' Cordless Model No. 576zT; at p. 23, Sanyo Model TH1015.

Primary Examiner—James M. Gandy

Assistant Examiner—Horace B. Fay

Attorney, Agent, or Firm—Keith D. Beecher

[57] CLAIM

The ornamental design for cordless handset and stand telephone unit, as shown and described.

DESCRIPTION

FIG. 1 is a left side, top and front perspective view of a cordless handset and stand telephone unit showing my new design cradled in its stand;

FIG. 2 is a rear and top perspective view thereof;

FIG. 3 is a front, top and right side perspective view thereof;

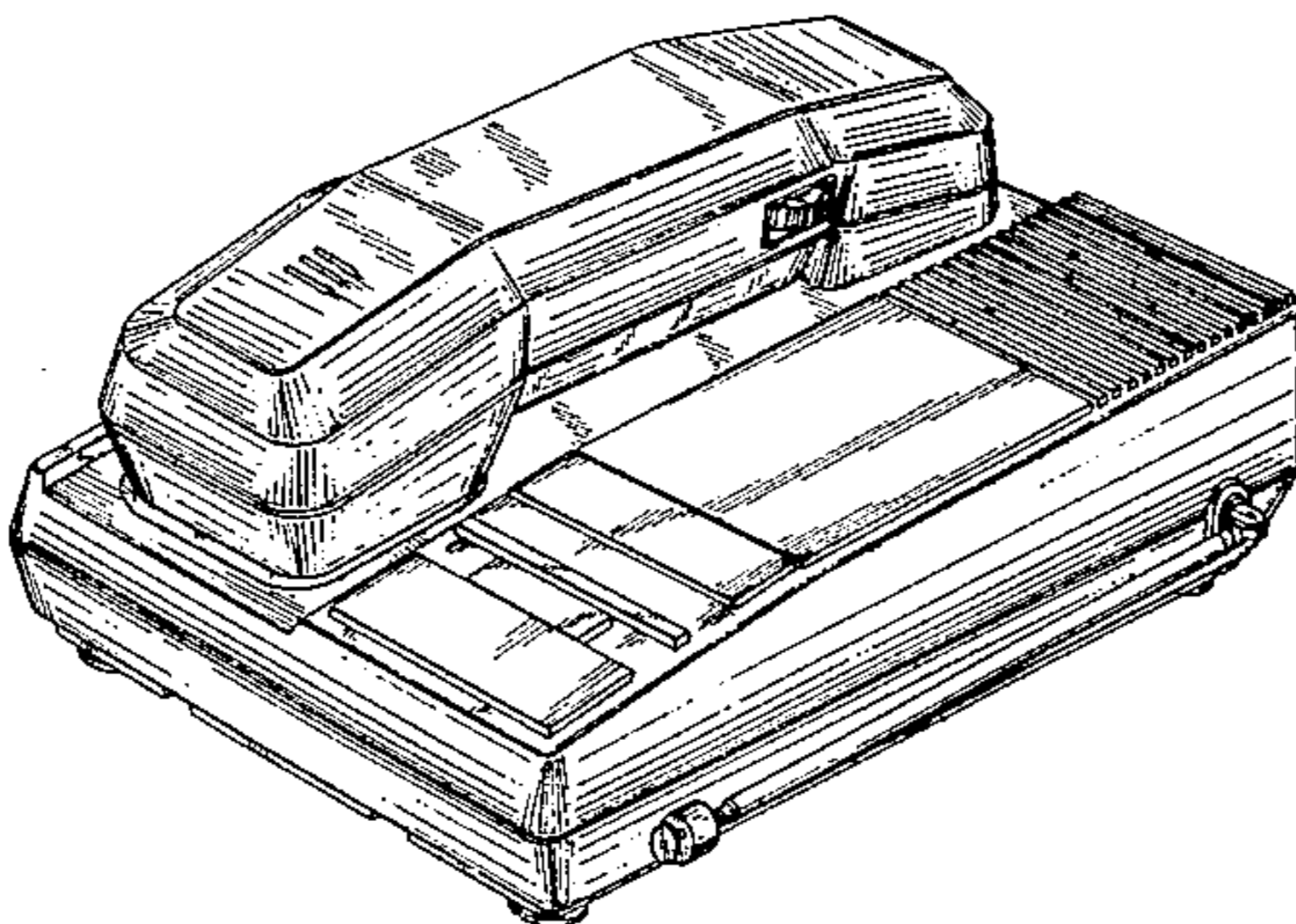
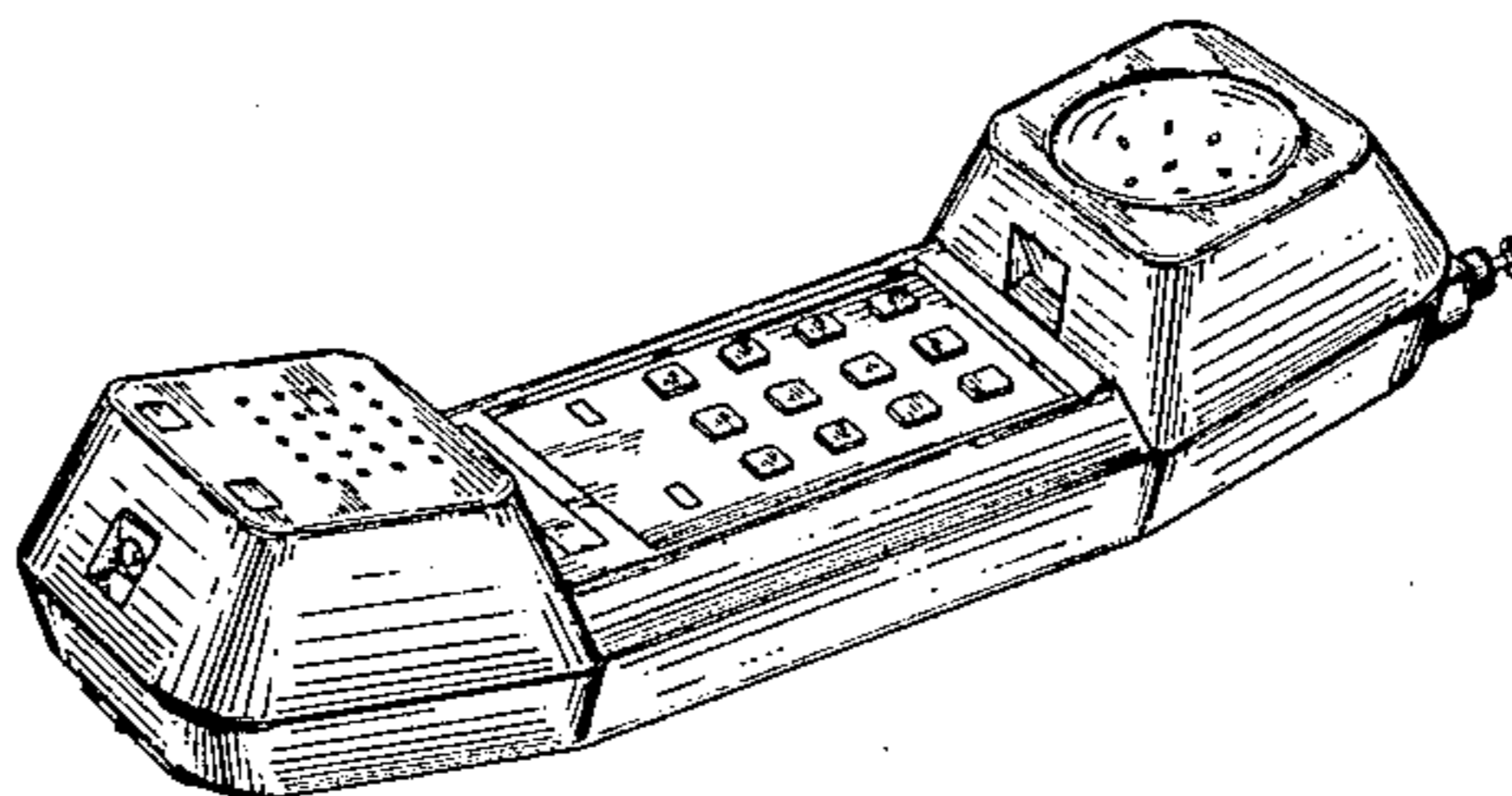
FIG. 4 is a bottom plan view thereof;

FIG. 5 is a left side, top and front perspective view of the stand of the telephone unit in FIG. 1;

FIG. 6 is a front, bottom and left side perspective view of the handset of the telephone unit shown in FIG. 1; and

FIG. 7 is a right side, bottom and front perspective view of the handset shown in FIG. 1.

For clarity of representation, and convenience of illustration, the handset and stand of the telephone unit are shown separately in FIGS. 5, 6 and 7.



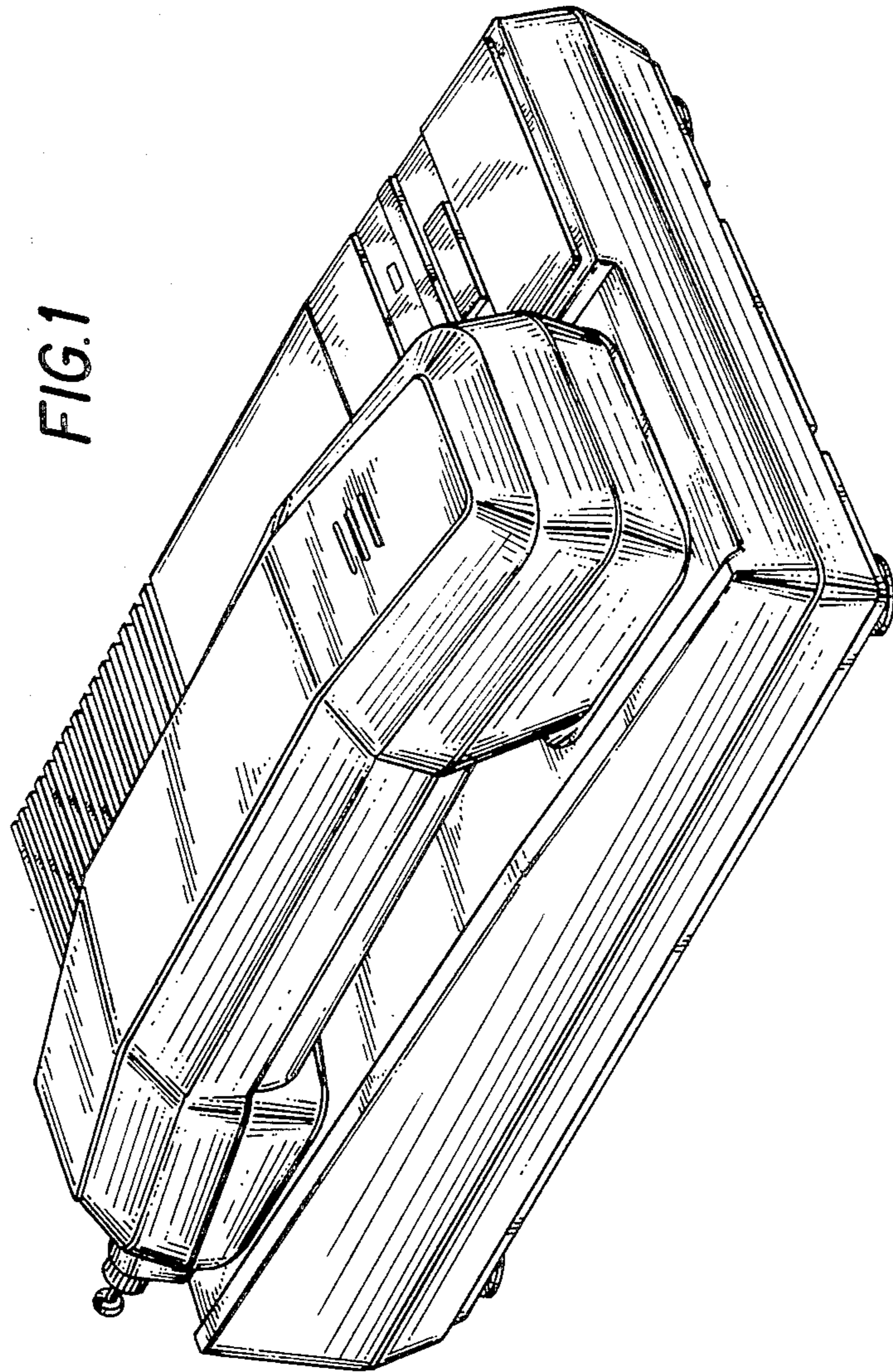
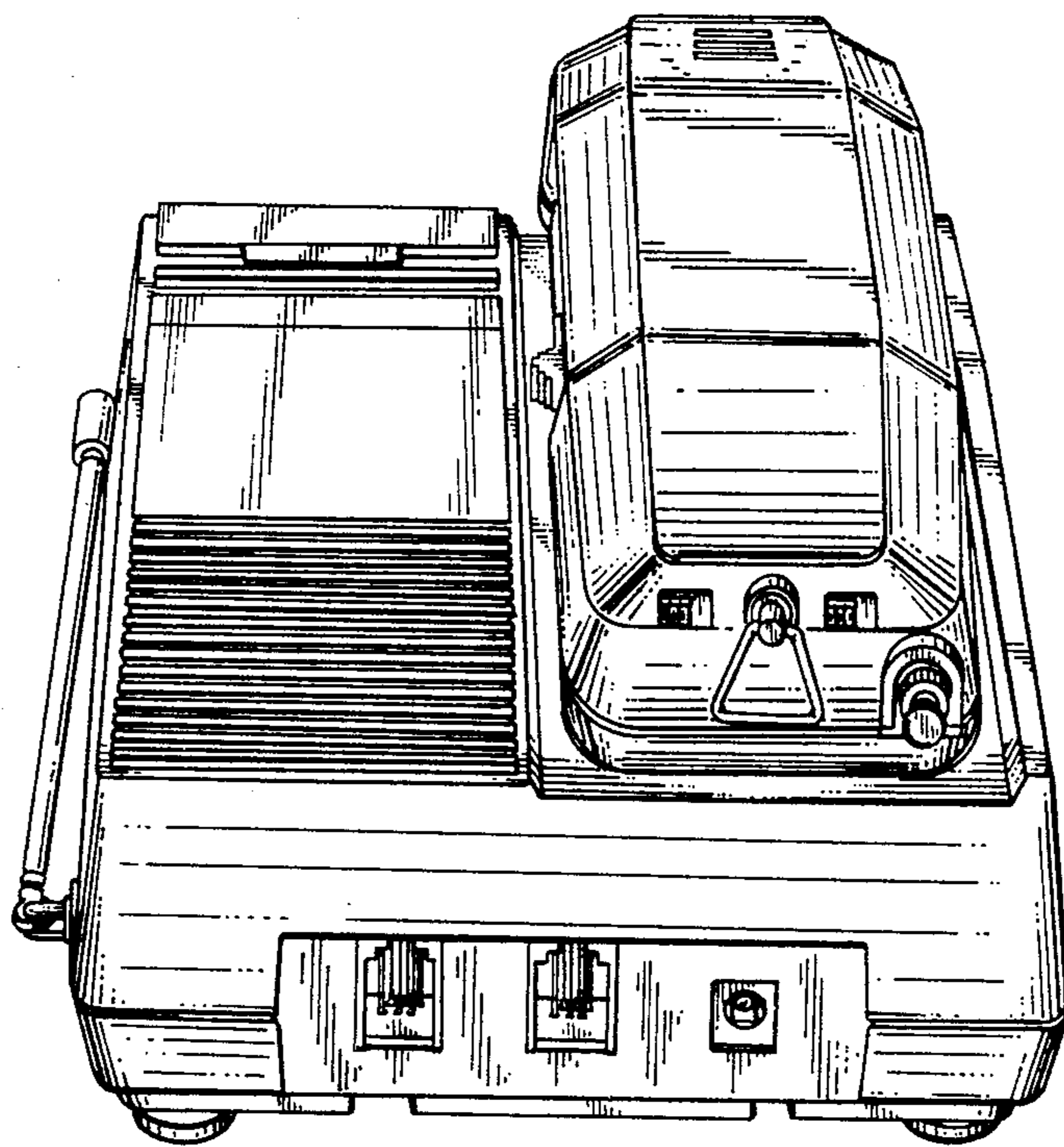


FIG. 1

FIG. 2



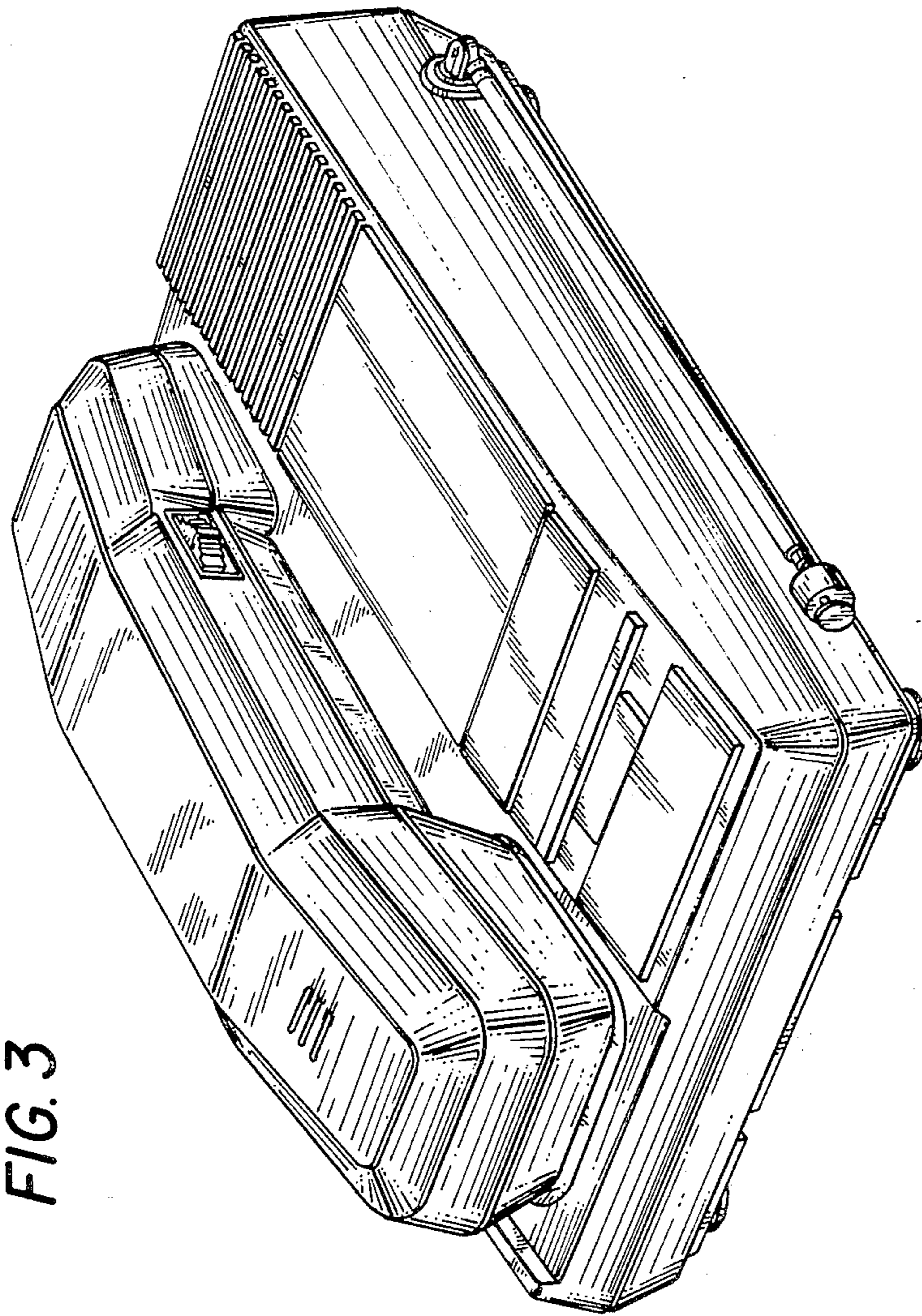


FIG. 3

FIG. 4

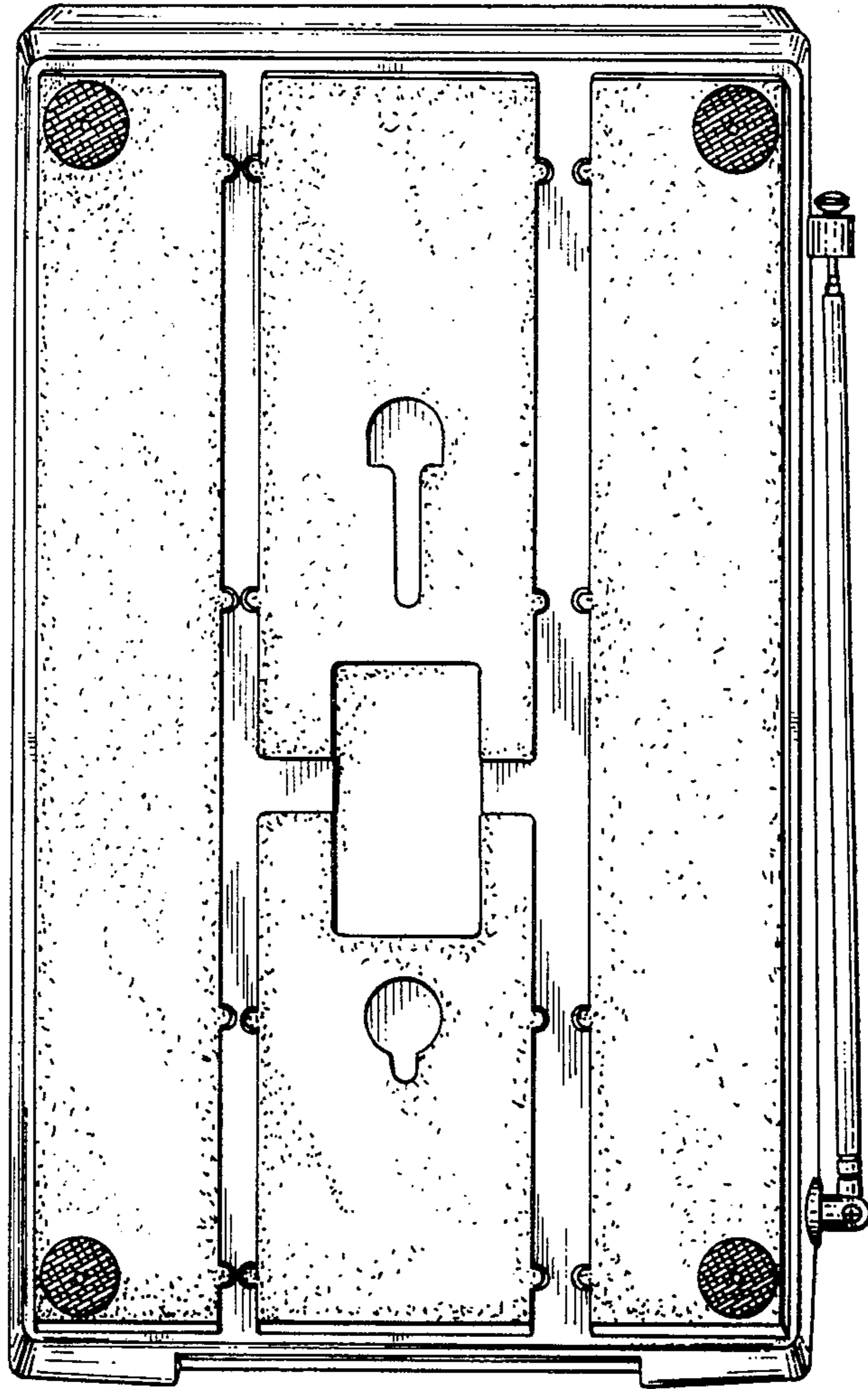
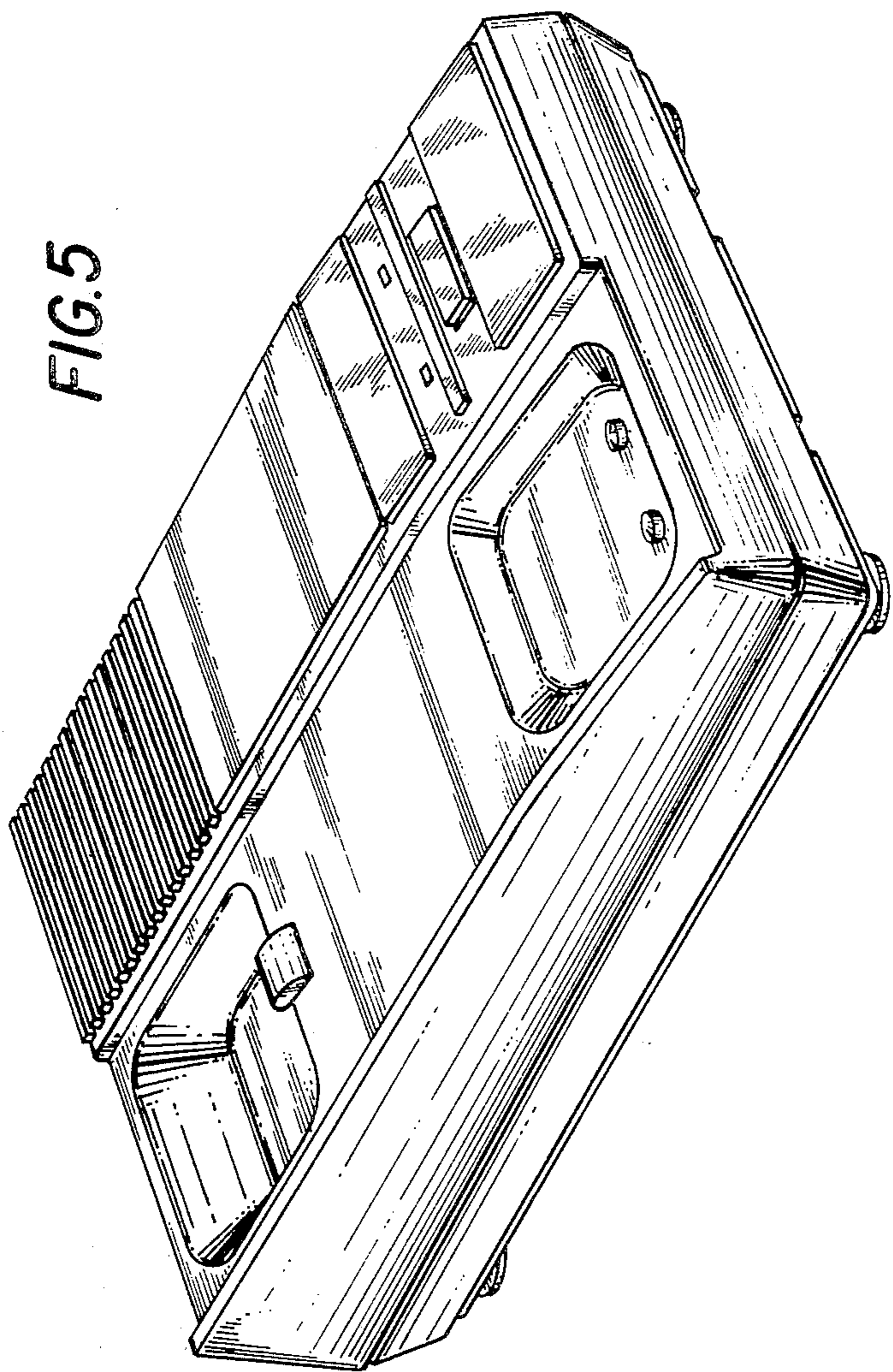


FIG. 5



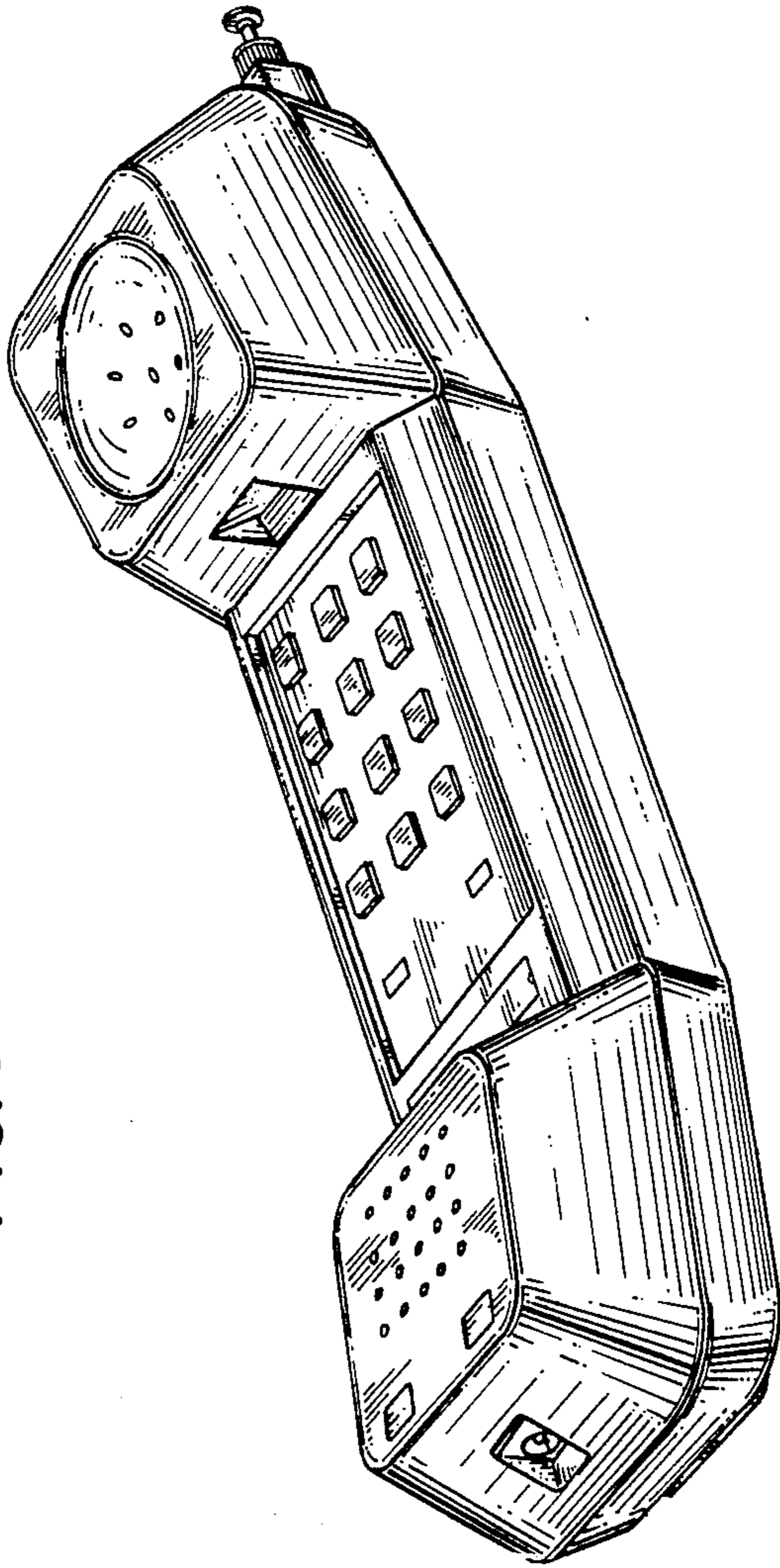


FIG. 6

FIG. 7

