

[54] PORTABLE ELECTRONIC COMPUTER

4,497,036 1/1985 Dunn ..... 364/708

- [75] Inventor: Takashi Kusanagi, Ota, Japan
- [73] Assignee: Ampere Incorporated, Tokyo, Japan
- [\*\*] Term: 14 Years
- [21] Appl. No.: 648,068
- [22] Filed: Sep. 7, 1984

[30] Foreign Application Priority Data

- May 2, 1984 [JP] Japan ..... 59-17841
- [52] U.S. Cl. .... D14/106
- [58] Field of Search ..... D14/100, 101, 106, 113, D14/114, 107; D18/1, 7, 12; 340/365 R, 700, 711; 364/708

[56] References Cited

U.S. PATENT DOCUMENTS

- D. 222,883 1/1972 Levow et al. .... D14/101
- D. 254,005 1/1980 Reid et al. .... D14/106
- D. 280,511 9/1985 Moggridge et al. .... D14/106

OTHER PUBLICATIONS

Datamation, 3-1983, p. 220, Portable Computer.

Primary Examiner—Susan J. Lucas  
Attorney, Agent, or Firm—Bacon & Thomas

[57] CLAIM

The ornamental design for a portable electronic computer, substantially as shown.

DESCRIPTION

FIG. 1 is a front perspective view of a portable electronic computer with the display panel open, showing my new design;

FIG. 2 is a front elevational view thereof;

FIG. 3 is a top plan view thereof;

FIG. 4 is a left side elevational view thereof;

FIG. 5 is a right side elevational view thereof;

FIG. 6 is a rear elevational view thereof; and

FIG. 7 is a front perspective view like FIG. 1 with the display panel closed.

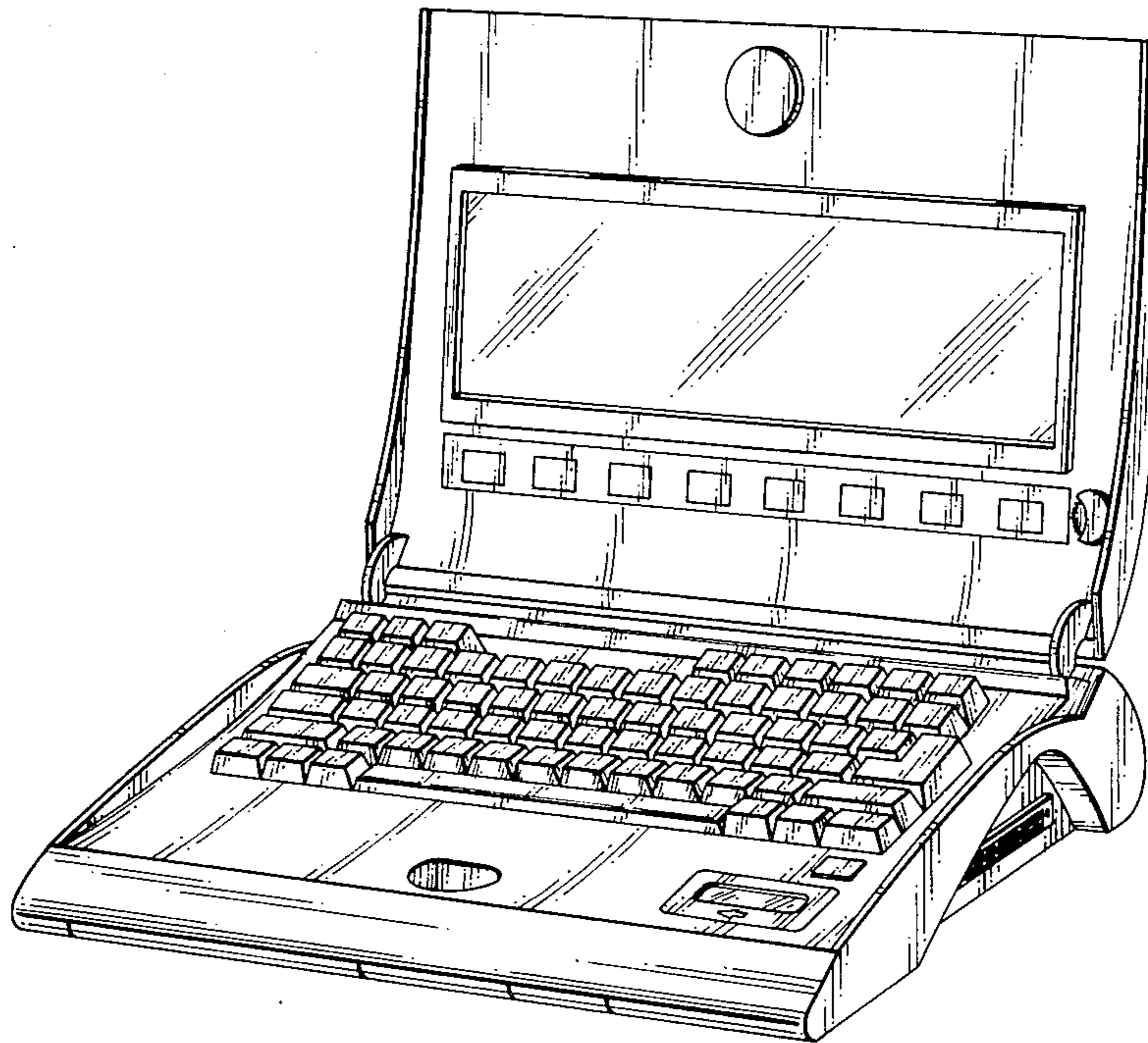


FIG. 1

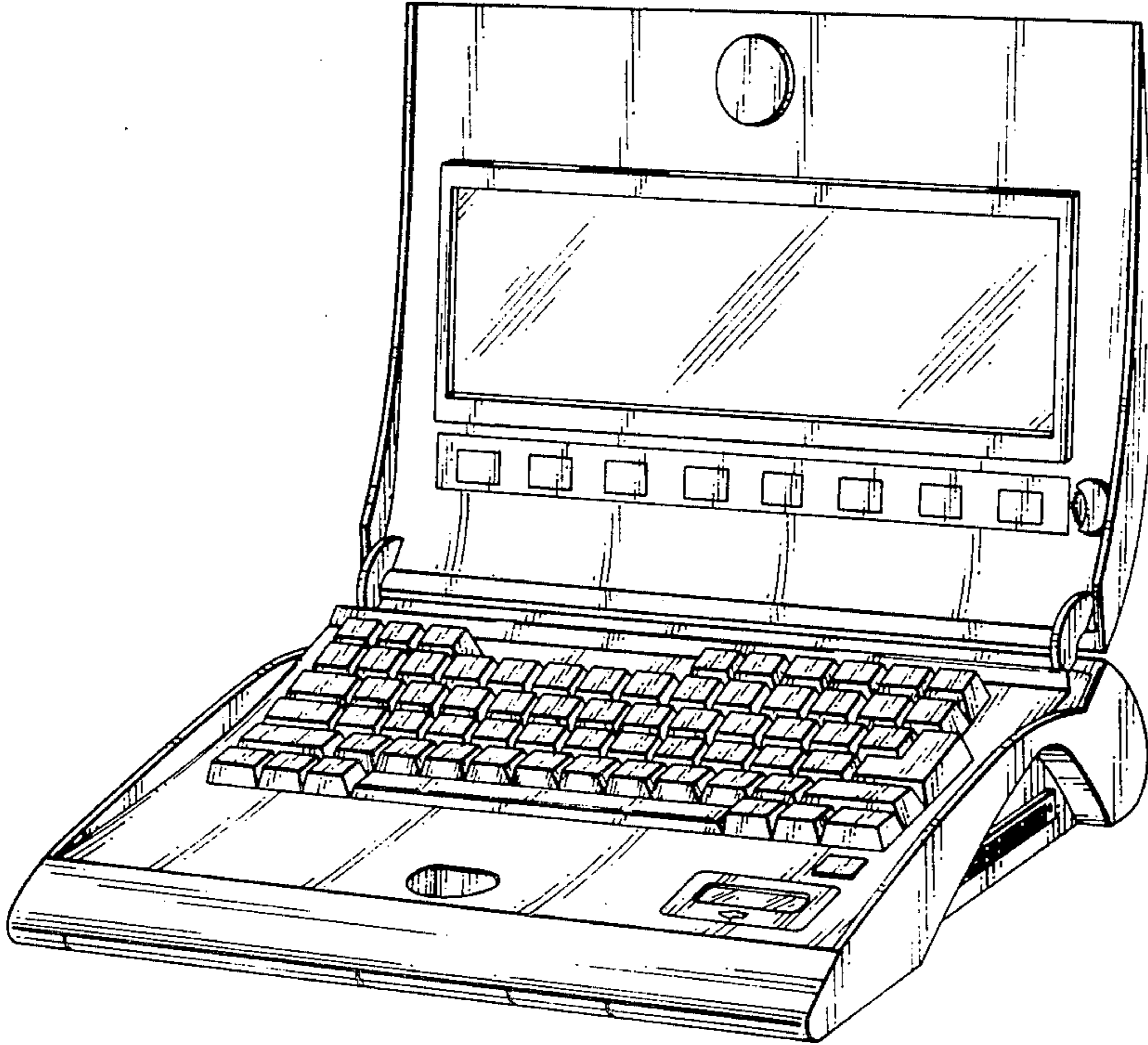


FIG. 2

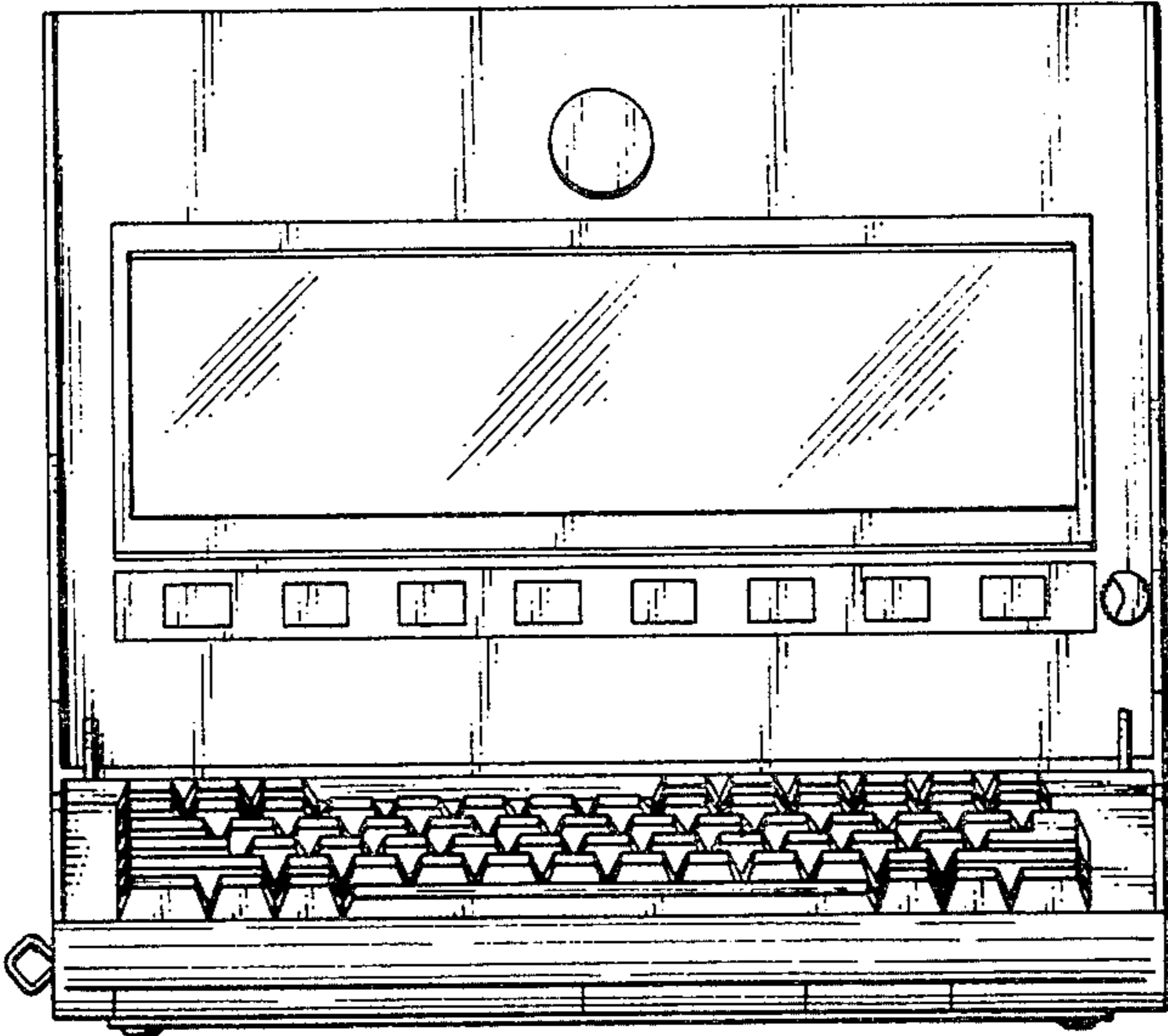


FIG. 3

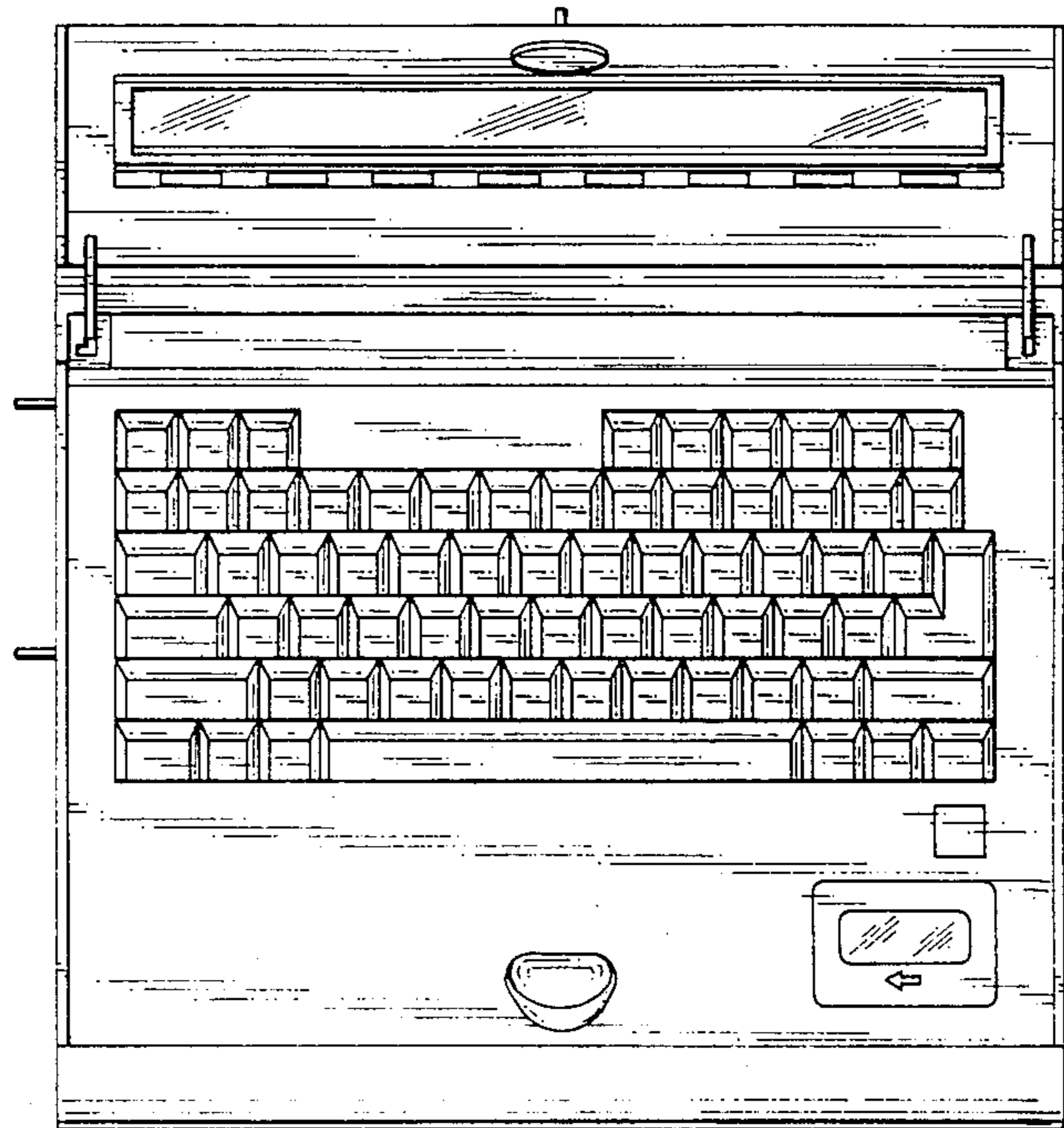


FIG. 4

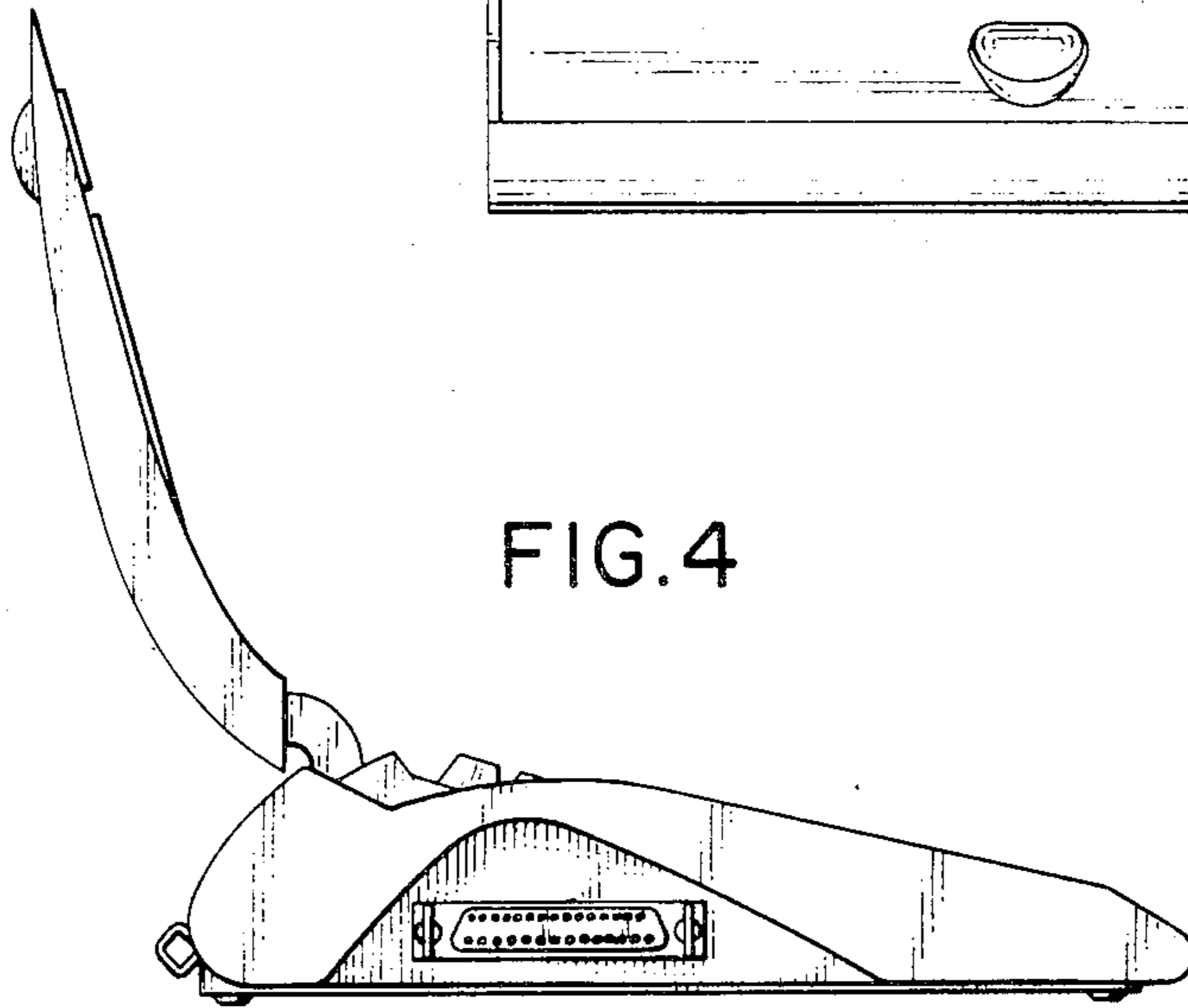


FIG. 5

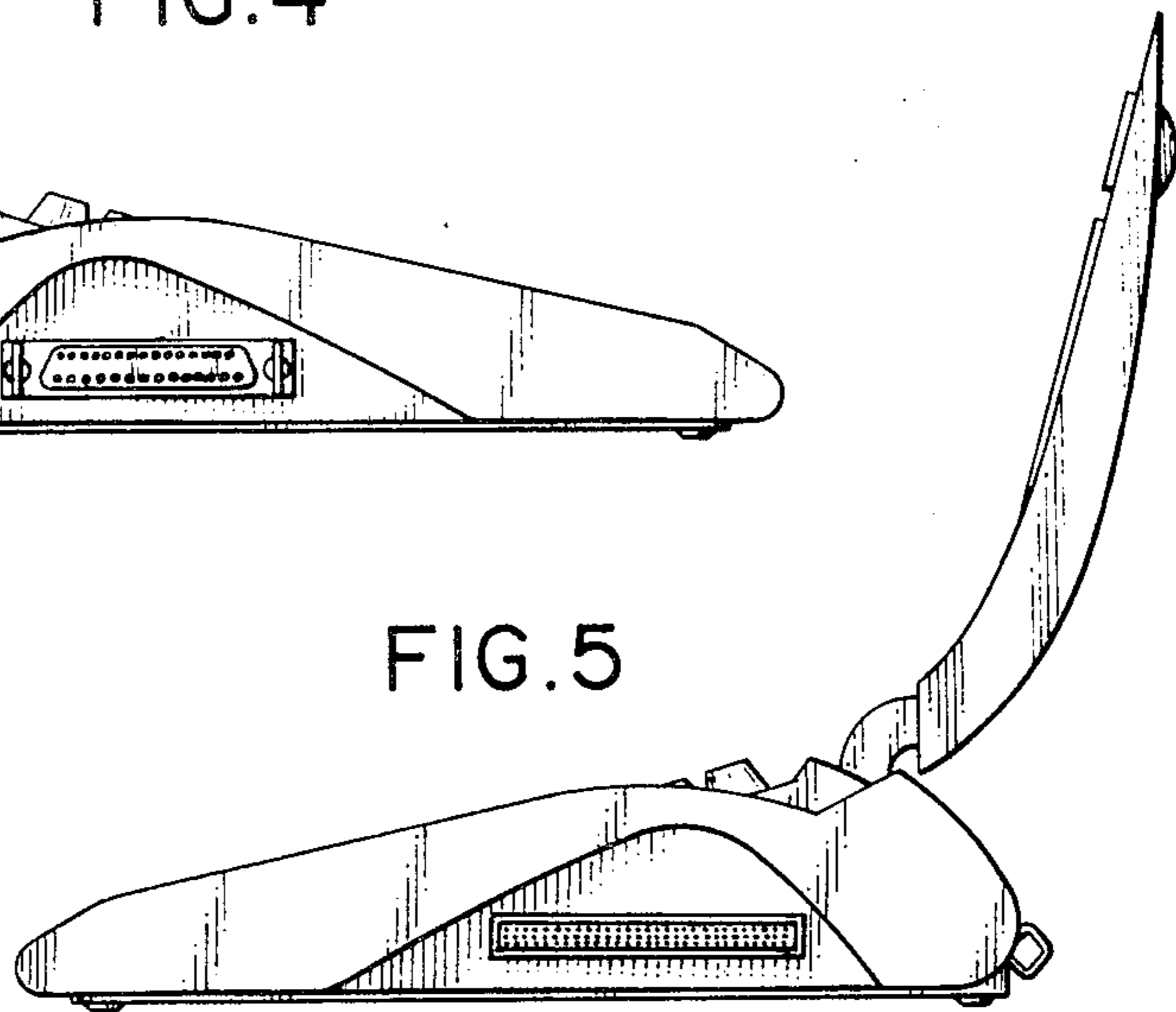


FIG. 6

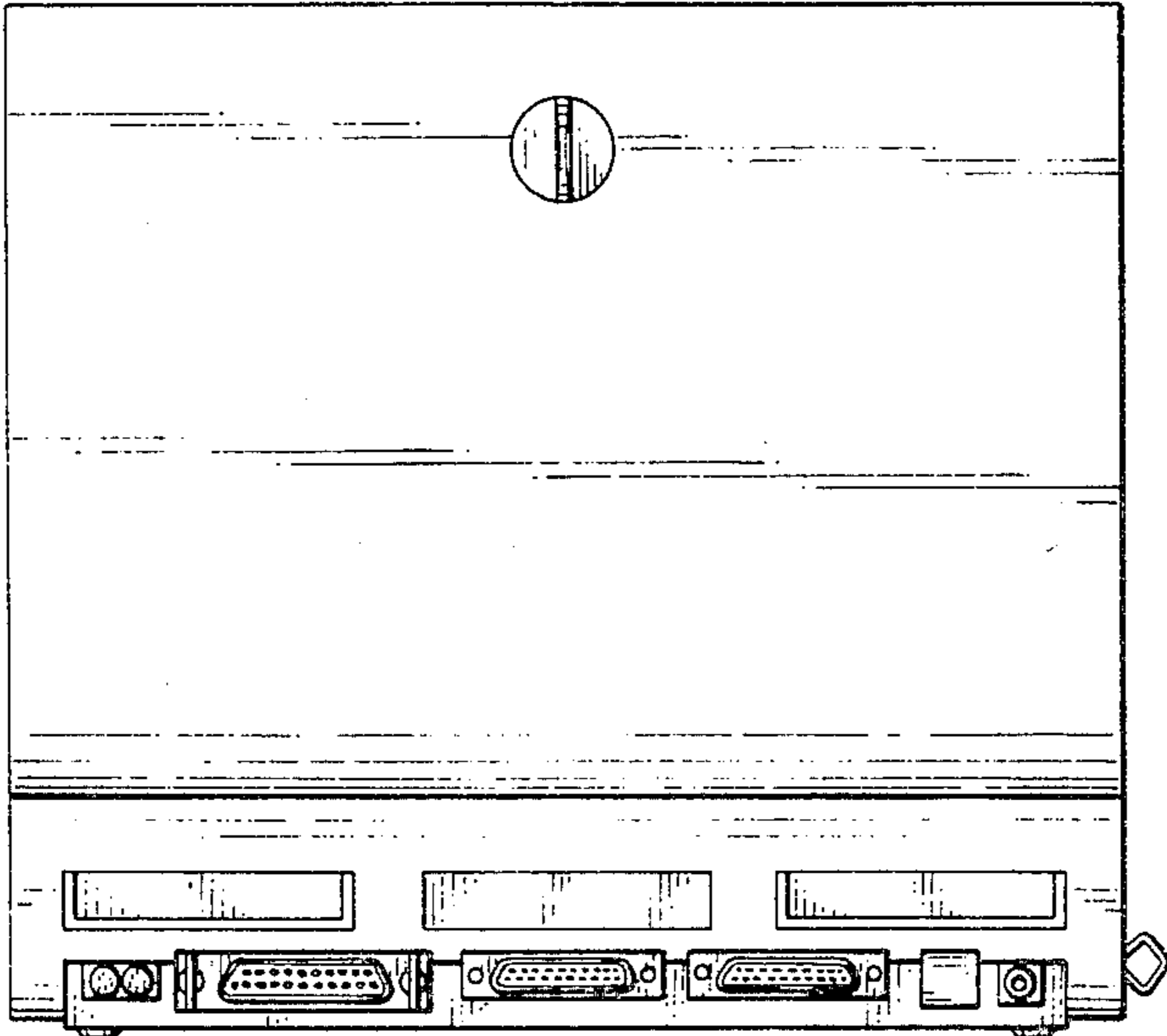


FIG. 7

