

[54] COMPUTER WORKSTATION

[75] Inventors: Edward C. Ng, San Jose, Calif.;  
William M. Casnovsky, Austin, Tex.

[73] Assignee: Motorola Computer Systems, Inc.,  
Cupertino, Calif.

[\*\*] Term: 14 Years

[21] Appl. No.: 636,534

[22] Filed: Aug. 1, 1984

[52] U.S. Cl. .... D14/106

[58] Field of Search ..... D14/100, 101, 106, 107,  
D14/113, 114; 340/365 R, 700, 711; 358/354,  
248, 249; 248/181, 183, 178, 179, 371, 133, 349

[56] References Cited

U.S. PATENT DOCUMENTS

- D. 276,232 11/1984 Dix et al. .... D14/106
- D. 277,962 3/1985 Thom ..... D14/106
- D. 279,007 5/1985 Empson et al. .... D14/113

OTHER PUBLICATIONS

Computer Design, 9-1982, p. 246, Hewlett-Packard  
Computer.

Digital VT200 Family brochure, ©1983, p. 5, VT240,  
Video Terminal.

Primary Examiner—Susan J. Lucas  
Attorney, Agent, or Firm—Walter W. Nielsen

[57] CLAIM

The ornamental design for a computer workstation, as  
shown and described.

DESCRIPTION

FIG. 1 is a front perspective view of the computer  
workstation showing our new design, showing the key-  
board thereof in a fully parked position and the video  
display unit turned slightly towards the left;

FIG. 2 is a front perspective view thereof, showing the  
keyboard in a half-parked position and the video display  
unit turned slightly towards the right;

FIG. 3 is a left-front perspective view thereof on a  
reduced scale, showing the keyboard in a half-parked  
position and the video display unit facing the front of  
the keyboard;

FIG. 4 is a front perspective view thereof on a reduced  
scale, showing the keyboard fully positioned on the  
work surface;

FIG. 5 is a left side view thereof, showing the keyboard  
in a fully parked position;

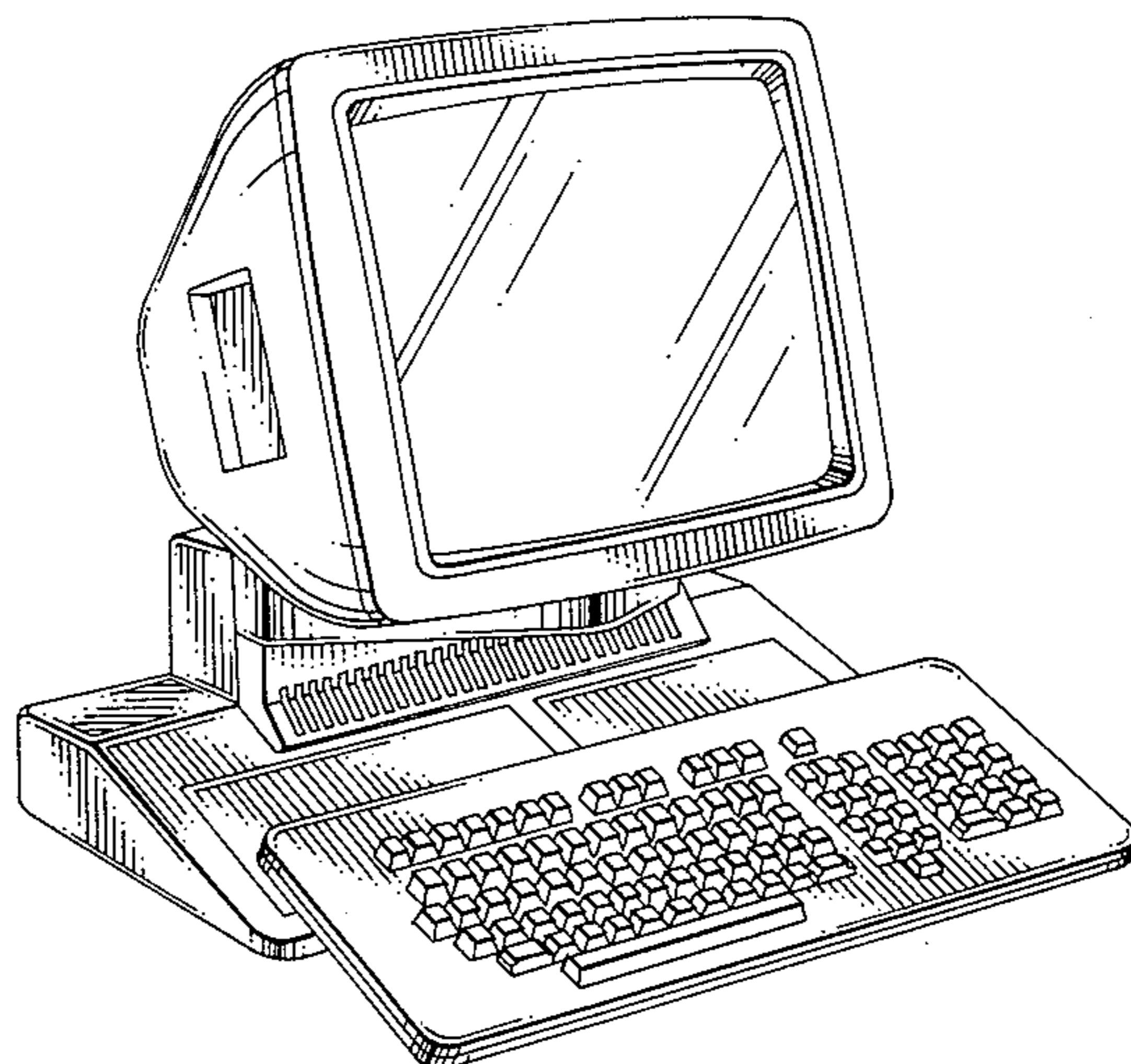
FIG. 6 is a rear view, showing the keyboard in a fully  
parked position;

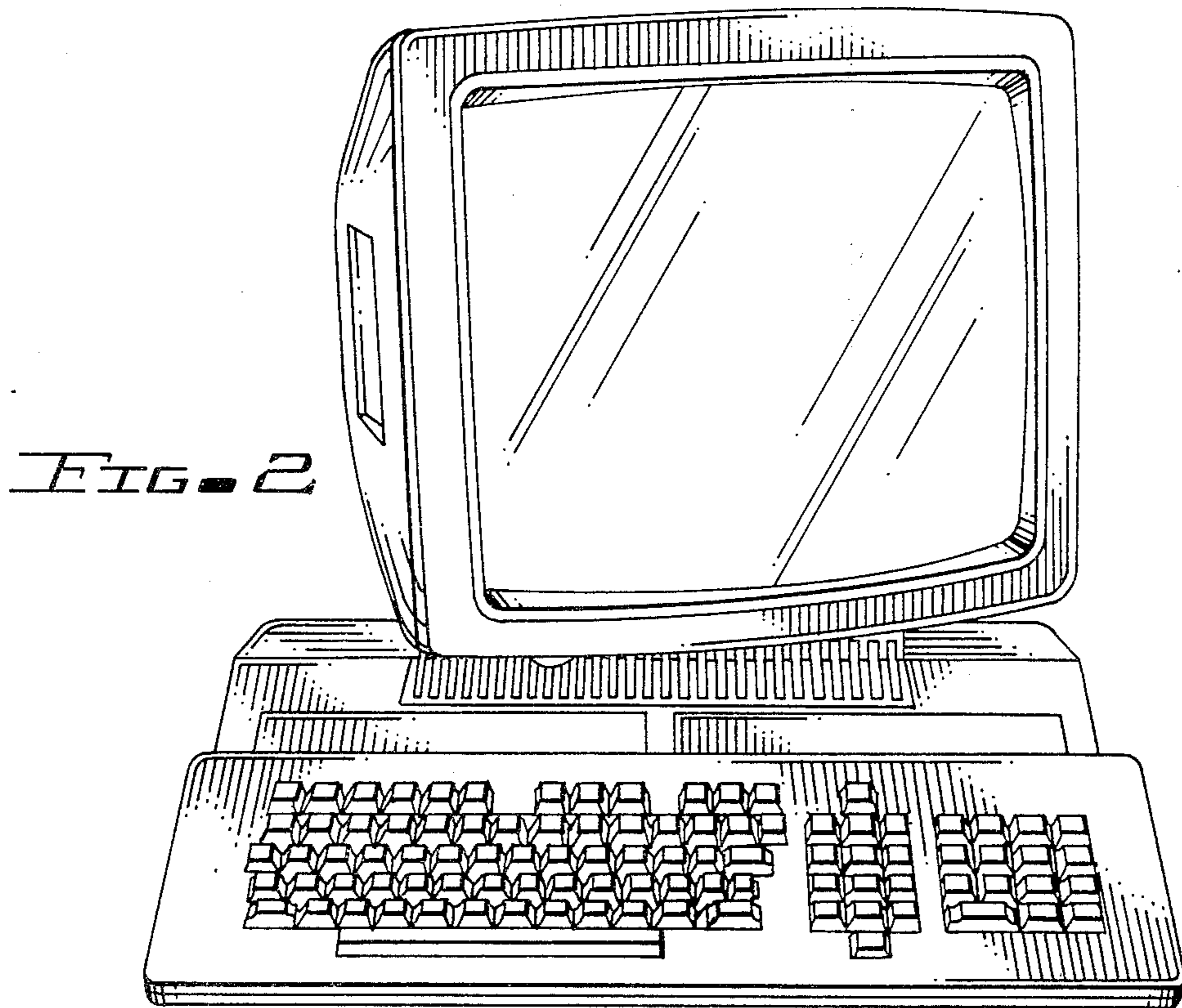
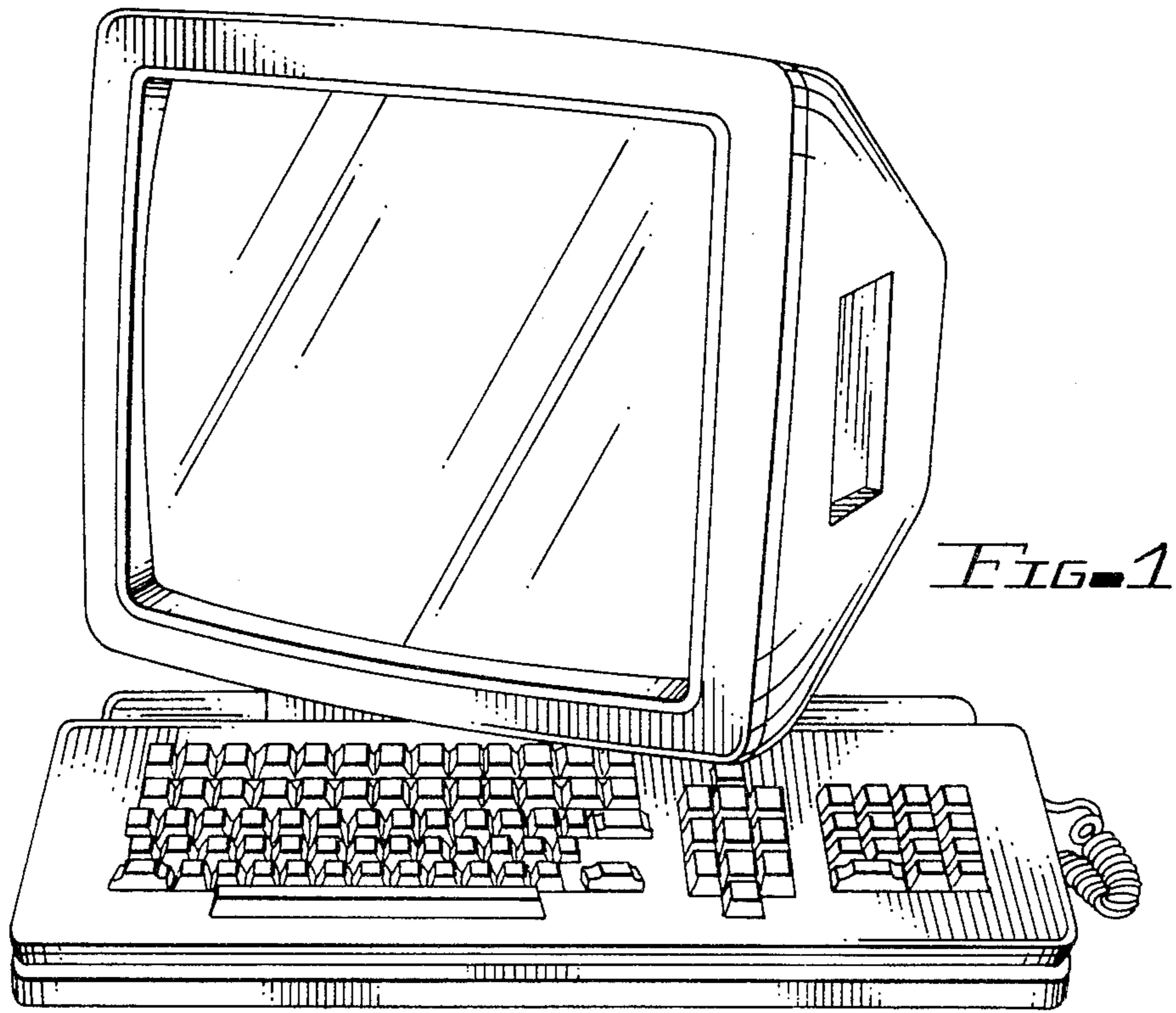
FIG. 7 is a greatly enlarged fragmentary view thereof,  
showing the keyboard in a fully parked position, the  
keyboard being broken away for purposes of disclosure;

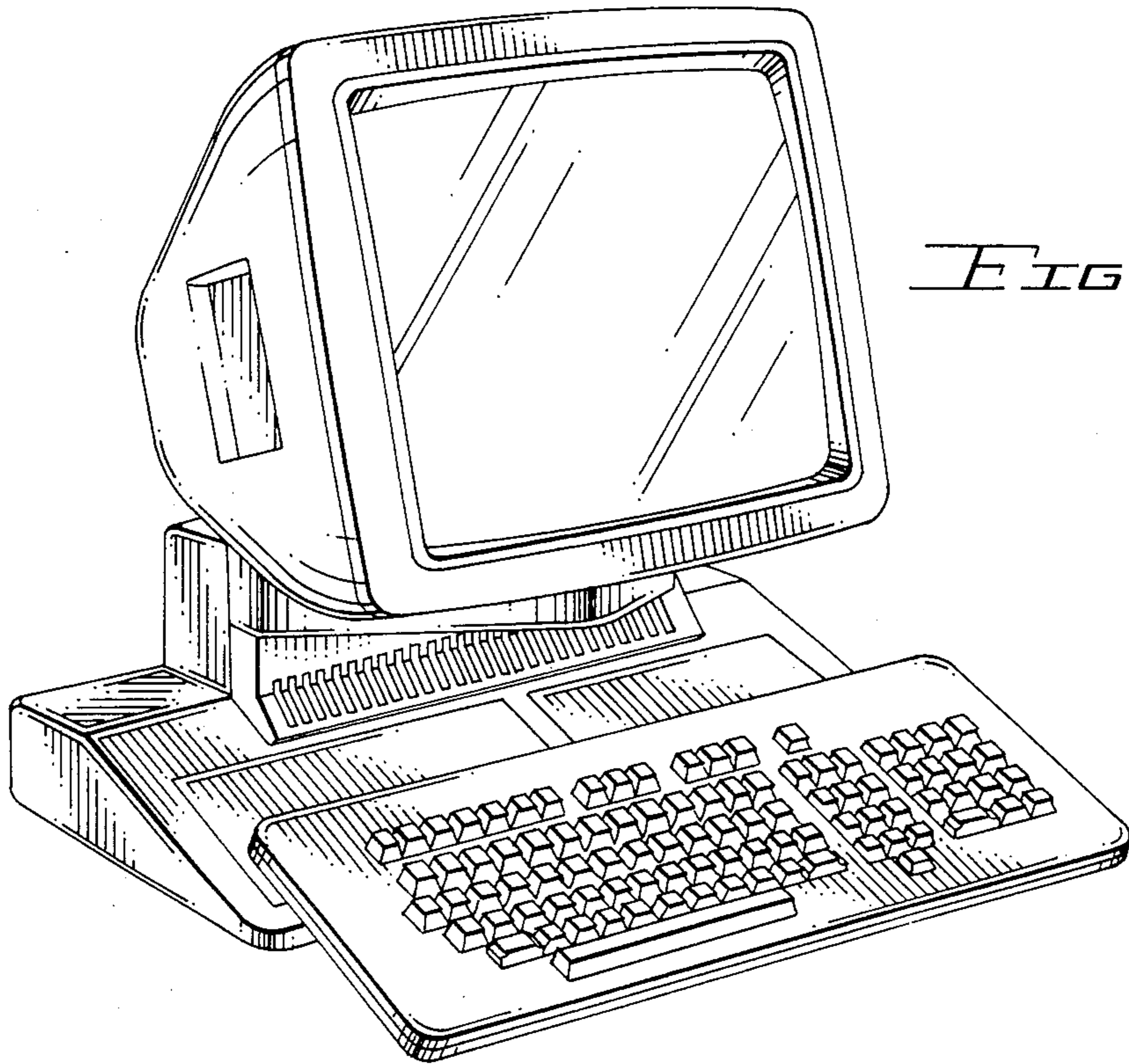
FIG. 8 is a greatly enlarged fragmentary view thereof,  
showing the keyboard in a fully parked, elevated posi-  
tion;

FIG. 9 is a greatly enlarged fragmentary view thereof,  
showing the keyboard in a half-parked position, the  
keyboard being broken away for purposes of disclosure;

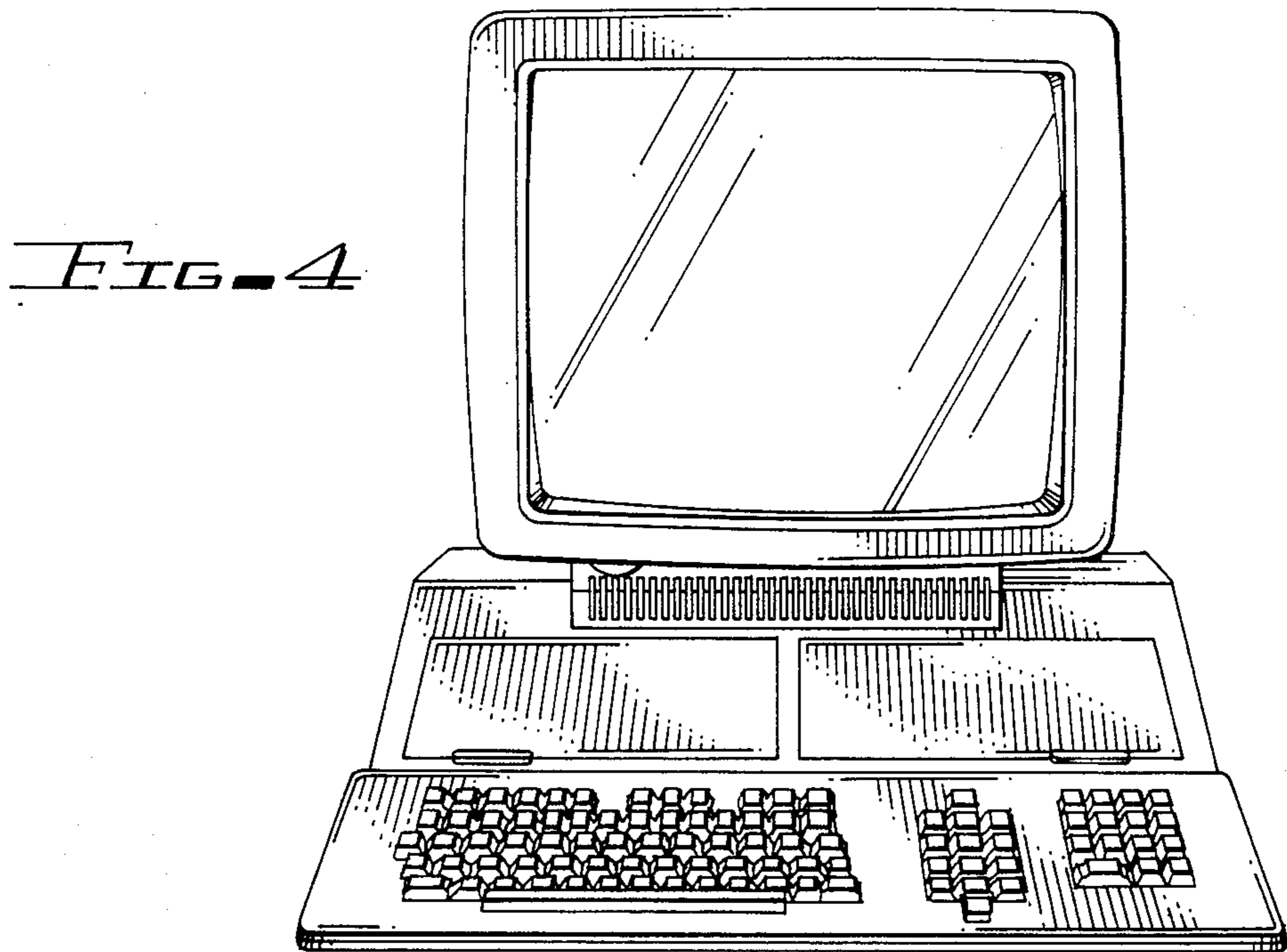
FIG. 10 is a greatly enlarged fragmentary view thereof,  
showing the keyboard in a half-parked, elevated posi-  
tion.







*FIG. 3*



*FIG. 4*

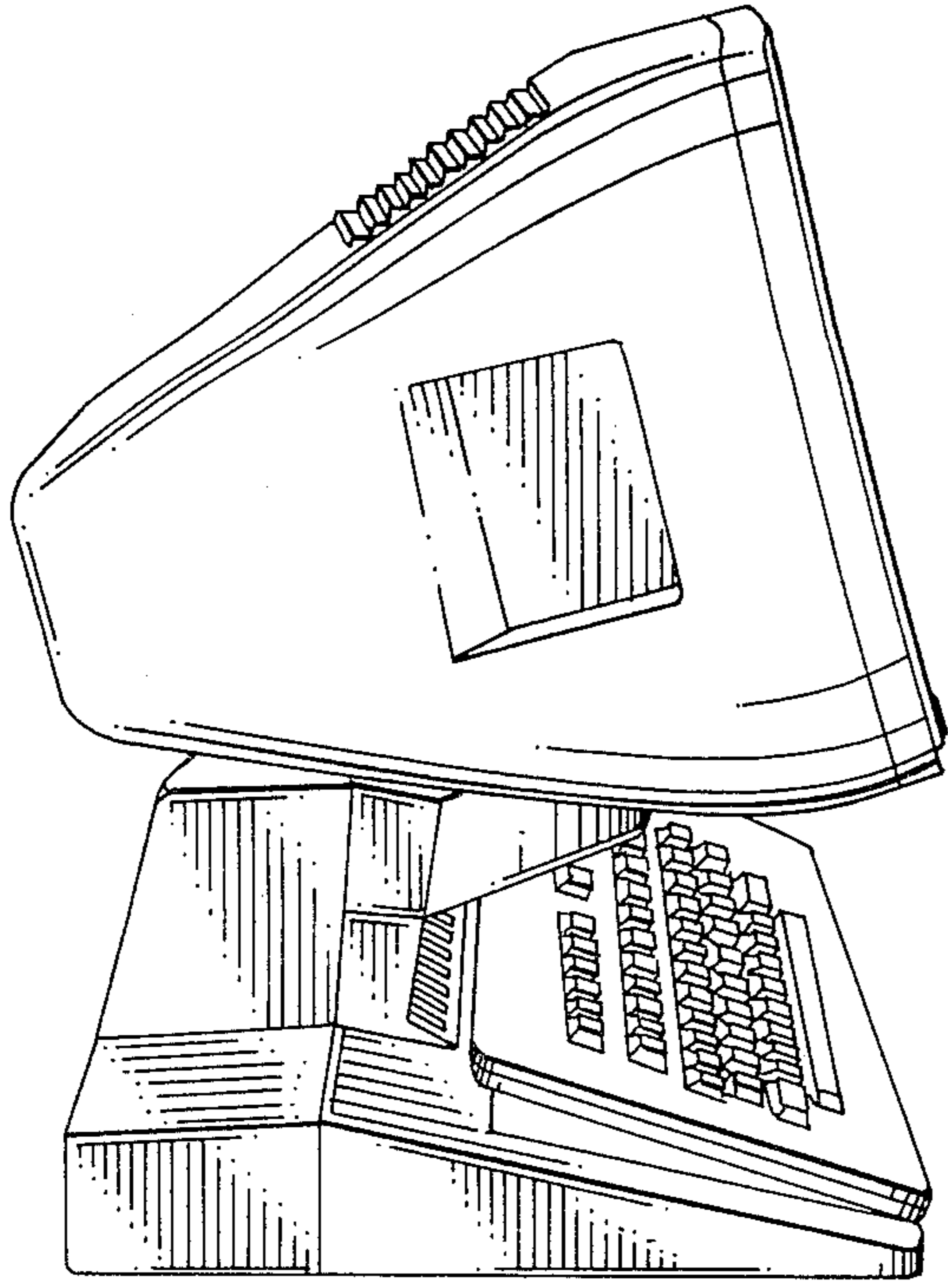


FIG. 5

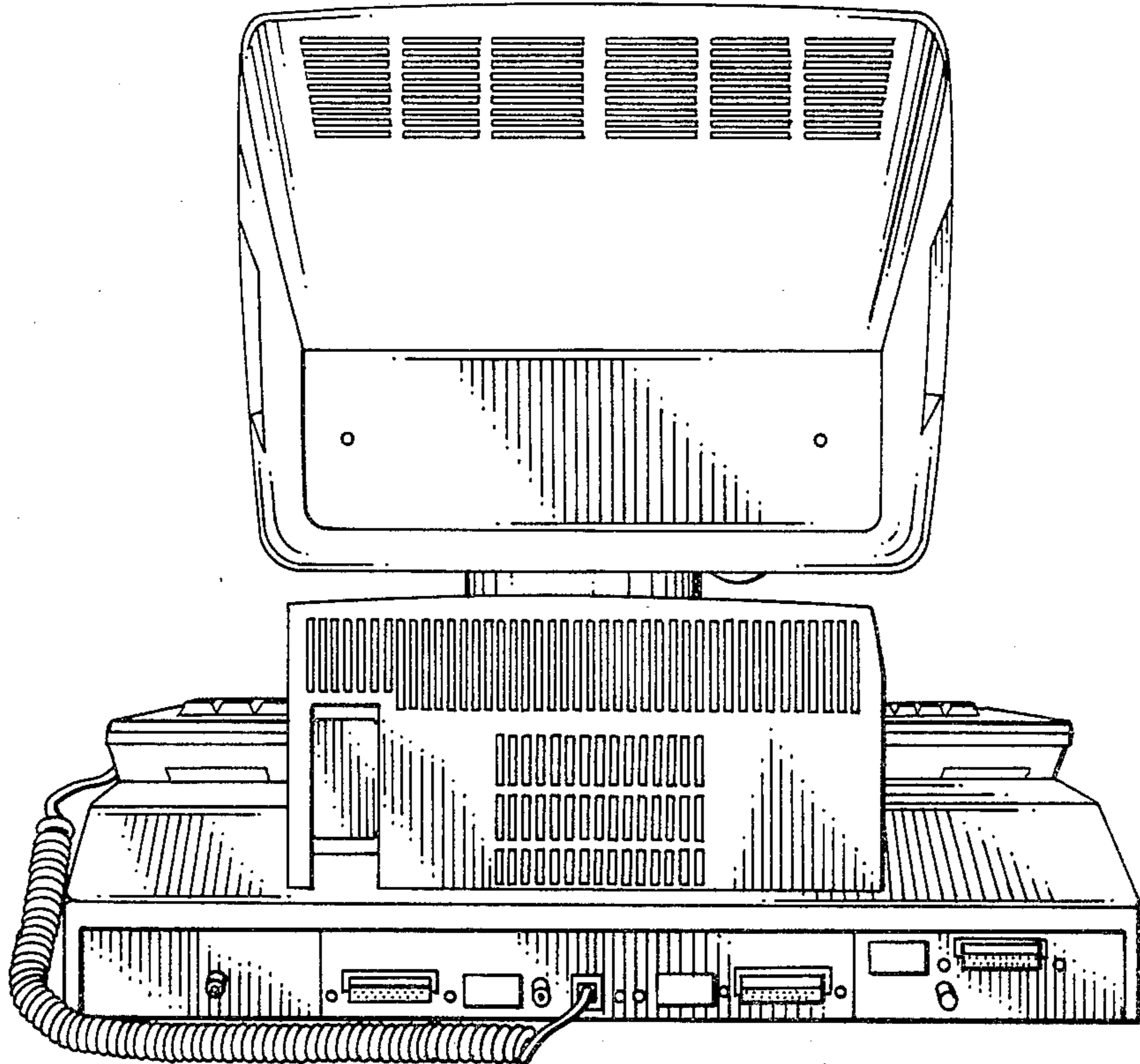


FIG. 6

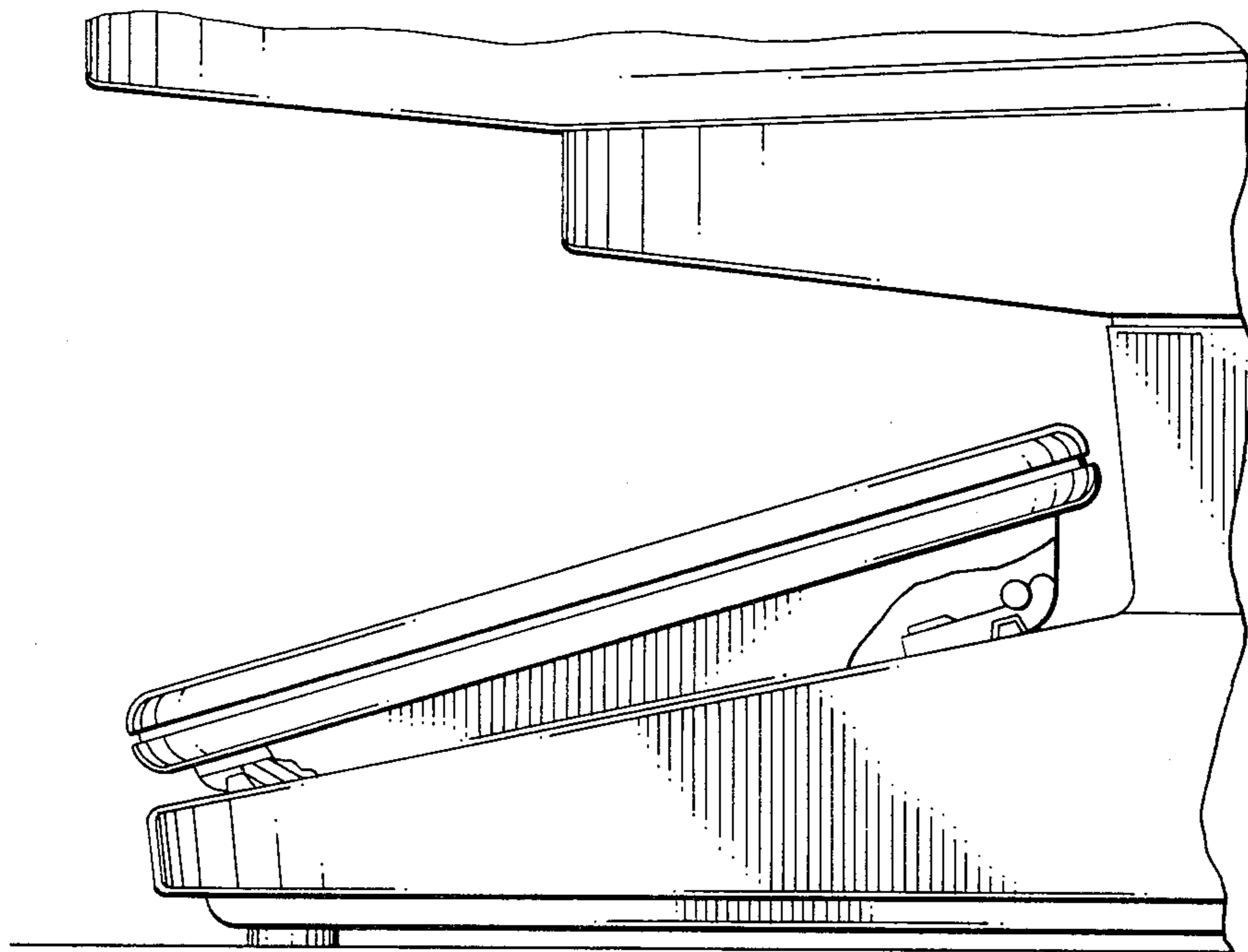


FIG. 7

FIG. 8

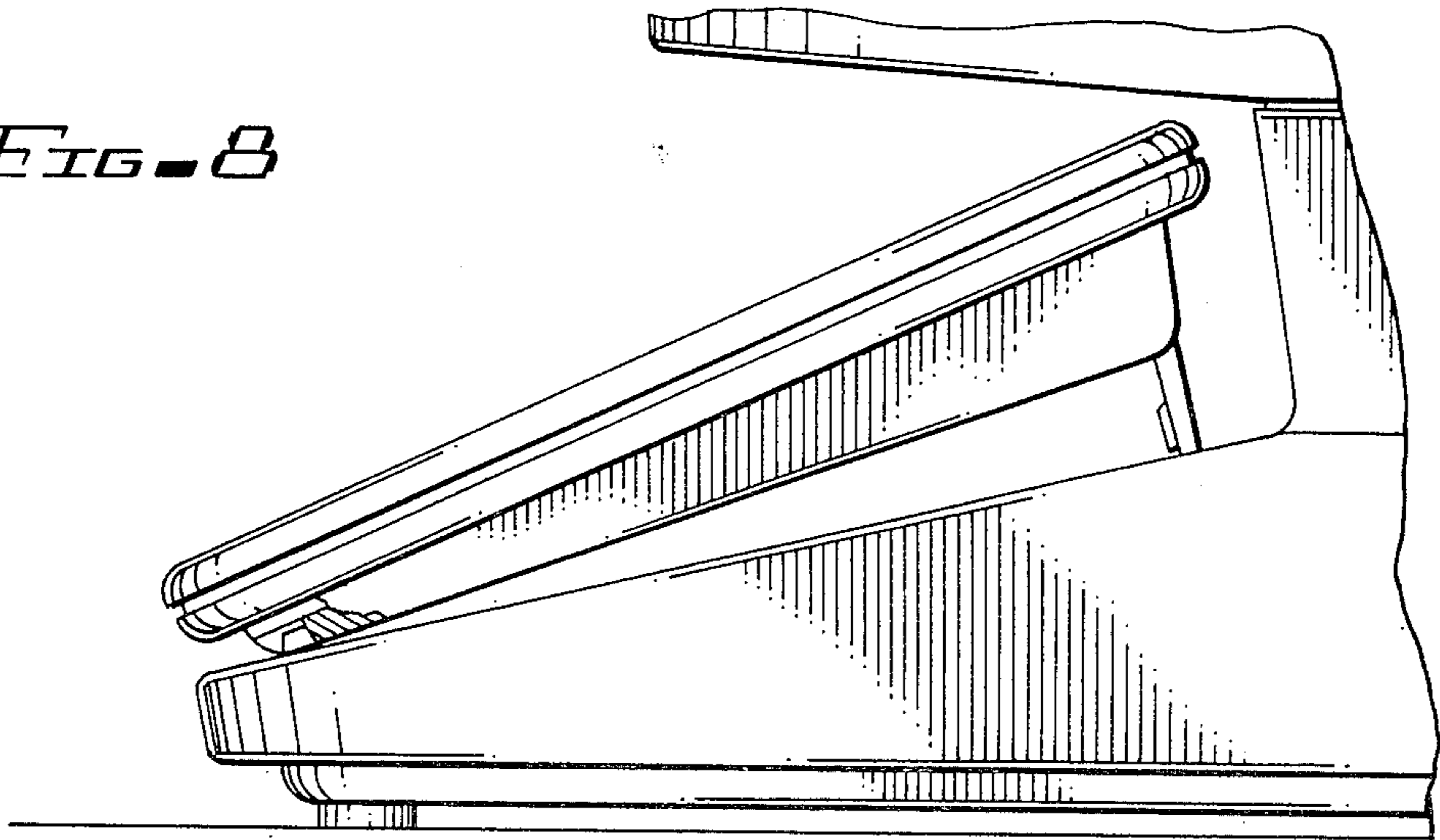


FIG. 9

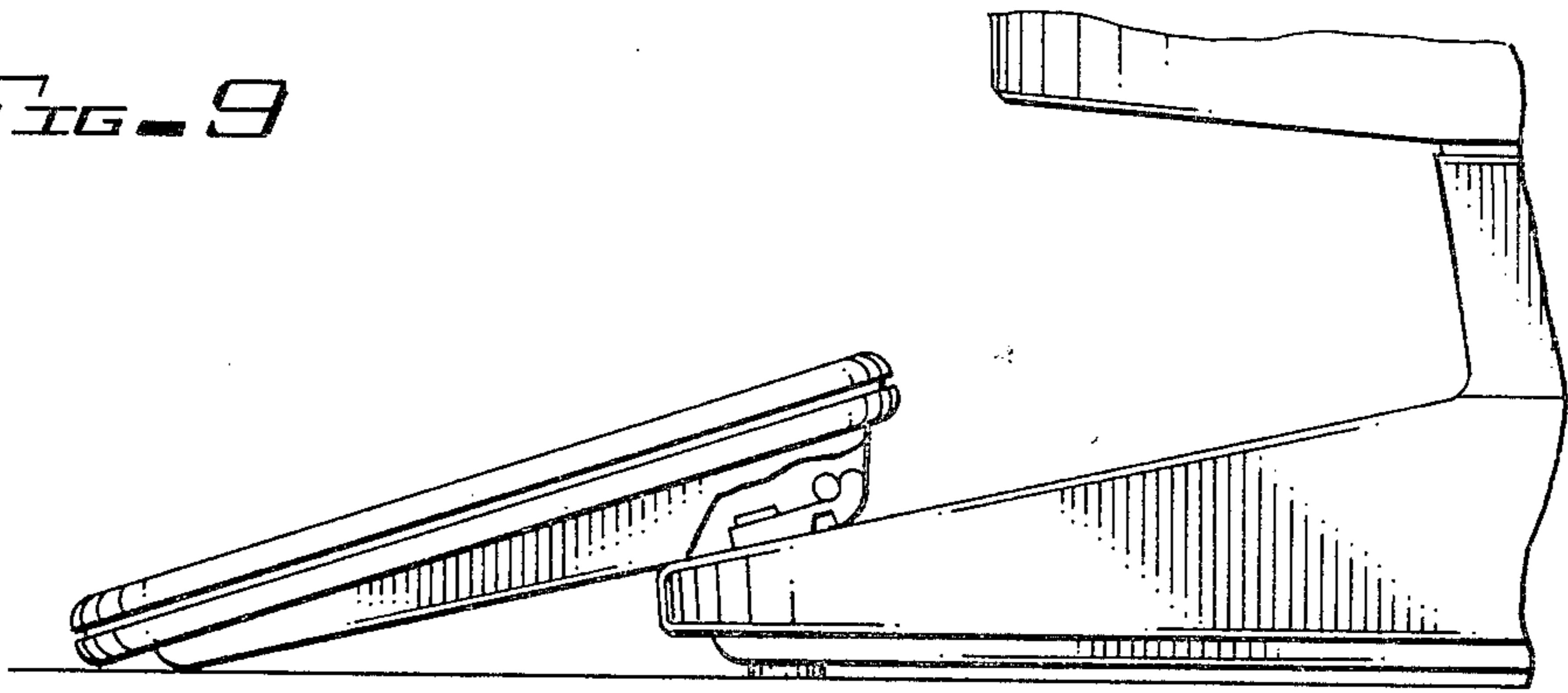


FIG. 10

