

[54] COMBINED HOUSING FOR BIAS COMPONENTS AND CONNECTOR THEREFOR

[75] Inventors: John E. Kasianowicz, Newton; Michael L. Landes, Brockton, both of Mass.

[73] Assignee: GTE Government Systems Corporation, Waltham, Mass.

[**] Term: 14 Years

[21] Appl. No.: 620,300

[22] Filed: Jun. 13, 1984

[52] U.S. Cl. D13/99; D13/24

[58] Field of Search D13/24, 25, 27-31; 99/4, 11; 339/147 R, 147 P, 177 R; 174/52 R; 361/331, 332, 334, 380

[56] References Cited

U.S. PATENT DOCUMENTS

4,345,290 8/1982 Johnson 174/52 R X
4,502,749 5/1985 Forney, Jr. et al. 339/177 R

Primary Examiner—Susan J. Lucas
Attorney, Agent, or Firm—J. Stephen Yeo

[57] CLAIM

The ornamental design for a combined housing for bias components and connector therefor; as shown and described.

DESCRIPTION

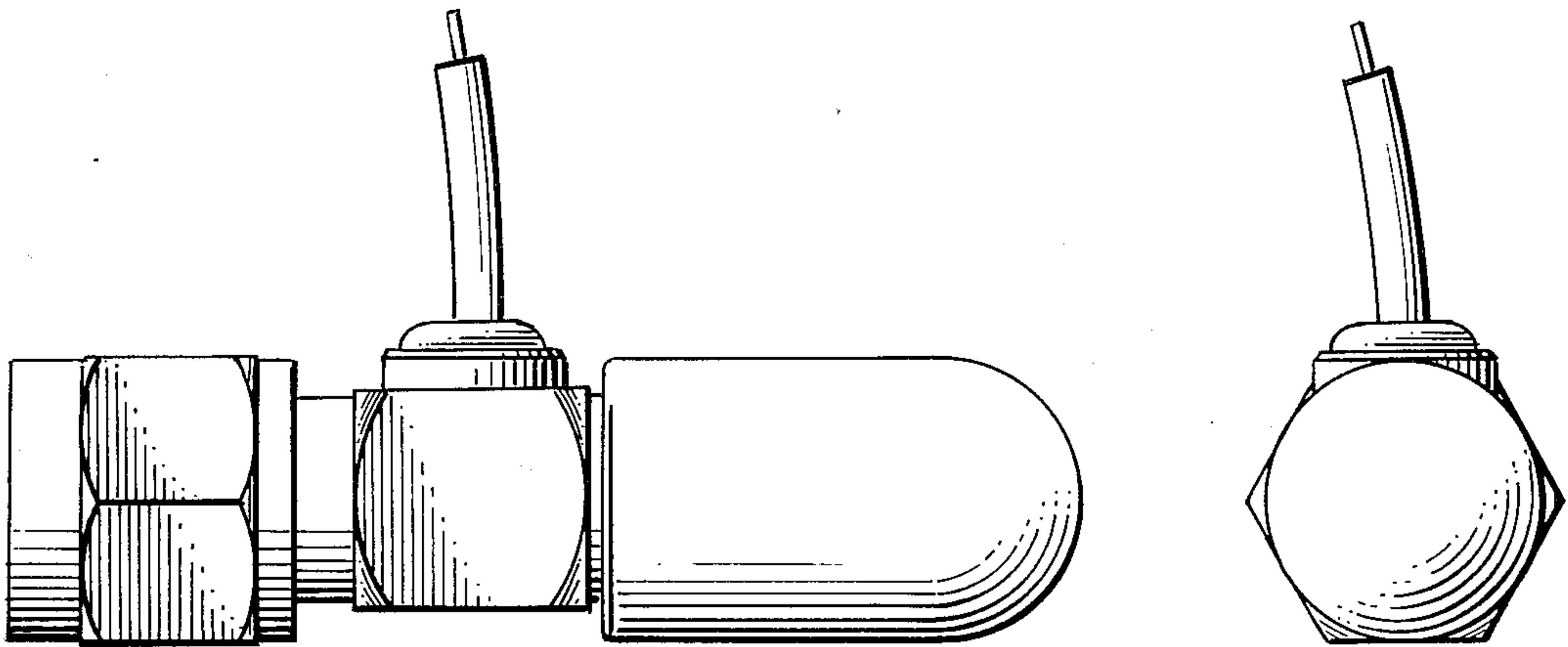
FIG. 1 is a side elevational view of the combined housing for bias components and connector therefor showing our new design, the opposite side being a mirror image;

FIG. 2 is a top plan view thereof;

FIG. 3 is a bottom plan view thereof;

FIG. 4 is an end elevational view thereof as seen from the left of FIG. 1;

FIG. 5 is an end elevational view thereof as seen from the right of FIG. 1.



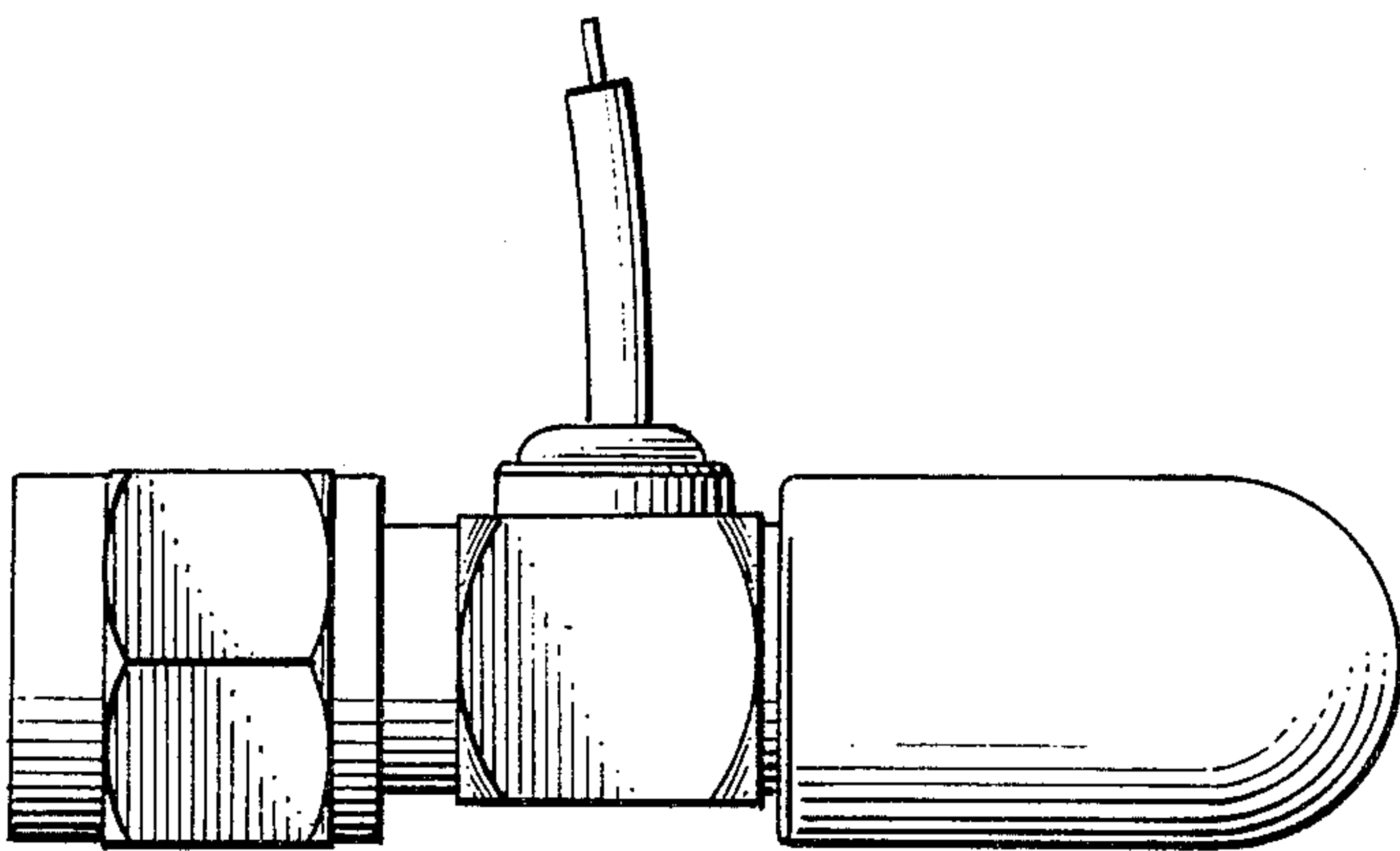


FIG. 1

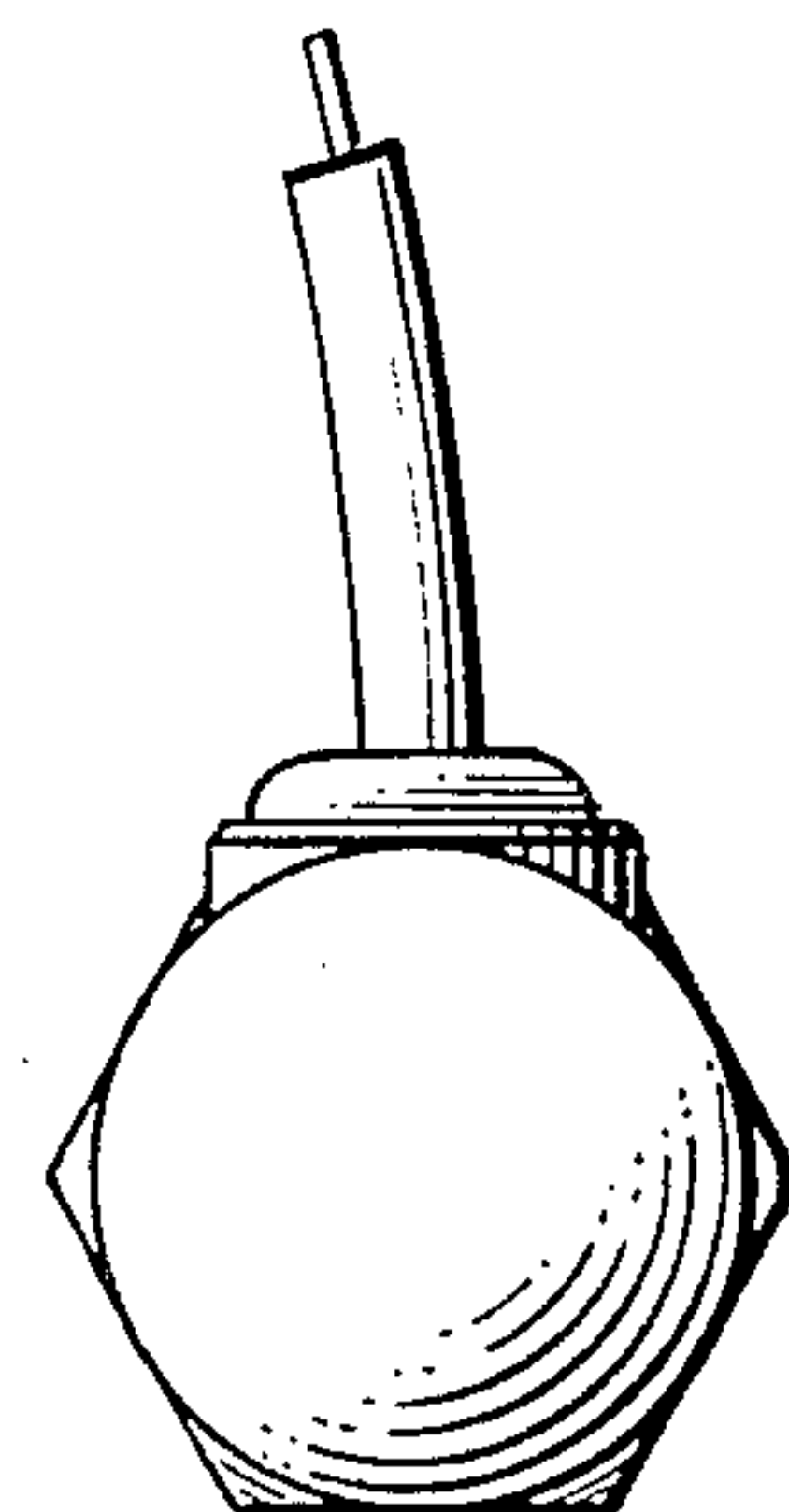


FIG. 5

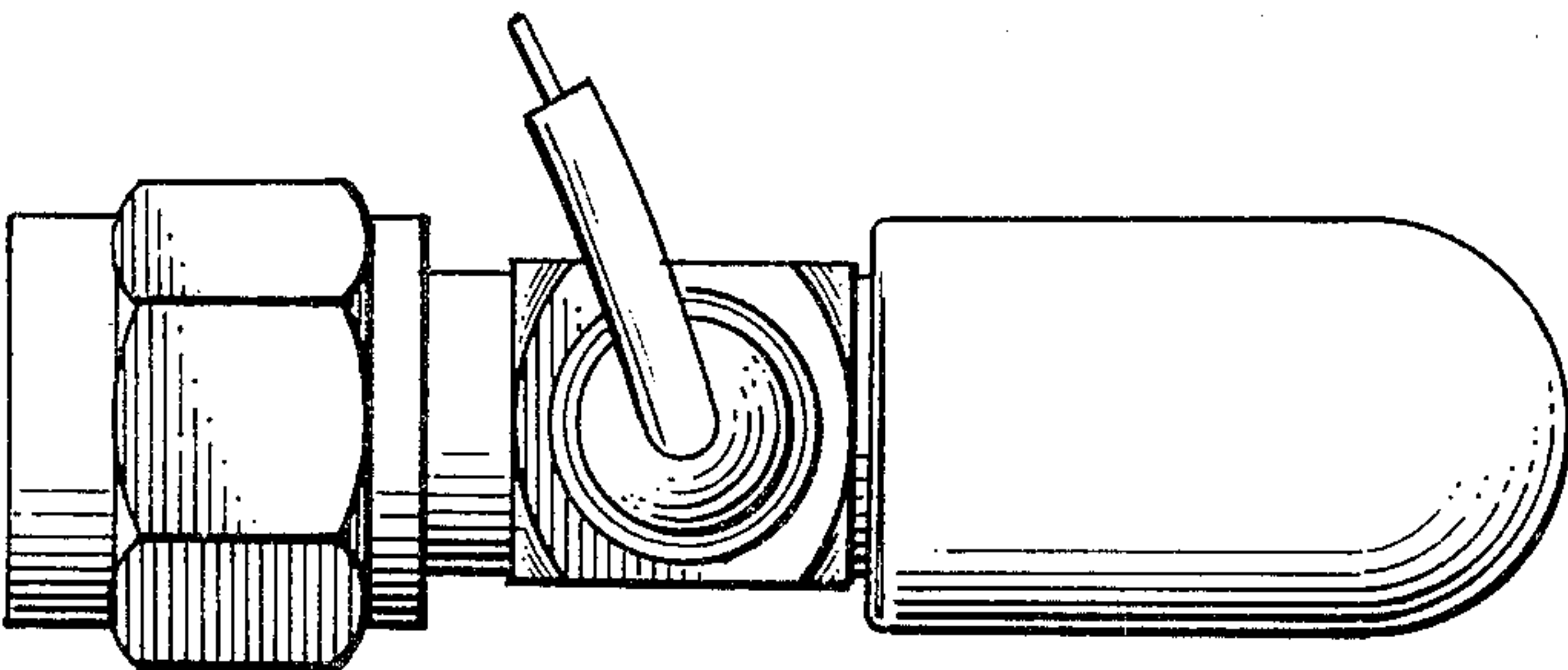


FIG. 2

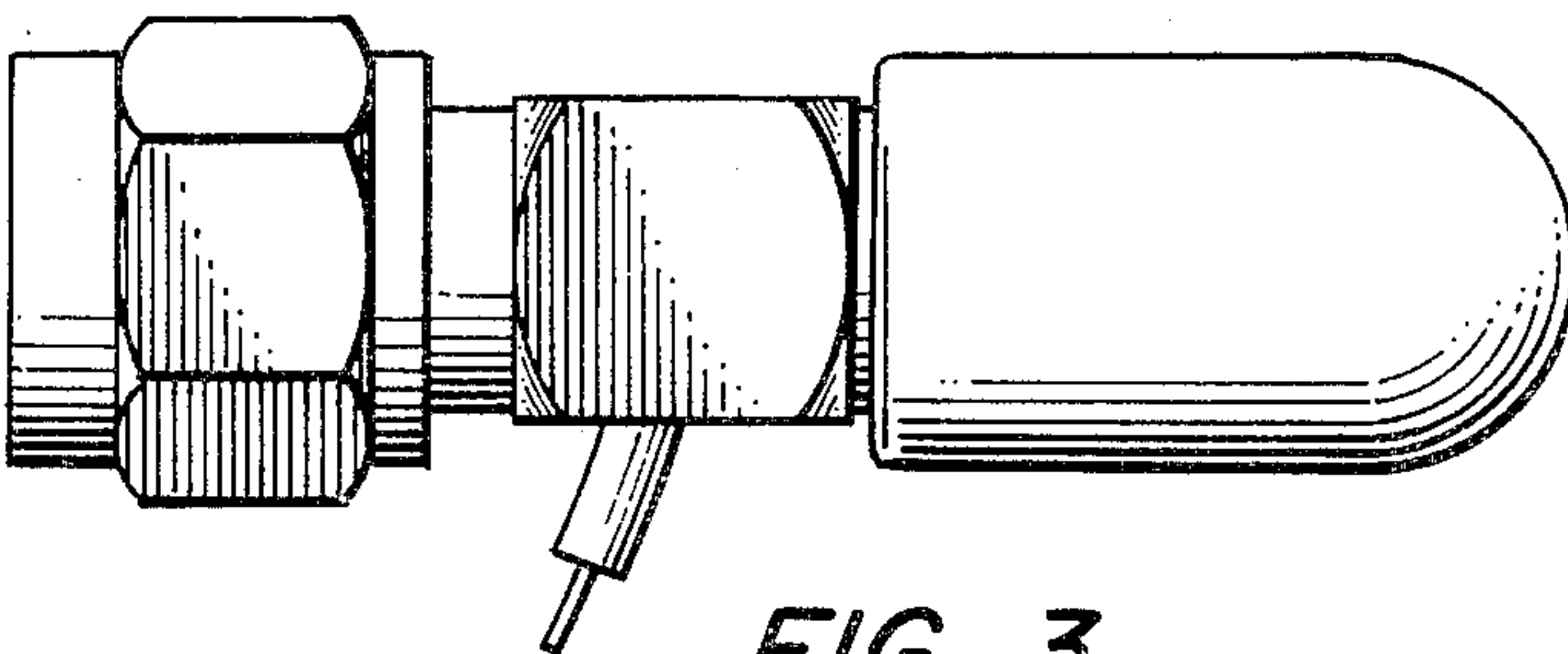


FIG. 3

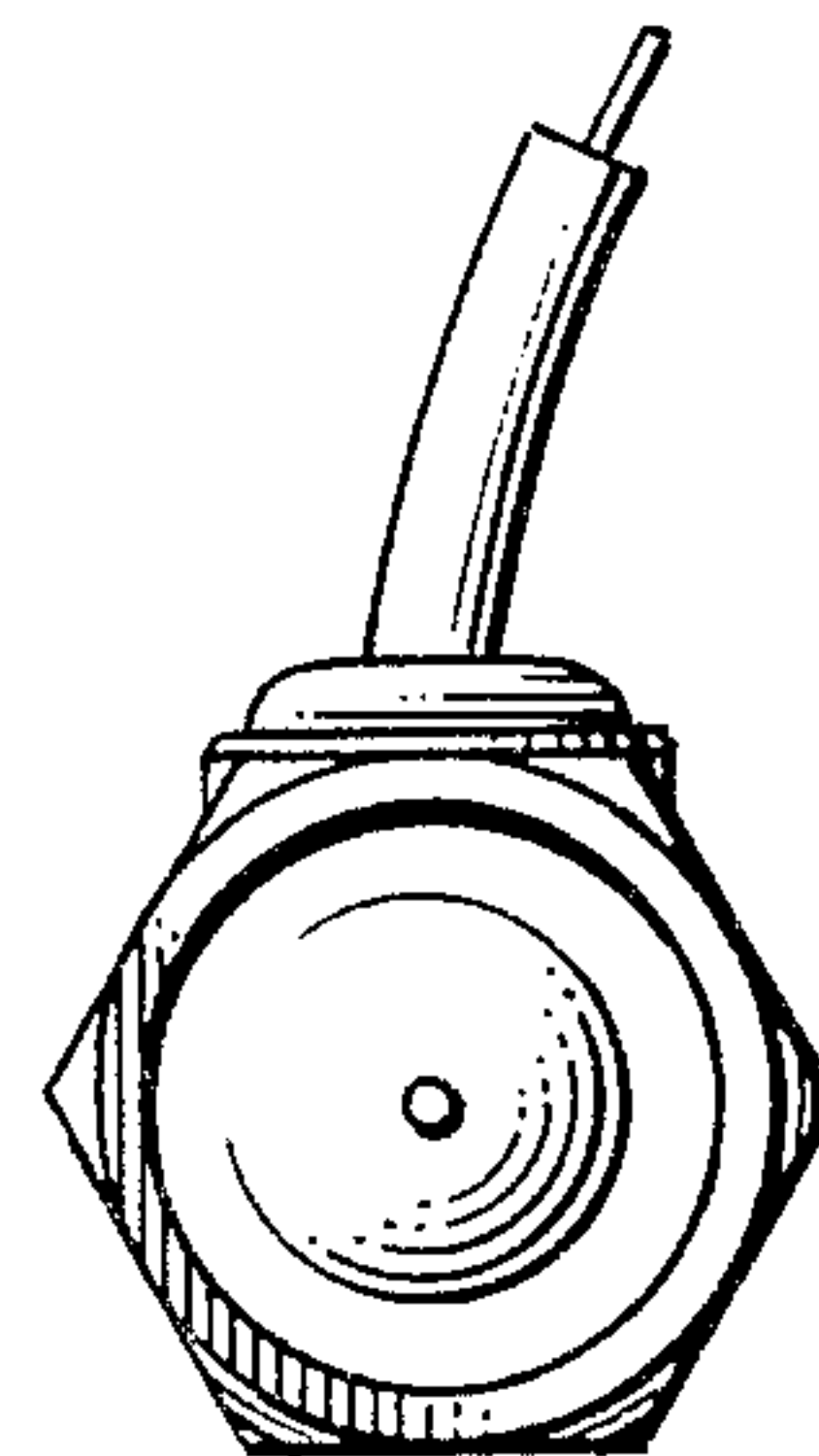


FIG. 4