

[54] **SPARE TIRE CARRIER**

[76] **Inventor: William A. Hooper, Jr., 6910 Sycamore, Kansas City, Mo. 64133**

[**] **Term: 14 Years**

[21] **Appl. No.: 681,607**

[22] **Filed: Dec. 14, 1984**

[52] **U.S. Cl. D12/202**

[58] **Field of Search D12/202; 224/42.06, 224/42.12, 42.13, 42.21, 42.23; 296/37.2**

[56] **References Cited**

U.S. PATENT DOCUMENTS

3,323,667	6/1967	Hall	224/42.06
3,862,696	1/1975	McCauley et al.	224/42.21
4,238,091	12/1980	Clain et al.	224/42.06

FOREIGN PATENT DOCUMENTS

1237021 6/1960 France 224/42.24

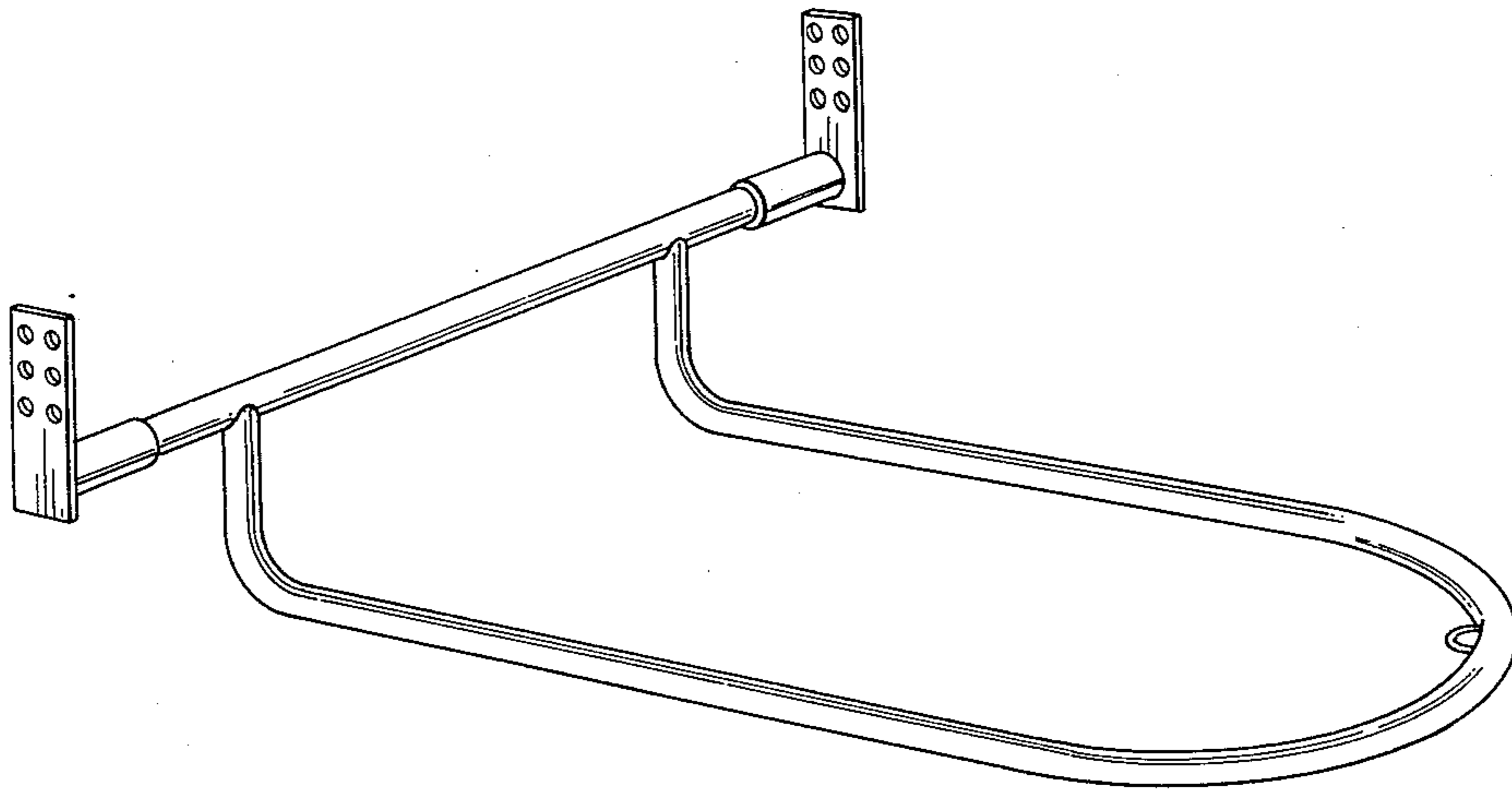
Primary Examiner—James M. Gandy
Attorney, Agent, or Firm—Kokjer, Kircher, Bradley, Wharton, Bowman & Johnson

[57] **CLAIM**

The ornamental design for a spare tire carrier, as shown.

DESCRIPTION

FIG. 1 is a perspective view of a spare tire carrier embodying my new design;
FIG. 2 is a top plan view thereof;
FIG. 3 is a side elevational view thereof;
FIG. 4 is a front elevational view thereof; and
FIG. 5 is a rear elevational view thereof.



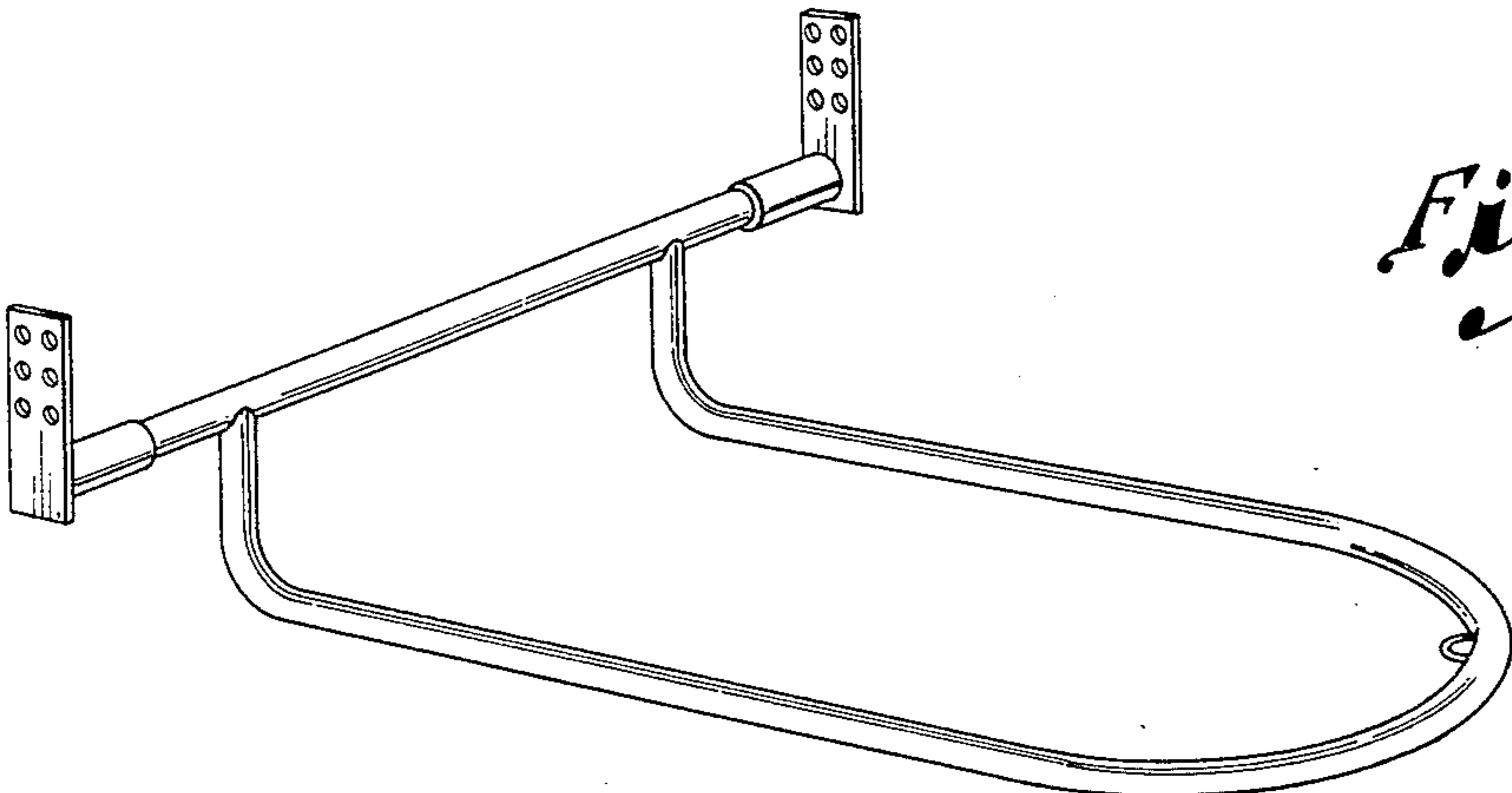


Fig. 1.

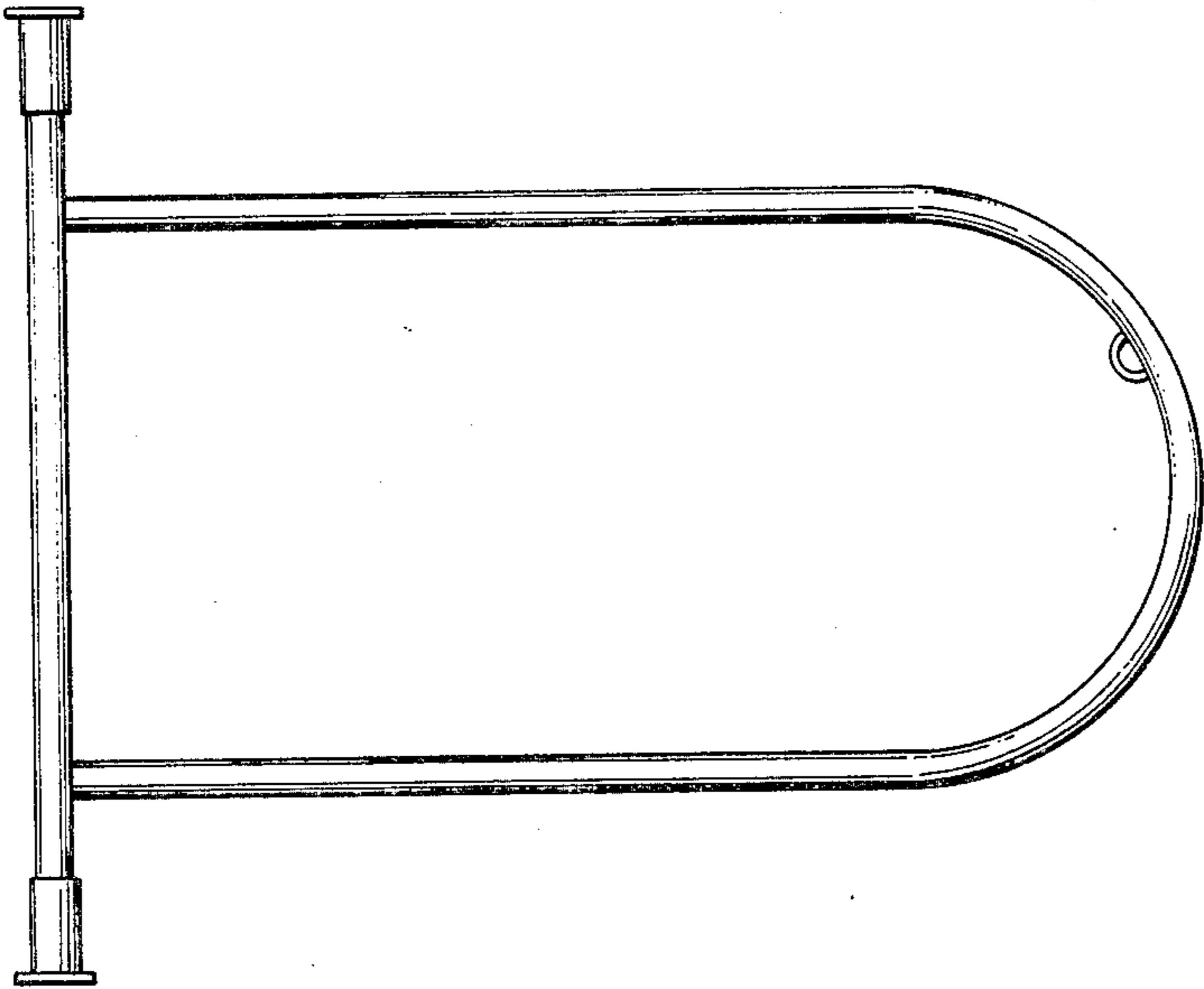


Fig. 2.

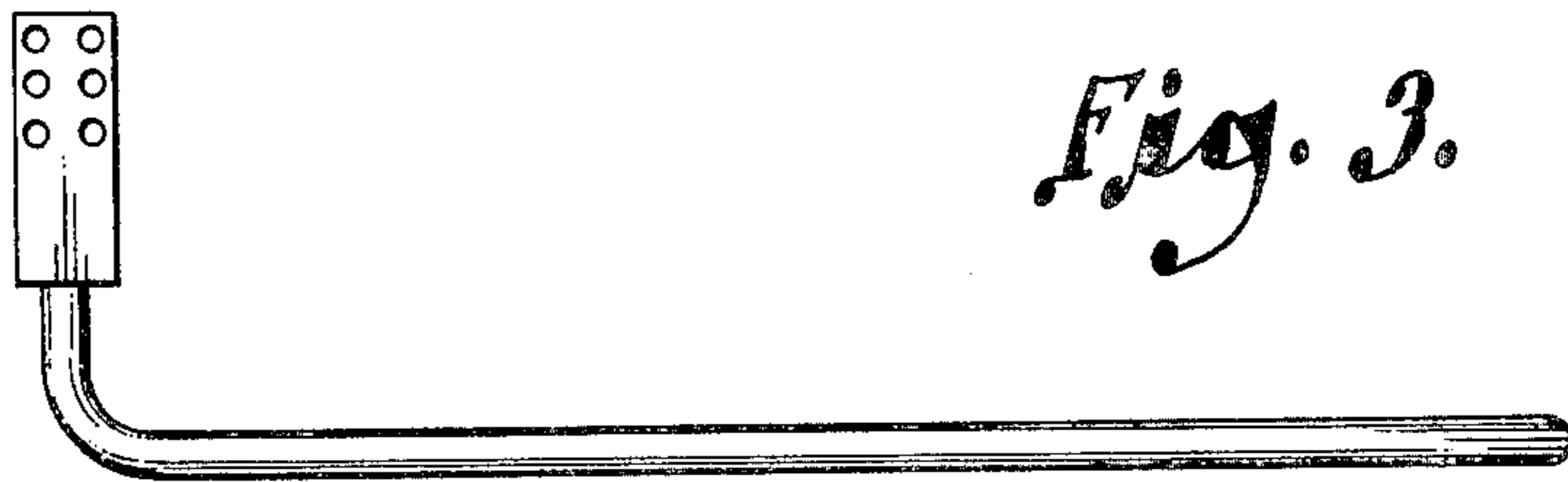


Fig. 3.

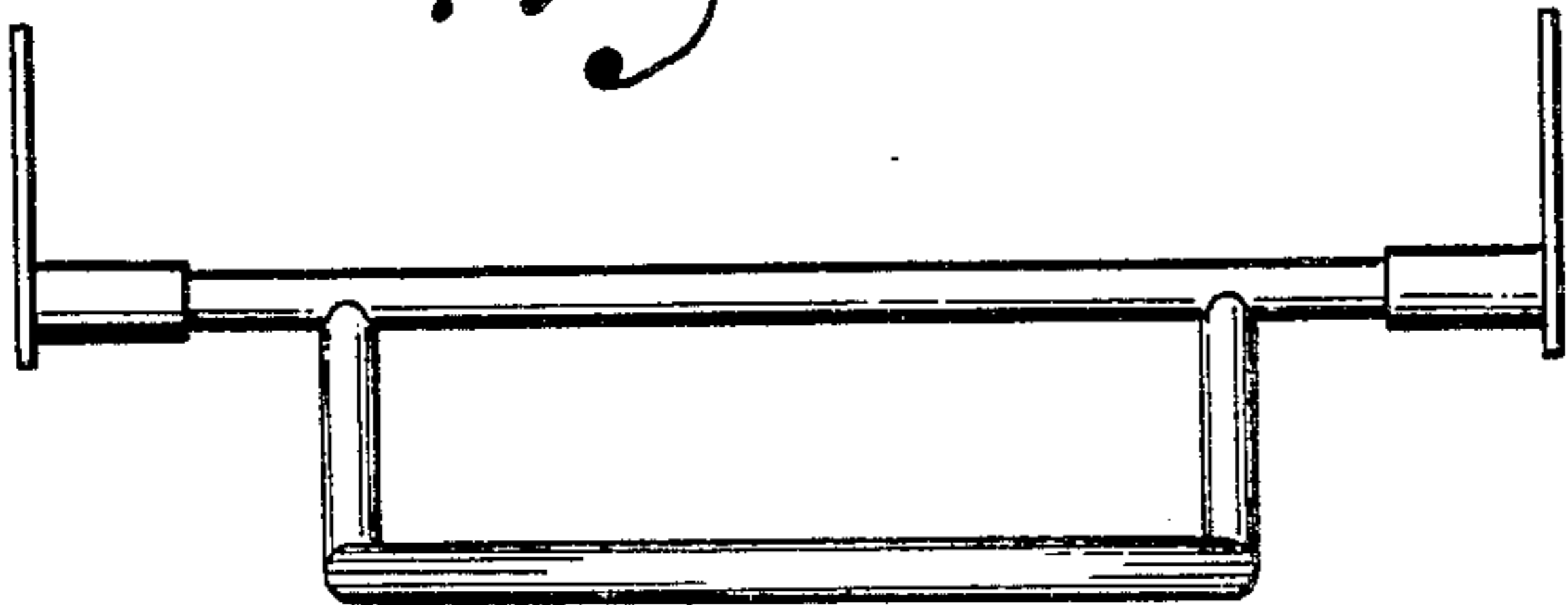


Fig. 4.

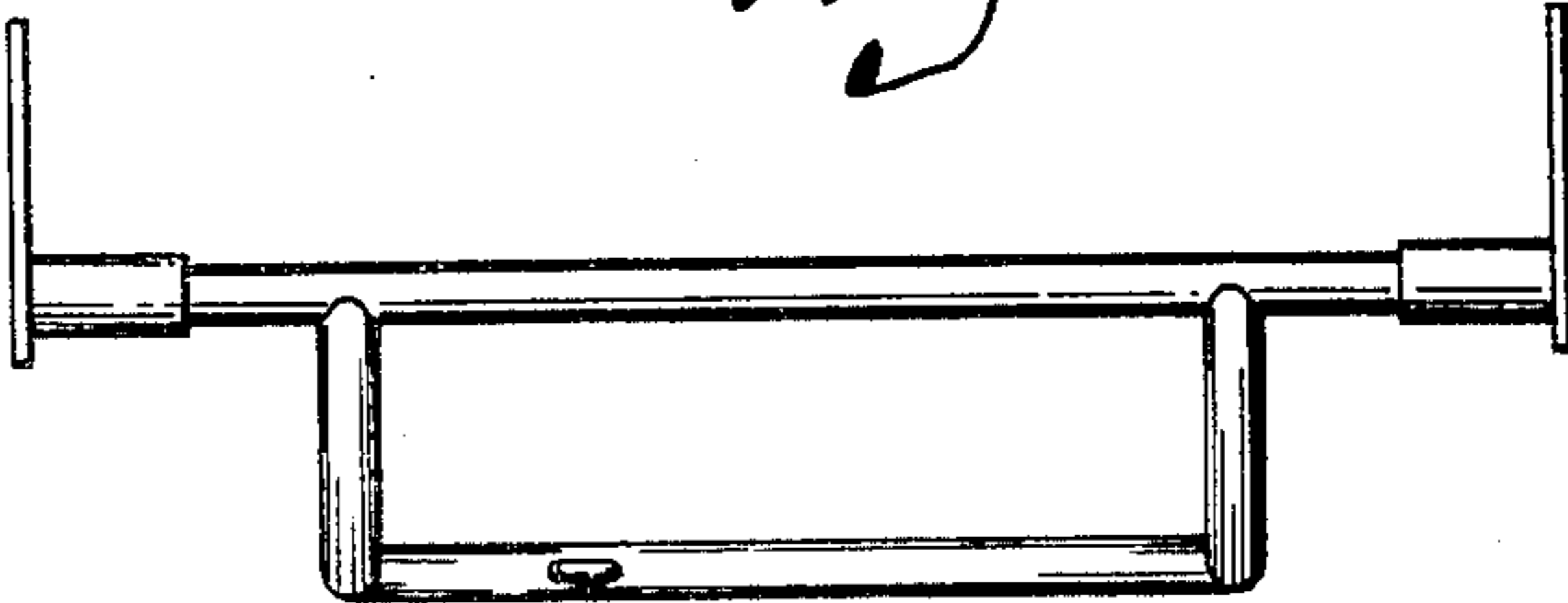


Fig. 5.