

United States Patent [19]

Yerkes

[11] Patent Number: **Des. 287,951**

[45] Date of Patent: **** Jan. 27, 1987**

[54] **BICYCLE SEAT POST WITH SPRING SUPPORT**

[76] Inventor: **Richard H. Yerkes, 2647 Skyview Ave., Langhorne, Pa. 19047**

[**] Term: **14 Years**

[21] Appl. No.: **879,169**

[22] Filed: **Jun. 26, 1986**

[52] U.S. Cl. **D12/119**

[58] Field of Search **D12/119; 297/209, 210, 297/215**

[56] **References Cited**

FOREIGN PATENT DOCUMENTS

48362	2/1934	Denmark	297/215
25714	1/1923	France	297/209
026001	3/1923	France	297/209

027072 1/1924 France 297/209

30947 7/1926 France 297/209

459117 10/1949 Italy 297/215

Primary Examiner—James M. Gandy

Attorney, Agent, or Firm—John J. Simkanich

[57] **CLAIM**

The ornamental design for a bicycle seat post with spring support, as shown and described.

DESCRIPTION

FIG. 1 is a perspective view of a bicycle seat post with spring support showing my new design;

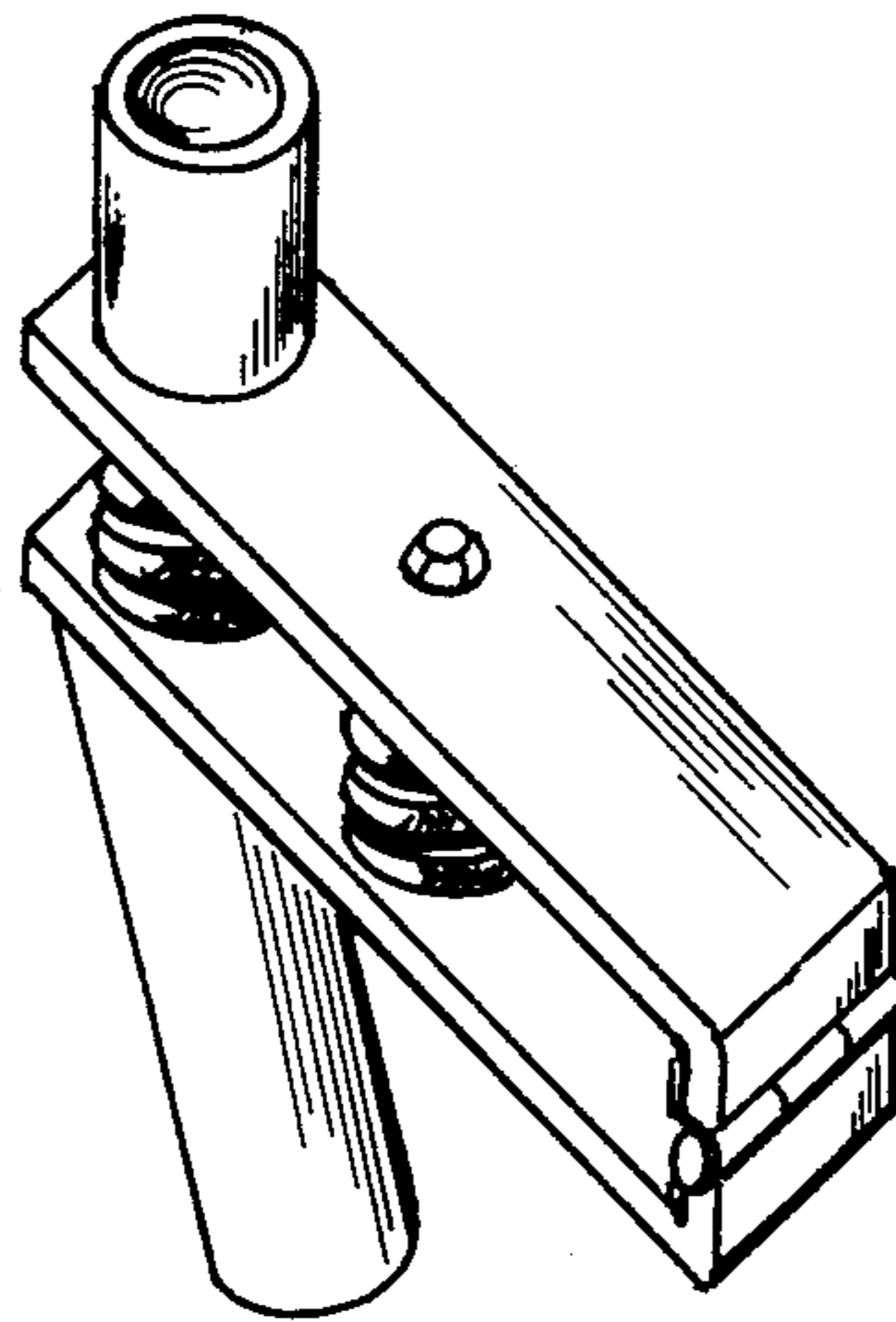
FIG. 2 is a top plan view thereof;

FIG. 3 is a bottom plan view thereof;

FIG. 4 is a left side elevation view; the right side being a mirror image thereof;

FIG. 5 is a front elevation view thereof; and

FIG. 6 is a rear elevation view thereof.



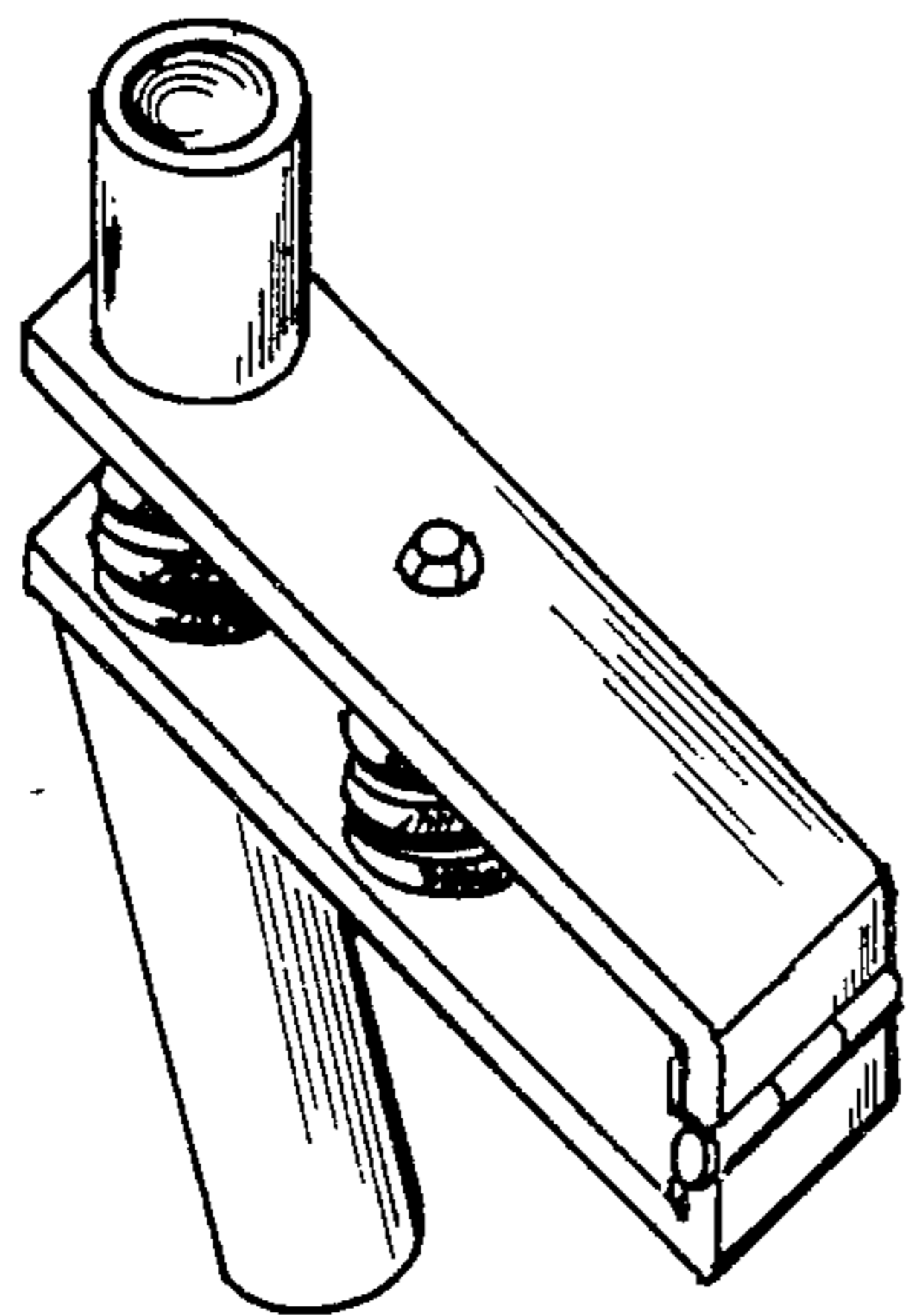


FIG. 1

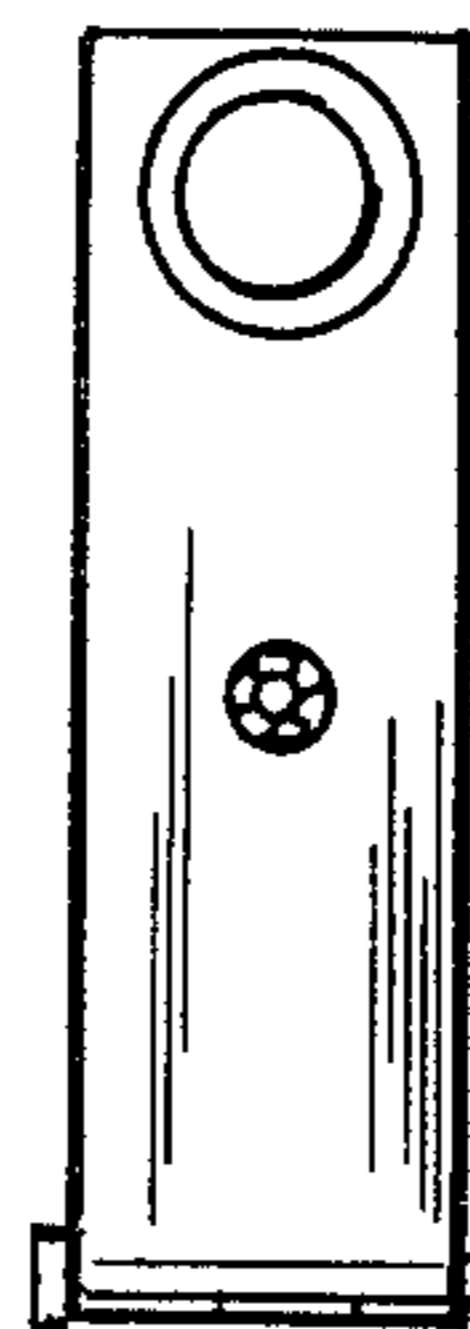


FIG. 2

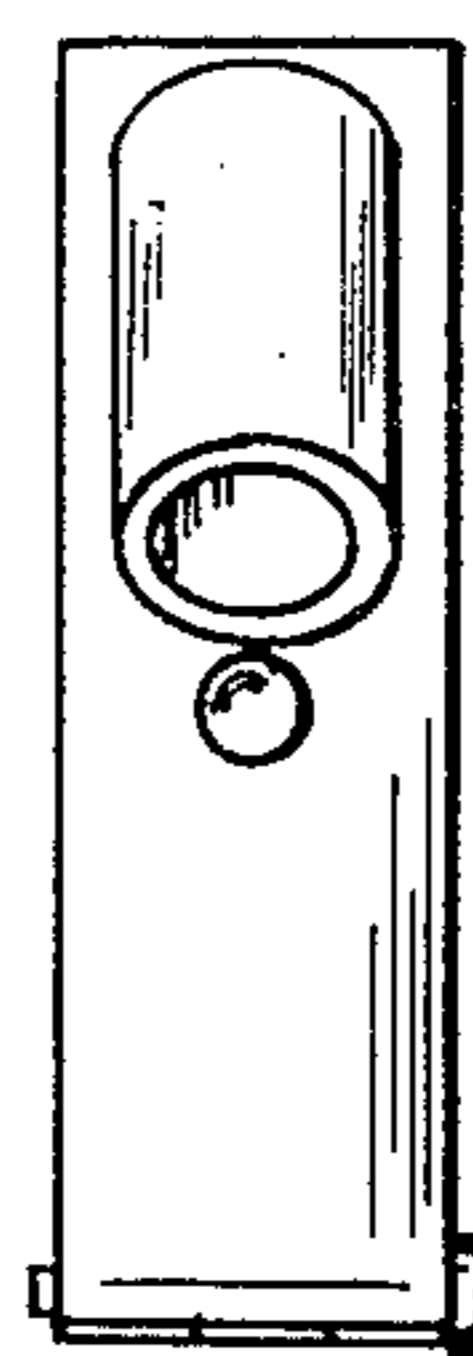
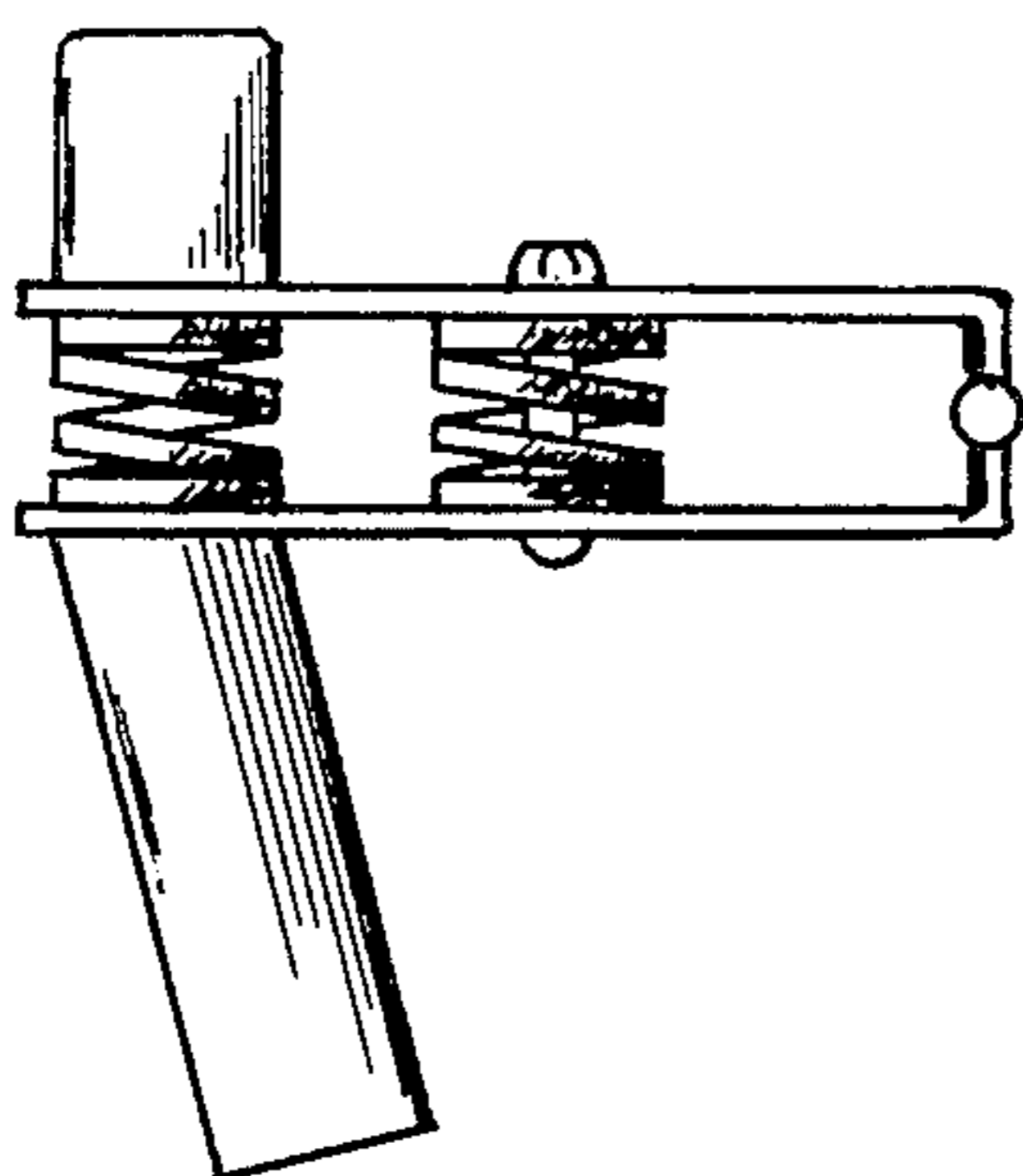


FIG. 4

FIG. 3

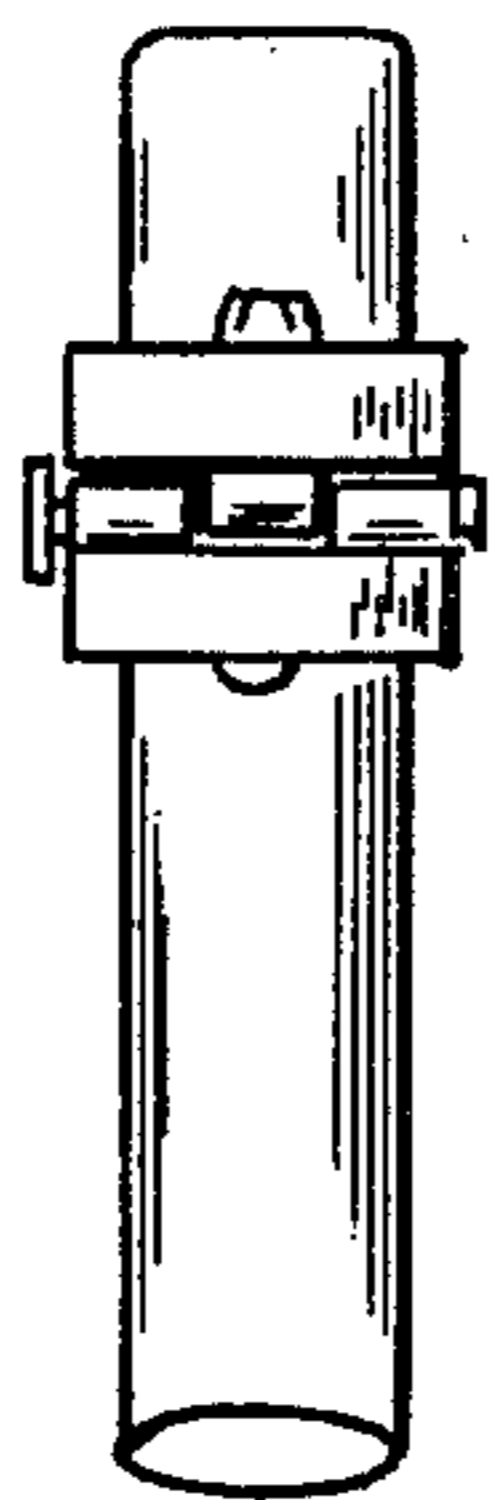


FIG. 5

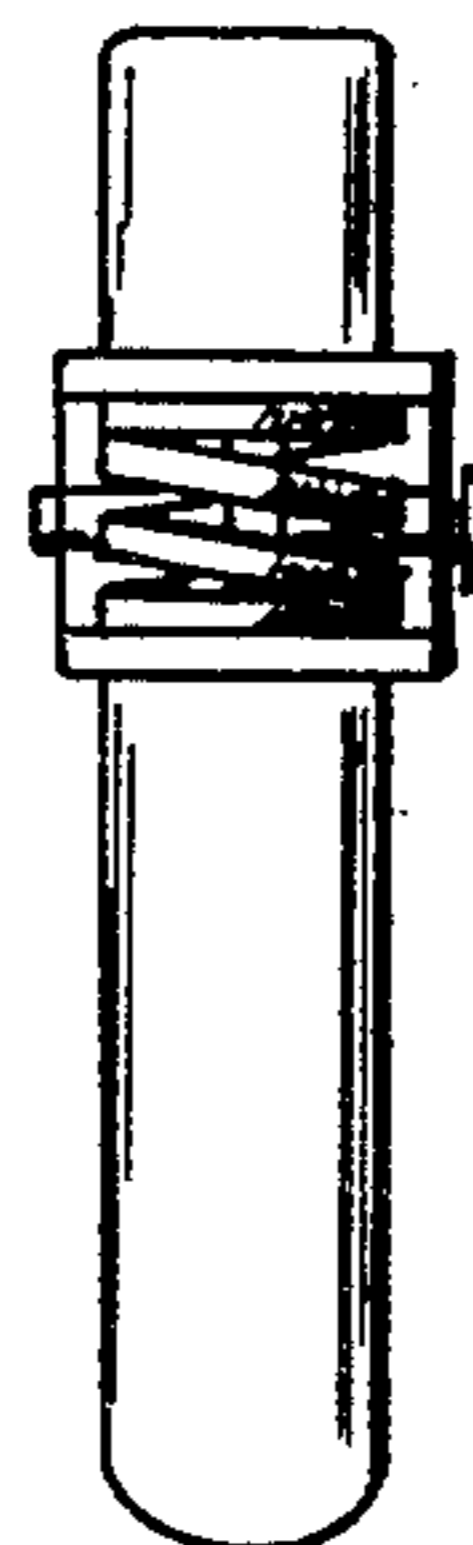


FIG. 6