

[54] TRAFFIC LIGHT

[76] Inventor: Edwin C. Evans, 47 Colonial Pkwy.,
Manhasset, N.Y. 11030

[**] Term: 14 Years

[21] Appl. No.: 685,758

[22] Filed: Dec. 24, 1984

[52] U.S. Cl. D10/115; D26/30

[58] Field of Search D26/28-36;
D10/114, 115; 340/84, 87, 97, 91, 107, 109, 110,
81; 40/541, 557; D20/10, 12, 17

[56] References Cited

U.S. PATENT DOCUMENTS

- D. 63,442 12/1923 Stover D26/30
- D. 64,530 4/1924 Cannon D26/30

- D. 118,312 12/1939 Pope D26/30
- D. 180,548 7/1957 D'Addabbo D10/115
- 1,586,242 5/1926 Duthie 340/110
- 2,453,421 11/1948 Dyer 340/110
- 3,085,224 4/1963 Becka 340/107 X

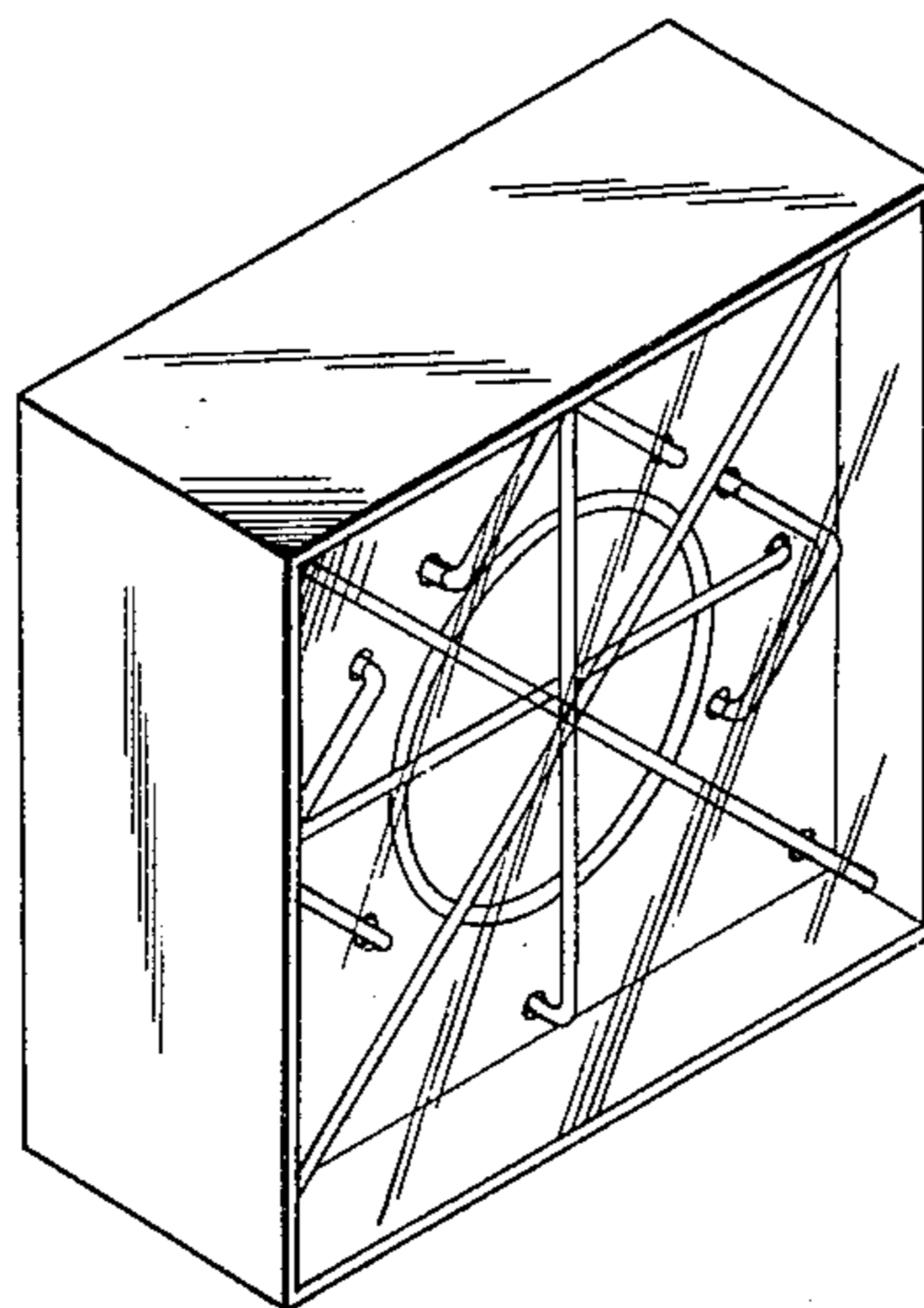
Primary Examiner—Susan J. Lucas
Attorney, Agent, or Firm—Davis Hoxie Faithfull &
Hapgood

[57] CLAIM

The ornamental design for a traffic light, as shown and described.

DESCRIPTION

FIG. 1 is a top front perspective view of a traffic light showing my new design;
FIG. 2 is a bottom front perspective view thereof;
FIG. 3 is a front elevational view thereof.
The rear is flat and unornamented.



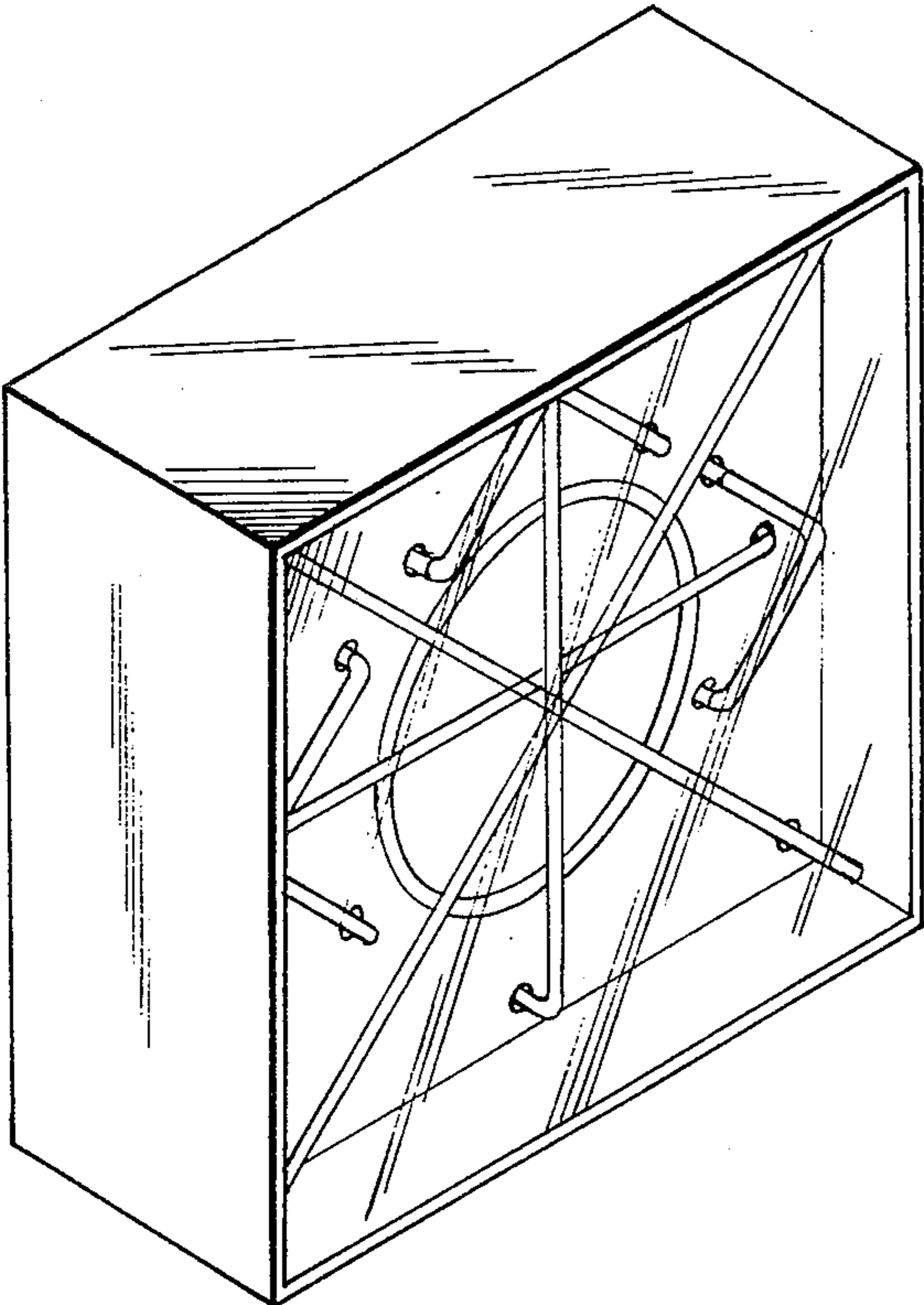


FIG. 1

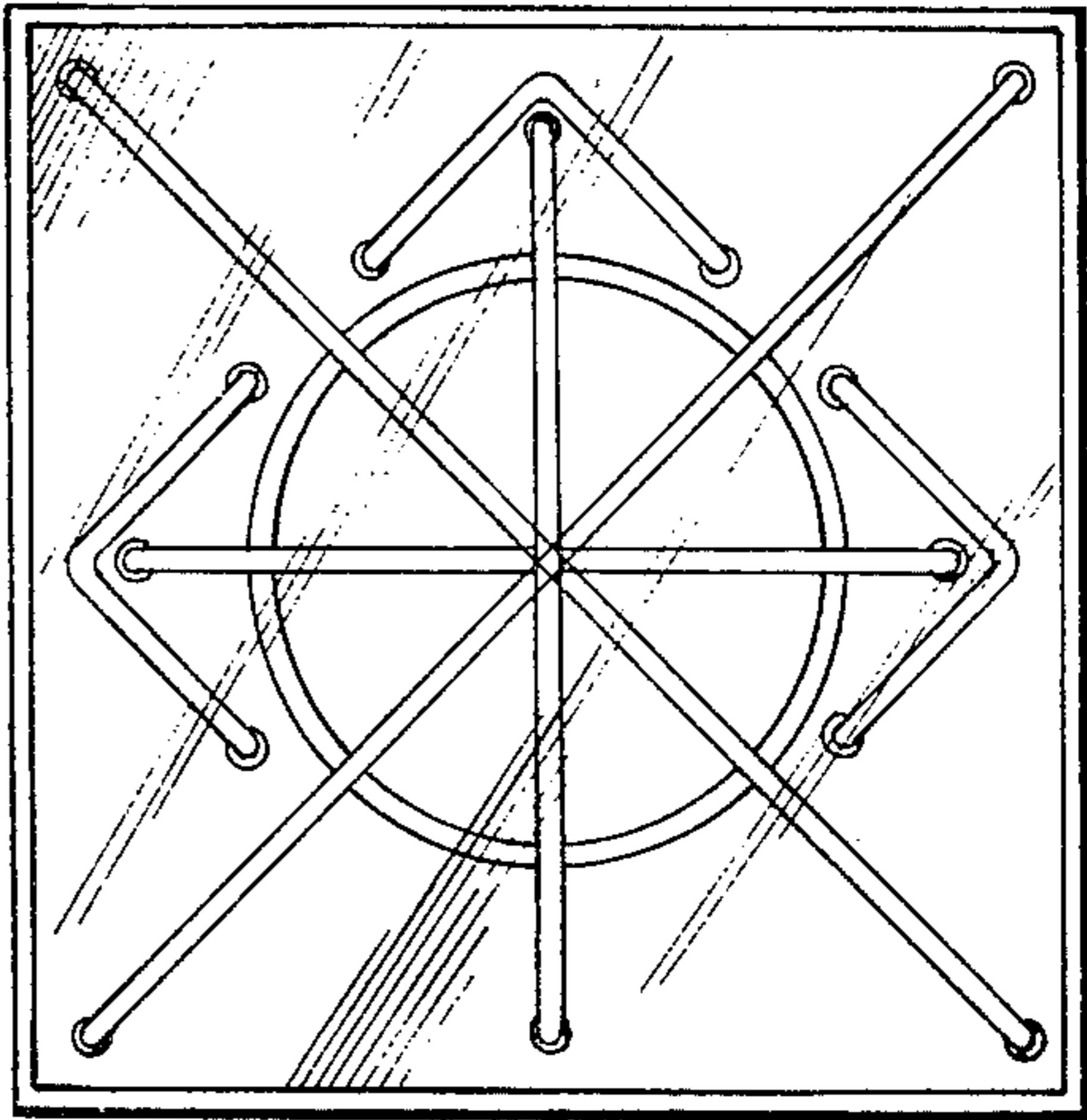


FIG. 3

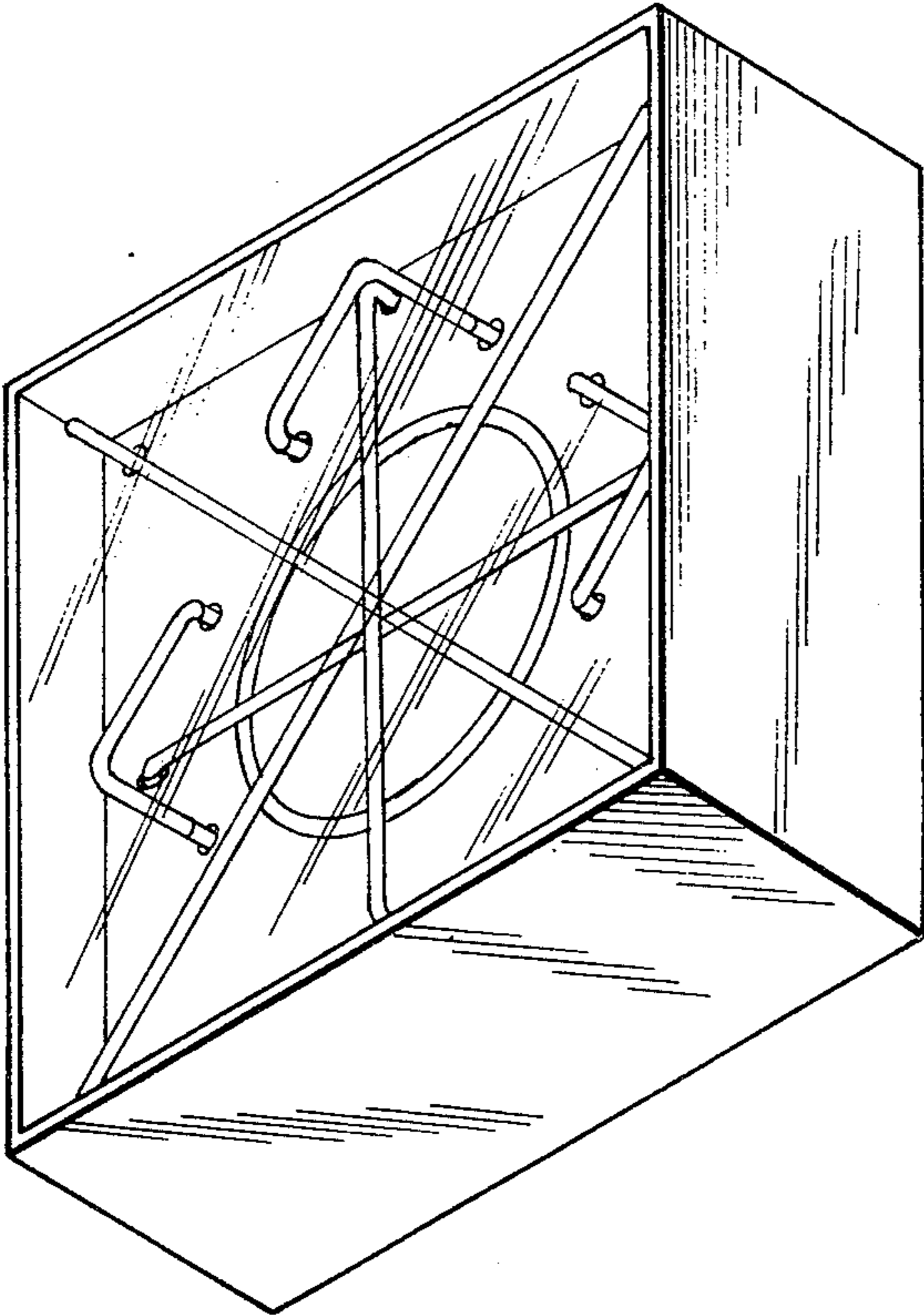


FIG. 2