

[54] **WHEEL BALANCING MACHINE**

[76] **Inventor: Hyo-Sup Park, 387 Laurelwood Rd., Santa Clara, Calif. 95050**

[\*\*] **Term: 14 Years**

[21] **Appl. No.: 540,146**

[22] **Filed: Oct. 7, 1983**

[52] **U.S. Cl. .... D10/82**

[58] **Field of Search ..... D10/82; 73/475, 476, 73/473, 462, 477**

[56] **References Cited**

**U.S. PATENT DOCUMENTS**

D. 255,015	5/1980	Hihara	.....	D10/82
2,322,939	6/1943	Inman	.....	73/473
2,341,141	2/1944	Greenleaf et al.	.....	73/473
4,489,607	12/1984	Park	.....	73/476 X

**OTHER PUBLICATIONS**

*Modern Tire Dealer* Jul. 1977, p. 73; Balancing Machine on page.

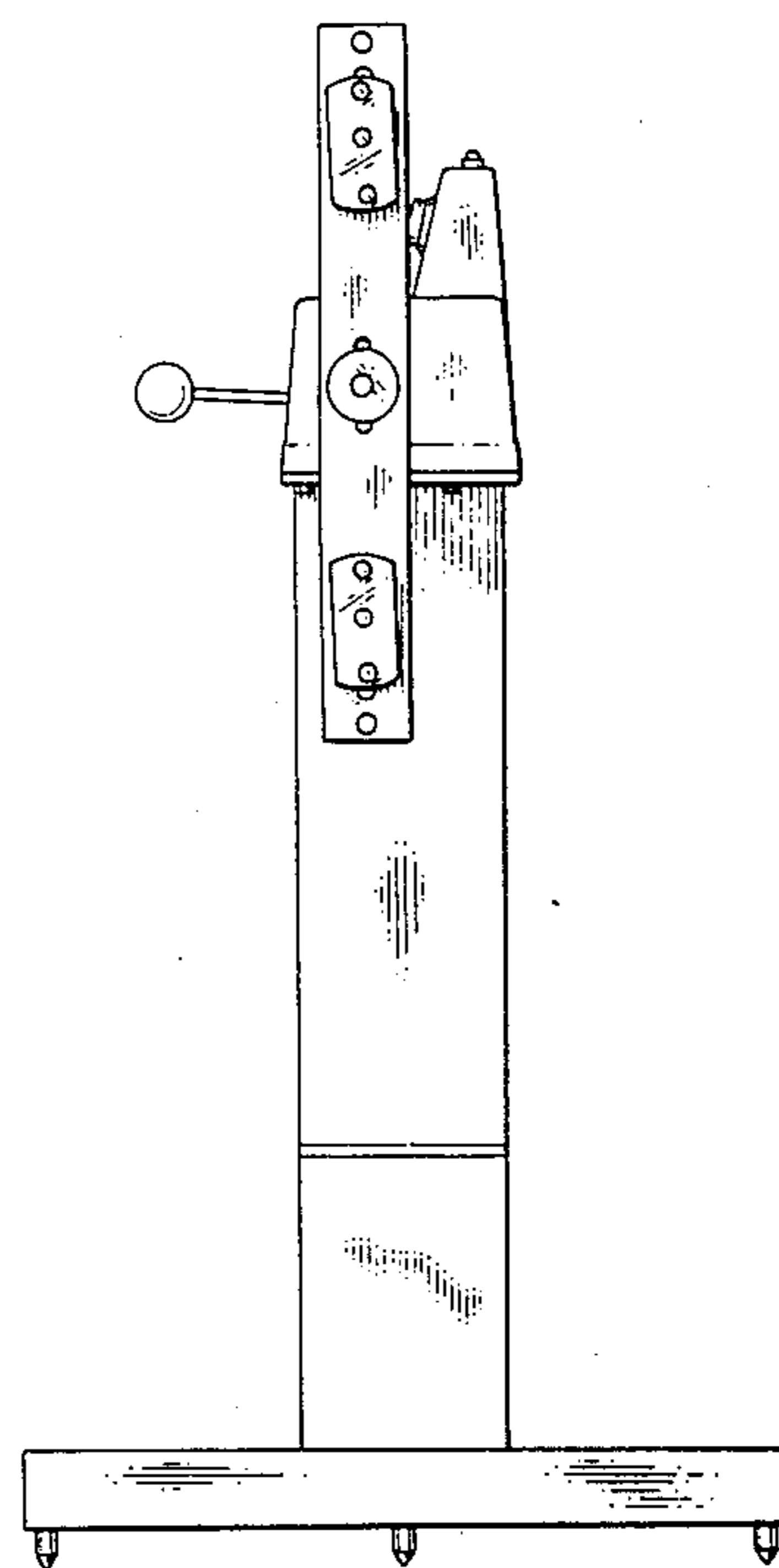
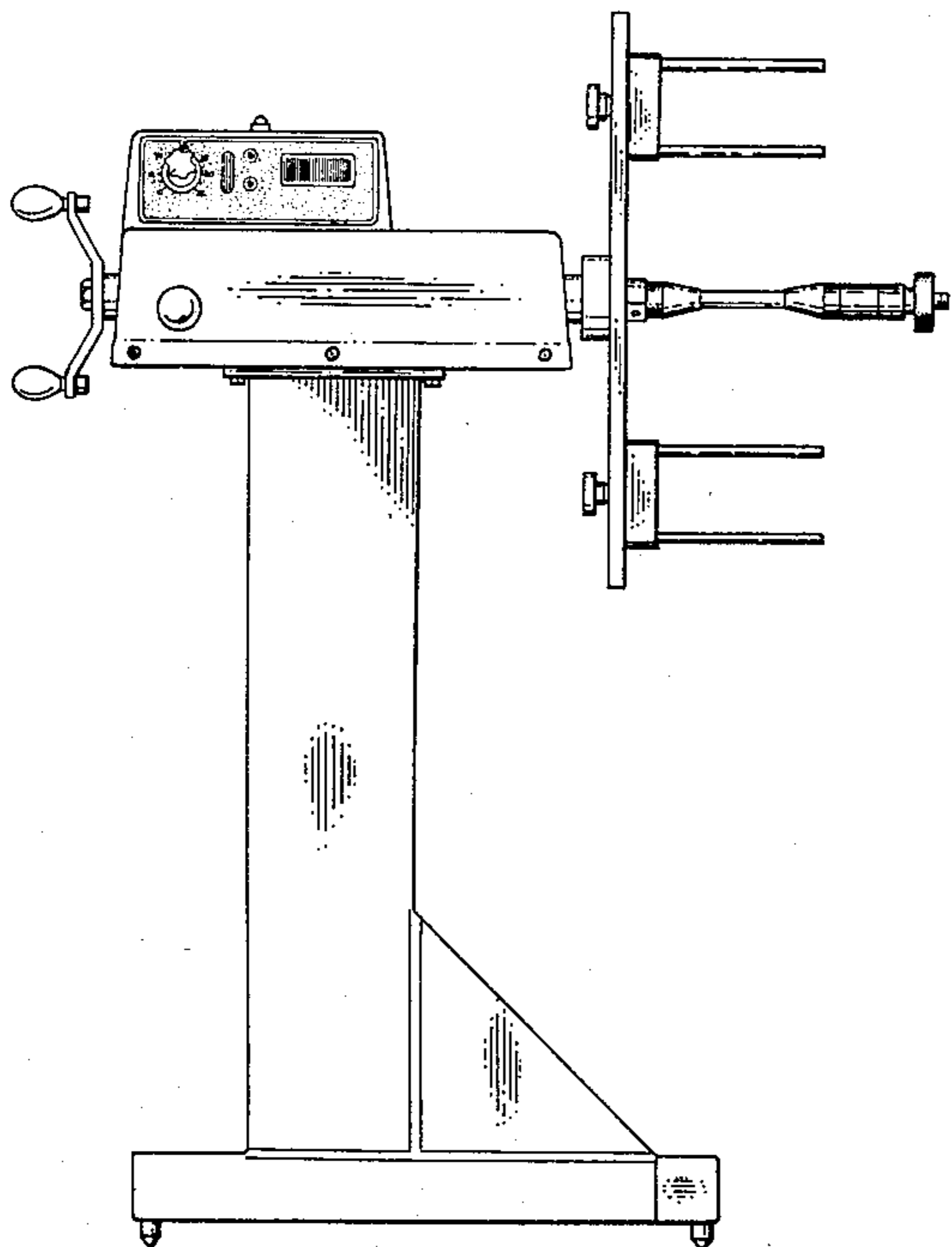
*Primary Examiner*—Carmen H. Vales

[57] **CLAIM**

The ornamental design for a wheel balancing machine, as shown and described.

**DESCRIPTION**

FIG. 1 is a front elevational view of a wheel balancing machine showing my new design; FIG. 2 is right end elevational view; FIG. 3 is a rear elevational view; FIG. 4 is a left end elevational view; FIG. 5 is a top plan view; FIG. 6 is a bottom plan view; and FIG. 7 is an enlarged fragmentary view of the control panel.



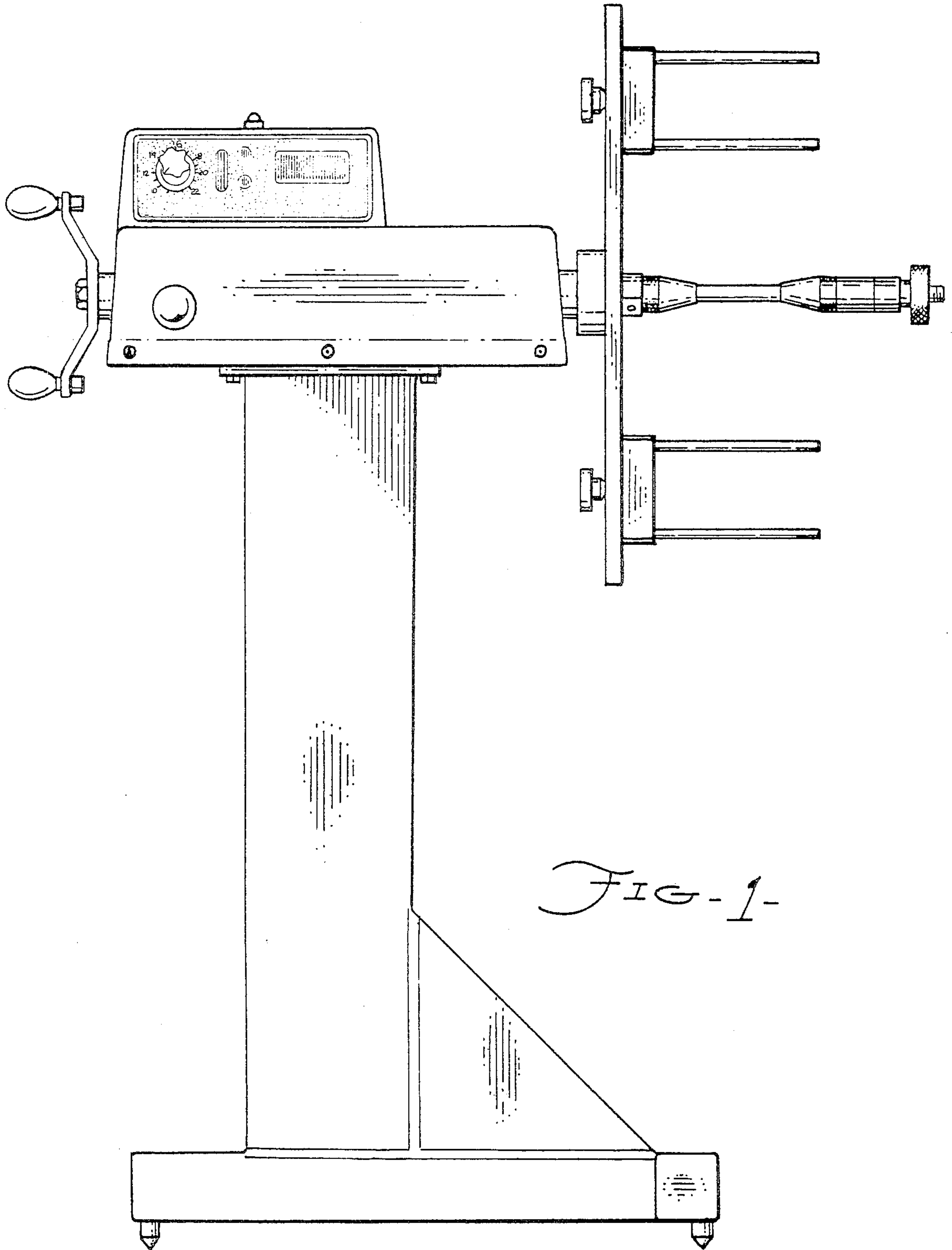


FIG-1-

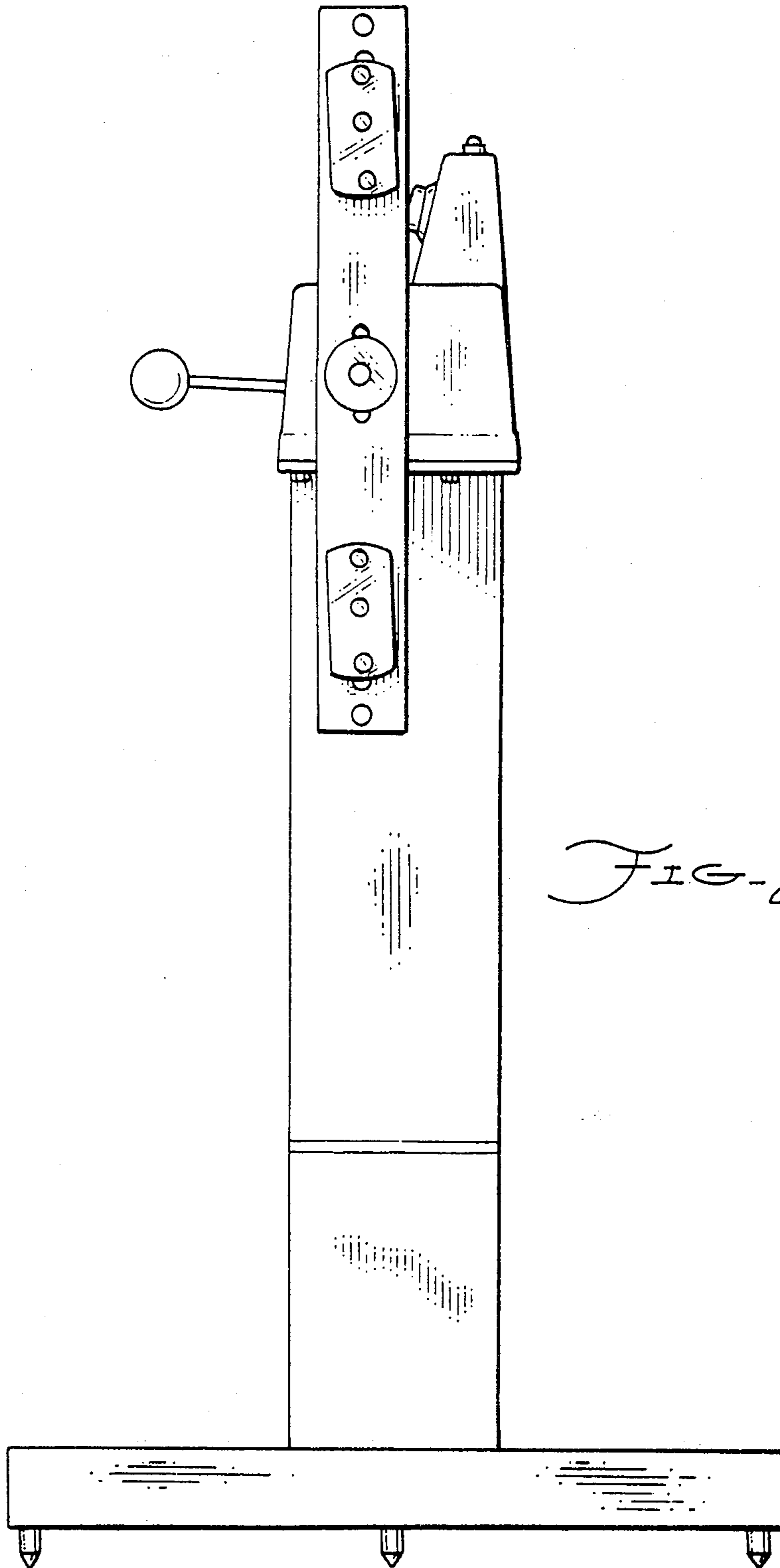


FIG. 2.

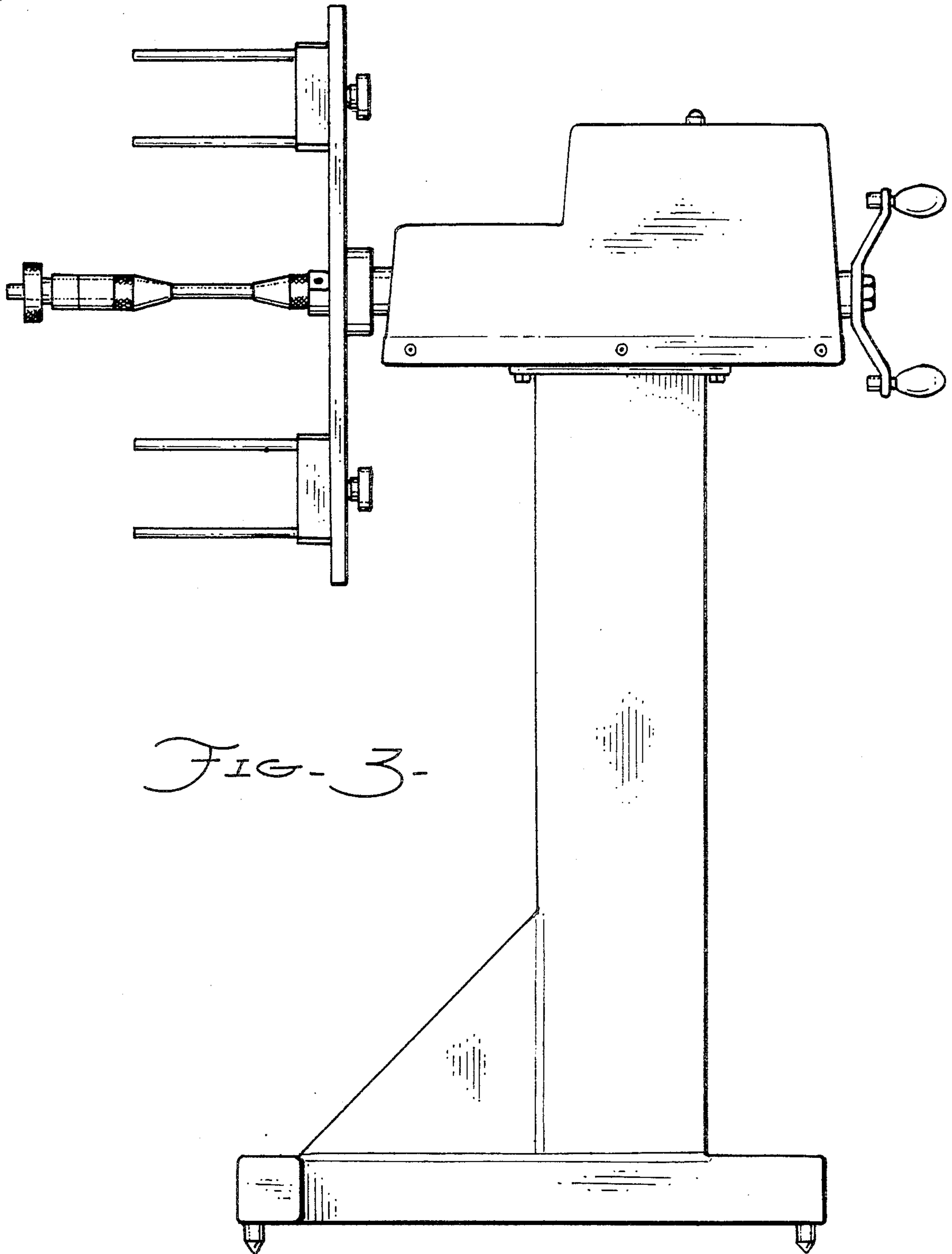


FIG-3-

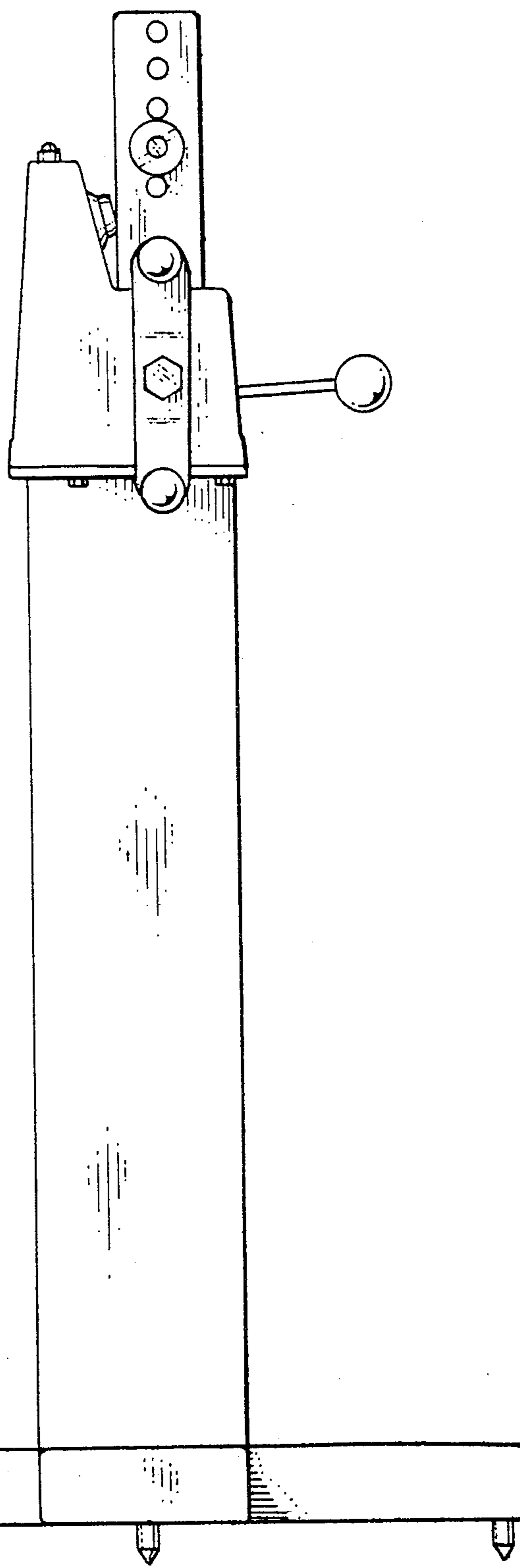


FIG. 4-

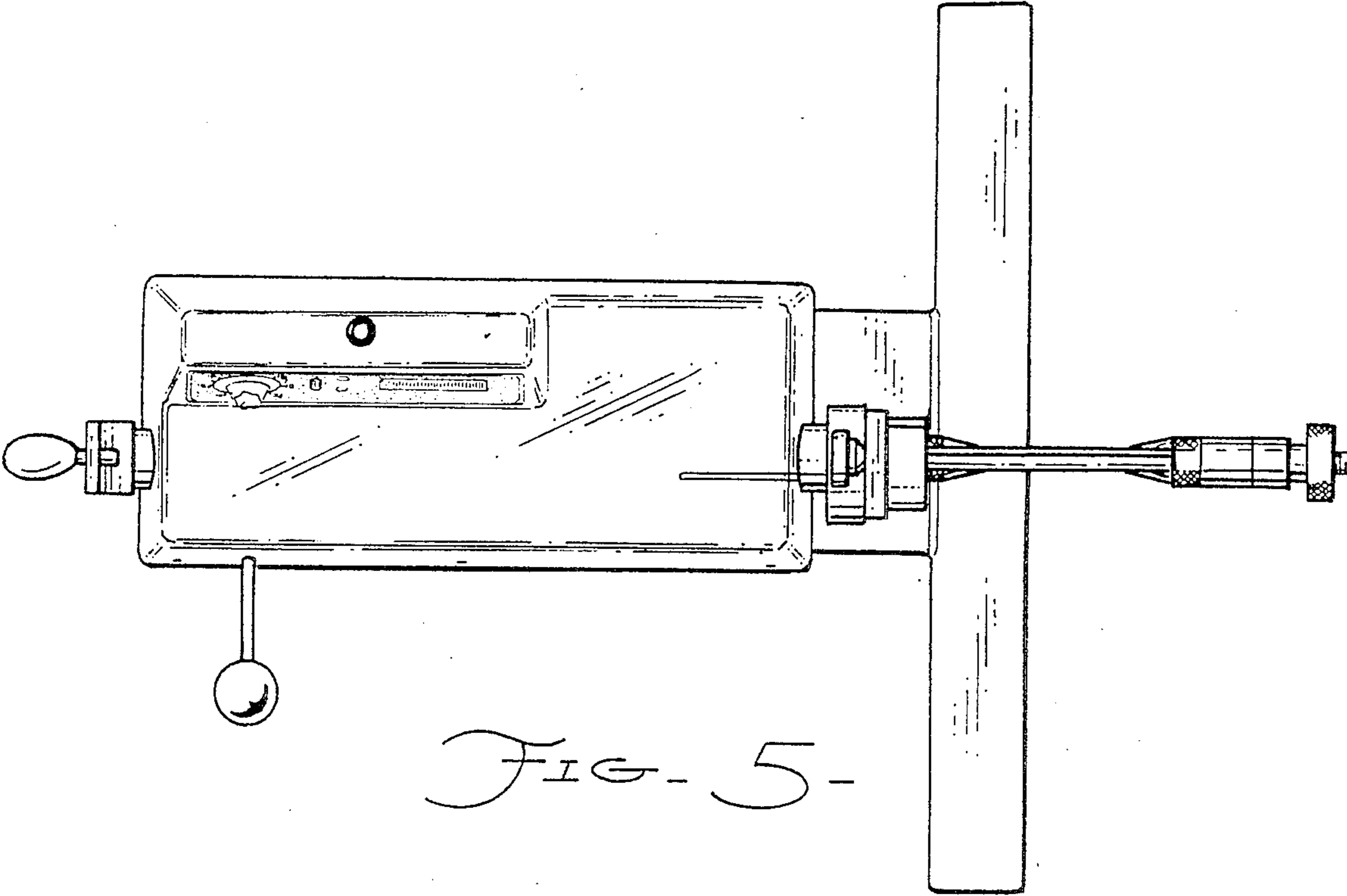


FIG. 5-

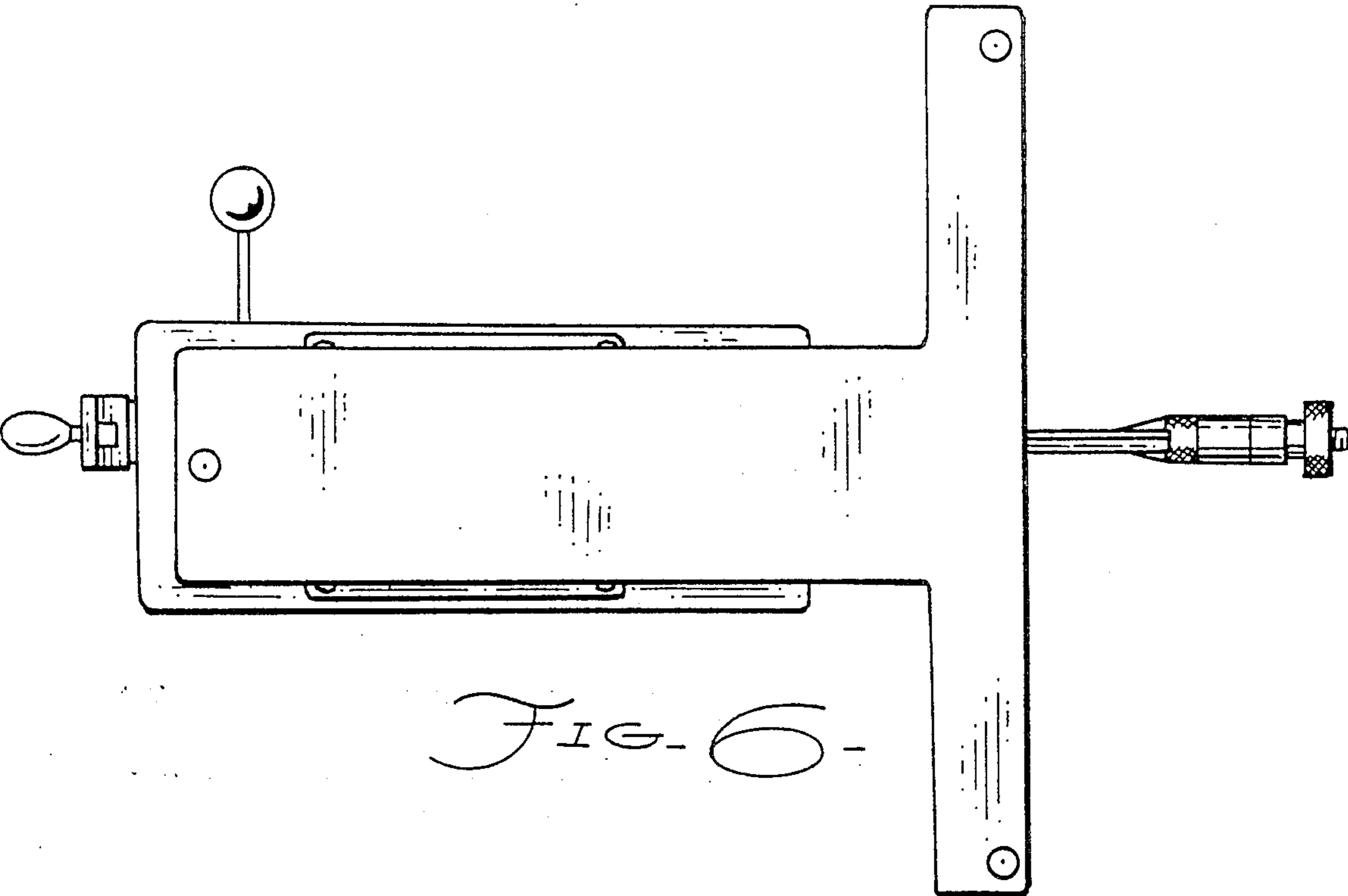


FIG. 6-

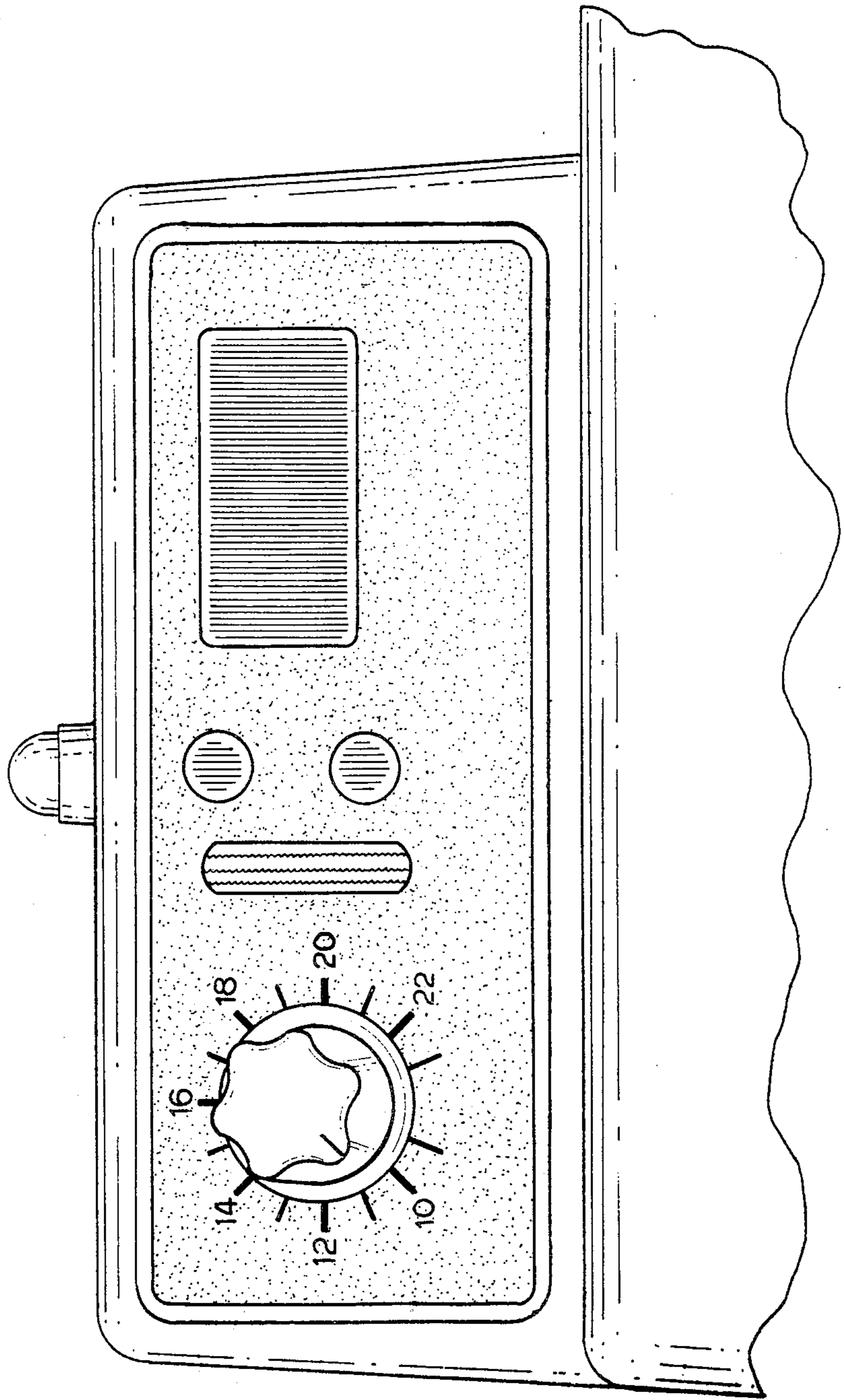


FIG-1